



US00D871684S

(12) **United States Design Patent**
Searvogel

(10) **Patent No.:** **US D871,684 S**

(45) **Date of Patent:** **** Dec. 31, 2019**

(54) **DOG COLLAR WITH INTERCHANGEABLE ORNAMENTATION**

(71) Applicant: **Breanna Searvogel**, Oshkosh, WI (US)

(72) Inventor: **Breanna Searvogel**, Oshkosh, WI (US)

(**) Term: **15 Years**

(21) Appl. No.: **29/640,828**

(22) Filed: **Mar. 16, 2018**

(51) **LOC (12) Cl.** **30-04**

(52) **U.S. Cl.**
USPC **D30/152**

(58) **Field of Classification Search**
USPC D30/144, 145, 152; D11/3; D2/500
CPC A01K 27/001; A41D 27/08
See application file for complete search history.

(56) **References Cited**

U.S. PATENT DOCUMENTS

D110,162 S *	6/1938	Wyner	D2/500
D117,724 S *	11/1939	Steinberg	D2/500
D179,831 S *	3/1957	Young	D2/500
3,260,292 A *	7/1966	Costello	A41D 23/00 2/200.3
D255,016 S *	5/1980	Hofman	D11/3
4,468,818 A *	9/1984	Flannery	A42B 1/004 2/173
D309,212 S *	7/1990	Maletsky	D2/602
D327,339 S *	6/1992	Rasmussen	D2/501
D349,782 S *	8/1994	Cole	D24/110.1
5,467,743 A *	11/1995	Doose	A01K 27/001 119/858
D381,786 S *	8/1997	Arakawa	D2/605
6,032,292 A *	3/2000	Wood	A41D 23/00 2/206
D423,150 S *	4/2000	Vignere	D30/145
D425,263 S *	5/2000	Hanada	D30/145

6,209,140 B1 *	4/2001	Ebeling	A01K 13/006 119/792
6,523,182 B1 *	2/2003	Brawner	A01K 13/006 2/207
D490,193 S *	5/2004	D'Anza	D30/144

(Continued)

OTHER PUBLICATIONS

“Make a Dog Collar Slide.” Found online Apr. 22, 2019 at www.instructables.com. Page archived Apr. 13, 2017. Retrieved from URL: <https://web.archive.org/web/20170413225727/https://www.instructables.com/id/Make-a-Dog-Bandana-Collar-Slide/> (Year: 2017).*

(Continued)

Primary Examiner — Mary Ann Calabrese
Assistant Examiner — Katelin G Kloberg
(74) *Attorney, Agent, or Firm* — Quickpatents, LLC;
Kevin Prince

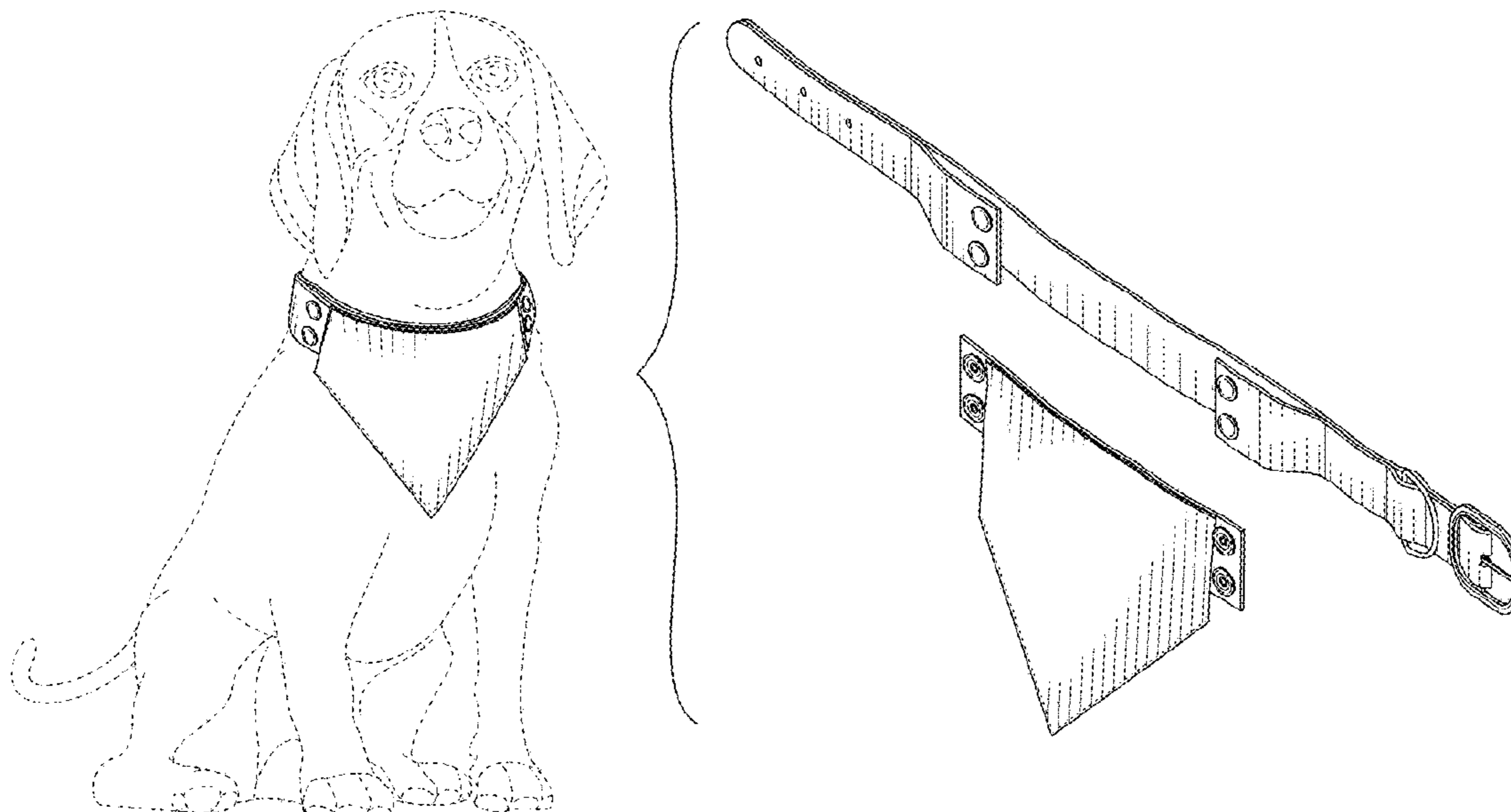
(57) **CLAIM**

I claim the ornamental design for a dog collar with interchangeable ornamentation, as shown and described.

DESCRIPTION

FIG. 1 is a perspective view of a dog collar with interchangeable ornamentation, showing my new design; FIG. 2 is an exploded perspective view thereof; FIG. 3 is an exploded front elevation view thereof; FIG. 4 is an exploded rear elevation view thereof; FIG. 5 is an exploded top plan view thereof; FIG. 6 is an exploded bottom plan view thereof; FIG. 7 is an exploded right side elevation view thereof; and, FIG. 8 is an exploded left side elevation view thereof. In FIG. 1, the broken lines depicting a pet represent environmental subject matter that forms no part of the claimed design. All broken lines depicted on the surface on the article represent stitching and are considered part of the claimed design.

1 Claim, 5 Drawing Sheets



(56)

References Cited

U.S. PATENT DOCUMENTS

D515,278 S * 2/2006 Jendrucko D2/500
 D542,481 S * 5/2007 Katz D30/145
 7,427,417 B2 * 9/2008 Jendrucko A61K 8/02
 424/725
 D615,712 S * 5/2010 Peterson D30/145
 D631,209 S * 1/2011 Gazaway D30/145
 D672,453 S * 12/2012 Lannan D24/110.1
 D688,850 S * 9/2013 Parker D2/500
 D721,221 S * 1/2015 Frink, Sr. D2/605
 D721,471 S * 1/2015 Feinberg D2/861
 D746,556 S * 1/2016 Vifquain D2/881
 D814,748 S * 4/2018 Davidson D2/861
 2001/0032597 A1 * 10/2001 Denesuk A01K 1/0152
 119/706
 2002/0092479 A1 * 7/2002 Landenberger A01K 27/006
 119/858
 2005/0229291 A1 * 10/2005 Gendall A41D 23/00
 2/206

2010/0006039 A1 * 1/2010 Edwards A01K 13/006
 119/850
 2011/0277704 A1 * 11/2011 Shafer A01K 13/006
 119/863
 2012/0204326 A1 * 8/2012 Chang A41D 13/11
 2/410
 2016/0183497 A1 * 6/2016 Dewey A01K 27/008
 119/858
 2019/0053468 A1 * 2/2019 Montierth A01K 27/006

OTHER PUBLICATIONS

“The Creativehome Dog Cat Collars Leather for Small Pet.” Found online Apr. 22, 2019 at www.amazon.com. Product reviewed Dec. 10, 2017. Retrieved from URL: <https://tinyurl.com/y3ktrwfj> (Year: 2017).*

“DHARF Dog Bandanas.” Found online Apr. 22, 2019 at www.dharf.com. Page archived Mar. 3, 2017. Retrieved from URL: <https://web.archive.org/web/20170303093749/https://dharf.com/collections/designer-dog-bandanas> (Year: 2017).*

* cited by examiner

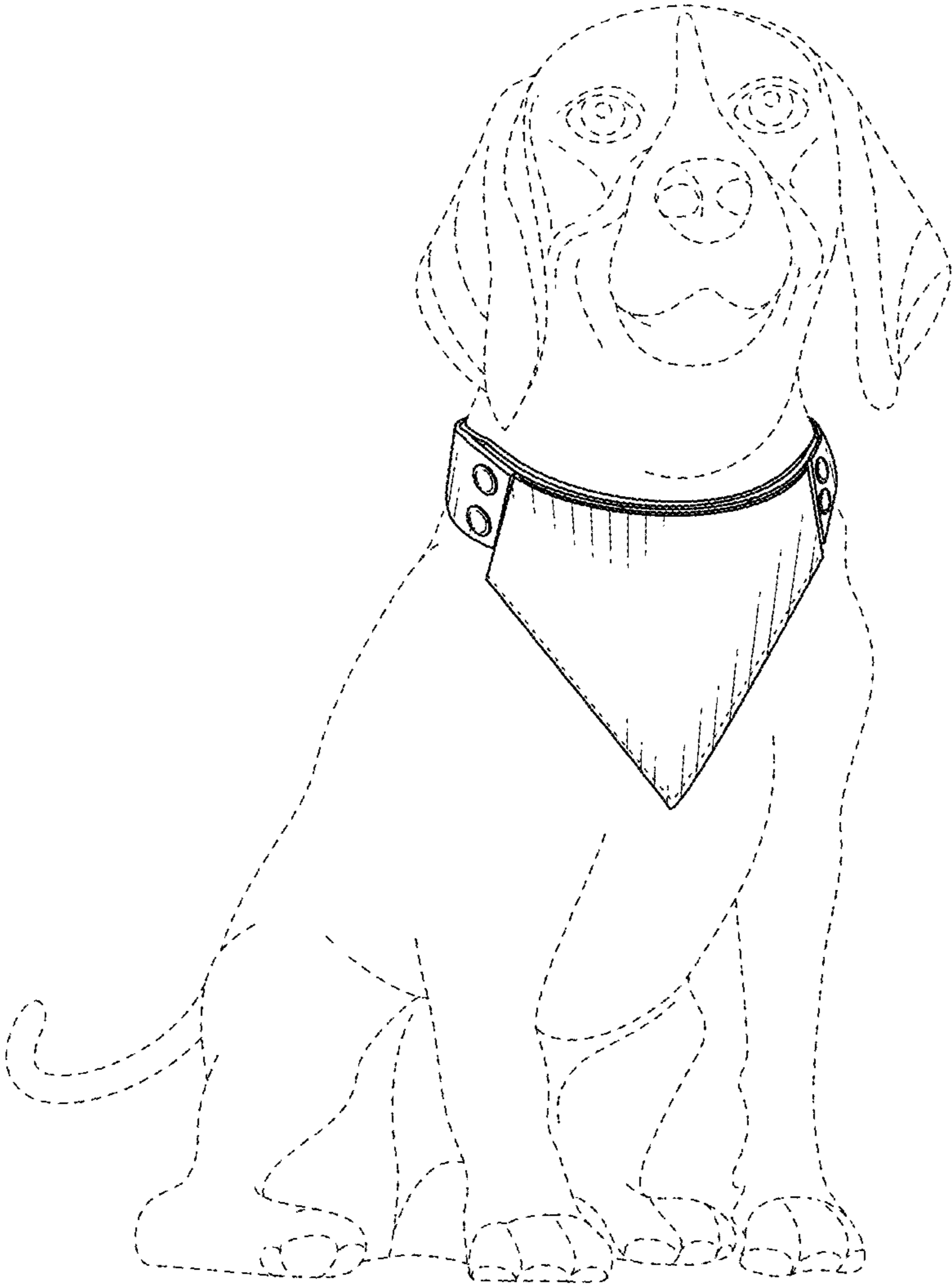


FIG. 1

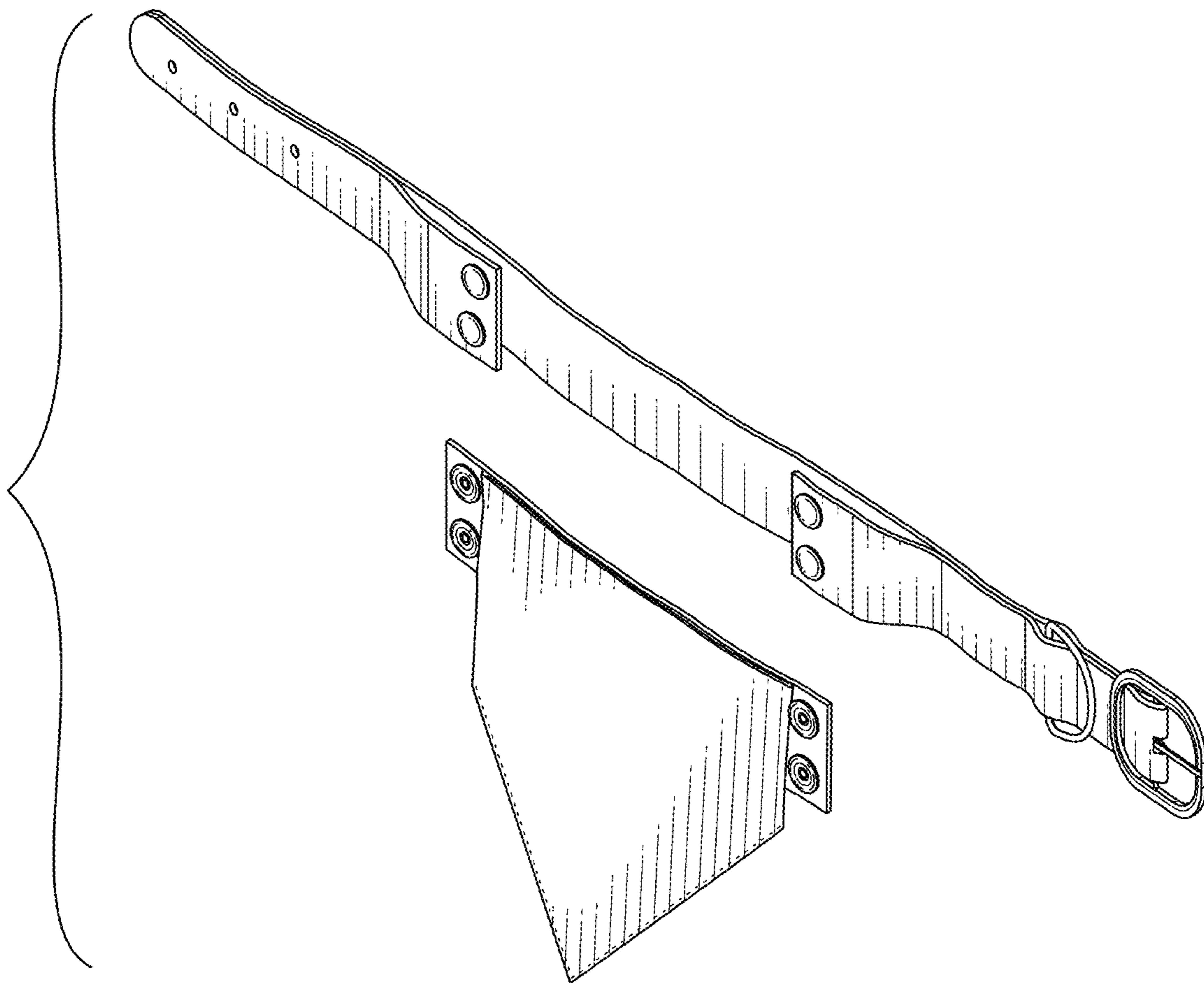


FIG. 2

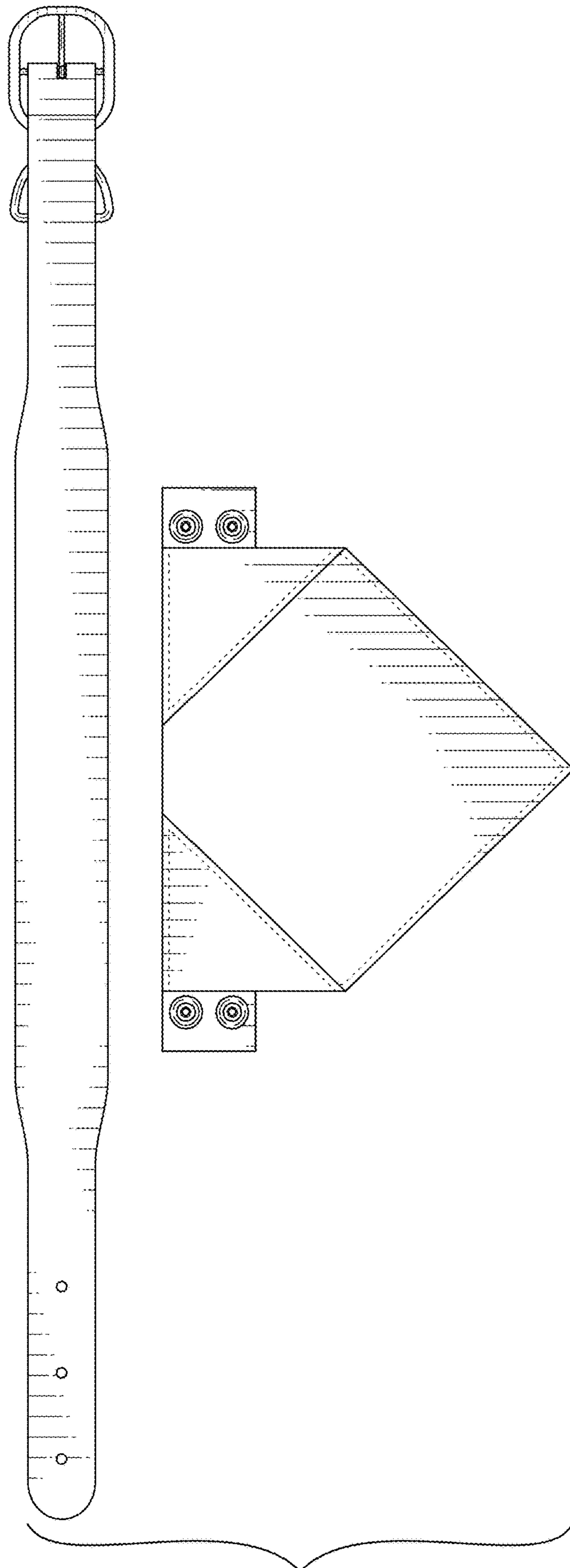


FIG. 3

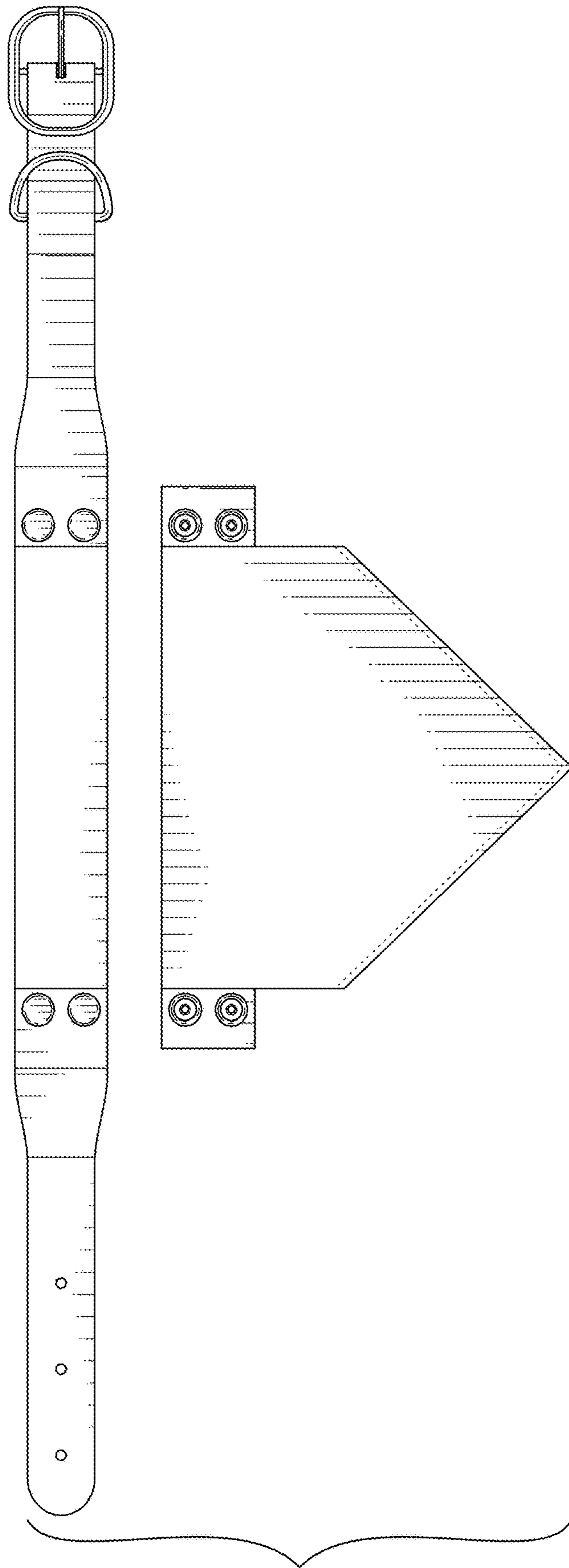


FIG. 4

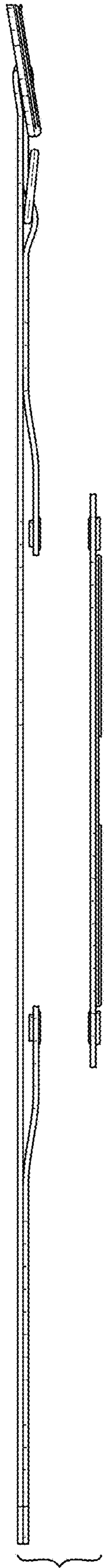


FIG. 5

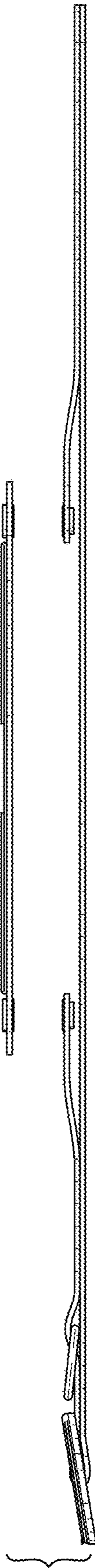


FIG. 6

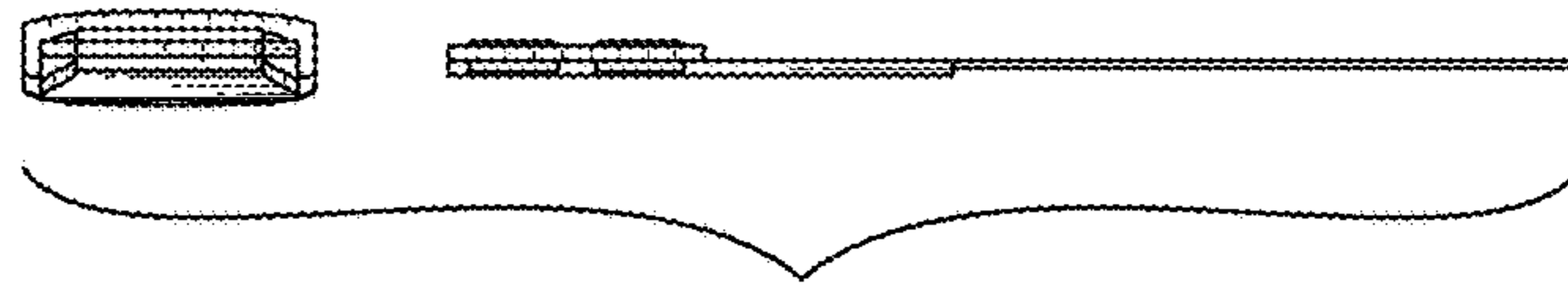


FIG. 8

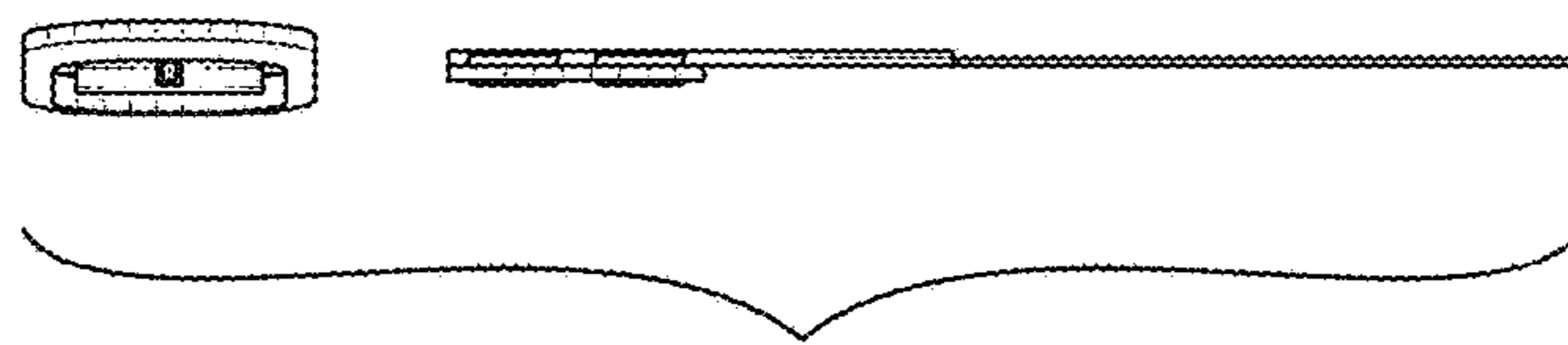


FIG. 7