

US00D871682S

(12) **United States Design Patent** (10) **Patent No.:** **US D871,682 S**
MacNeil et al. (45) **Date of Patent:** **** Dec. 31, 2019**

(54) **SET OF PET RAMPS AND CENTRAL PIER**

- (71) Applicant: **MacNeil IP LLC**, Bolingbrook, IL (US)
- (72) Inventors: **David F. MacNeil**, Fort Lauderdale, FL (US); **Frederick W. Masanek, Jr.**, Barrington, IL (US); **David S. Iverson**, Oak Brook, IL (US)
- (73) Assignee: **MACNEIL IP LLC**, Bolingbrook, IL (US)
- (**) Term: **15 Years**
- (21) Appl. No.: **29/624,054**
- (22) Filed: **Oct. 30, 2017**

Related U.S. Application Data

- (62) Division of application No. 29/560,231, filed on Apr. 4, 2016, now abandoned.
- (51) **LOC (12) Cl.** **30-02**
- (52) **U.S. Cl.**
USPC **D30/119**
- (58) **Field of Classification Search**
USPC D30/108, 109, 113, 114, 115, 116, 117, D30/118, 119, 120; D25/152, 153, 154, D25/155, 156
CPC A01K 1/035
See application file for complete search history.

References Cited

U.S. PATENT DOCUMENTS

- 322,872 A 12/1991 Holbrook
- D322,872 S * 12/1991 Holbrook 119/28.5
- 5,213,060 A * 5/1993 Sloan A01K 1/0353 119/28.5

(Continued)

OTHER PUBLICATIONS

“Pet Gear Stramp Stair and Ramp Combination”. Found online Nov. 15, 2018 at amazon.com. Page dated Feb. 14, 2012. Retrieved from https://www.amazon.com/Pet-Gear-Step-Combination-supertraX/dp/B00618LLGK/ref=cm_cr_arp_d_product_top?ie=UTF8.*

(Continued)

Primary Examiner — Kendra Leslie Hamilton
(74) *Attorney, Agent, or Firm* — Perkins IP Law Group LLC; Jefferson Perkins

(57) **CLAIM**

We claim the ornamental design for a set of pet ramps and central pier, as shown and described.

DESCRIPTION

FIG. 1 is a top front perspective view of a set of pet ramps and central pier, showing our new design in a first configuration of use;

FIG. 2 is a top front perspective view of one pet ramp and the central pier of our design, shown exploded for clarity of disclosure and in a second configuration of use, the other pet ramp of the set being identical to the one illustrated;

FIG. 3 is a side and front perspective view of one pet ramp of our design;

FIG. 4 is a top plan view of the set of pet ramps and central pier shown in FIG. 1;

FIG. 5 is a left side elevation view thereof, a right side elevation view thereof being a mirror image of the left side elevation view;

FIG. 6 is a front elevation view thereof;

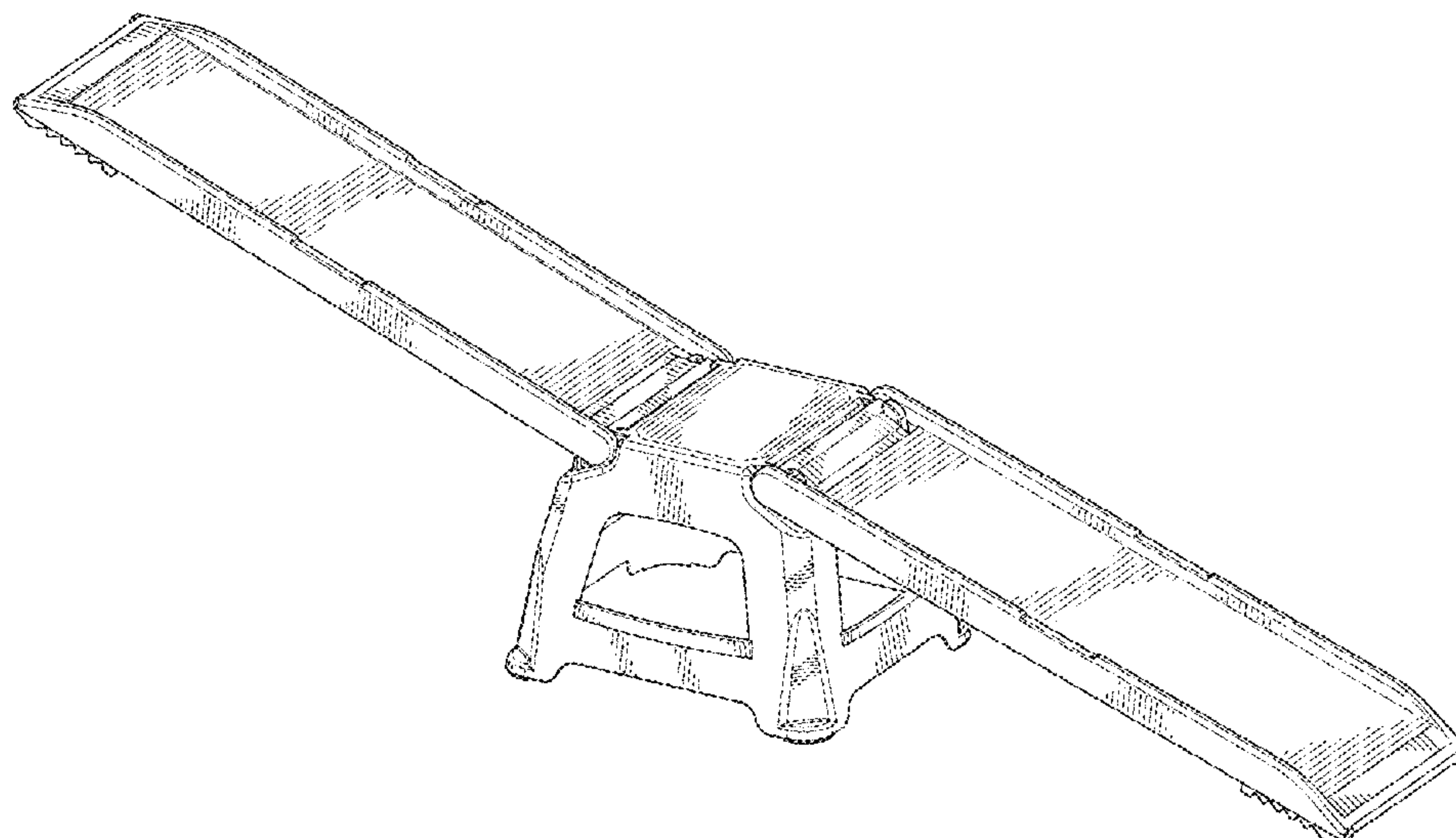
FIG. 7 is a rear elevation view of the central pier of our design;

FIG. 8 is a top front perspective detail view of FIG. 2, shown enlarged for clarity of disclosure; and,

FIG. 9 is a top front perspective detail view of FIG. 3, shown enlarged for clarity of disclosure.

The bottoms of the pier and of the ramps are unadorned and form no portion of the claimed design.

1 Claim, 7 Drawing Sheets



(56)

References Cited

U.S. PATENT DOCUMENTS

353,029	A	11/1994	Northrup et al.	
D353,029	S *	11/1994	Northrop	D30/108
376,874	A	12/1996	Reyes, III	
376,909	A	12/1996	Dickinson et al.	
382,676	A	8/1997	Holbrook	
D382,676	S *	8/1997	Holbrook	D34/32
412,224	A	7/1999	Adler	
D412,224	S *	7/1999	Adler	D30/119
6,119,634	A	9/2000	Myrick	
6,267,082	B1 *	7/2001	Naragon	A01K 1/035 119/849
6,318,294	B1	11/2001	Richmond et al.	
6,516,752	B2 *	2/2003	Batterton	A01K 13/001 119/650
6,886,660	B2	5/2005	Sapatova	
558,473	A1	1/2008	Mendenhall	
D558,473	S *	1/2008	Mendenhall	D6/349
D599,062	S *	8/2009	Jakubowski	D30/199
640,015	A1	6/2011	Birck	
D640,015	S *	6/2011	Birck	D30/119
736,867	A1	8/2015	Glickfield	
D736,867	S *	8/2015	Glickfield	D21/671
756,574	A1	5/2016	Jakubowski et al.	
9,694,997	B2 *	7/2017	Lopez	B60P 1/43
9,775,326	B1 *	10/2017	MacNeil	A01K 1/035
2005/0115522	A1	6/2005	Bishop	
2016/0302381	A1	10/2016	Asposito	

OTHER PUBLICATIONS

“Internet’s Best Small Adjustable Pet Ramp”. Found online Nov. 15, 2018 at amazon.com. Page dated Oct. 24, 2017. Retrieved from https://www.amazon.com/Internets-Best-Adjustable-Decorative-Friendly/dp/B076H98PRK/ref=cm_cr_arp_d_product_top?ie=UTF8.*

“Bowser’s Cat Tower”. Found online Dec. 14, 2018 at amazon.com. Page dated May 5, 2011. Retrieved from https://www.amazon.com/Browsers-BOW-095-Cat-Tower/dp/B00470VM06/ref=cm_cr_arp_d_product_top?ie=UTF8.*

“JW Pet Walk Up Small Animal Barn.” Found online Apr. 6, 2017 at amazon.com. Page dated Dec. 23, 2011. Retrieved from https://www.amazon.com/JW-Pet-Company-Animal-Assorted/dp/B003NTJOSS/ref=cm_cr_arp_d_product_top?ie=UTF8.

“Kaytee Woodland Get-A-Way Small Mouse House.” Found online Apr. 6, 2017 at amazon.com. Page dated Feb. 5, 2010. Retrieved from https://www.amazon.com/Kaytee-Woodland-Small-Mouse-House/dp/B0009WMQ7Y/ref=cm_cr_arp_d_product_top?ie=UTF8.

“Paw Climbers Pet Ramp for Beds.” Found online Jan. 19, 2017 at sears.com. Page dated Sep. 24, 2014. Retrieved from <http://web.archive.org/web/20140924003141/http://www.sears.com/paw-climbers-pet-ramp-for-beds/p-SPM9589744625?>.

“Low Platform Pet Ramp.” Found online Jan. 19, 2017 at petclassics.com. Page dated Sep. 17, 2011. Retrieved from <http://web.archive.org/web/20110917150034/http://www.petclassics.com/Sofa-Ramps-For-Pets/low-plafform-pet-ramp.74.html>.

* cited by examiner

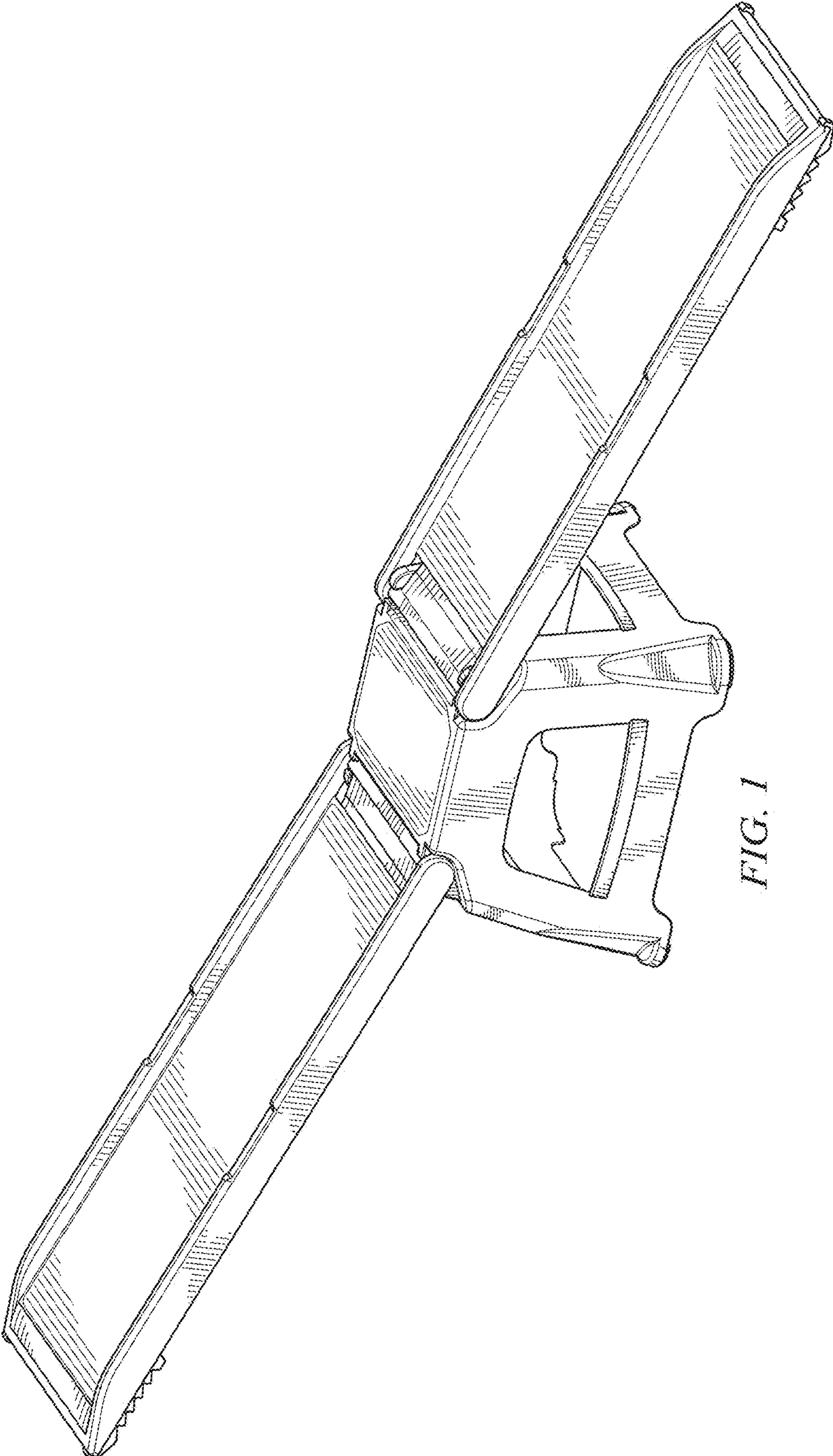
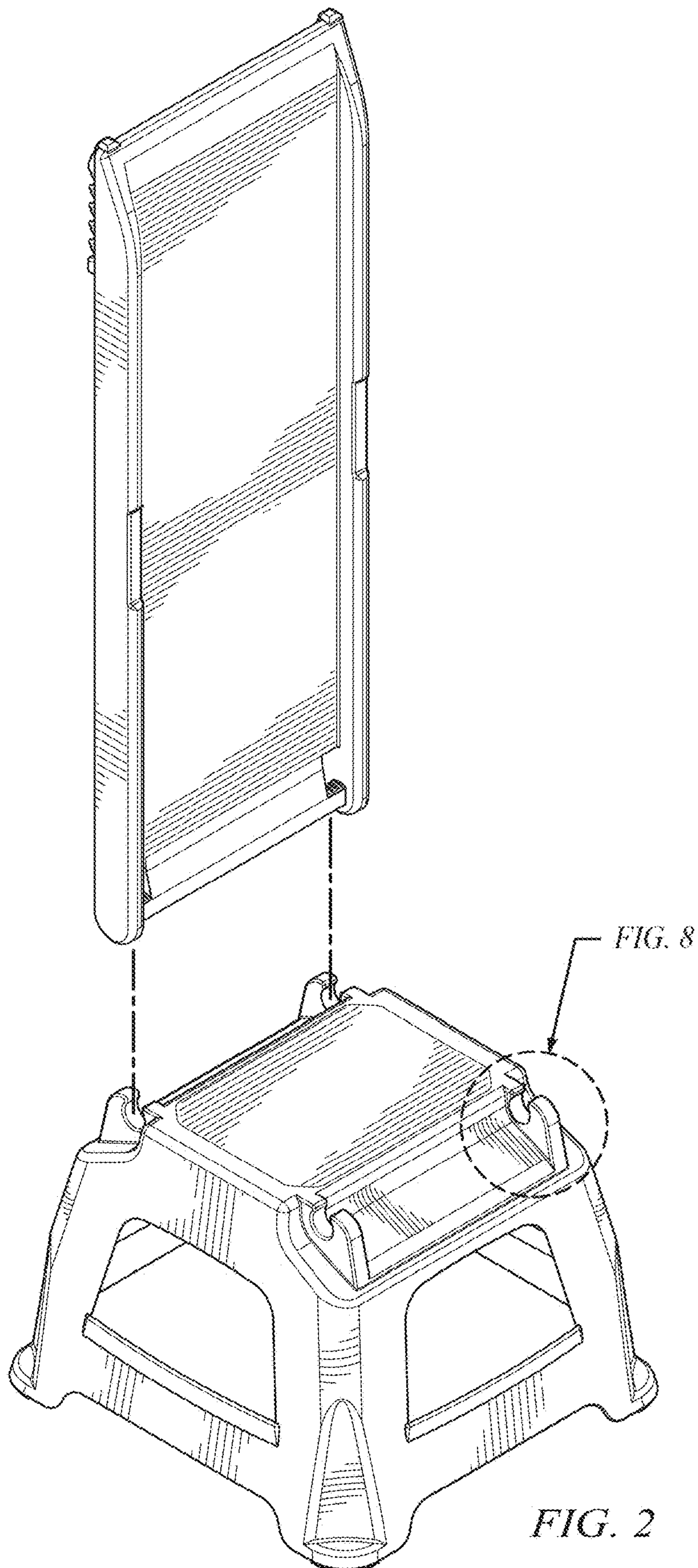


FIG. 1



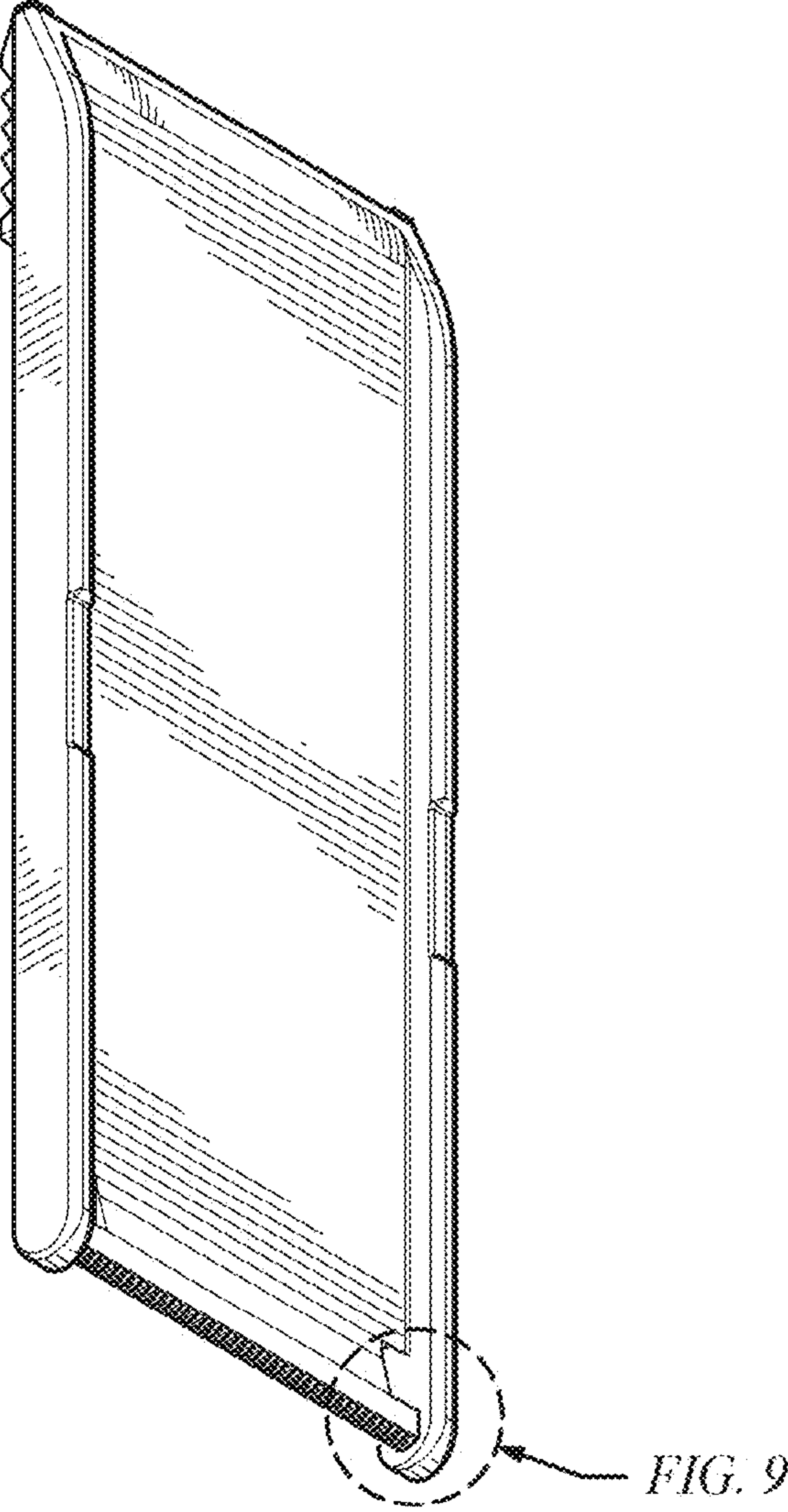


FIG. 3

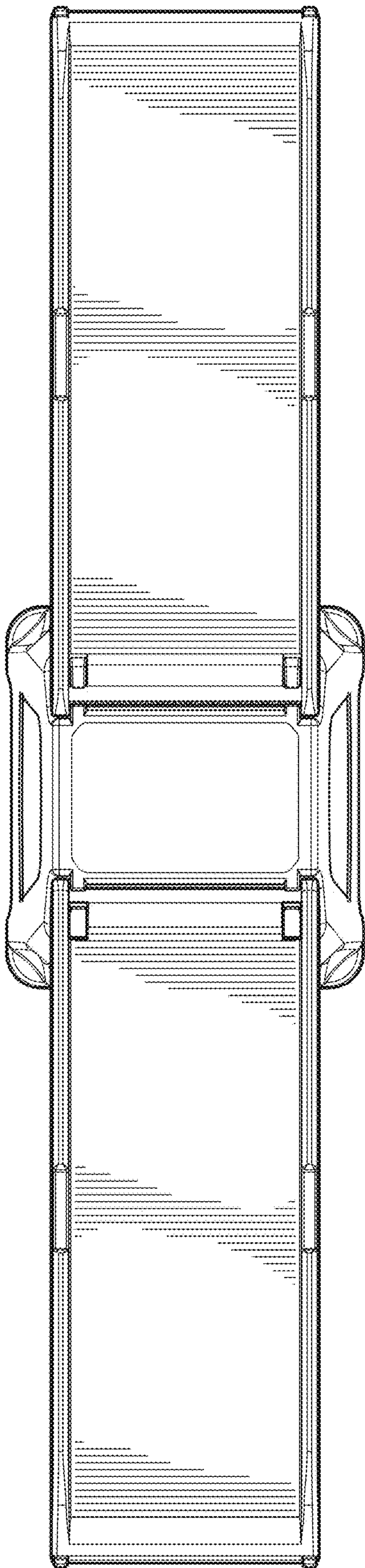


FIG. 4

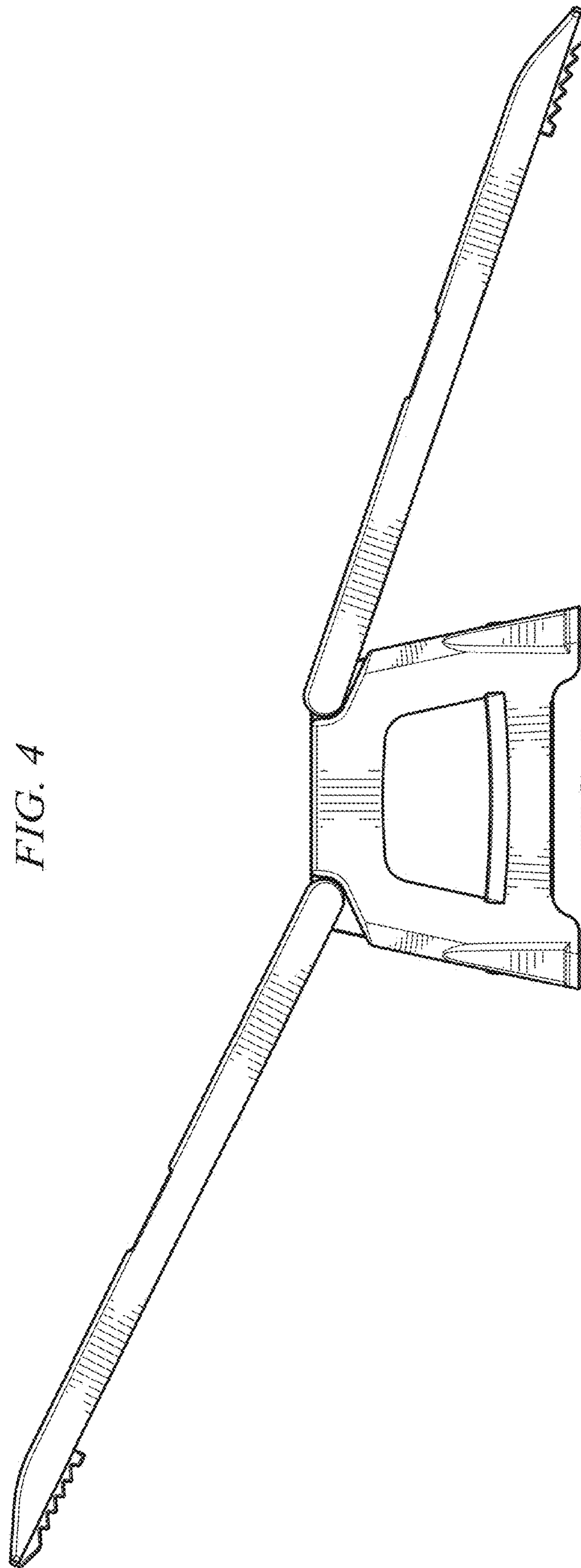


FIG. 5

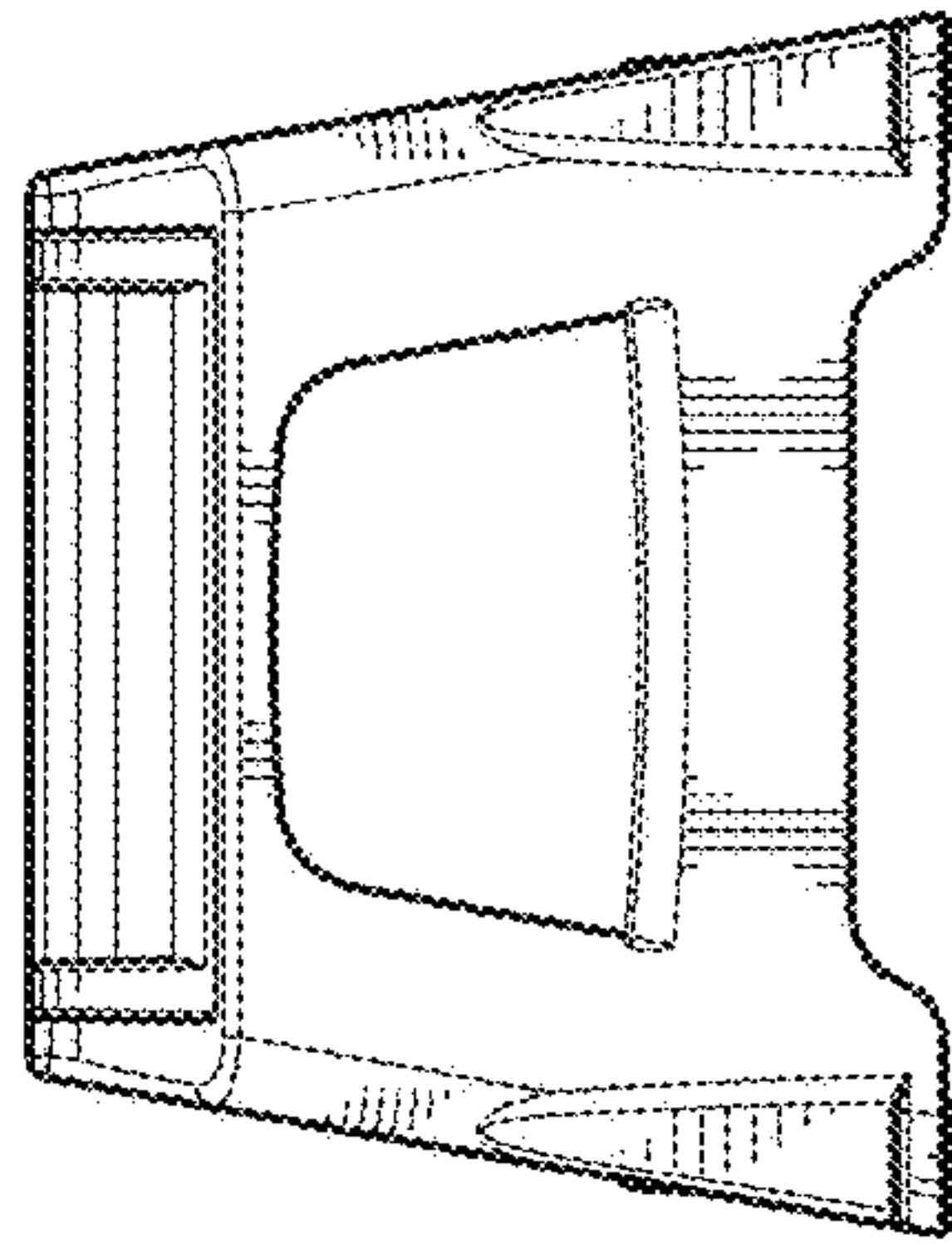


FIG. 7

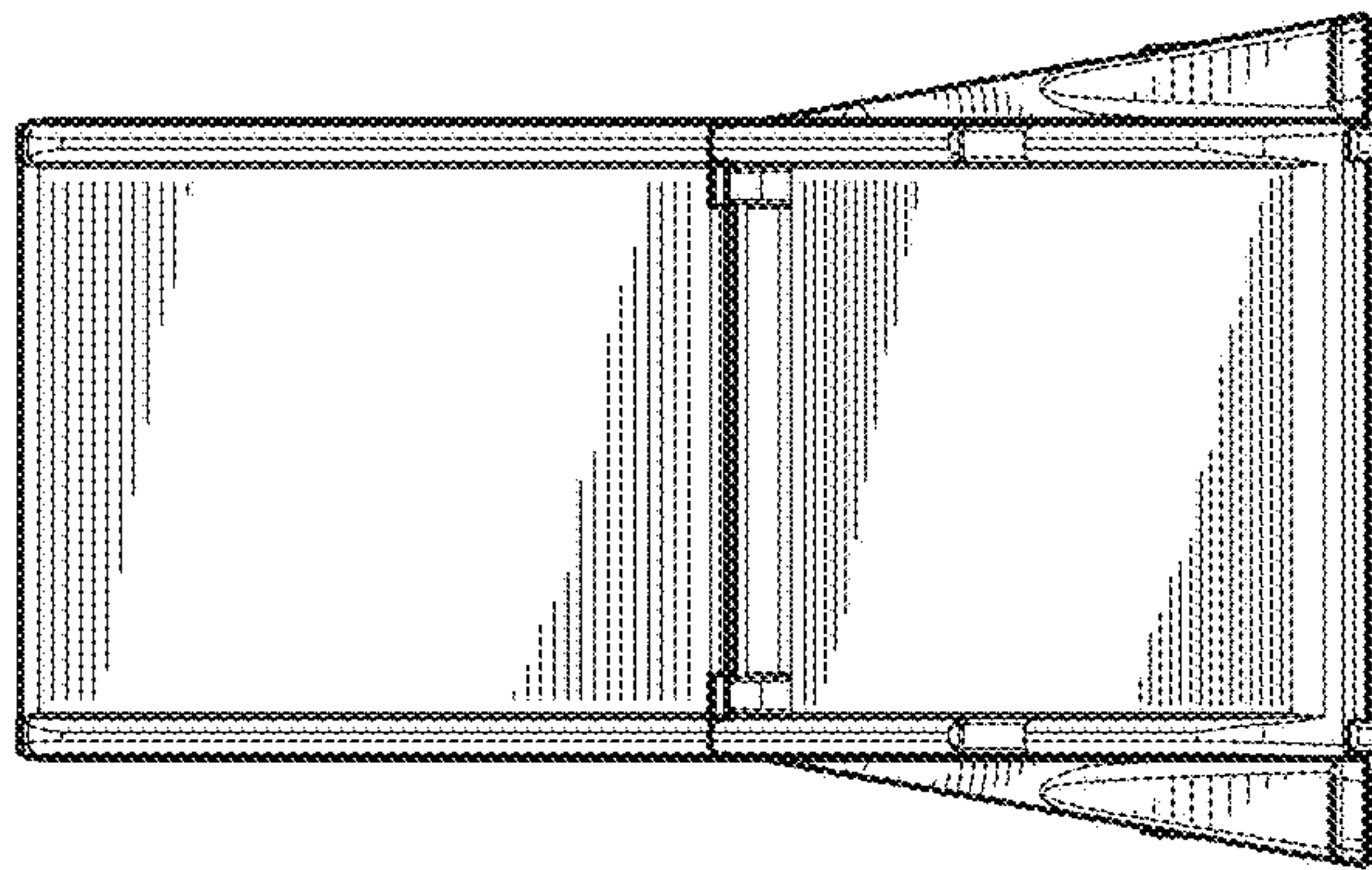


FIG. 6

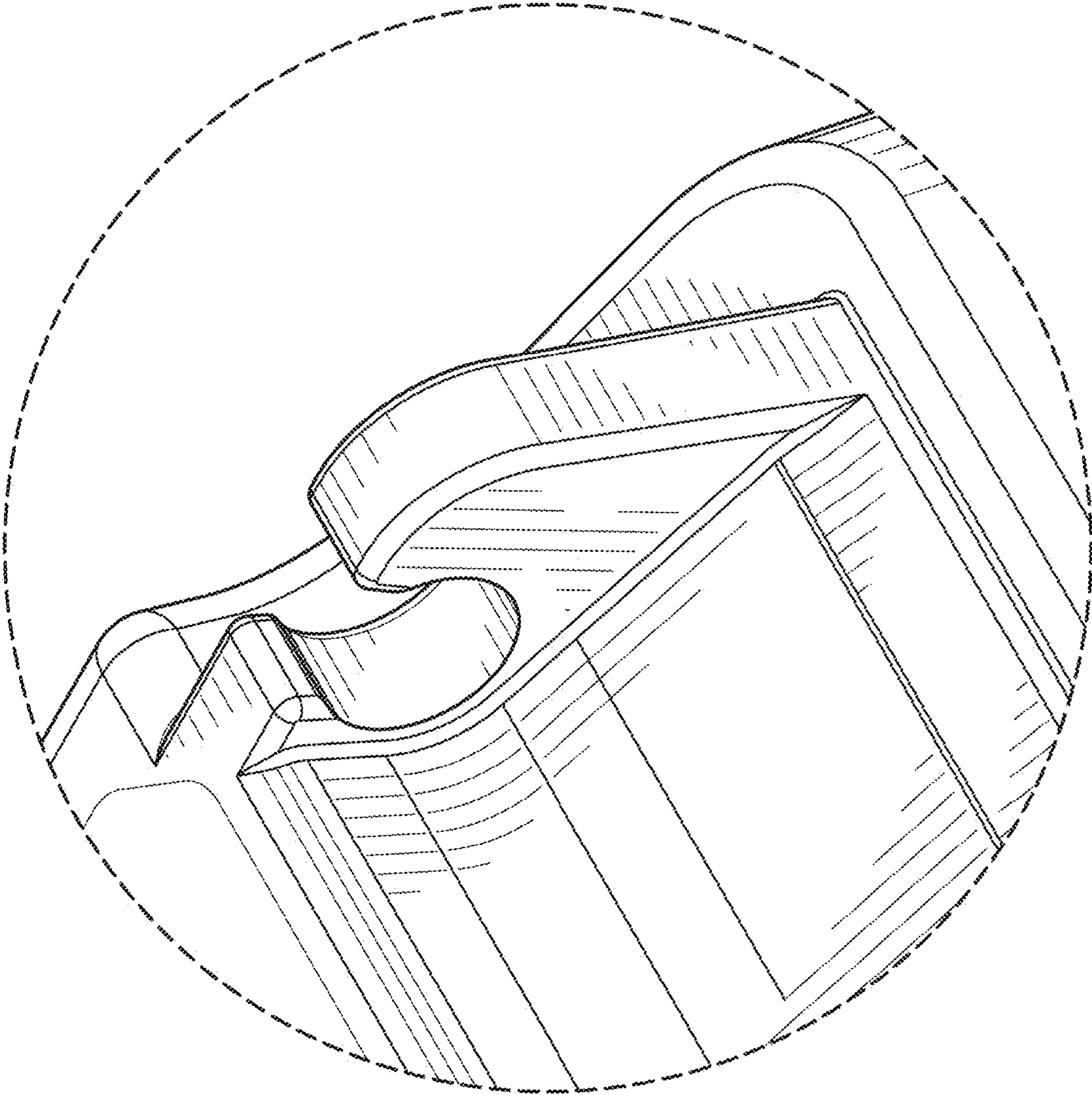


FIG. 8

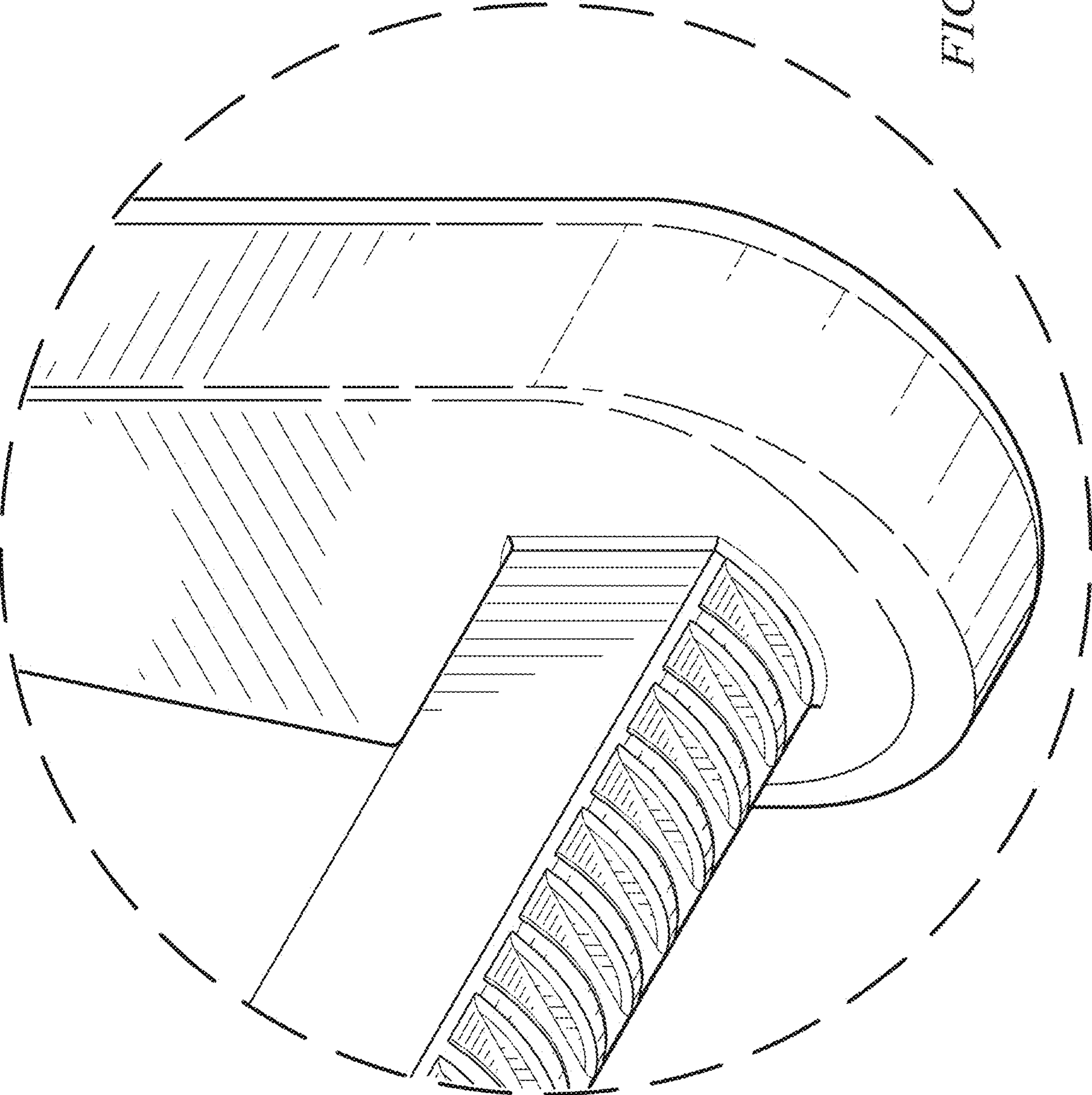


FIG. 9