



US00D871681S

(12) **United States Design Patent** (10) **Patent No.:** **US D871,681 S**  
**Tateishi et al.** (45) **Date of Patent:** **\*\* Dec. 31, 2019**

(54) **JOINT FOR FIRE EXTINGUISHING EQUIPMENT**

(71) Applicant: **SENJU SPRINKLER CO., LTD.**,  
Tokyo (JP)

(72) Inventors: **Yutaka Tateishi**, Tokyo (JP); **Shou Chiba**, Tokyo (JP)

(73) Assignee: **SENJU SPRINKLER CO., LTD.**,  
Adachi-Ku, Tokyo (JP)

(\*\*) Term: **15 Years**

(21) Appl. No.: **29/659,609**

(22) Filed: **Aug. 10, 2018**

(30) **Foreign Application Priority Data**

Feb. 14, 2018 (JP) ..... 2018-002930

(51) **LOC (12) Cl.** ..... **29-02**

(52) **U.S. Cl.**  
USPC ..... **D29/129**

(58) **Field of Classification Search**  
USPC ..... D23/355-369, 213, 214, 223, 224, 225,  
D23/231; D28/5, 6; 261/DIG. 17,  
261/DIG. 42, DIG. 65, DIG. 88, DIG. 89,  
261/DIG. 47, DIG. 55, DIG. 70; 392/356,  
392/390, 392, 394, 395; 239/34, 44, 53,  
239/55, 56, 326, 60, 308, 589; D9/687,  
D9/600, 695; D7/591; D29/125, 126,  
D29/129, 130; 169/7, 89; 222/210, 324  
CPC .. A62C 2/00; A62C 8/00; A62C 13/76; A62C  
13/64

See application file for complete search history.

(56) **References Cited**

U.S. PATENT DOCUMENTS

7,878,419 B2 \* 2/2011 Waddelow ..... A62C 31/05  
239/104  
D662,529 S \* 6/2012 Kirby ..... D29/129  
D782,620 S \* 3/2017 Becker ..... D23/259  
D841,124 S \* 2/2019 Haney ..... D23/214

FOREIGN PATENT DOCUMENTS

JP 1534550 S 10/2015  
JP 2016-165378 A 9/2016

\* cited by examiner

*Primary Examiner* — Randall H Gholson

(74) *Attorney, Agent, or Firm* — Buchanan Ingersoll &  
Rooney PC

(57) **CLAIM**

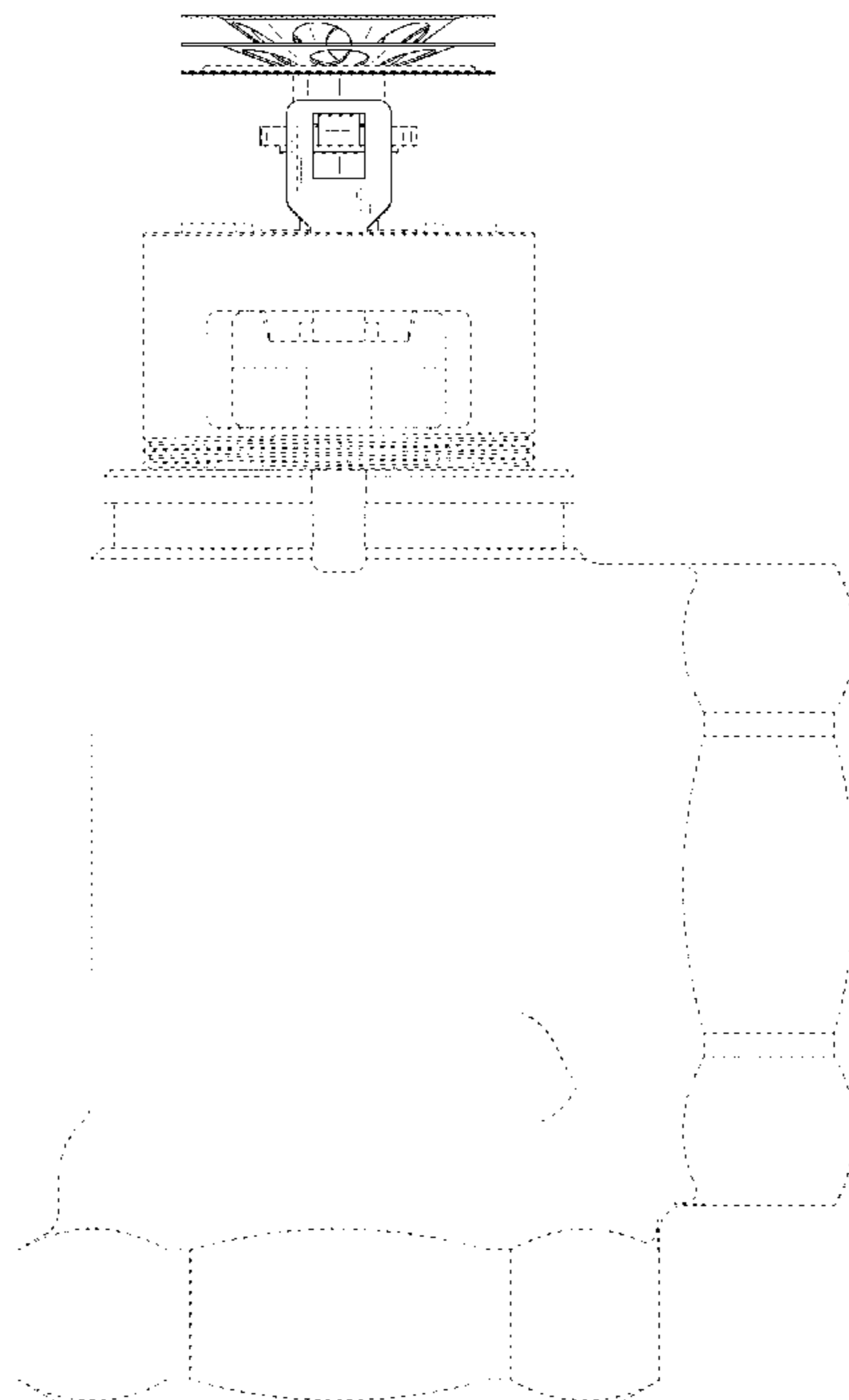
The ornamental design for a joint for fire extinguishing equipment, as shown and described.

**DESCRIPTION**

FIG. 1 is a front elevational view of a joint for fire extinguishing equipment showing our new design; a rear elevational view thereof being a same image;  
FIG. 2 is a right side elevational view thereof;  
FIG. 3 is a left side elevational view thereof;  
FIG. 4 is a top plan view thereof;  
FIG. 5 is a bottom plan view thereof; and,  
FIG. 6 is a perspective view showing the front, top and right side.

The broken lines in the drawings show unclaimed subject matter only and form no part of the claimed design.

**1 Claim, 6 Drawing Sheets**



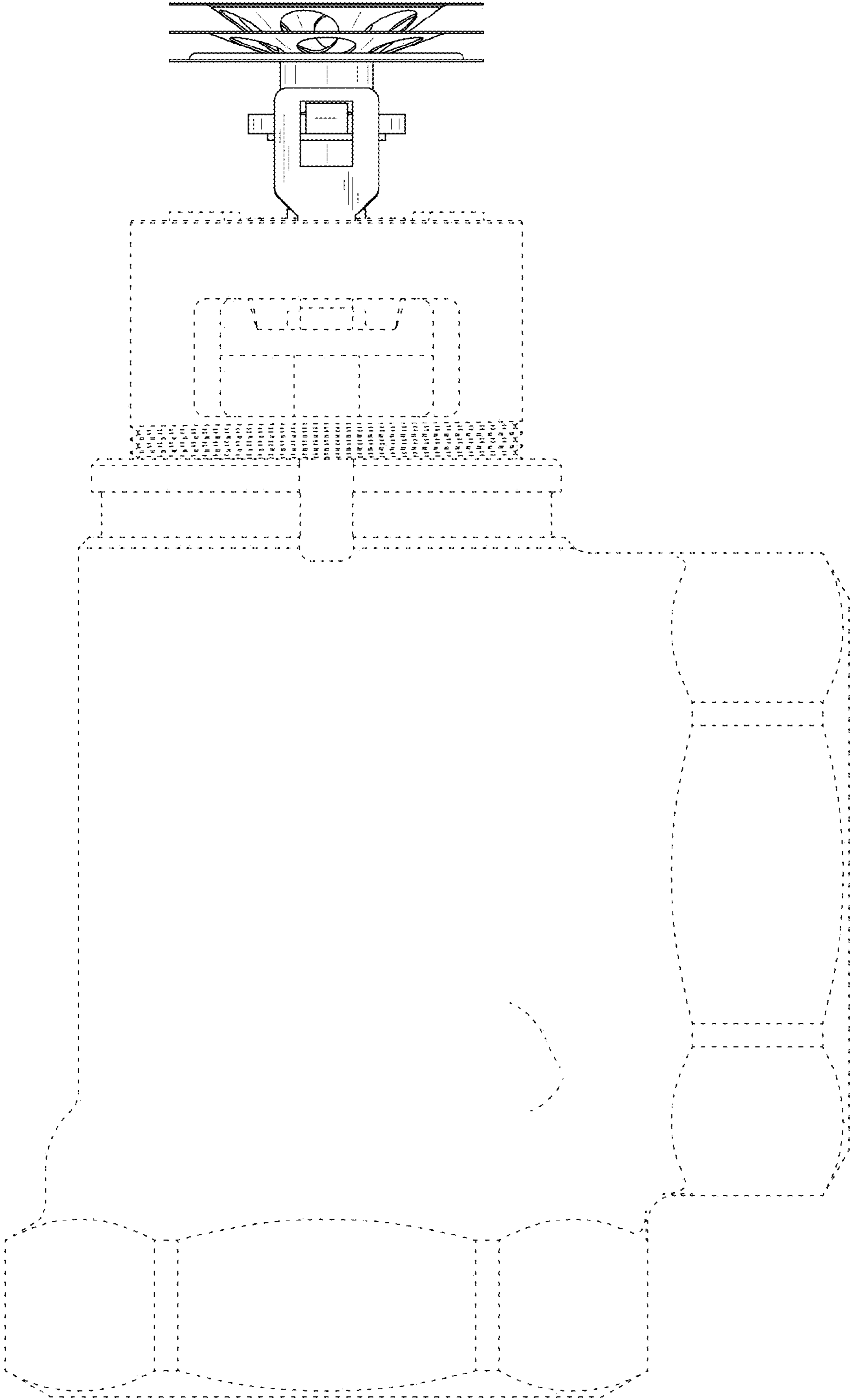


FIG. 1

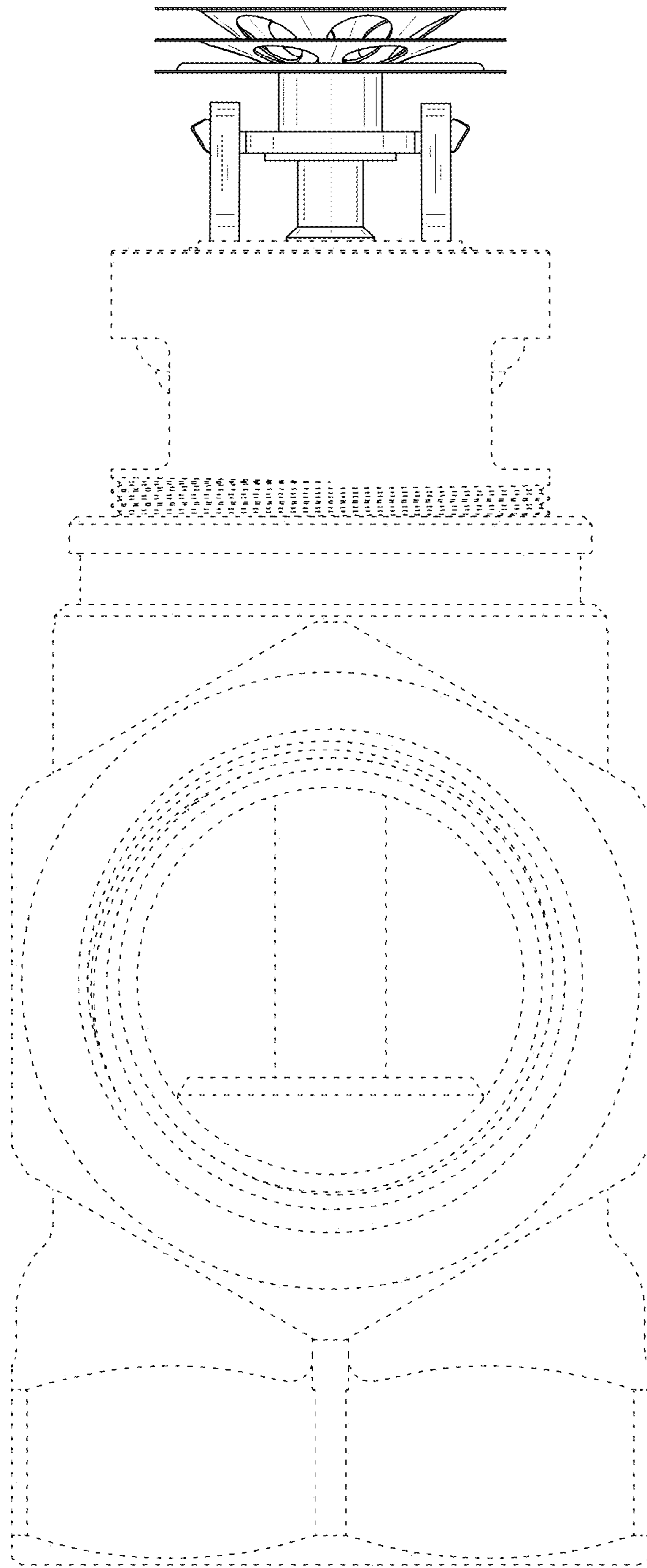


FIG. 2

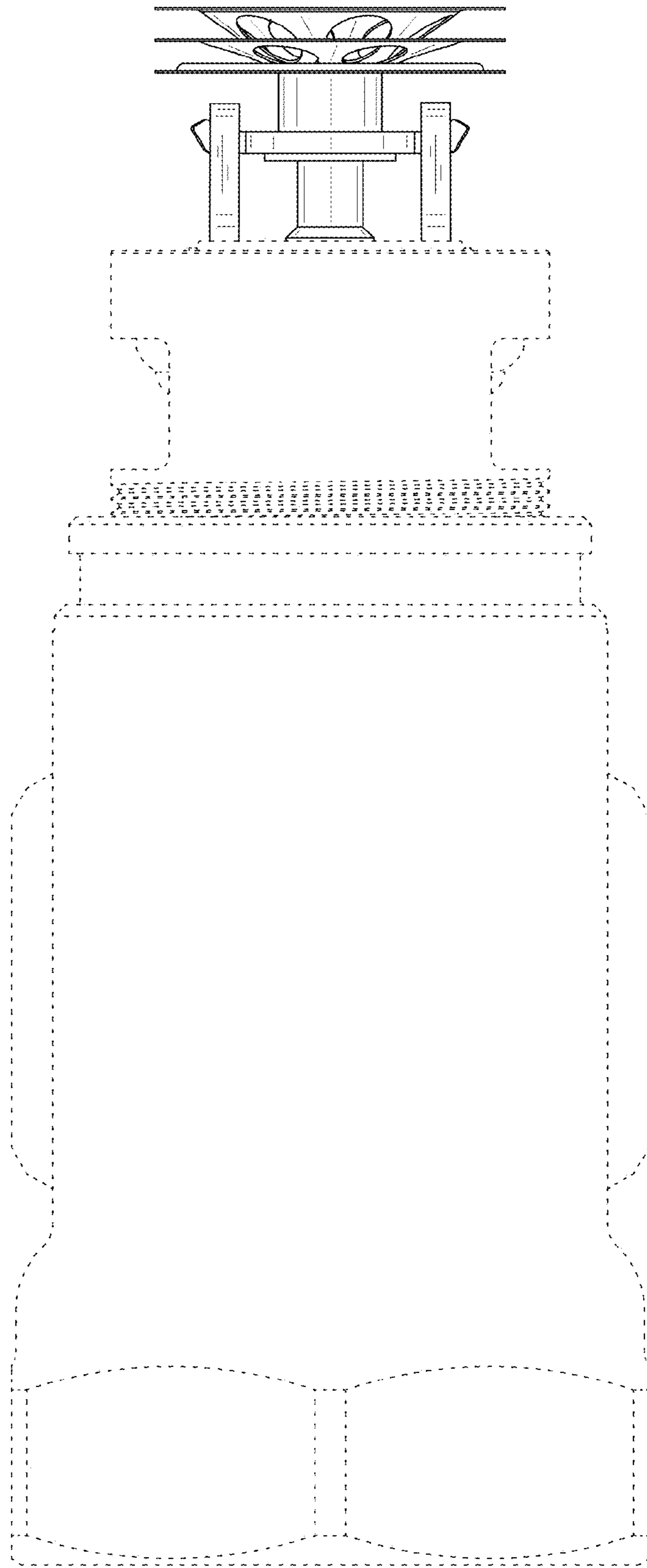


FIG. 3

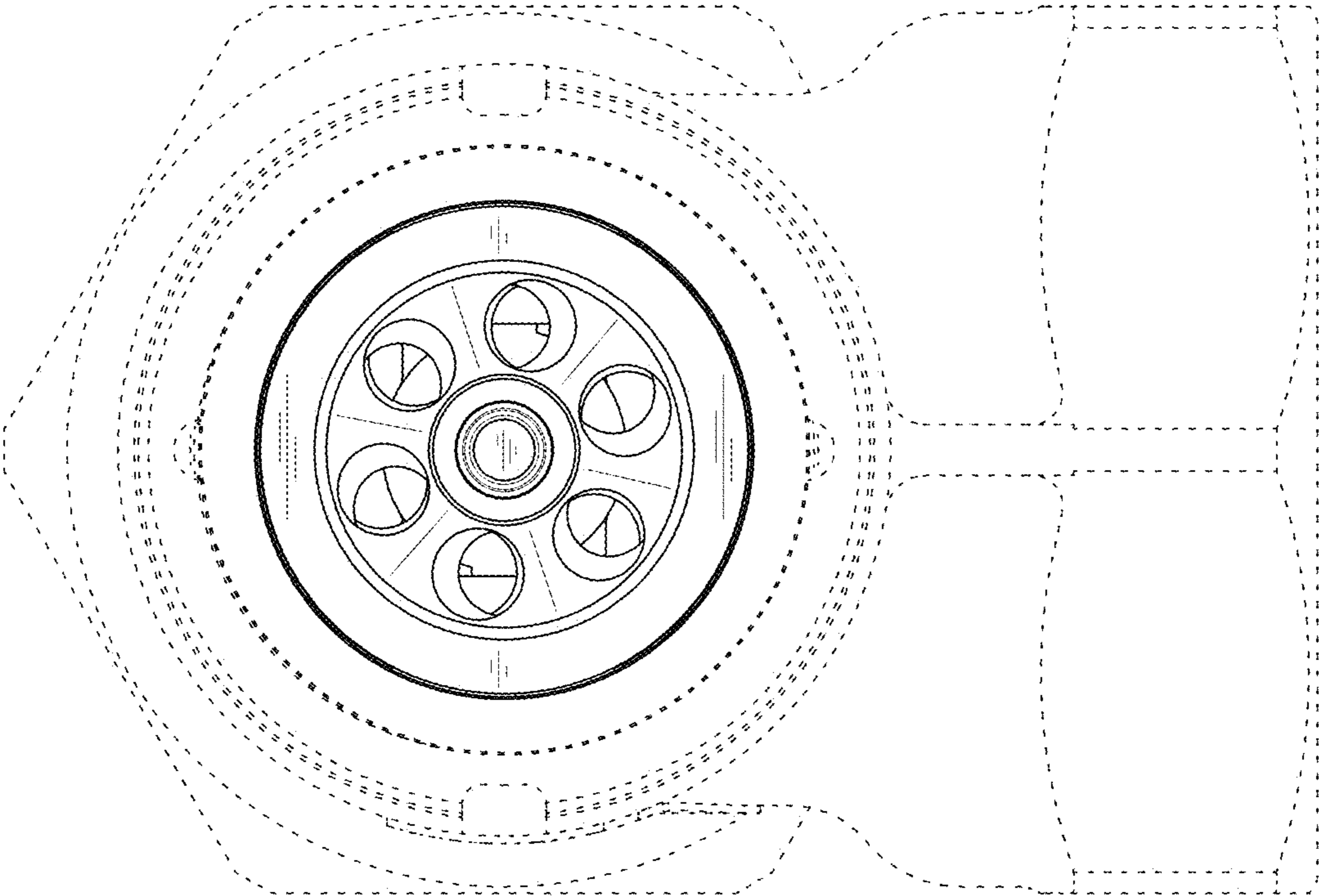


FIG. 4

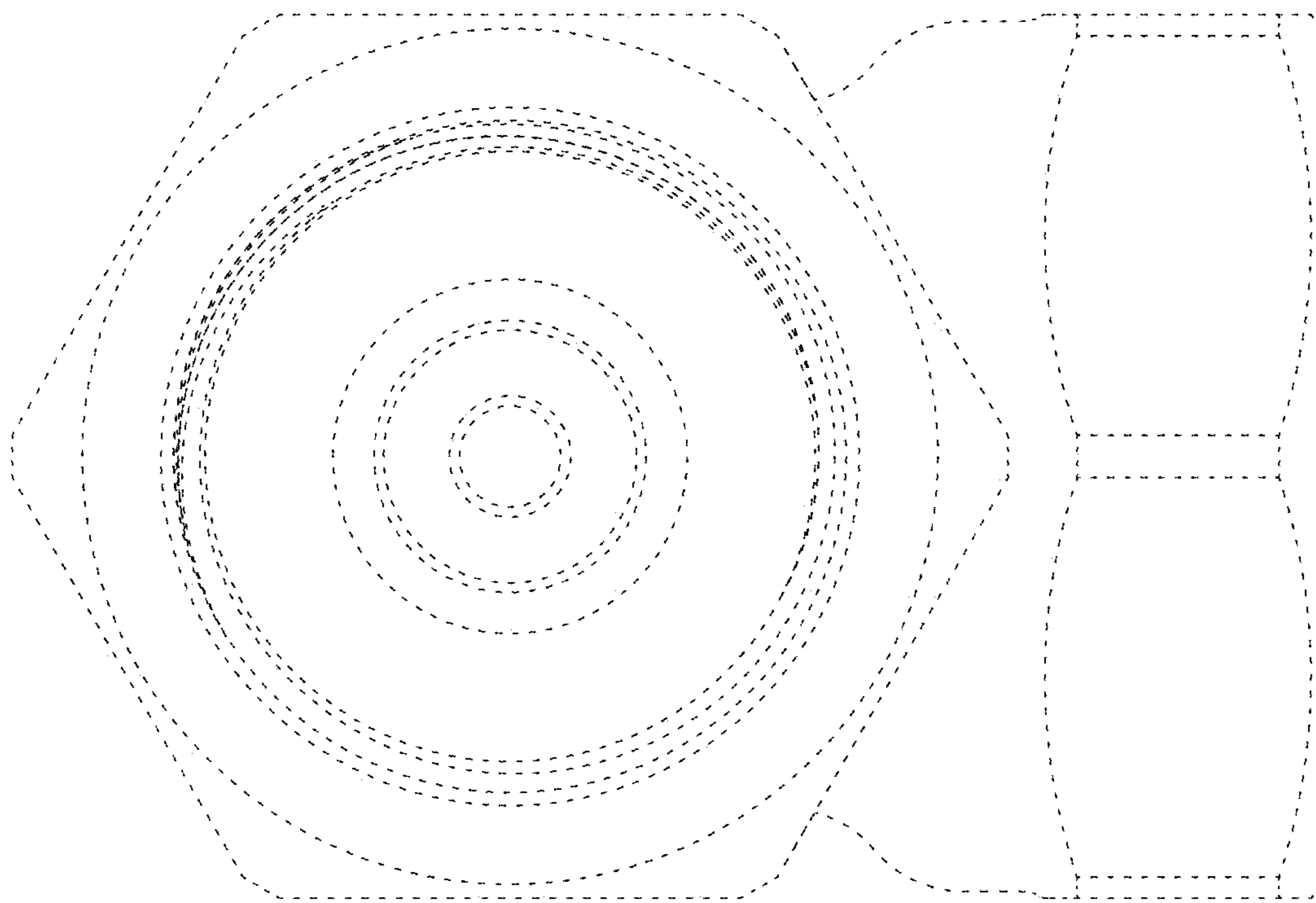


FIG. 5



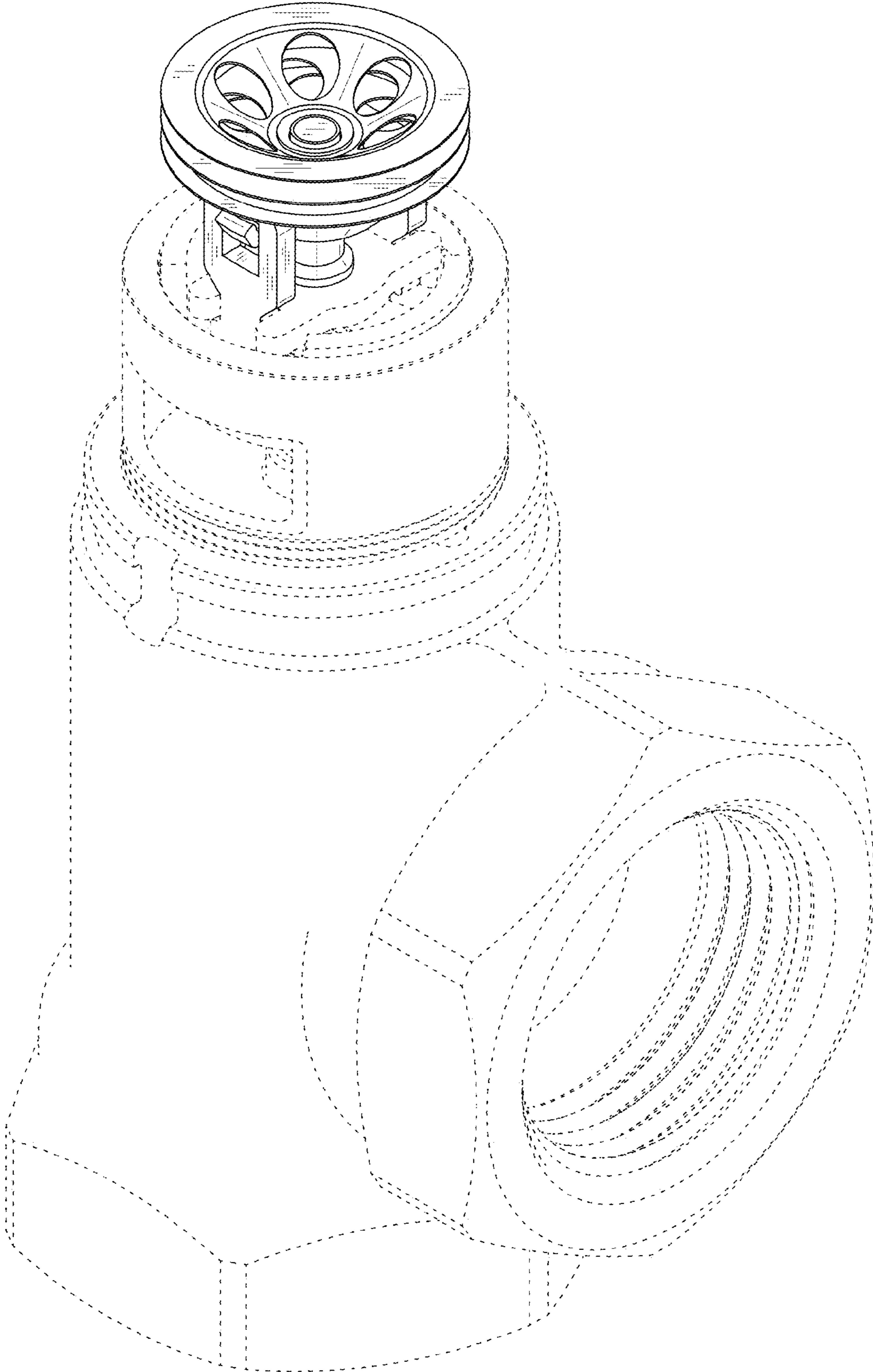


FIG. 6