



US00D871679S

(12) **United States Design Patent**
Holslag

(10) **Patent No.:** **US D871,679 S**

(45) **Date of Patent:** **** Dec. 31, 2019**

(54) **INSERTABLE ARTICLE FOR HEADGEAR**

D317,523 S * 6/1991 Smith D2/894
D730,630 S * 6/2015 Duff D2/894
D732,243 S * 6/2015 Votel D29/122

(71) Applicant: **Switchback, LLC**, Poway, CA (US)

(72) Inventor: **Nicholas J C Holslag**, Pine Valley, CA (US)

* cited by examiner

(73) Assignee: **Switchback, LLC**, Poway, CA (US)

Primary Examiner — Randall H Gholson

(**) Term: **15 Years**

(74) *Attorney, Agent, or Firm* — Lewis Kohn & Walker LLP; David M. Kohn; Kari Moyer-Henry

(21) Appl. No.: **29/663,733**

(22) Filed: **Sep. 18, 2018**

(51) **LOC (12) Cl.** **29-02**

(52) **U.S. Cl.**
USPC **D29/122; D2/891**

(58) **Field of Classification Search**

USPC D2/865, 866, 867, 868, 869, 870, 871,
D2/872, 873, 874, 875, 876, 877, 878,
D2/879, 880, 881, 882, 883, 884, 885,
D2/886, 887, 888, 889, 890, 891, 892,
D2/893, 894, 895; D29/102, 103, 122,
D29/129

CPC .. A42B 1/00; A42B 1/004; A42B 1/02; A42B
1/062; A42B 1/248; A42B 3/00; A42B
3/124; A42C 5/00

See application file for complete search history.

(56) **References Cited**

U.S. PATENT DOCUMENTS

1,194,193 A * 8/1916 Kronthal A42C 5/02
2/181
2,620,483 A * 12/1952 Reinhard A42B 1/241
40/329

(57) **CLAIM**

The ornamental design for a insertable article for headgear, as shown and described.

DESCRIPTION

FIG. 1 is a top perspective view of the insertable article for headgear shown in the present invention;

FIG. 2 is a top view of the insertable article for headgear shown in the present invention;

FIG. 3 is a top perspective view of an alternative embodiment of the insertable article for headgear shown in the present invention; and,

FIG. 4 is a top view of the alternative embodiment of the insertable article for headgear shown in the present invention.

The dash-dash-dash type broken line shown is included for the purpose of illustrating environmental context and forms no part of the claimed design.

1 Claim, 3 Drawing Sheets

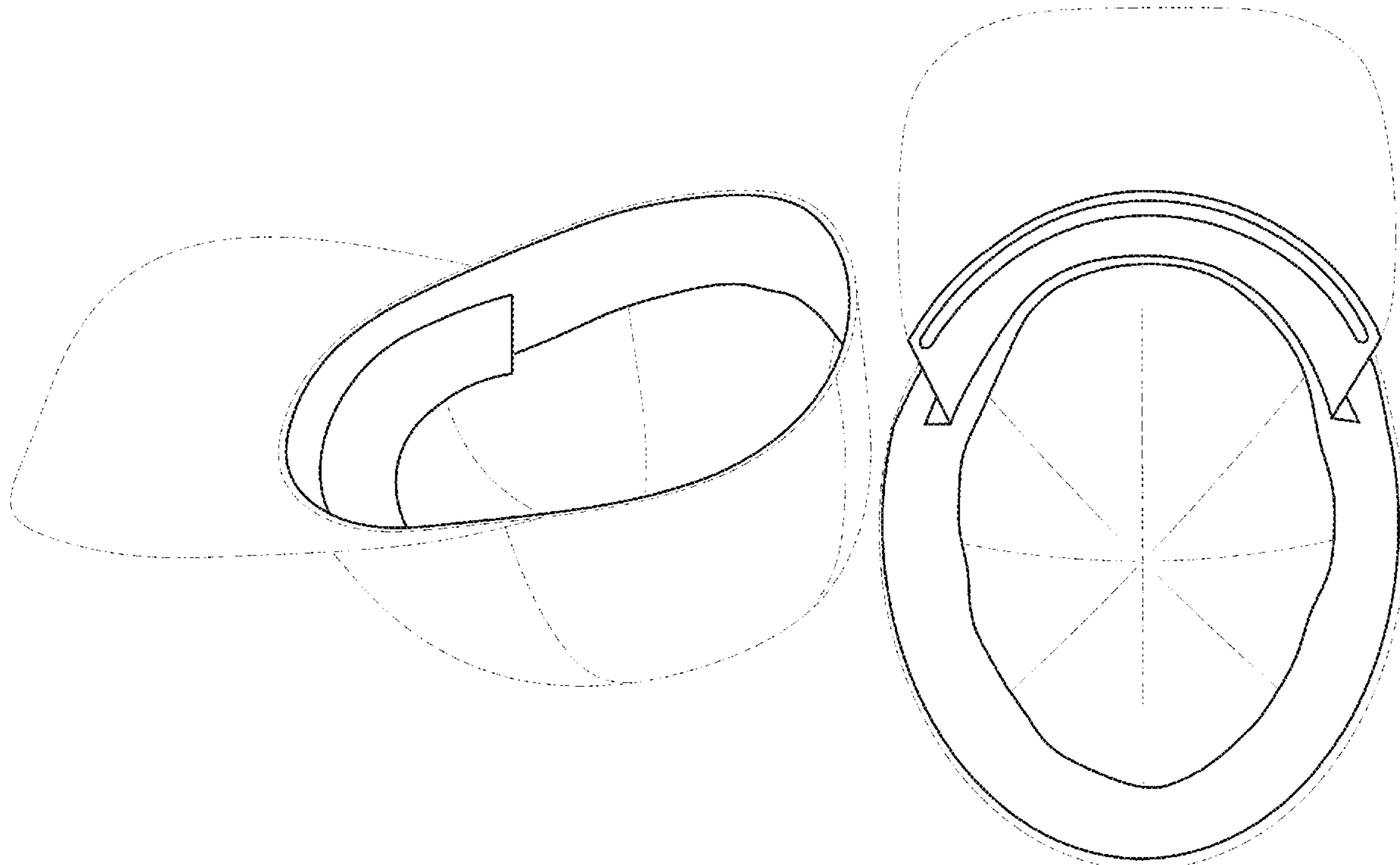


FIG. 1

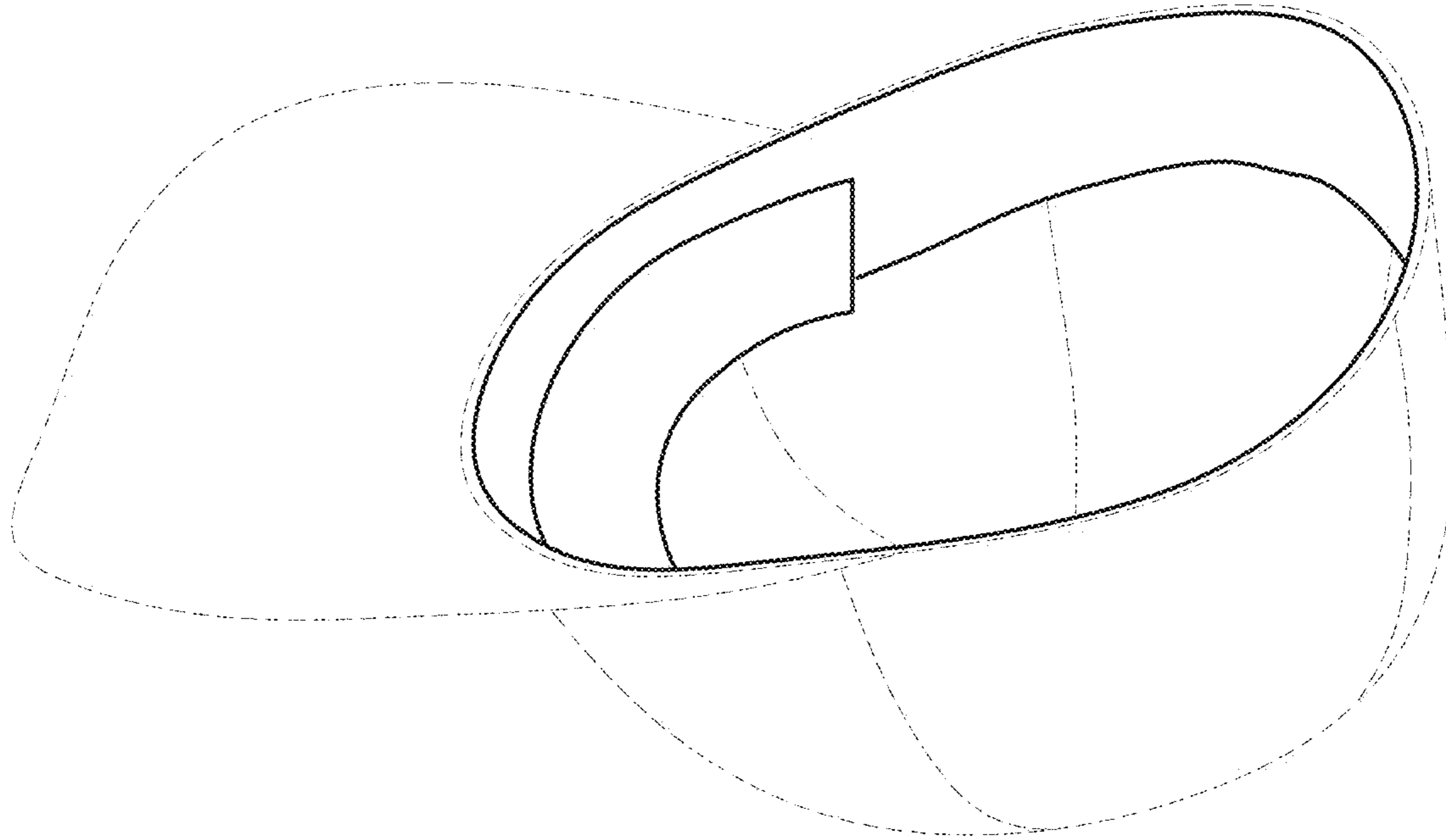


FIG. 2

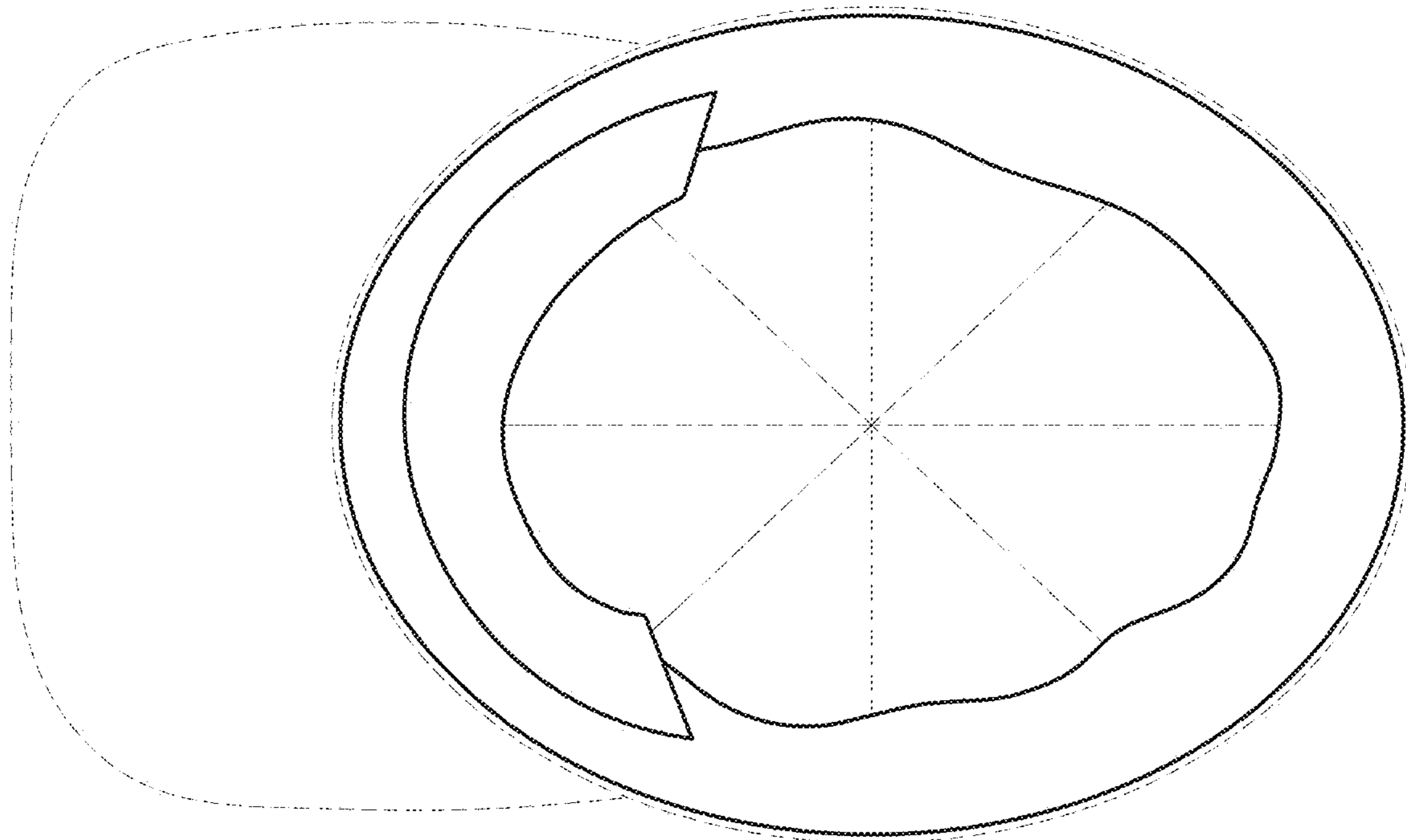


FIG. 3

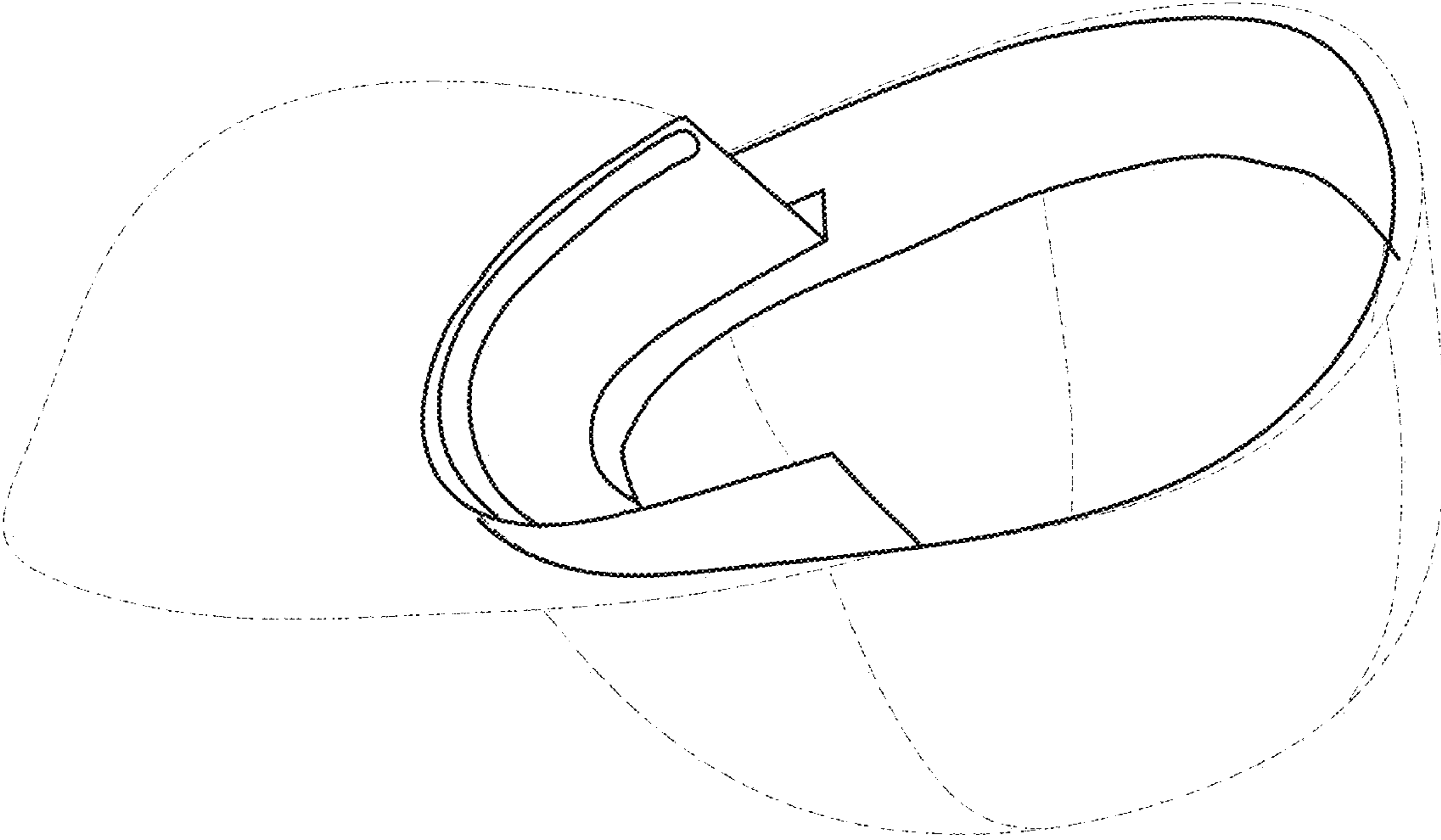


FIG. 4

