



US00D871676S

(12) **United States Design Patent** (10) **Patent No.:** **US D871,676 S**
Quinn (45) **Date of Patent:** **** Dec. 31, 2019**

(54) **LIPSTICK RACK**
(71) Applicant: **Joseph Quinn**, Kirkland, WA (US)
(72) Inventor: **Joseph Quinn**, Kirkland, WA (US)
(**) Term: **15 Years**
(21) Appl. No.: **29/660,096**
(22) Filed: **Aug. 17, 2018**

Related U.S. Application Data

(63) Continuation-in-part of application No. 29/649,720, filed on Jun. 1, 2018.
(51) **LOC (12) Cl.** **28-03**
(52) **U.S. Cl.**
USPC **D28/73; D6/682.2**
(58) **Field of Classification Search**
USPC D28/9, 13, 18-19, 35, 73, 76-84, 99;
D9/414, 424, 426, 428, 430, 748;
D7/586, 587, 600.1-600.4, 647, 667, 672,
D7/704, 550.1, 601, 602, 701, 703;
D8/349, 354, 373, 380; D6/512, 513,
D6/518, 524, 553, 672, 567, 569-571,
D6/682, 682.1, 682.2; D19/75, 90;
D3/304, 318, 319; D24/227, 228, 229,
D24/230
CPC .. A47B 81/00; A47G 29/08; A45D 2033/001;
A45D 33/003; A45D 33/006-008; A45D
33/22; A45D 33/24; A45D 33/26; A45D
33/28; A45D 34/00; A45D 34/06; A47F
5/08
See application file for complete search history.

(56) **References Cited**

U.S. PATENT DOCUMENTS

D198,952 S * 8/1964 Mittleberger D7/708
D199,111 S 9/1964 Hollins
3,239,069 A 3/1966 Hollins
3,429,450 A 2/1969 Lambert

D215,388 S * 9/1969 Kierun D28/99
4,234,094 A 11/1980 Jorgensen
4,431,107 A 2/1984 Bergstrom et al.
4,776,650 A 10/1988 Ferenzi
5,031,778 A * 7/1991 Edgecombe A47F 7/00
211/26
D358,953 S * 6/1995 Barnard D6/683.1
(Continued)

OTHER PUBLICATIONS

Shadow Rack™ Makeup Organizers (@shadowracks) • Instagram photos and videos, photo posted 003/24/2019 on instagram.com, retrieved on Aug. 25, 2019, retrieved from the Internet URL: <https://www.instagram.com/p/BX9aIK1F8qb/>.*

Primary Examiner — Jennifer Rivard
Assistant Examiner — Alison M Ofstun
(74) *Attorney, Agent, or Firm* — Hanrahan Law Firm, P.A.; Benjamin M. Hanrahan

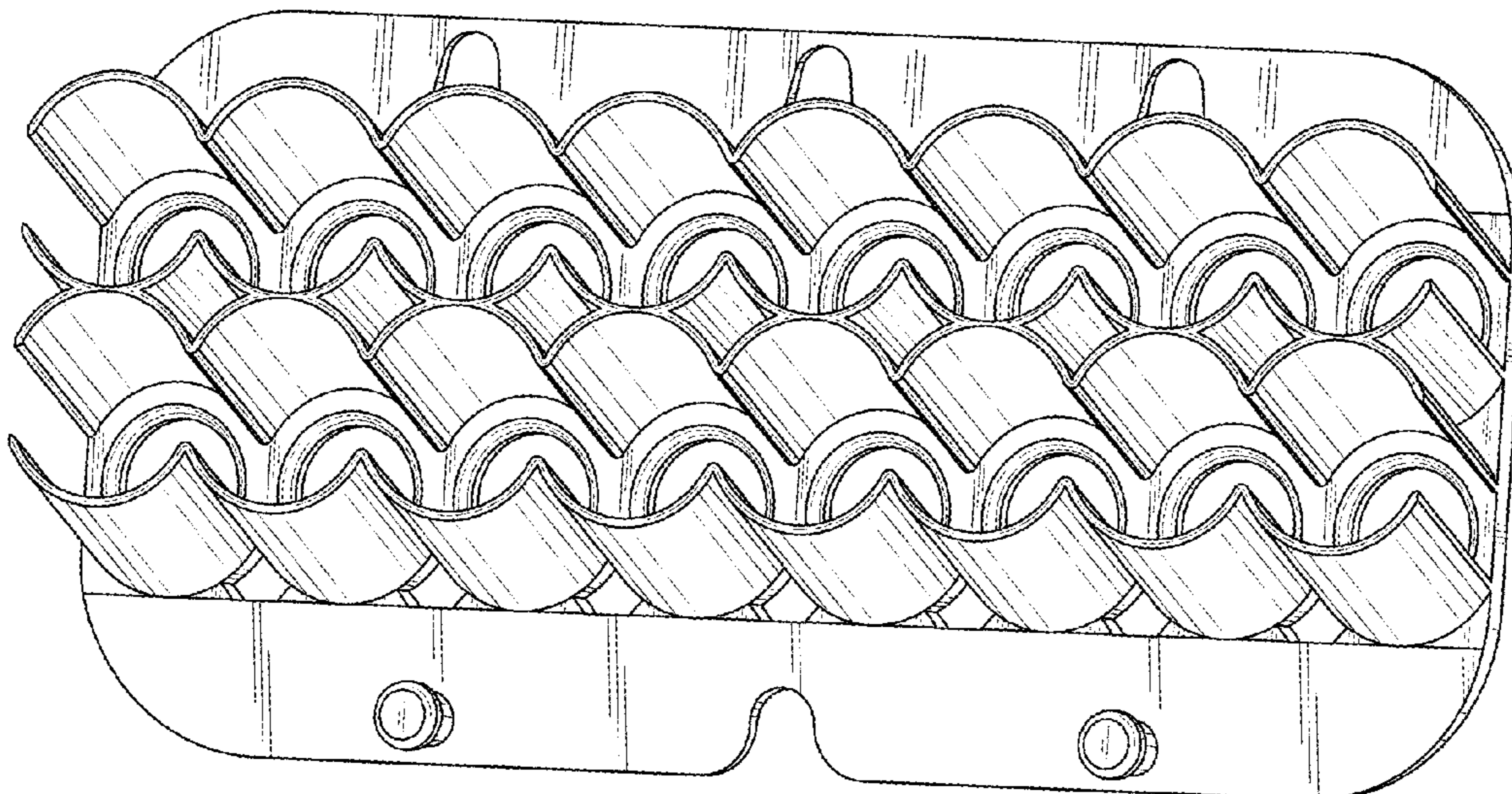
(57) **CLAIM**

The ornamental design for a lipstick rack, as shown and described.

DESCRIPTION

FIG. 1 is an isometric view of a lipstick rack, showing my new design;
FIG. 2 is a front view thereof.
FIG. 3 is a right side view thereof.
FIG. 4 is a rear view thereof.
FIG. 5 is a left side view thereof.
FIG. 6 is a top view thereof.
FIG. 7 is a bottom view thereof; and,
FIG. 8 is a second isometric view, shown in an environment of use with an exemplary lipstick rack and lipstick containers.
The broken lines in FIG. 8 showing an additional lipstick rack and lipstick containers are for the purpose of illustrating environment and form no part of the claimed design.

1 Claim, 7 Drawing Sheets



(56)

References Cited

U.S. PATENT DOCUMENTS

D363,365	S	10/1995	Beaudoin et al.	
5,508,005	A *	4/1996	Mathus	B01L 3/5085 422/551
D371,478	S	7/1996	Yates	
6,089,387	A	7/2000	Varfolomeeva	
6,464,086	B1	10/2002	Klein et al.	
6,640,981	B2	11/2003	Lafond et al.	
D509,691	S *	9/2005	Doran	D6/571
D525,657	S *	7/2006	Warren, III	D19/77
D590,183	S *	4/2009	Hensel	D6/672
D694,908	S *	12/2013	Okihara	D24/230
D695,078	S *	12/2013	Hertaus	D7/600.1
D712,205	S *	9/2014	Yoder	D7/600.1
D731,866	S	6/2015	Paulick	
D734,867	S *	7/2015	Smeja	D24/230
9,206,827	B2	12/2015	Loree et al.	
D749,381	S *	2/2016	Magri	D24/230
9,445,670	B1 *	9/2016	Stiefel	A47B 81/007
D768,933	S *	10/2016	Green	D28/38
2005/0011843	A1	1/2005	Dagan	
2008/0173325	A1	7/2008	McGarry	
2010/0155348	A1	6/2010	Berry et al.	
2011/0174680	A1	7/2011	Arvin et al.	
2014/0231372	A1	8/2014	Mills et al.	

* cited by examiner

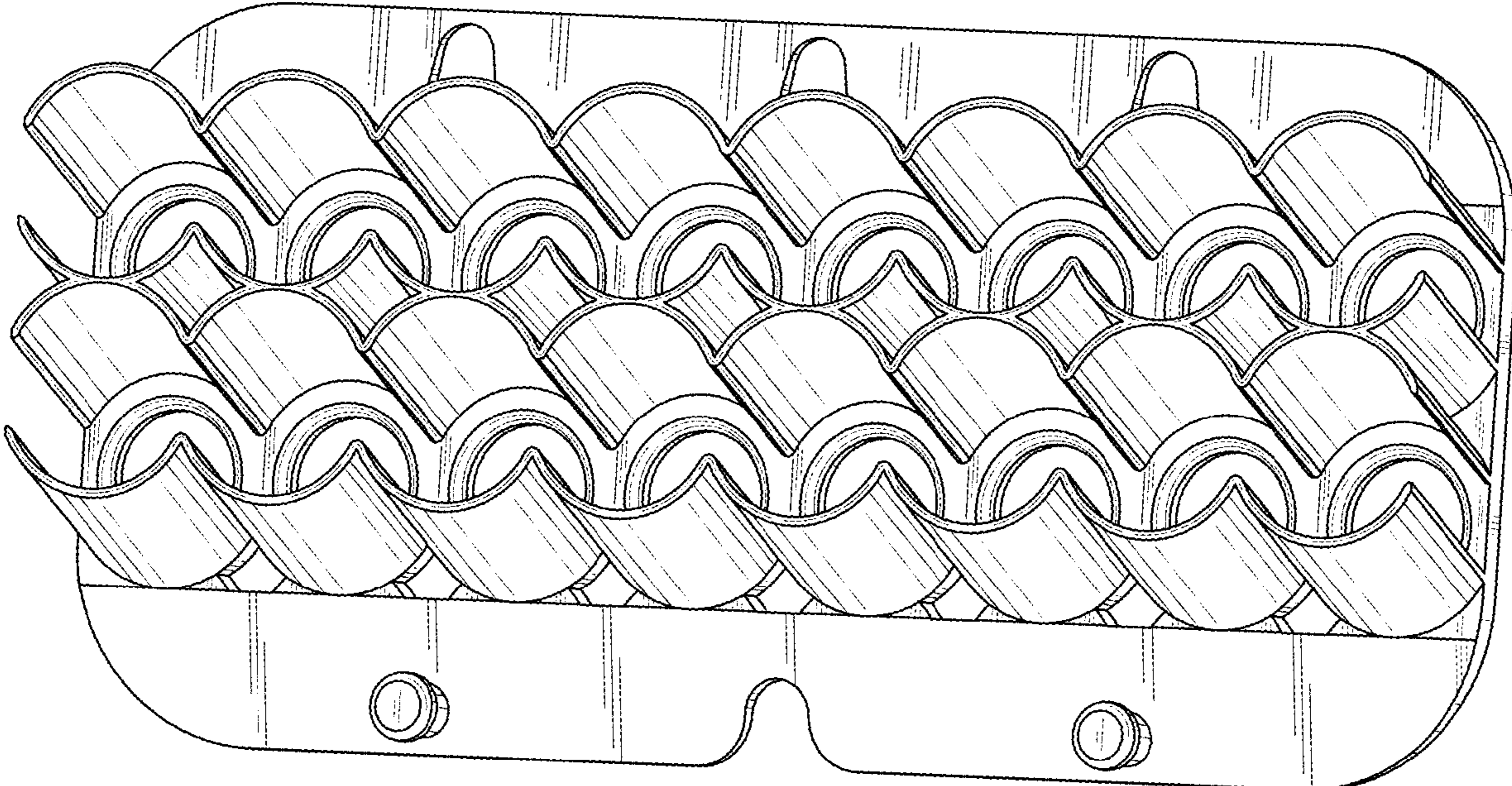


FIG. 1

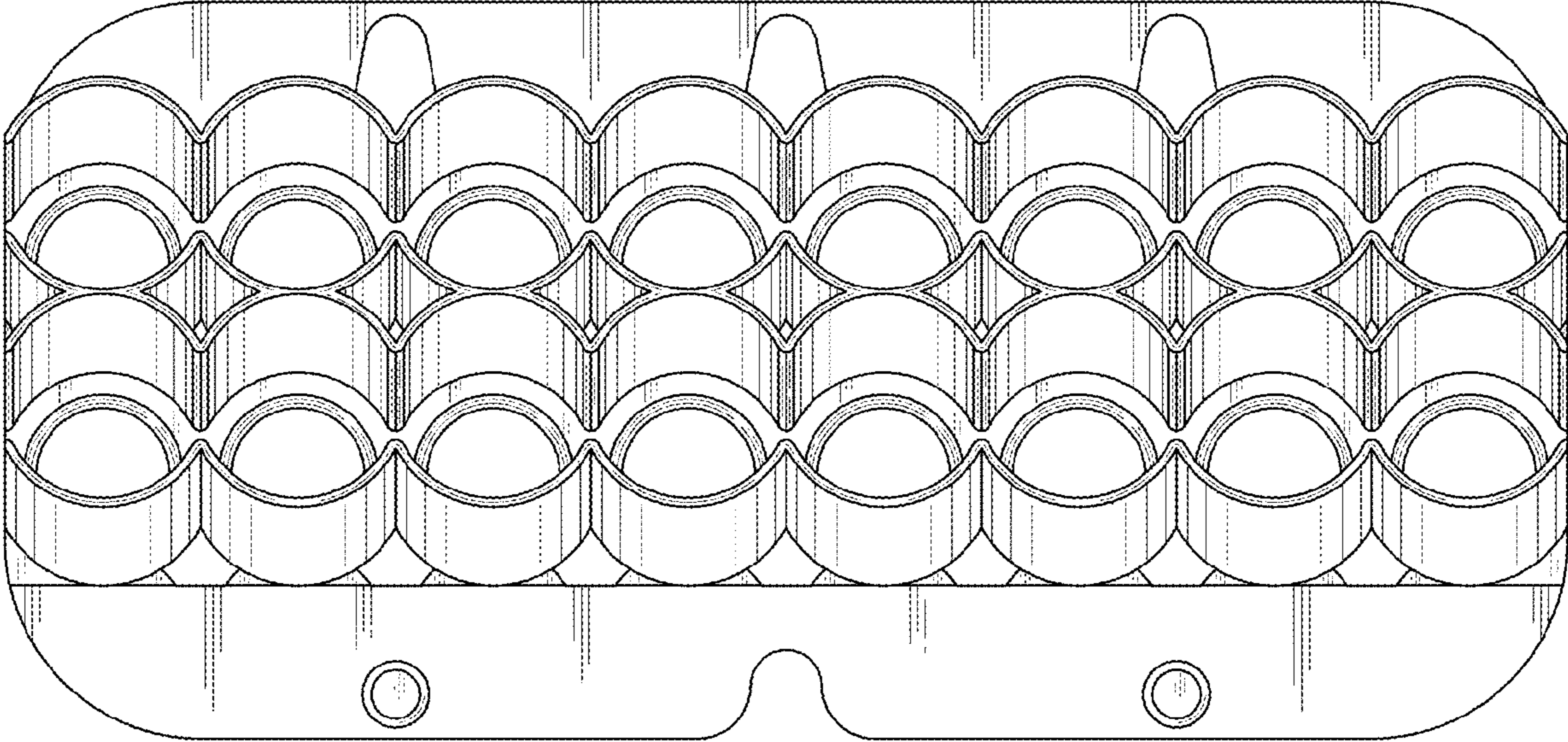


FIG. 2

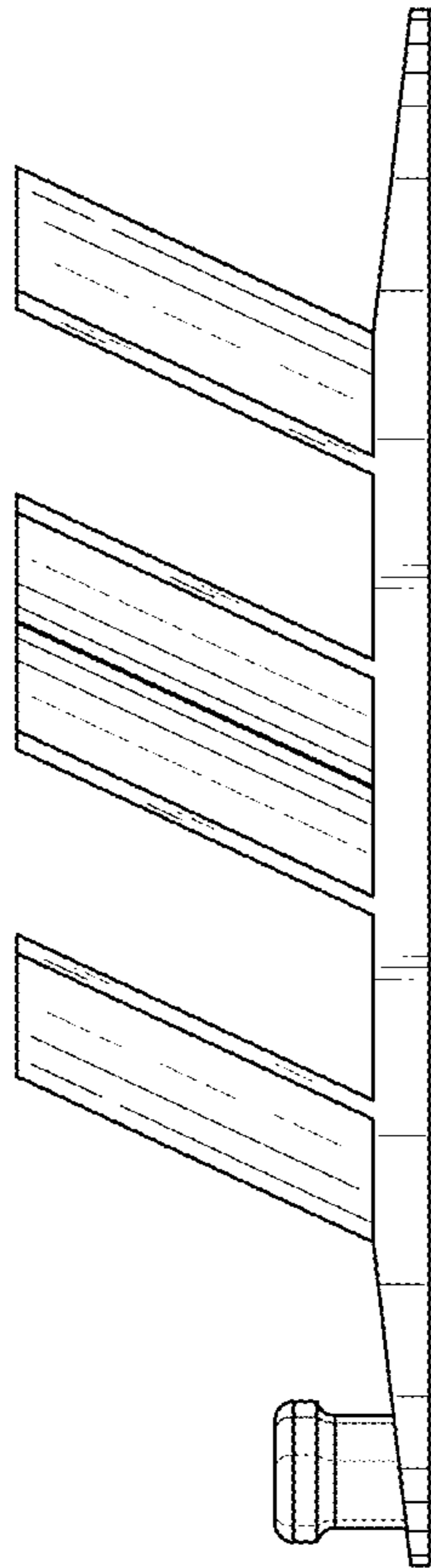


FIG. 3

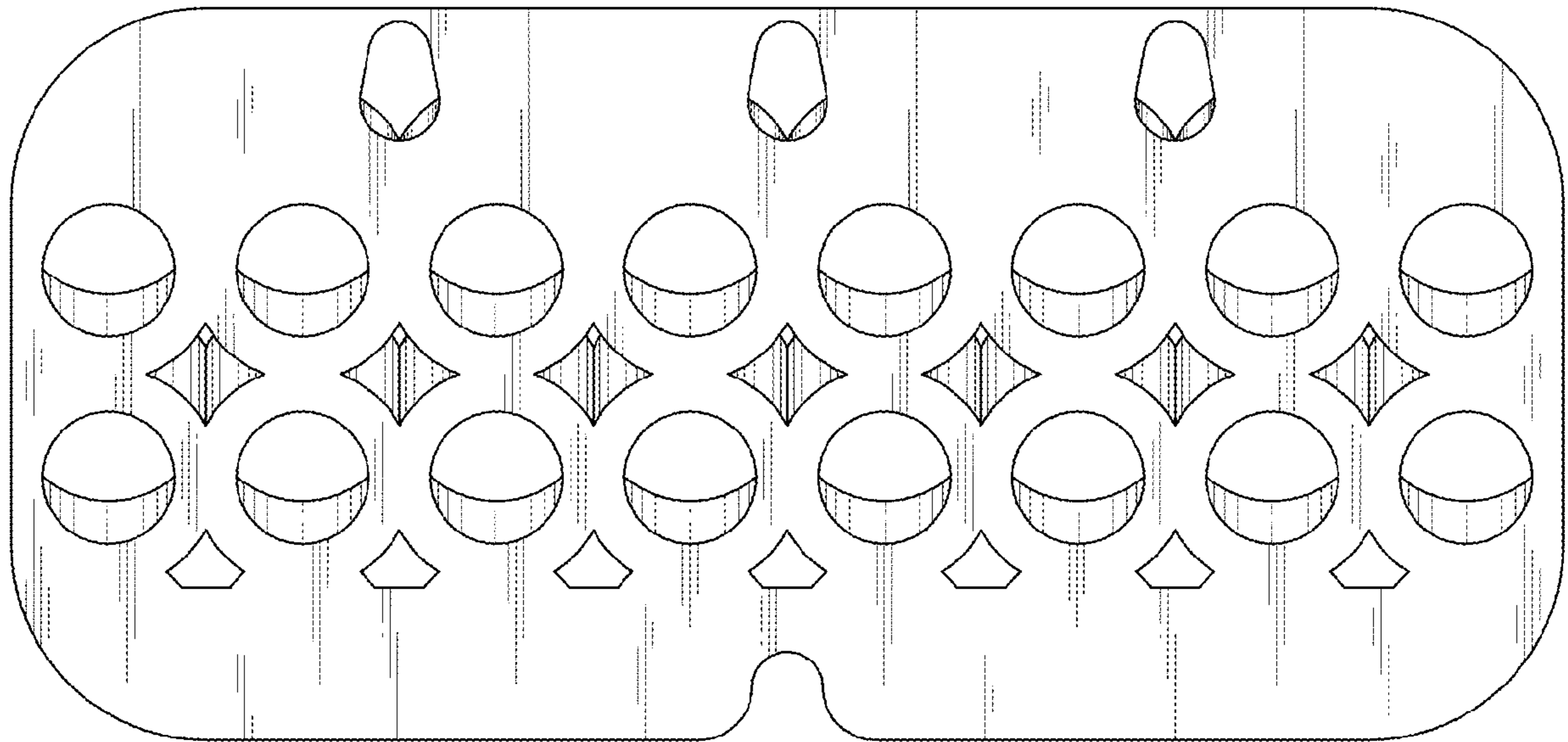


FIG. 4

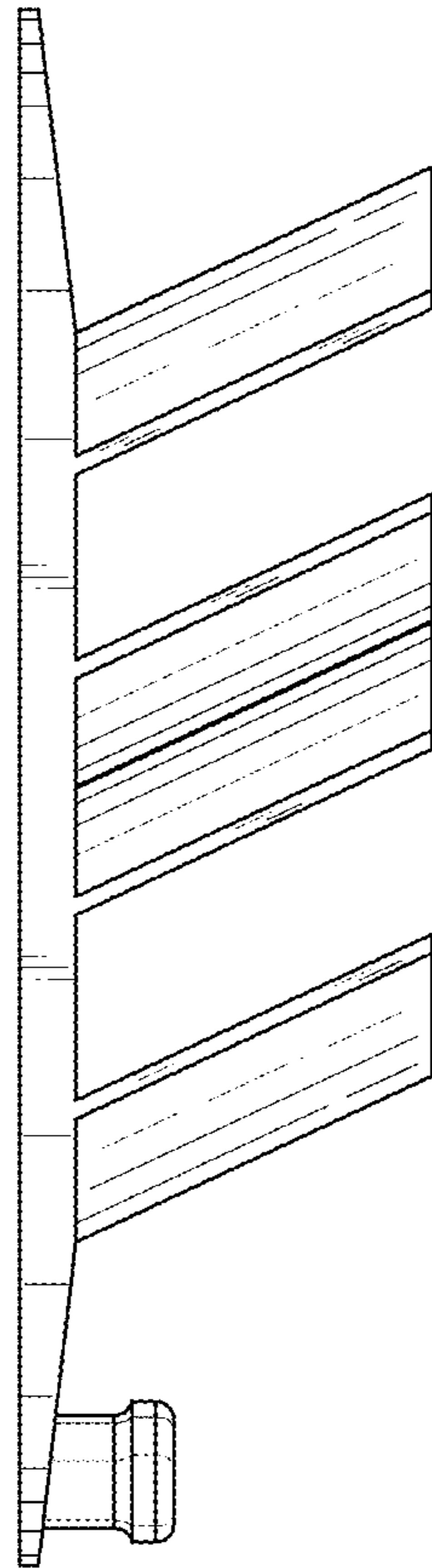


FIG. 5

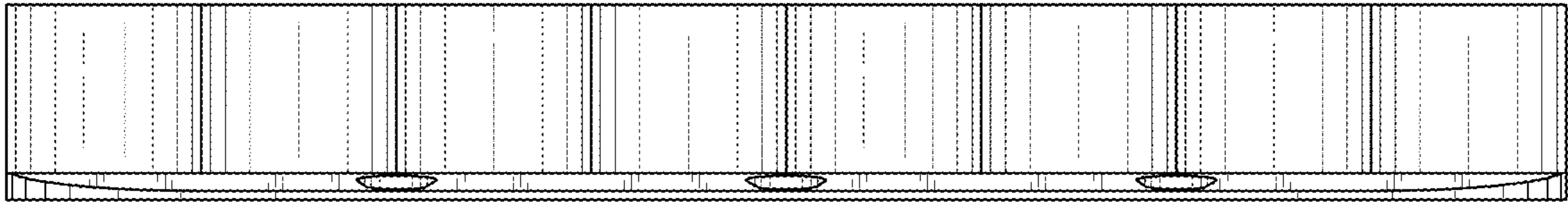


FIG. 6

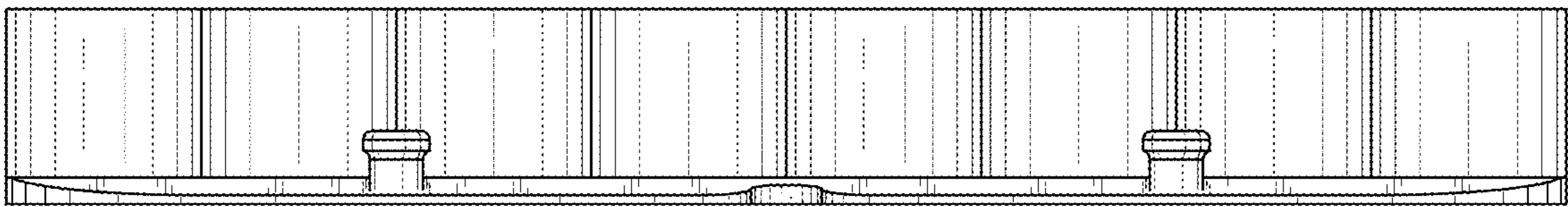


FIG. 7

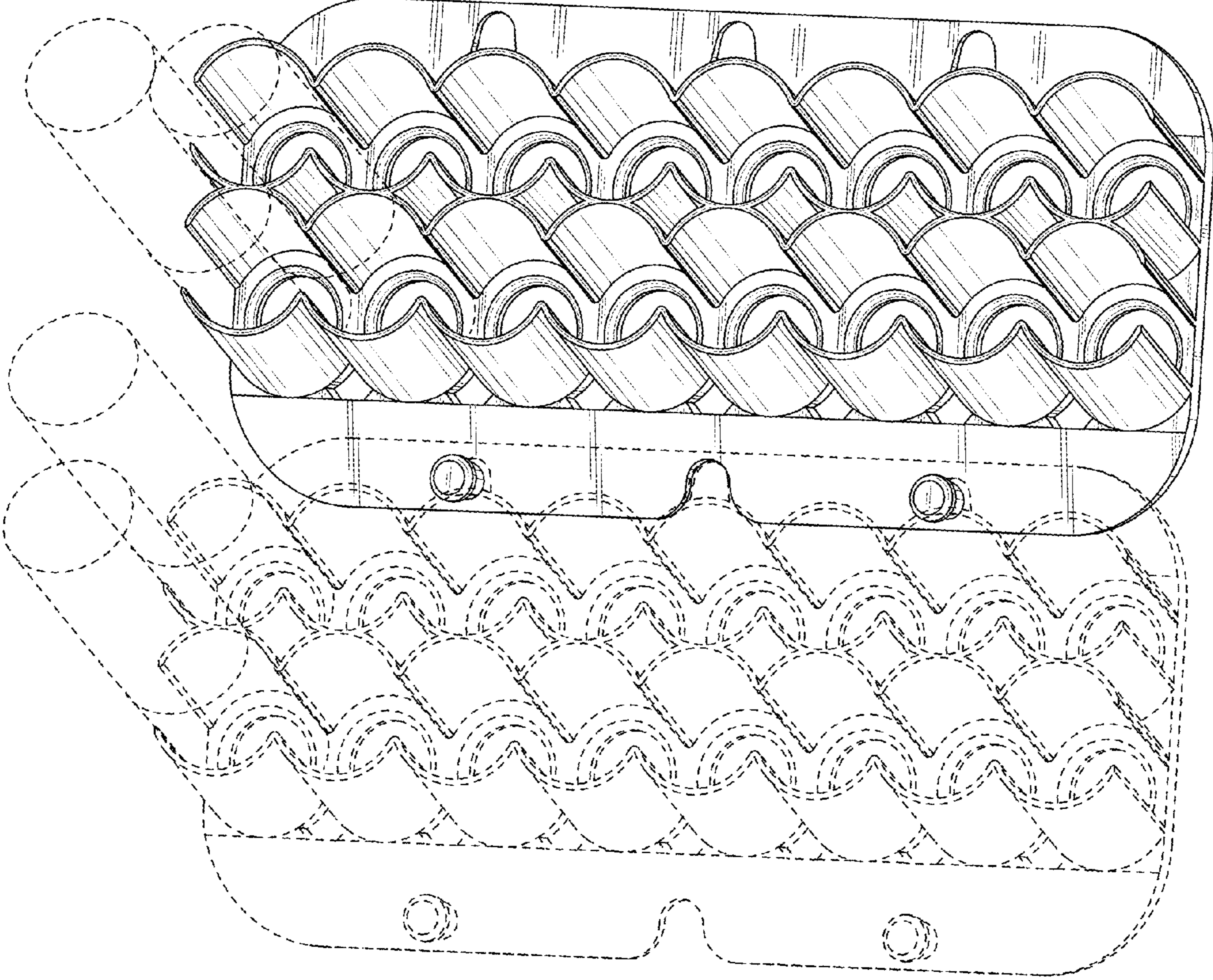


FIG. 8