



US00D871675S

(12) **United States Design Patent** (10) **Patent No.:** **US D871,675 S**  
**Quinn** (45) **Date of Patent:** **\*\* Dec. 31, 2019**

- (54) **COSMETIC RACK**
- (71) Applicant: **Joseph Quinn**, Kirkland, WA (US)
- (72) Inventor: **Joseph Quinn**, Kirkland, WA (US)
- (\*\*) Term: **15 Years**
- (21) Appl. No.: **29/649,720**
- (22) Filed: **Jun. 1, 2018**
- (51) **LOC (12) Cl.** ..... **28-03**
- (52) **U.S. Cl.**  
USPC ..... **D28/73; D6/682.2**
- (58) **Field of Classification Search**  
USPC ..... D28/9, 13, 18-19, 35, 73, 76-84, 99;  
D9/414, 424, 426, 428, 430, 748;  
D7/586, 587, 600.1-600.4, 647, 667, 672,  
D7/704, 550.1, 601, 602, 701, 703;  
D8/349, 354, 373, 380; D6/512, 513,  
D6/518, 524, 553, 567, 569-571, 682,  
D6/682.1, 682.2, 672; D19/75, 90;  
D3/304, 318, 319; D24/227, 228, 229,  
D24/230  
CPC .. A47B 81/00; A47G 29/08; A45D 2033/001;  
A45D 33/003; A45D 33/006-008; A45D  
33/22; A45D 33/24; A45D 33/26; A45D  
33/28; A45D 34/00; A45D 34/06; A47F  
5/08  
See application file for complete search history.

- D358,953 S \* 6/1995 Barnard ..... D6/683.1
- D363,365 S 10/1995 Beaudoin et al.
- 5,508,005 A \* 4/1996 Mathus ..... B01L 3/5085  
422/551
- D371,478 S 7/1996 Yates
- 6,089,387 A 7/2000 Varfolomeeva  
(Continued)

**OTHER PUBLICATIONS**

Shadow Rack™ Makeup Organizers (@shadowracks) • Instagram photos and videos, photo posted Aug. 18, 2017 on istagram.com, retrieved on Aug. 25, 2019, retrieved from the Internet URL: <https://www.instagram.com/p/BX9aIK1F8qb/>.\*

*Primary Examiner* — Jennifer Rivard  
*Assistant Examiner* — Alison M Ofstun  
(74) *Attorney, Agent, or Firm* — Hanrahan Law Firm, P.A.; Benjamin M. Hanrahan

(57) **CLAIM**

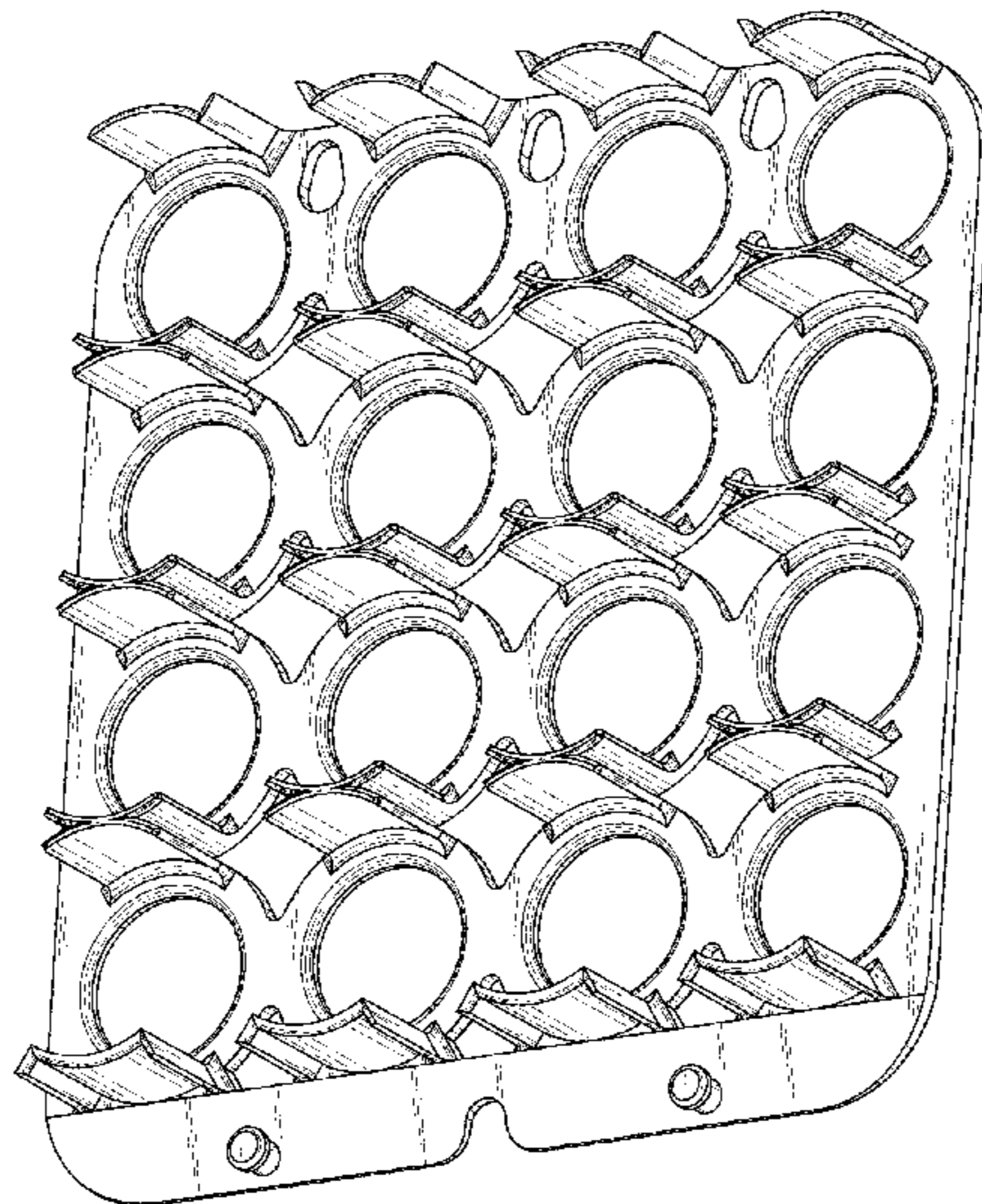
The ornamental design for a cosmetic rack, as shown and described.

**DESCRIPTION**

FIG. 1 is an isometric view of a cosmetic rack showing my new design;  
FIG. 2 is a front view thereof.  
FIG. 3 is a right side view thereof.  
FIG. 4 is a rear view thereof.  
FIG. 5 is a left side view thereof.  
FIG. 6 is a top view thereof.  
FIG. 7 is a bottom view thereof; and,  
FIG. 8 is a second isometric view, shown in an environment of use with an exemplary cosmetic rack and cosmetic containers.  
The broken lines in FIG. 8 showing an additional cosmetic rack and cosmetic containers are for the purpose of illustrating environment and form no part of the claimed design.

- (56) **References Cited**  
U.S. PATENT DOCUMENTS  
D198,952 S \* 8/1964 Mittleberger ..... D7/708  
D199,111 S 9/1964 Hollins  
3,239,069 A 3/1966 Hollins  
3,429,450 A 2/1969 Lambert  
D215,388 S \* 9/1969 Kierun ..... D28/99  
4,234,094 A 11/1980 Jorgensen  
4,431,107 A 2/1984 Bergstrom et al.  
4,776,650 A 10/1988 Ferenzi  
5,031,778 A \* 7/1991 Edgecombe ..... A47F 7/00  
211/26

**1 Claim, 7 Drawing Sheets**



(56)

**References Cited**

U.S. PATENT DOCUMENTS

6,464,086 B1 10/2002 Klein et al.  
6,640,981 B2 11/2003 Lafond et al.  
D509,691 S \* 9/2005 Doran ..... D6/571  
D525,657 S \* 7/2006 Warren, III ..... D19/77  
D590,183 S \* 4/2009 Hensel ..... D6/672  
D694,908 S \* 12/2013 Okihara ..... D24/230  
D695,078 S \* 12/2013 Hertaus ..... D7/600.1  
D712,205 S \* 9/2014 Yoder ..... D7/600.1  
D731,866 S 6/2015 Paulick  
D734,867 S \* 7/2015 Smeja ..... D24/230  
9,206,827 B2 12/2015 Loree et al.  
D749,381 S \* 2/2016 Magri ..... D24/230  
9,445,670 B1 \* 9/2016 Stiefel ..... A47B 81/007  
D768,933 S \* 10/2016 Green ..... D28/38  
2005/0011843 A1 1/2005 Dagan  
2008/0173325 A1 7/2008 McGarry  
2010/0155348 A1 6/2010 Berry et al.  
2011/0174680 A1 7/2011 Arvin et al.  
2014/0231372 A1 8/2014 Mills et al.

\* cited by examiner

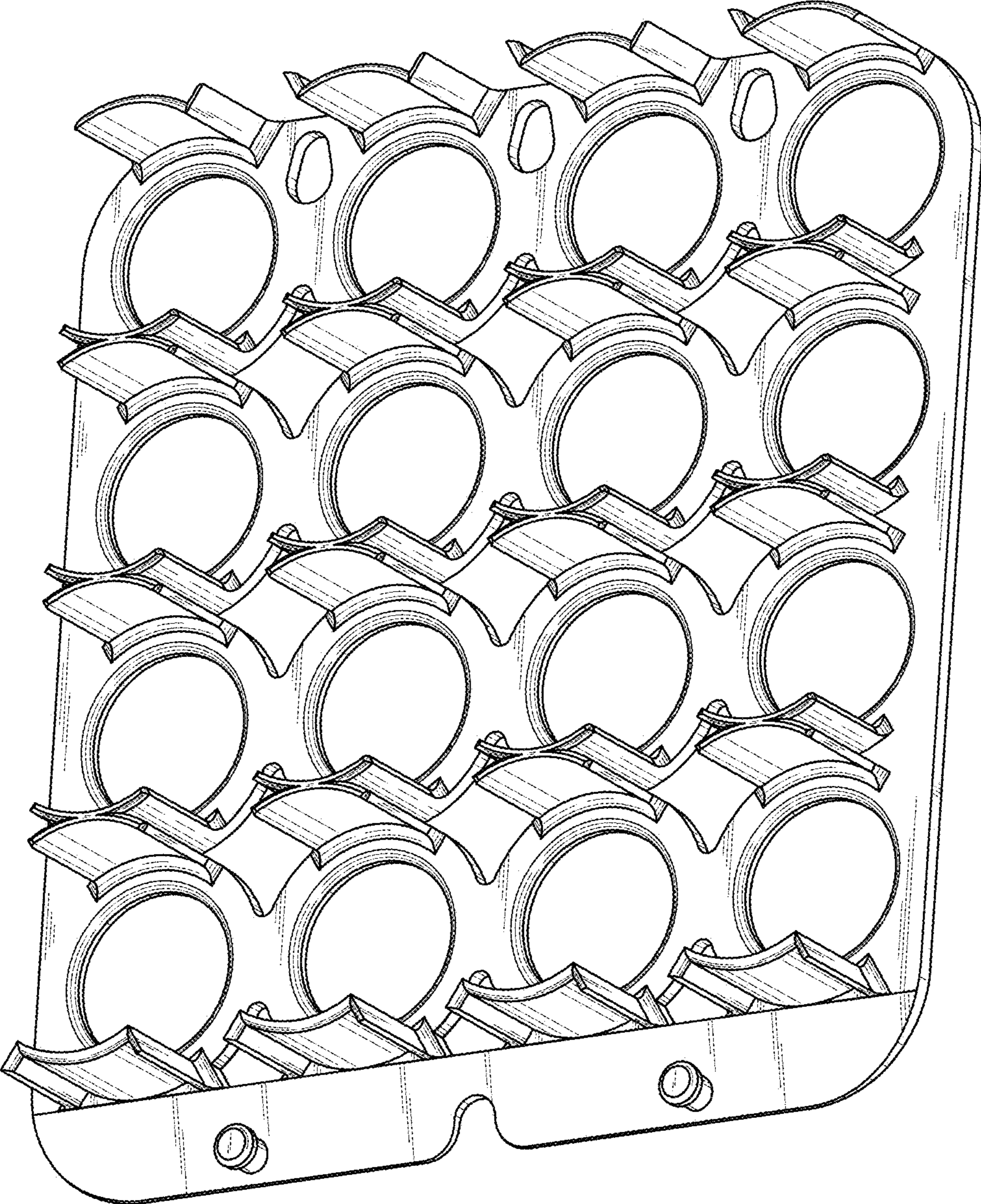


FIG. 1

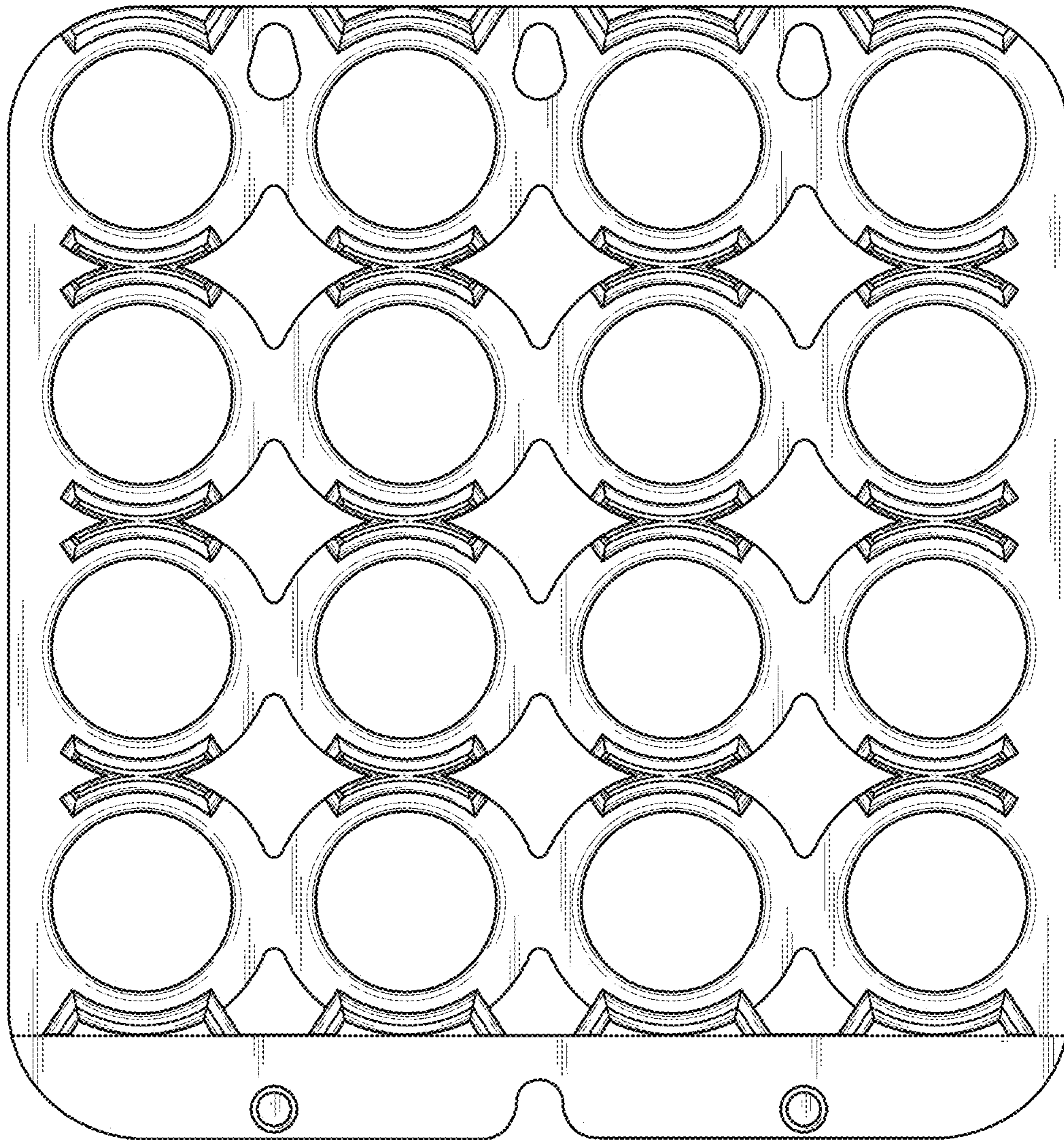


FIG. 2

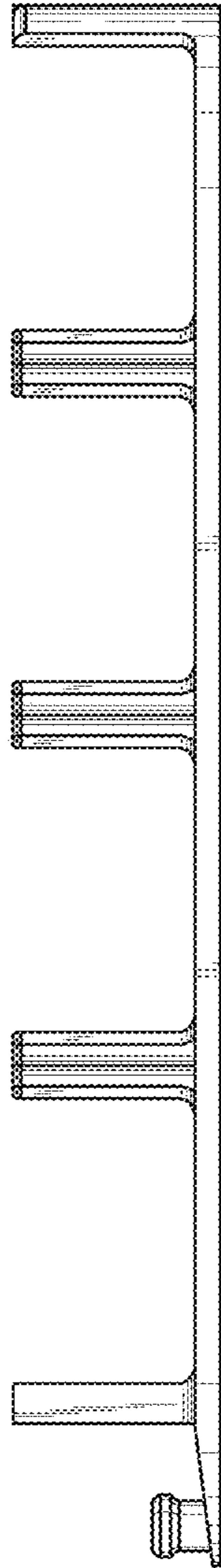


FIG. 3

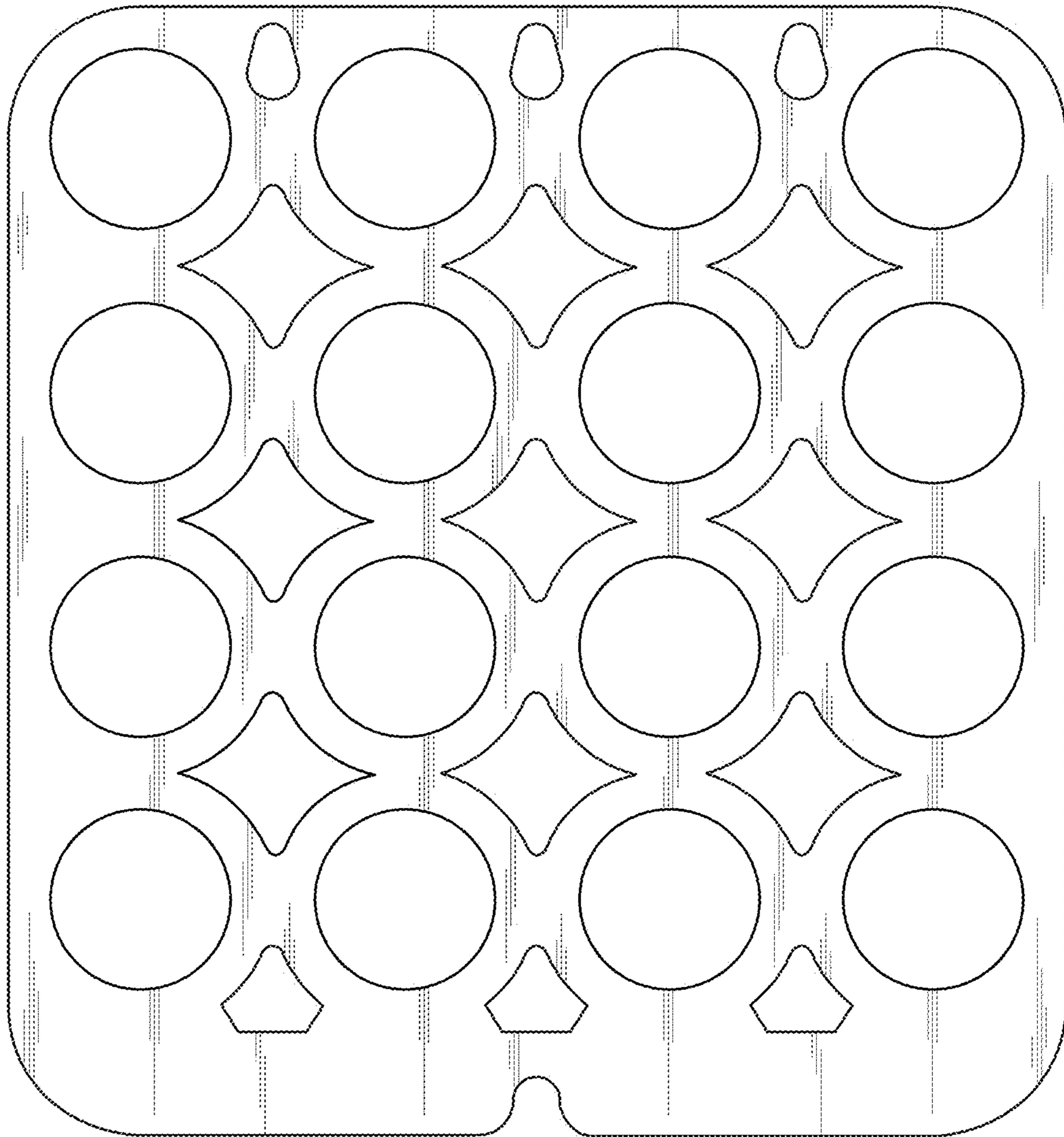


FIG. 4

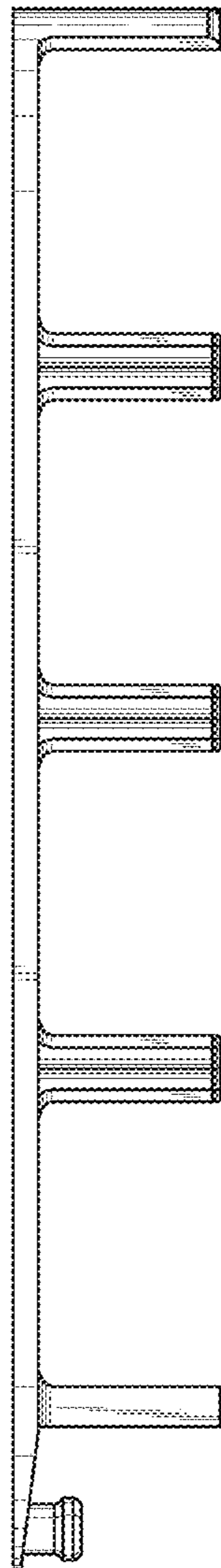


FIG. 5

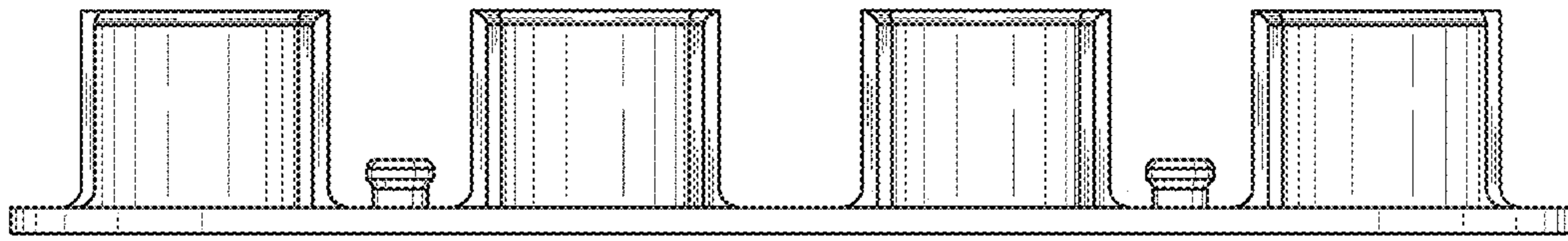


FIG. 6

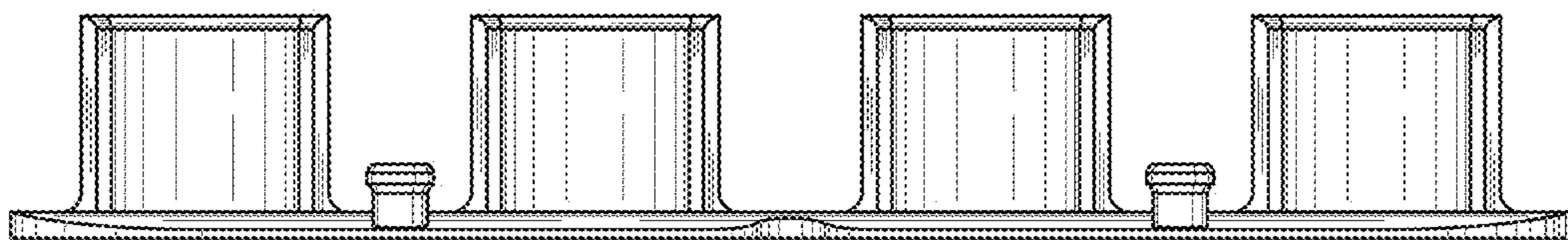


FIG. 7



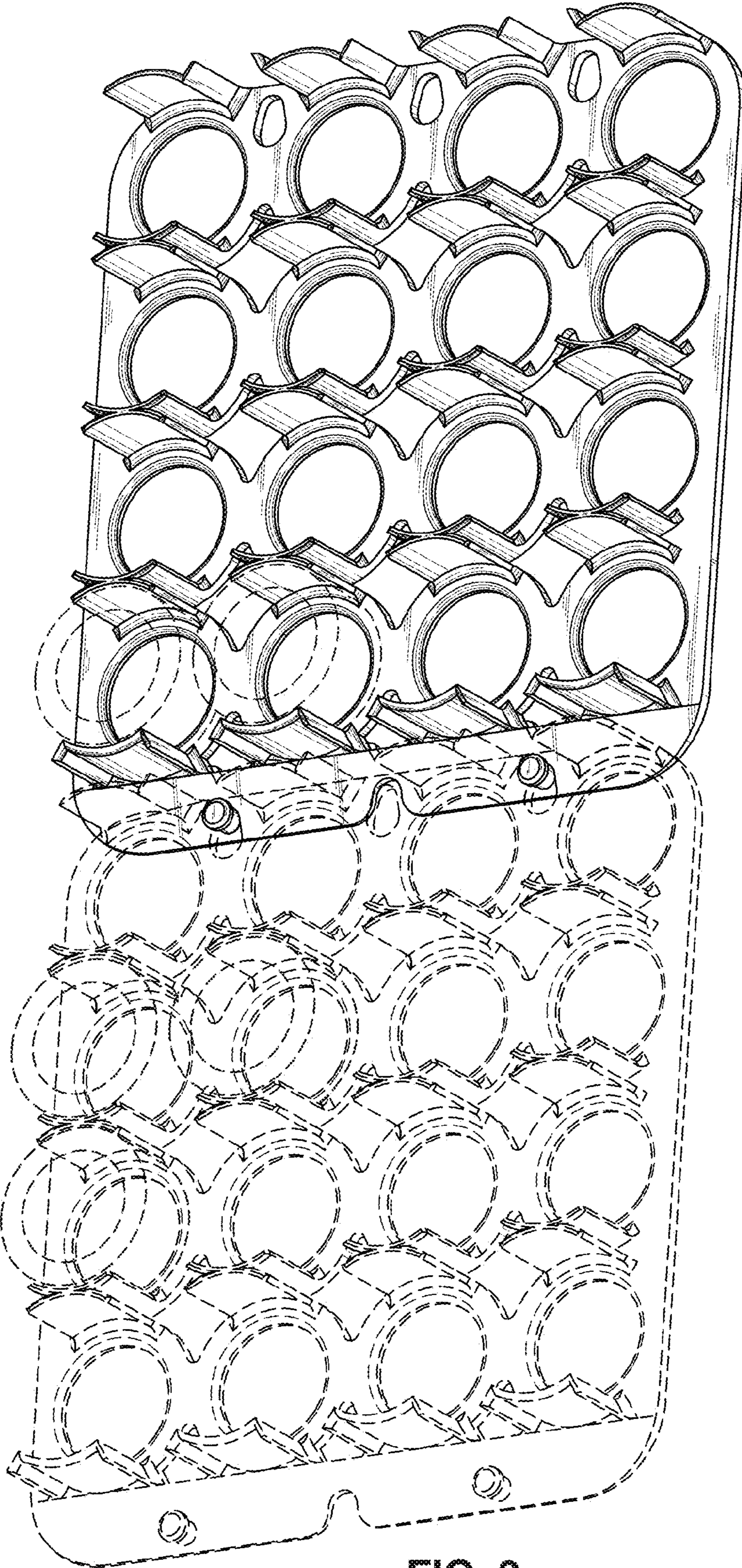


FIG. 8