



US00D871673S

(12) **United States Design Patent**  
**Qureshi et al.**

(10) **Patent No.:** **US D871,673 S**  
(45) **Date of Patent:** **\*\* Dec. 31, 2019**

- (54) **TWEEZER WITH SCOOP TIPS**
- (71) Applicant: **Tixodes LLC**, Weston, MA (US)
- (72) Inventors: **Abrar A. Qureshi**, Weston, MA (US);  
**M. Shoaib Mastoor**, Marriottesville,  
MD (US); **Wasif A. Qureshi**, West  
Chester, PA (US)
- (\*\*) Term: **15 Years**
- (21) Appl. No.: **29/629,770**
- (22) Filed: **Dec. 15, 2017**
- (51) **LOC (12) Cl.** ..... **28-03**
- (52) **U.S. Cl.**  
USPC ..... **D28/55; D24/143**
- (58) **Field of Classification Search**  
USPC ..... **D28/55; D24/143; D7/686**  
CPC ... **A61B 17/50; A61B 17/30; A61B 2017/505;**  
**A61B 2017/308; A61B 2017/2946**  
See application file for complete search history.

D472,675 S 4/2003 Lamagna  
D483,909 S 12/2003 Todeschini  
D507,160 S \* 7/2005 Bertulis ..... D7/686  
D507,678 S \* 7/2005 Lamagna ..... D28/55  
(Continued)

**FOREIGN PATENT DOCUMENTS**

CN 200977190 Y 11/2007  
EP 2422720 A1 2/2012

**OTHER PUBLICATIONS**

www.americanglassroots.com, Marble Tweezer, 1 page , down-  
loaded Aug. 12, 2019.\*

(Continued)

*Primary Examiner* — Jennifer Rivard  
(74) *Attorney, Agent, or Firm* — Myers Wolin, LLC

(57) **CLAIM**

The ornamental design for a tweezer with scoop tips, as  
shown and described.

(56) **References Cited**

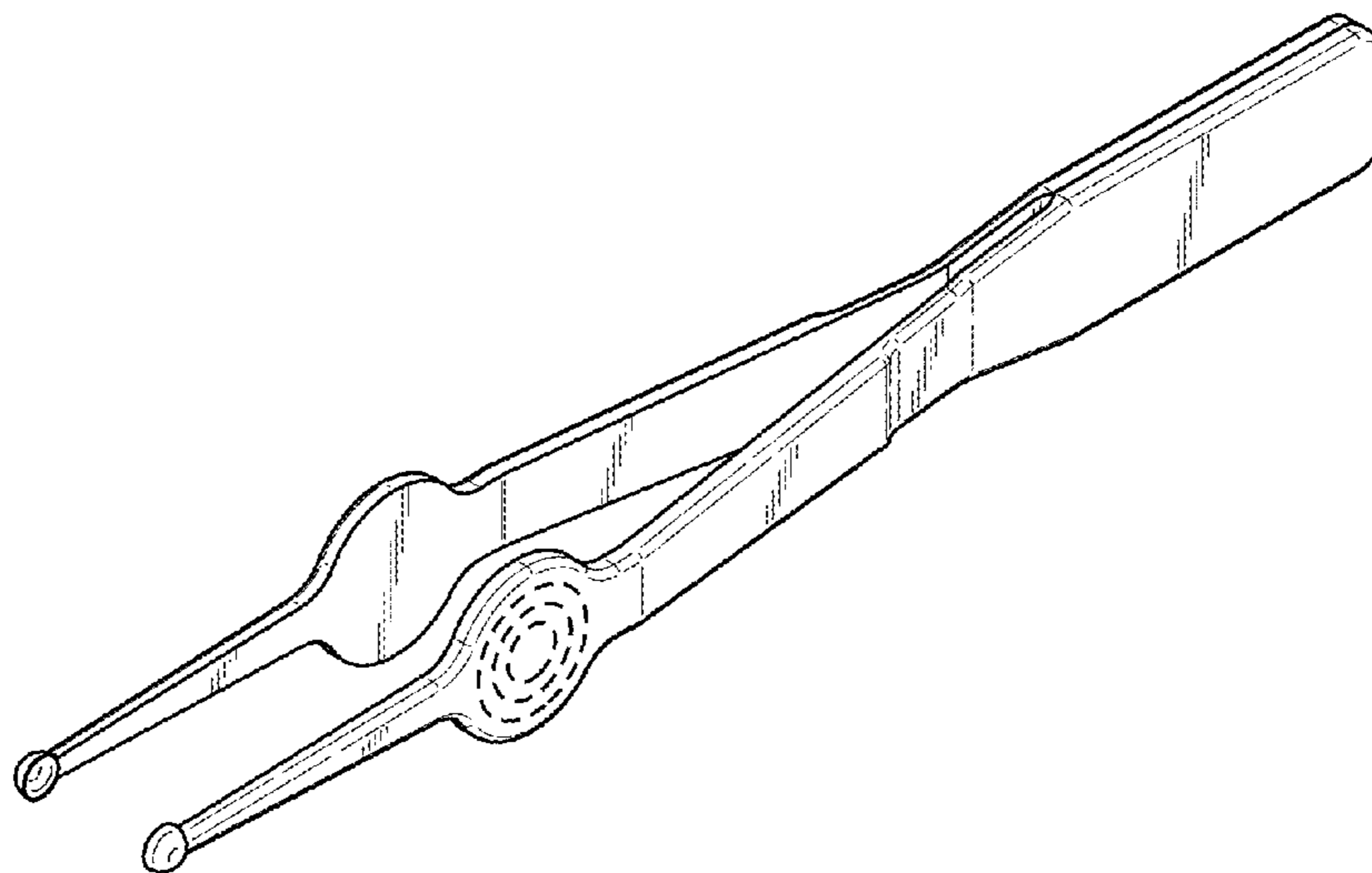
**U.S. PATENT DOCUMENTS**

896,338 A	1/1908	Tolman	
1,461,670 A	7/1923	Mills	
D138,784 S *	9/1944	Shonta	D28/55
D212,166 S	9/1968	Hill	
4,213,460 A	7/1980	Weiner	
4,226,459 A	10/1980	Natalicio	
4,593,694 A *	6/1986	Langenbach, Jr.	A61B 17/30 294/99.2
4,976,718 A *	12/1990	Daniell	A61B 17/30 294/902
5,002,323 A *	3/1991	Idsund	A61B 17/30 294/100
5,147,369 A	9/1992	Wagner	
D359,583 S *	6/1995	Abbo	D24/143
5,693,069 A	12/1997	Shallman	
5,971,940 A	10/1999	Baker et al.	
6,179,847 B1 *	1/2001	Possum	A61B 17/50 606/131
D454,981 S	3/2002	Lamagna et al.	

**DESCRIPTION**

FIG. 1 is a perspective view from one side of a tweezer with  
scoop tips showing our new design;  
FIG. 2 is a perspective view from the opposite side thereof;  
FIG. 3 is a top plan view thereof, the bottom view being  
identical;  
FIG. 4 is a front elevational view thereof, the rear view being  
identical;  
FIG. 5 is a left side elevational view thereof;  
FIG. 6 is a right side elevational view thereof; and,  
FIG. 7 is a top plan view thereof showing the tweezer with  
scoops in a state of use.  
The broken lines illustrate a portion of the tweezer with  
scoops and form no part of the claimed design.

**1 Claim, 2 Drawing Sheets**



(56)

**References Cited**

U.S. PATENT DOCUMENTS

D581,227	S *	11/2008	Pinkston .....	D7/686
D584,449	S *	1/2009	Shaljian .....	D24/143
D588,746	S *	3/2009	Ross .....	D28/55
7,621,742	B2 *	11/2009	Michaelson .....	A61C 3/10 294/99.2
8,052,700	B2 *	11/2011	Dunn .....	A61B 17/1128 606/157
D657,496	S	4/2012	Flatt	
8,844,193	B2 *	9/2014	Luongo .....	A01M 1/2094 43/132.1
D718,498	S *	11/2014	Gu .....	D28/55
2008/0312669	A1 *	12/2008	Vries .....	A61B 17/0493 606/148
2013/0245421	A1	9/2013	Andrus et al.	
2015/0148840	A1 *	5/2015	Francis .....	A45D 26/0066 606/210

OTHER PUBLICATIONS

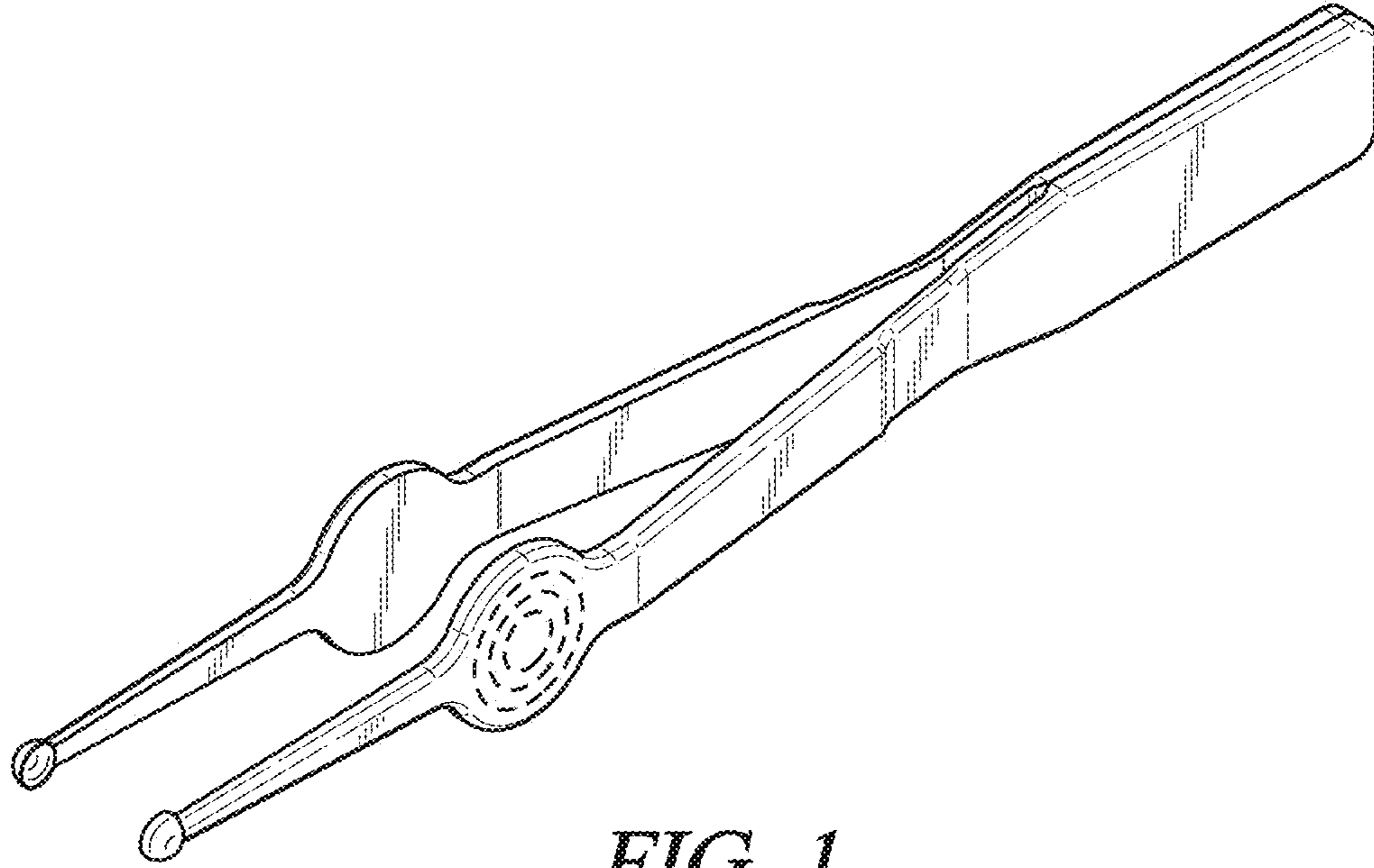
Integra Lifesciences Corporation, "Miltex Bennet Cilia Forceps", viewed on the Internet on Jun. 4, 2014, (<https://www.ebay.com/>).

Shenzhen Danver Gem Tool Co. Ltd., "Pearl Tweezers with Cupped Tips", viewed on the Internet on Jun. 4, 2014, (<http://jewelryloupe.com/>).

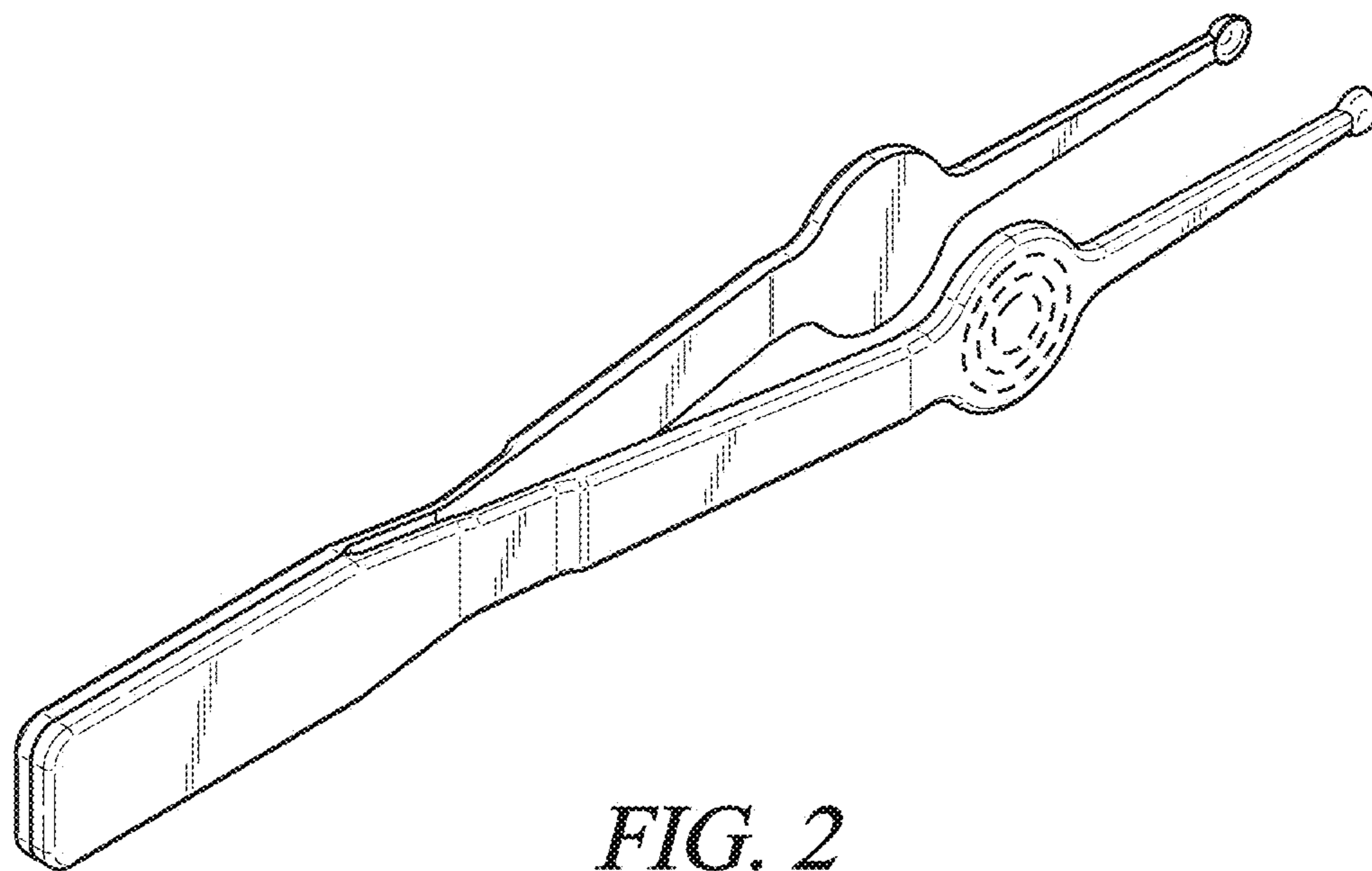
Artfire, "Quality Stainless Steel Pearl Tweezers—Cupped End Tweezers", viewed on the Internet on Jun. 4, 2014, (<https://www.artfire.com/>).

Integra Lifesciences Corporation, "Schaaf Foreign Body Forceps", viewed on the Internet on Jun. 5, 2014, (<http://militex.com/>).

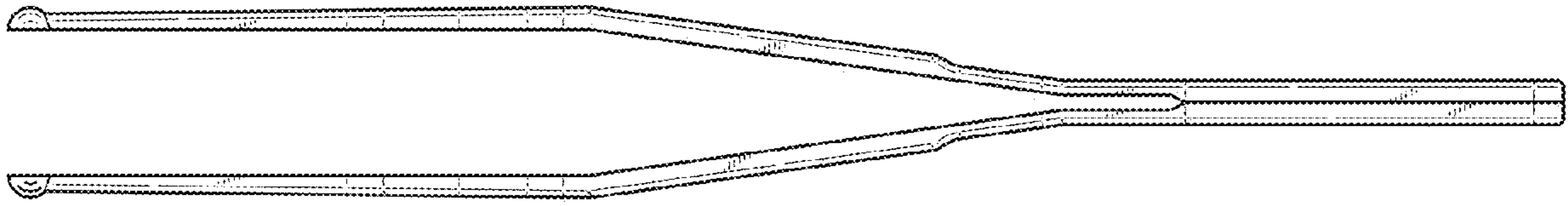
\* cited by examiner



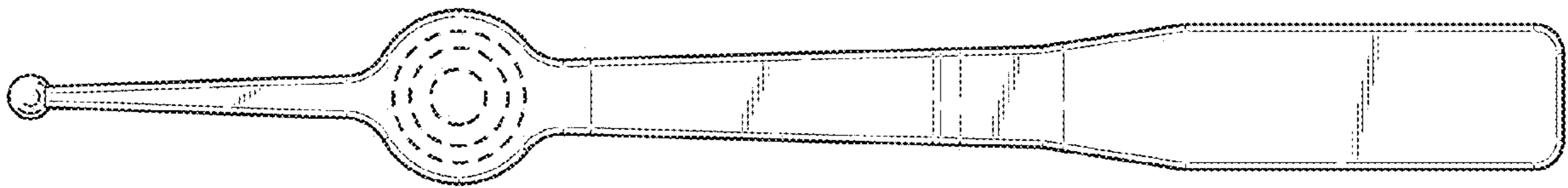
*FIG. 1*



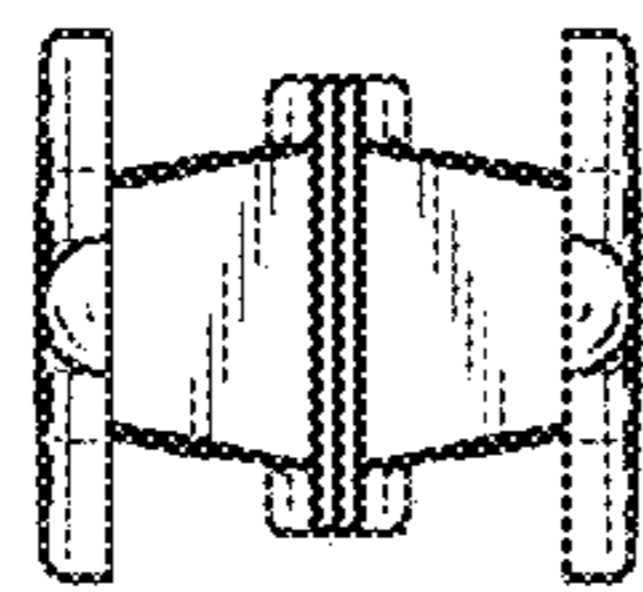
*FIG. 2*



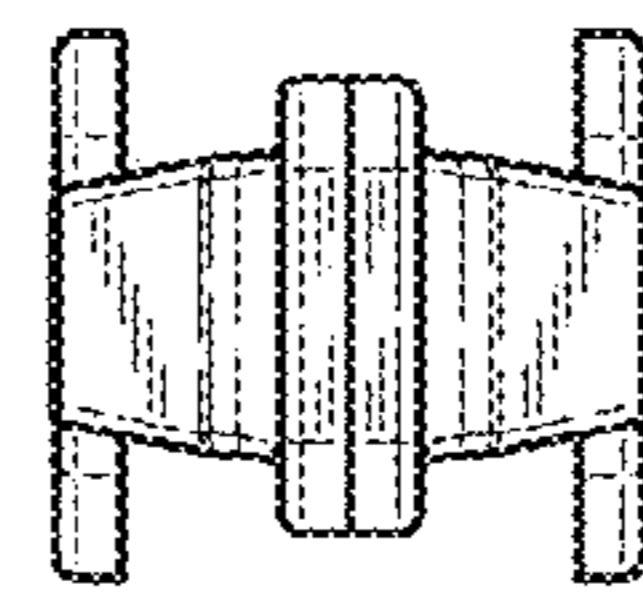
*FIG. 3*



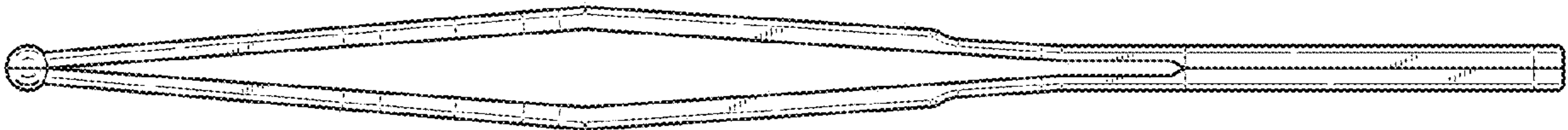
*FIG. 4*



*FIG. 5*



*FIG. 6*



*FIG. 7*