



US00D871672S

(12) **United States Design Patent** (10) **Patent No.:** **US D871,672 S**
Hongfei (45) **Date of Patent:** **** Dec. 31, 2019**

(54) **HAND DRYER**
(71) Applicant: **Penson & Co.**, Shanghai (CN)
(72) Inventor: **Zong Hongfei**, Shanghai (CN)
(73) Assignee: **PENSON & CO. LLC**, Shanghai (CN)
(**) Term: **15 Years**
(21) Appl. No.: **29/605,225**
(22) Filed: **May 24, 2017**
(51) **LOC (12) Cl.** **28-03**
(52) **U.S. Cl.**
USPC **D28/54.1**; D32/8
(58) **Field of Classification Search**
USPC D32/8; D28/12, 54.1, 58; D23/357, 361,
D23/385; D6/601, 604; D21/803, 804,
D21/322, 352, 504, 505, 662; D14/188,
D14/204; D26/72, 88
CPC A47K 10/48
See application file for complete search history.

D676,604 S * 2/2013 Liu D28/54.1
D742,591 S * 11/2015 Takiguchi D28/54.1
D758,019 S * 5/2016 Takiguchi D28/54.1
D830,636 S * 10/2018 Loong D28/54.1
D853,030 S * 7/2019 Fujigaya D28/54.1
2008/0256825 A1* 10/2008 Hsu A47K 10/48
34/529
2014/0141710 A1* 5/2014 Turrini-Rochford
F26B 21/004
454/284
2014/0212304 A1* 7/2014 Michael F04D 25/082
417/363
2015/0320268 A1* 11/2015 Steele A47K 10/48
34/241

* cited by examiner

Primary Examiner — Michelle E. Wilson
(74) *Attorney, Agent, or Firm* — Perkins Coie LLP

(57) **CLAIM**

The ornamental design for a hand dryer, as shown and described.

DESCRIPTION

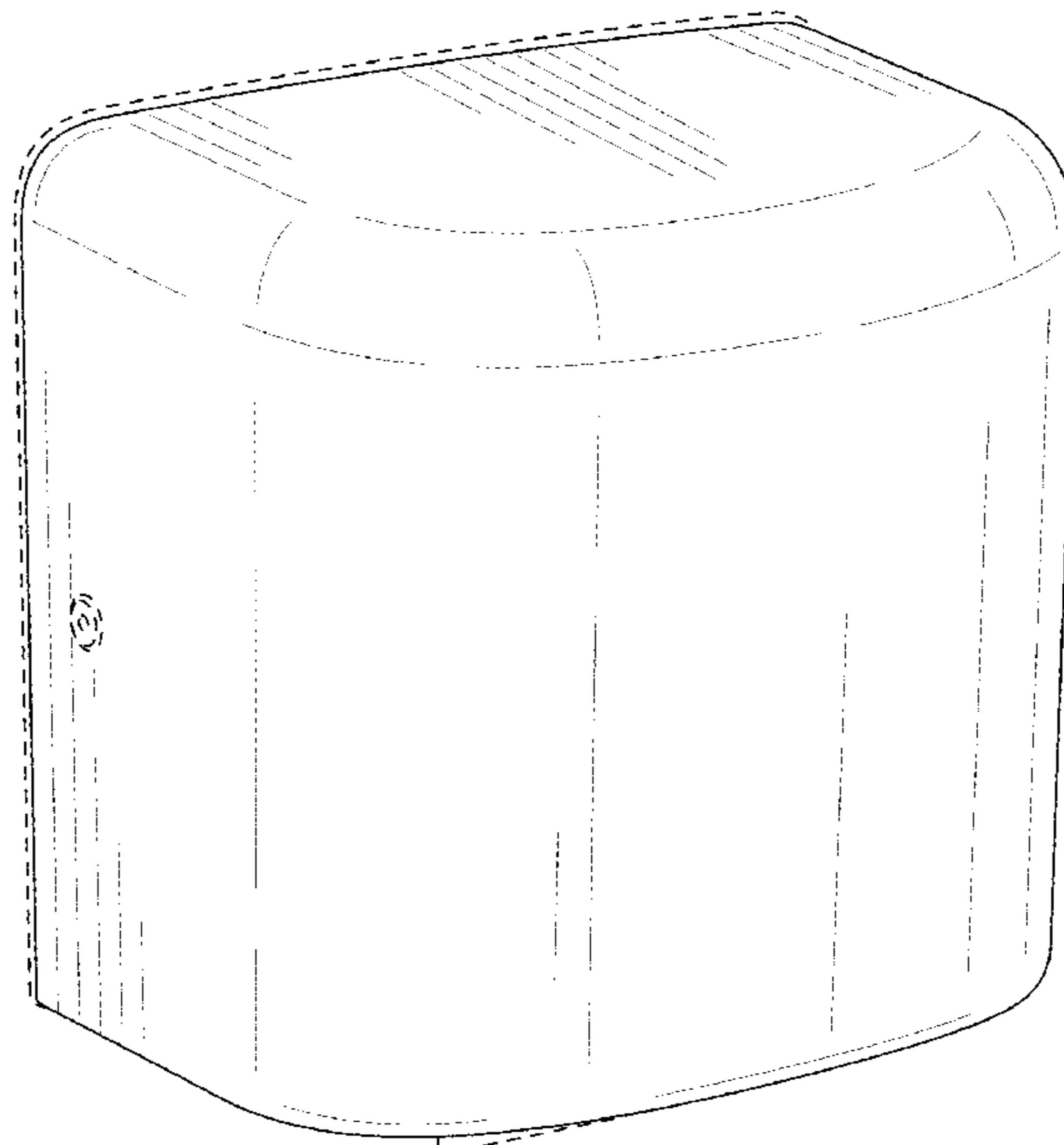
FIG. 1 is a perspective view of a hand dryer;
FIG. 2 is an alternative perspective view thereof;
FIG. 3 is a front elevation view thereof;
FIG. 4 is a rear elevation view thereof;
FIG. 5 is a right side elevation view thereof;
FIG. 6 is a left side elevation view thereof;
FIG. 7 is a top plan view thereof; and,
FIG. 8 is a bottom plan view thereof.
In the drawings, the surface finish of the hand dryer may be smooth/gloss, satin, brushed, or otherwise textured. No claim is made to texture or surface finish. Any broken lines (e.g., dash lines, dot lines, dash-dot-dash-dot lines) in the drawings illustrate portions of the hand dryer that form no part of the claimed design.

(56) **References Cited**

U.S. PATENT DOCUMENTS

D304,101 S * 10/1989 Mango D28/54.1
D309,037 S * 7/1990 Morrow D28/54.1
D359,582 S * 6/1995 Schremmer D28/54.1
D415,857 S * 10/1999 Ayre D28/54.1
D432,266 S * 10/2000 Lefebvre D28/54.1
D441,139 S * 4/2001 Hansen D28/54.1
D532,552 S * 11/2006 Hsu D28/54.1
D533,306 S * 12/2006 Hsu D28/54.1
D580,596 S * 11/2008 Hsu D28/54.1
D599,059 S * 8/2009 Clerch A47K 10/48
D28/54.1
D614,812 S * 4/2010 Liu D28/54.1
D622,908 S * 8/2010 Sau Clerch D28/54.1
D652,988 S * 1/2012 Schumann D28/19
D672,091 S * 12/2012 Dyson D28/54.1

1 Claim, 7 Drawing Sheets



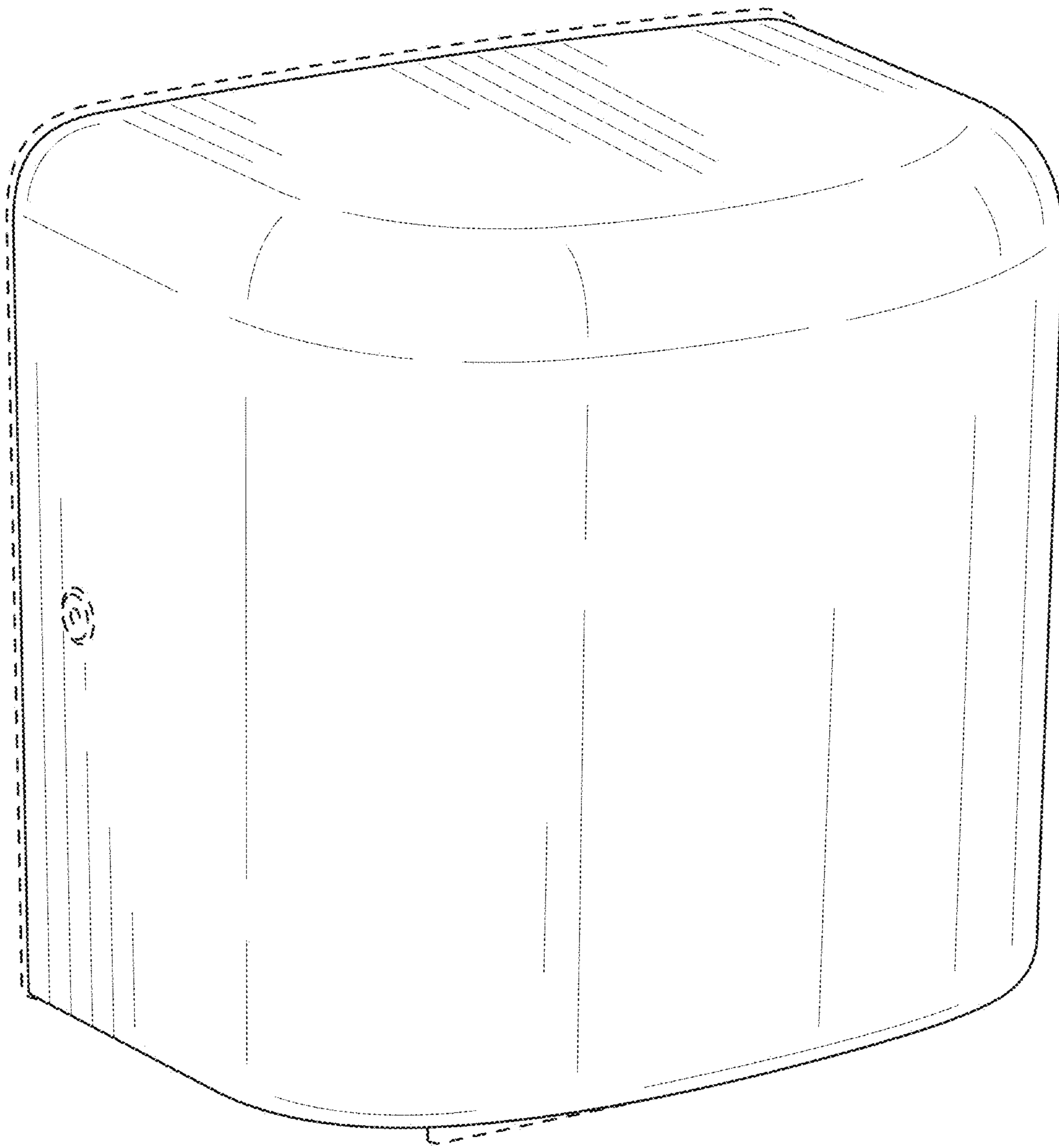


FIG. 1

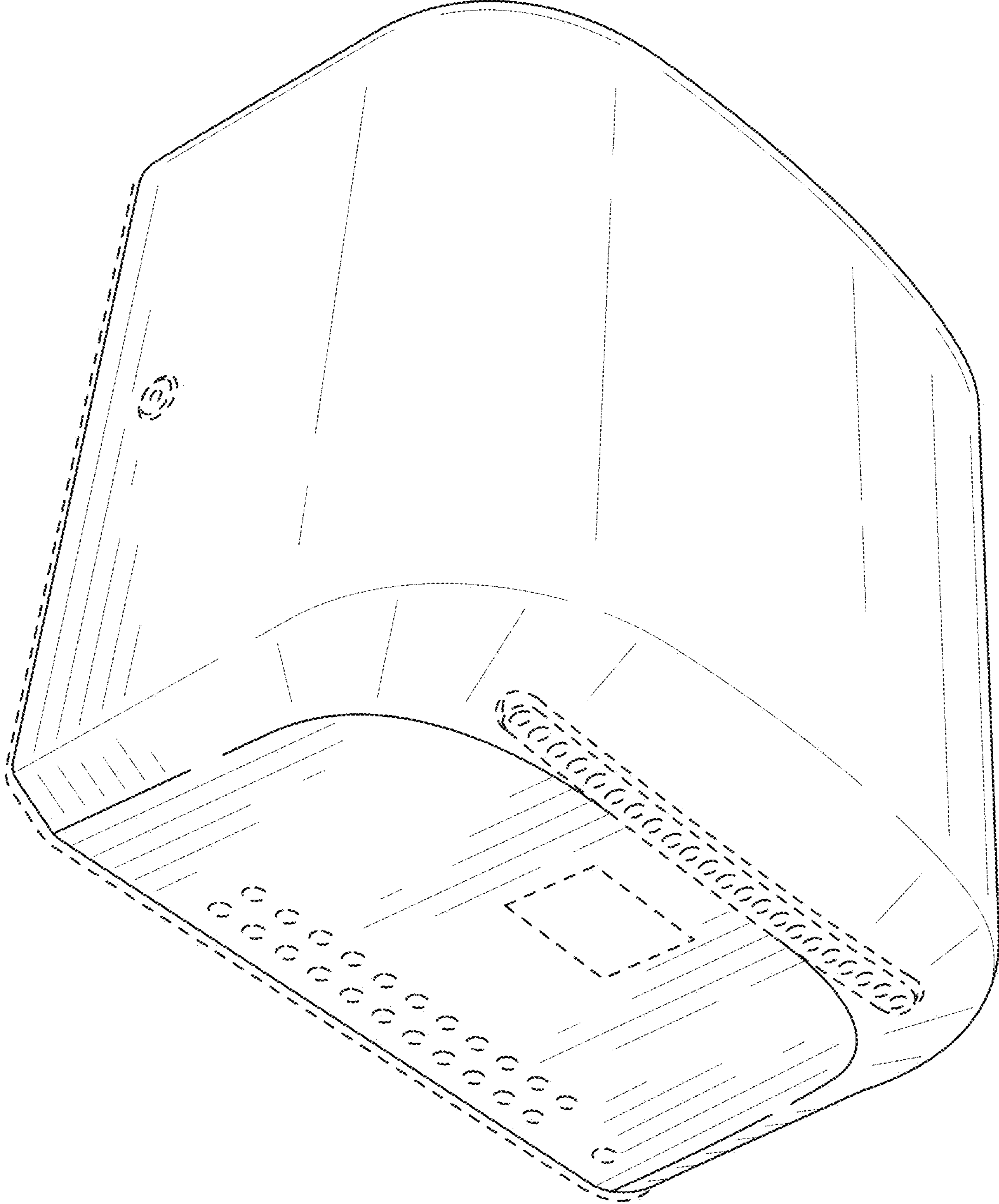


FIG. 2

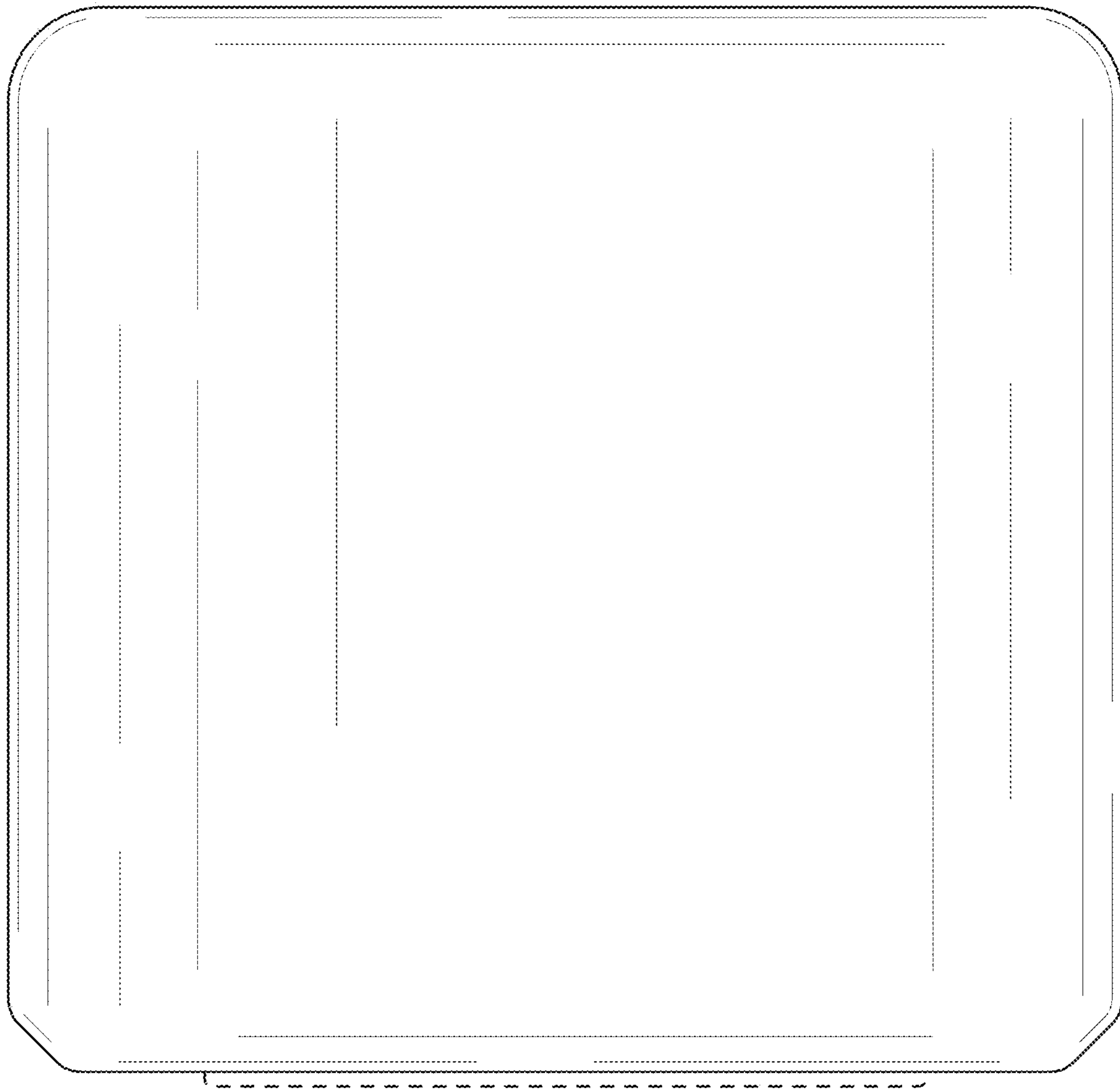


FIG. 3

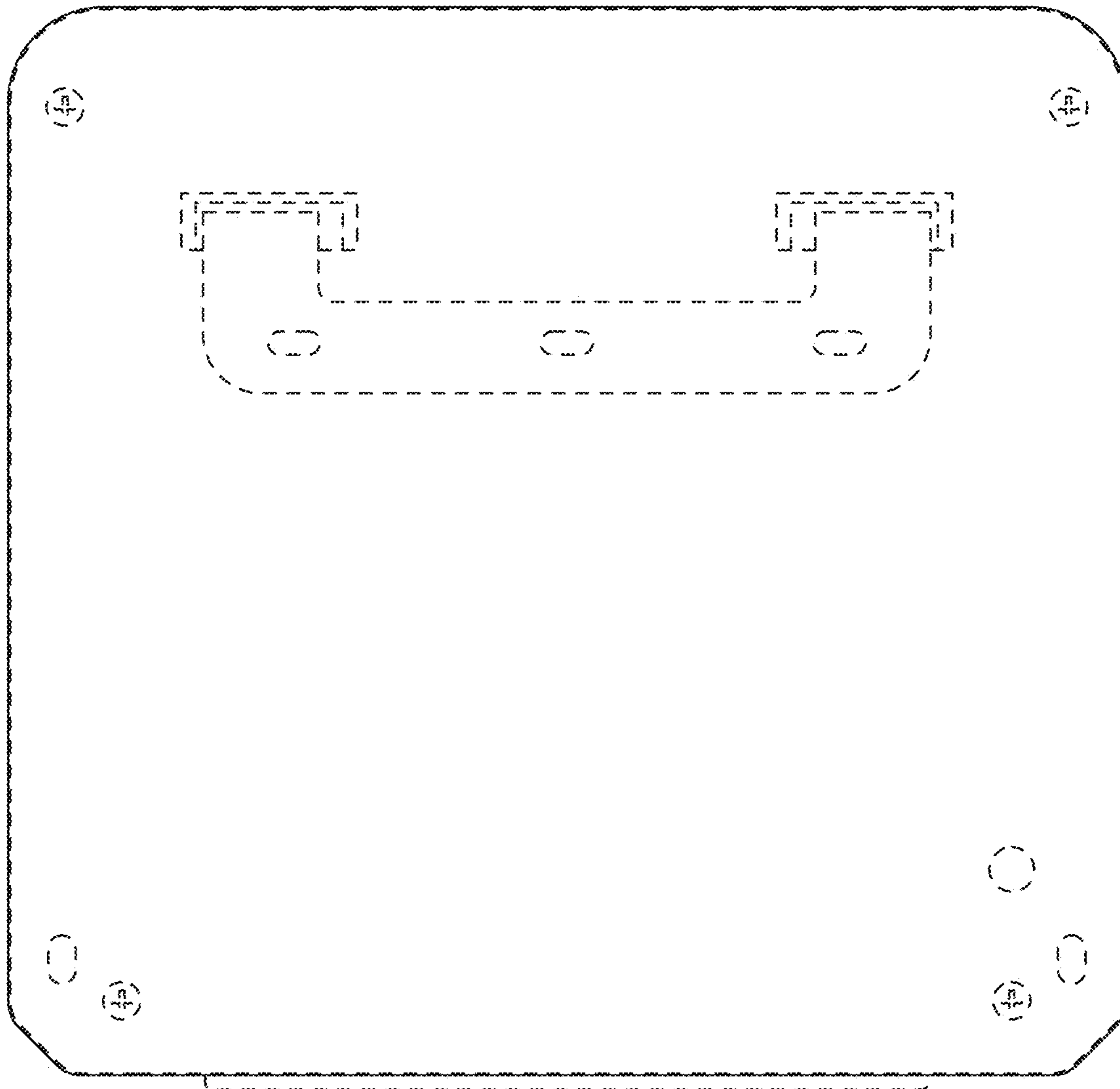


FIG. 4

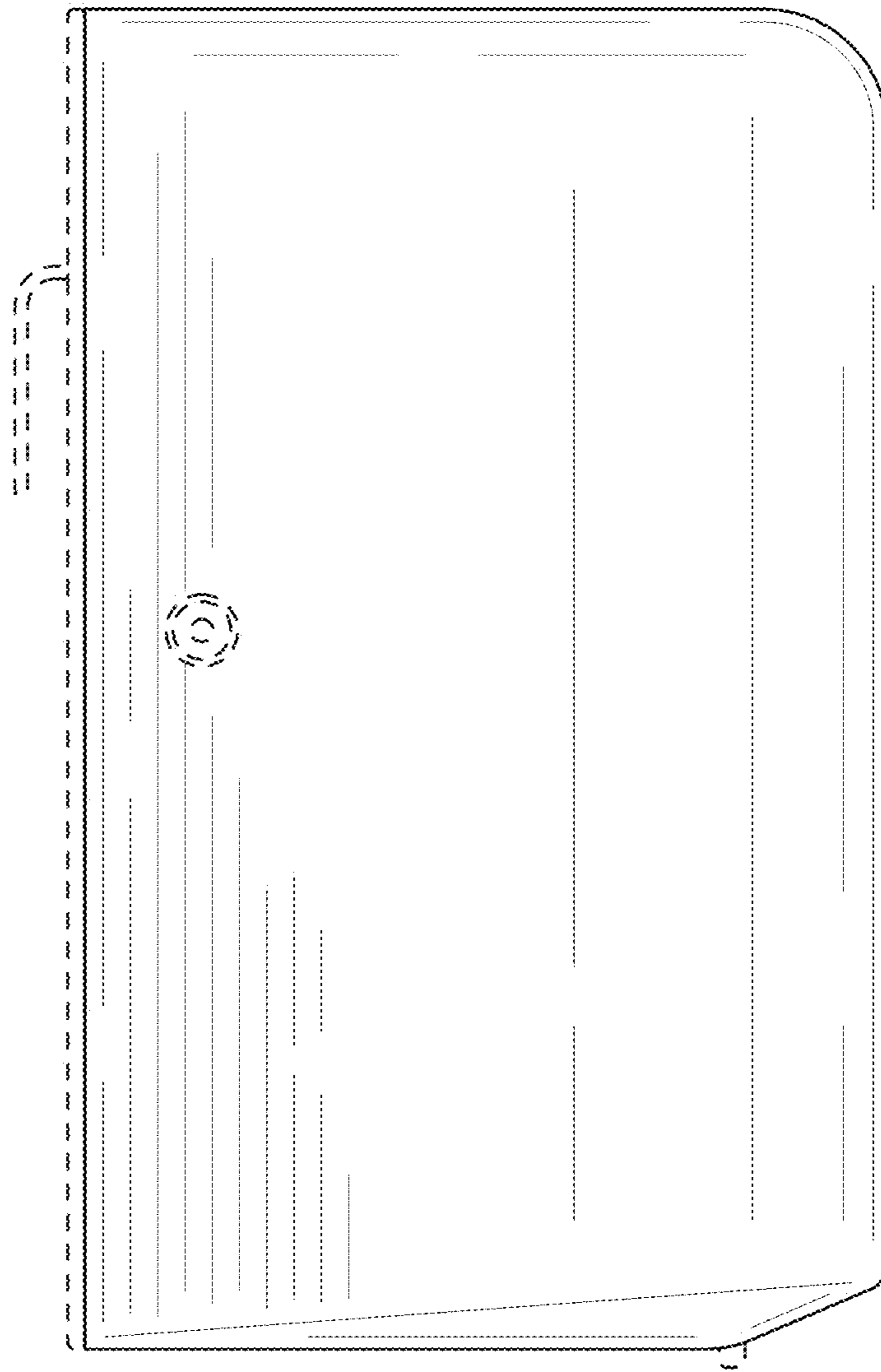


FIG. 5

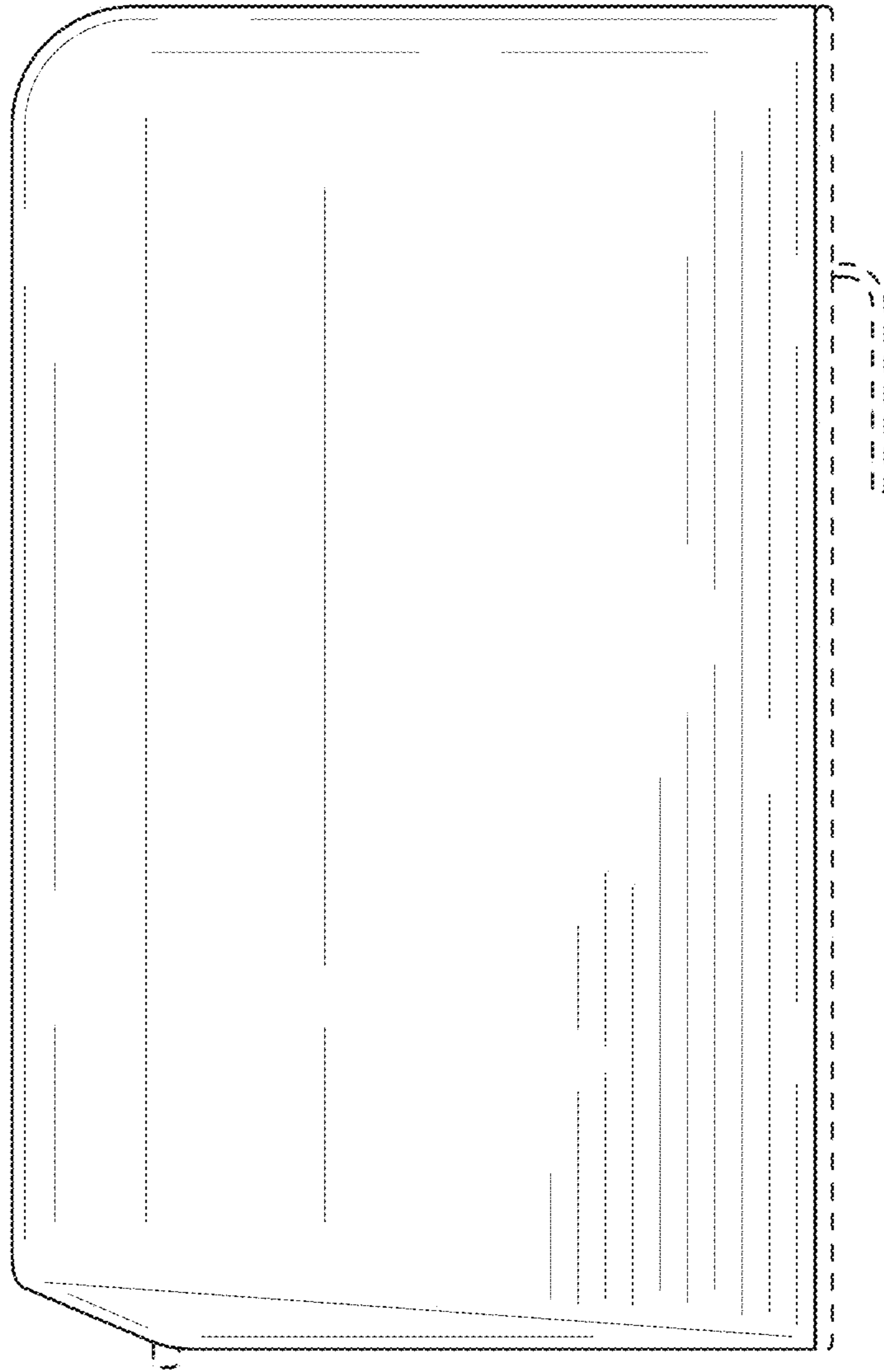


FIG. 6

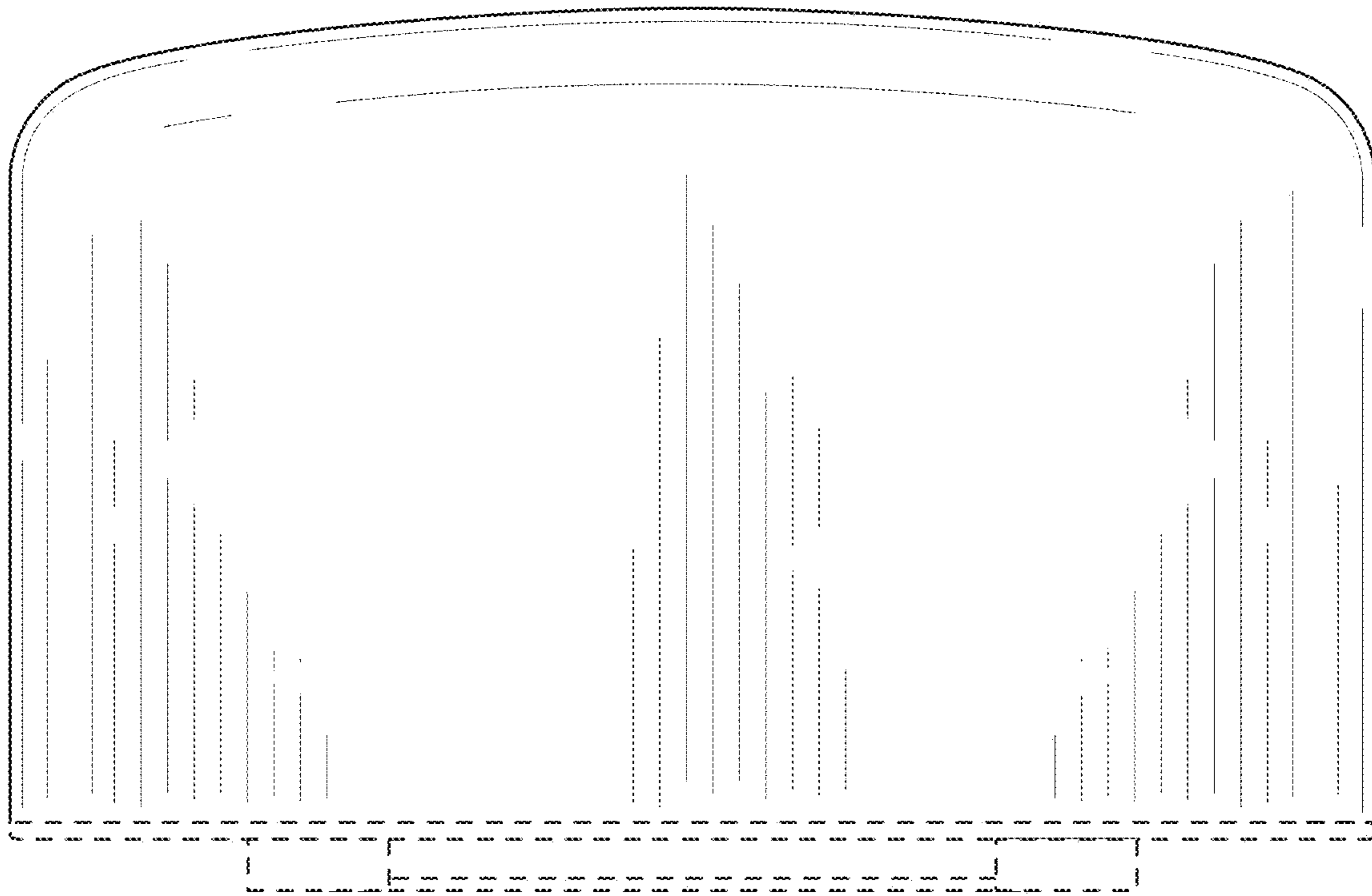


FIG. 7

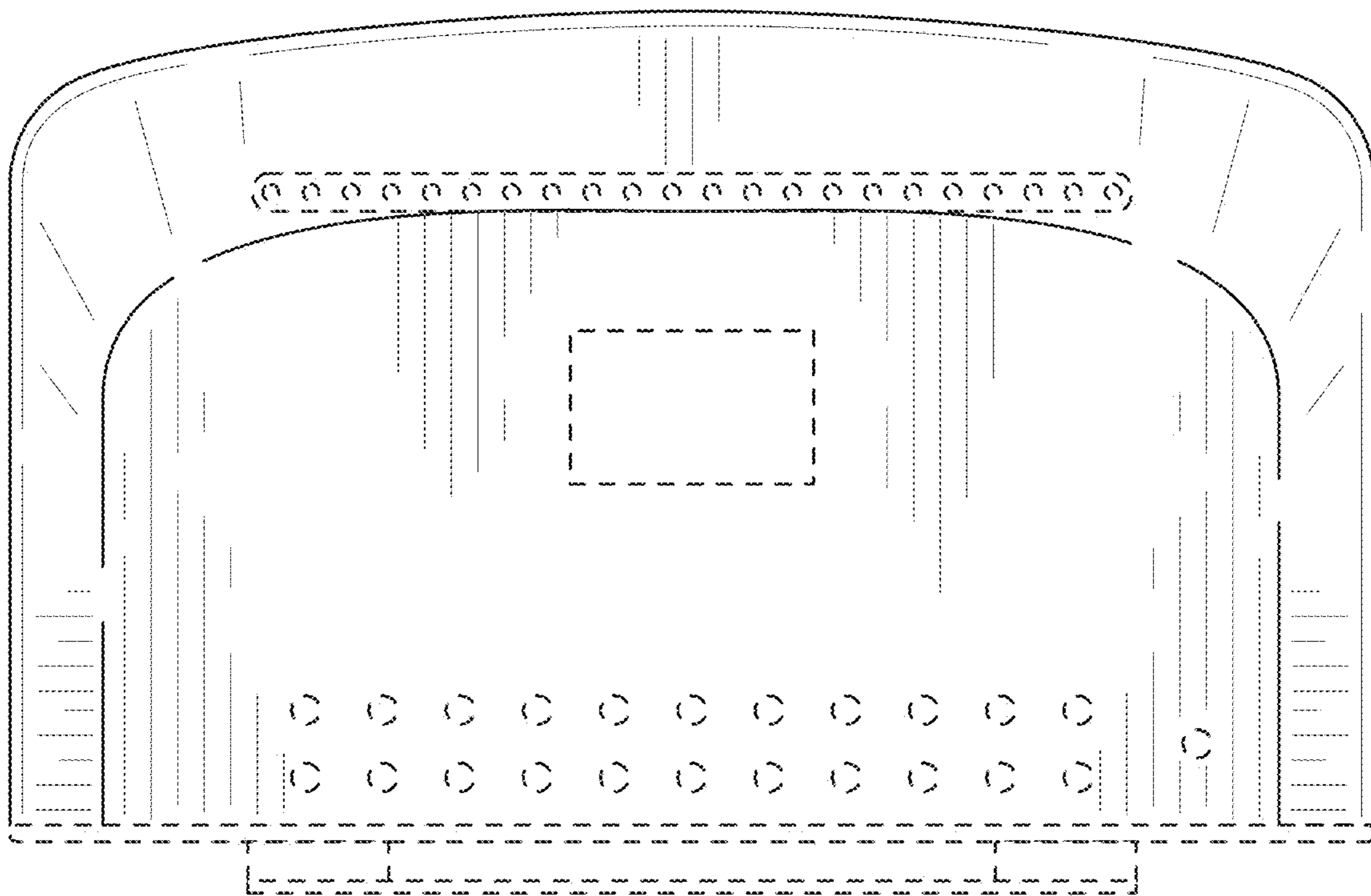


FIG. 8