



US00D871671S

(12) **United States Design Patent** (10) **Patent No.:** **US D871,671 S**
Garcia (45) **Date of Patent:** **** Dec. 31, 2019**

- (54) **HAIRCUTTING MACHINE BLADE**
- (71) Applicant: **Javier Aguilar Garcia**, Malaga (ES)
- (72) Inventor: **Javier Aguilar Garcia**, Malaga (ES)
- (**) Term: **15 Years**
- (21) Appl. No.: **35/504,500**
- (22) Filed: **Oct. 24, 2017**
- (80) **Hague Agreement Data**
 Int. Filing Date: **Oct. 24, 2017**
 Int. Reg. No.: **DM/099655**
 Int. Reg. Date: **Oct. 24, 2017**
 Int. Reg. Pub. Date: **Feb. 23, 2018**
- (51) **LOC (12) Cl.** **28-03**
- (52) **U.S. Cl.**
 USPC **D28/21**
 CPC **B24B 19/20** (2013.01)
- (58) **Field of Classification Search**
 USPC D28/49-54; 30/201
 CPC B26B 19/20-36; B26B 19/38-3886
 See application file for complete search history.

- (56) **References Cited**
 U.S. PATENT DOCUMENTS
 4,125,940 A * 11/1978 Ihasz B26B 19/20
 30/200
 4,614,032 A * 9/1986 Szabo B26B 21/40
 30/122
 D387,487 S * 12/1997 Sulik D28/53
 D435,694 S * 12/2000 Lebherz D28/53
 D445,541 S * 7/2001 Wursthorn D28/53
 D470,272 S * 2/2003 Fong D28/53
 D568,541 S * 5/2008 Micinilio D28/53
 7,624,506 B2 * 12/2009 Melton B26B 19/28
 30/210
 D616,606 S * 5/2010 Adams D28/47
 D617,951 S * 6/2010 Shen D28/54
 D620,201 S * 7/2010 Bishop D28/53

- D622,907 S * 8/2010 Schwer D28/53
- D628,745 S * 12/2010 Dingelstad D28/53
- D655,043 S * 2/2012 Tokar D28/54
- 8,484,853 B1 * 7/2013 Laube B26B 19/44
 30/133
- 8,627,830 B1 * 1/2014 Becker A45D 24/10
 132/148
- D748,862 S * 2/2016 Aulwes D28/54
- D758,663 S * 6/2016 Van Maanen D28/51
- D760,955 S * 7/2016 Haas D28/54
- D779,123 S * 2/2017 Mintz D28/54
- D791,410 S * 7/2017 Whittaker D28/54
- D813,459 S * 3/2018 Sinnott D28/54
- 2004/0025349 A1 * 2/2004 O B26B 19/40
 30/43.92
- 2006/0230621 A1 * 10/2006 Liao B26B 19/06
 30/223
- 2007/0289138 A1 * 12/2007 Worgull B26B 19/06
 30/43.1
- 2008/0072437 A1 * 3/2008 Michel A45D 24/22
 30/201
- 2008/0083113 A1 * 4/2008 Hong H01M 2/1653
 29/623.4
- 2008/0209741 A1 * 9/2008 Chen B26B 19/06
 30/238

(Continued)

Primary Examiner — Richard E Chilcot

(57) **CLAIM**

The ornamental design for a hair-cutting machine blade, as shown and described.

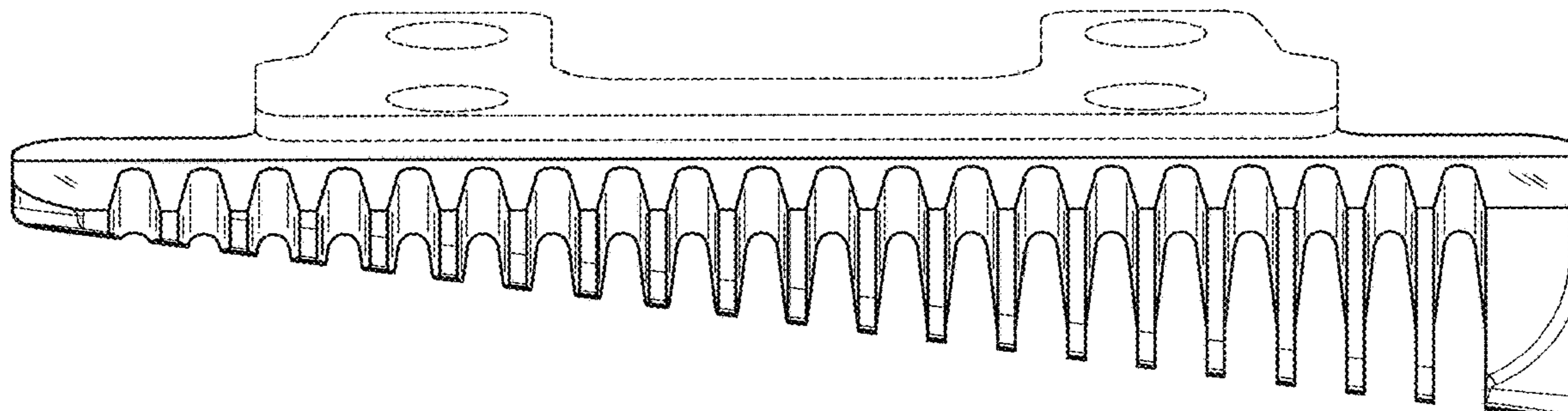
DESCRIPTION

1. Hair-cutting machine blade

- 1.1 : Front
- 1.2 : Back
- 1.3 : Bottom
- 1.4 : Top
- 1.5 : Right
- 1.6 : Left
- 1.7 : Perspective

The broken lines in the drawings depict environmental structure that forms no part of the claimed design.

1 Claim, 7 Drawing Sheets



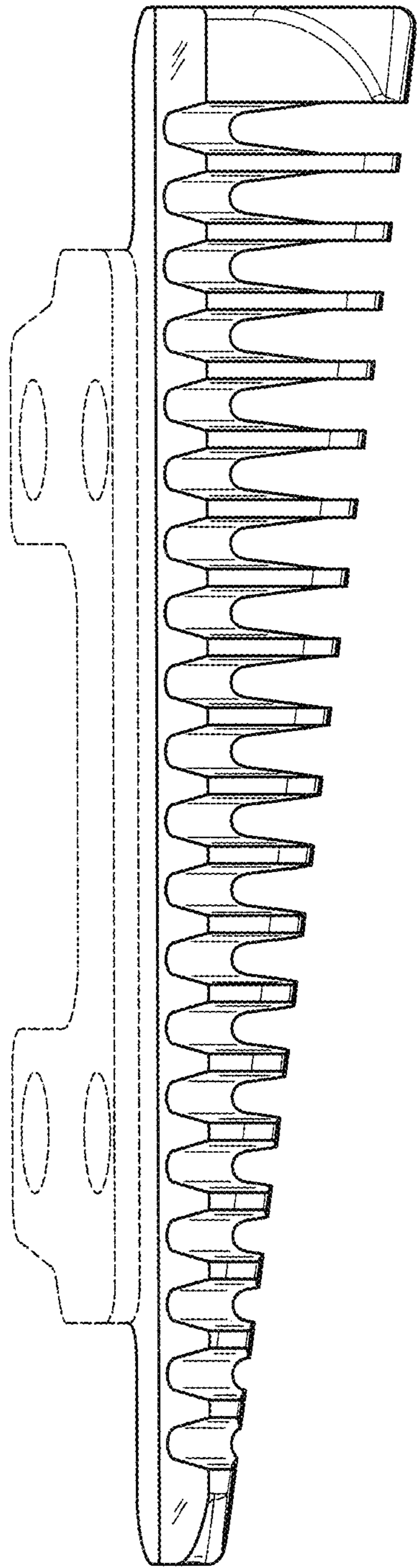
(56)

References Cited

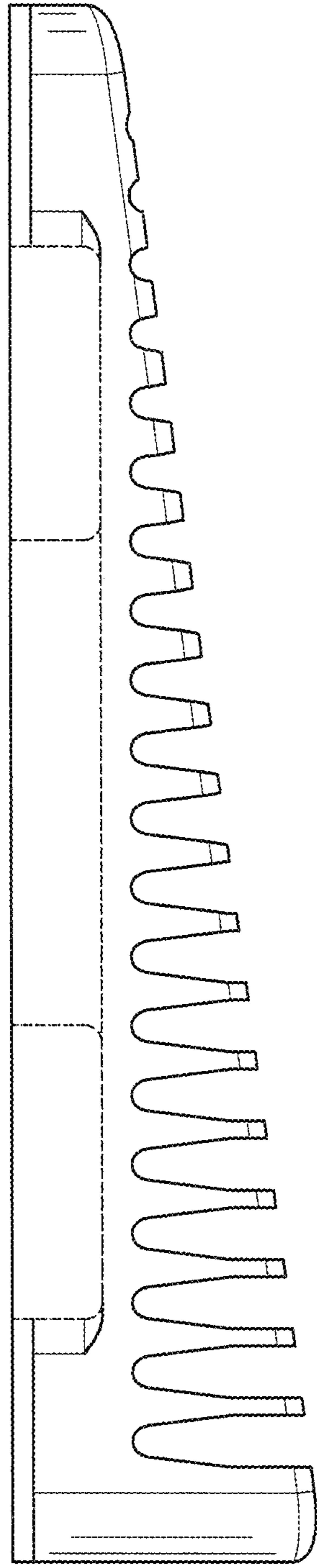
U.S. PATENT DOCUMENTS

2008/0282550 A1* 11/2008 Piwaron B26B 19/06
30/210
2012/0233865 A1* 9/2012 Kammer B26B 19/20
30/201
2013/0219724 A1* 8/2013 Werner B26B 19/20
30/201
2015/0183118 A1* 7/2015 Roth B26B 19/384
132/200

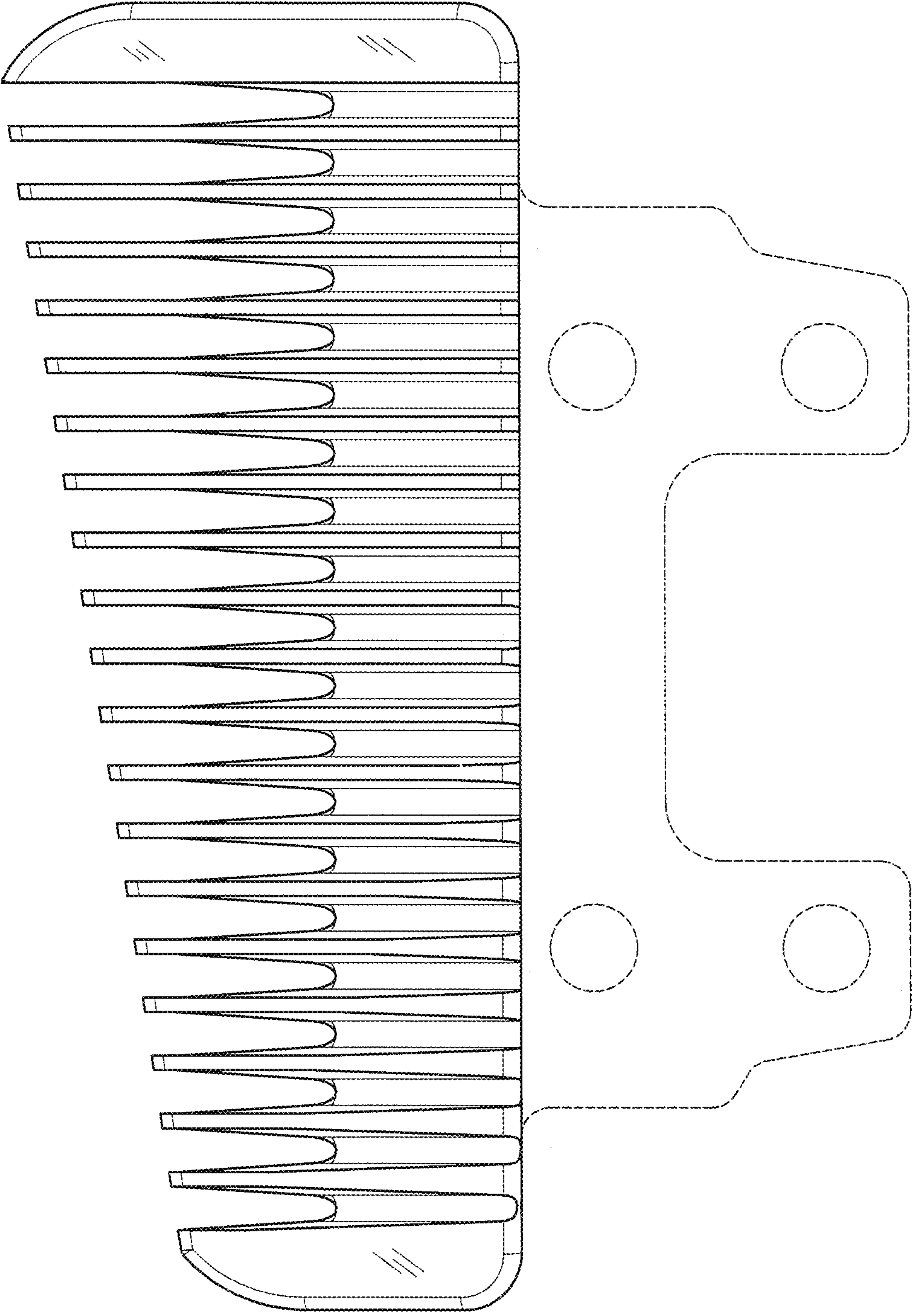
* cited by examiner



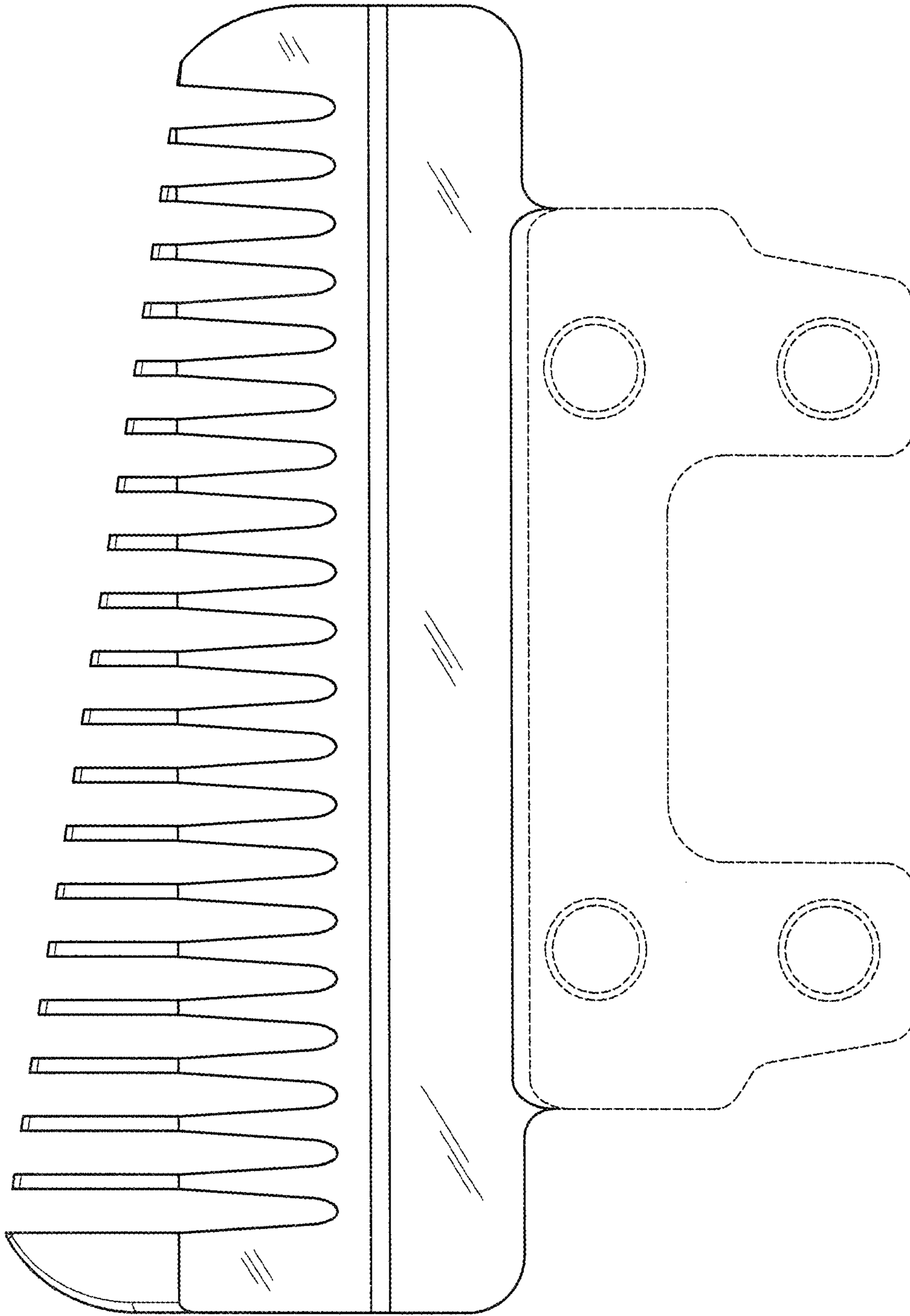
1.1



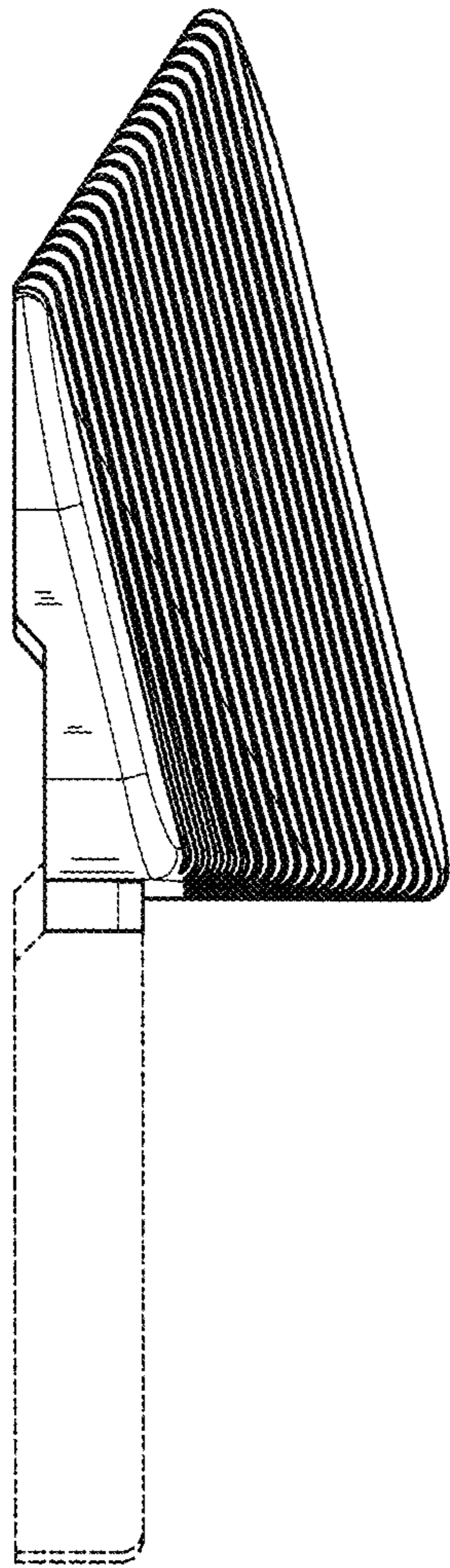
1.2



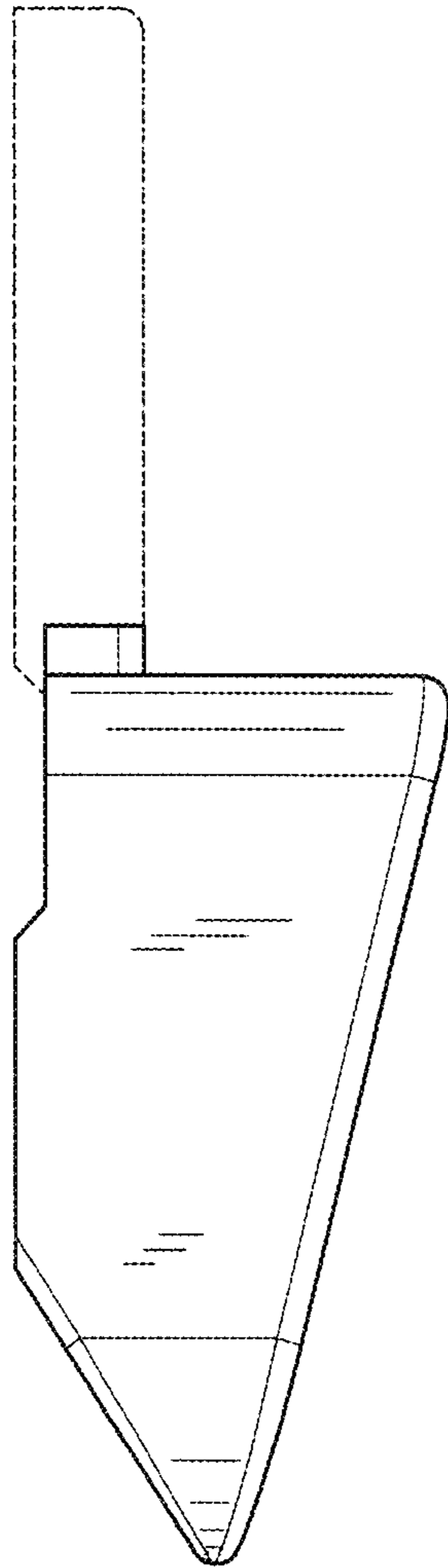
1.3



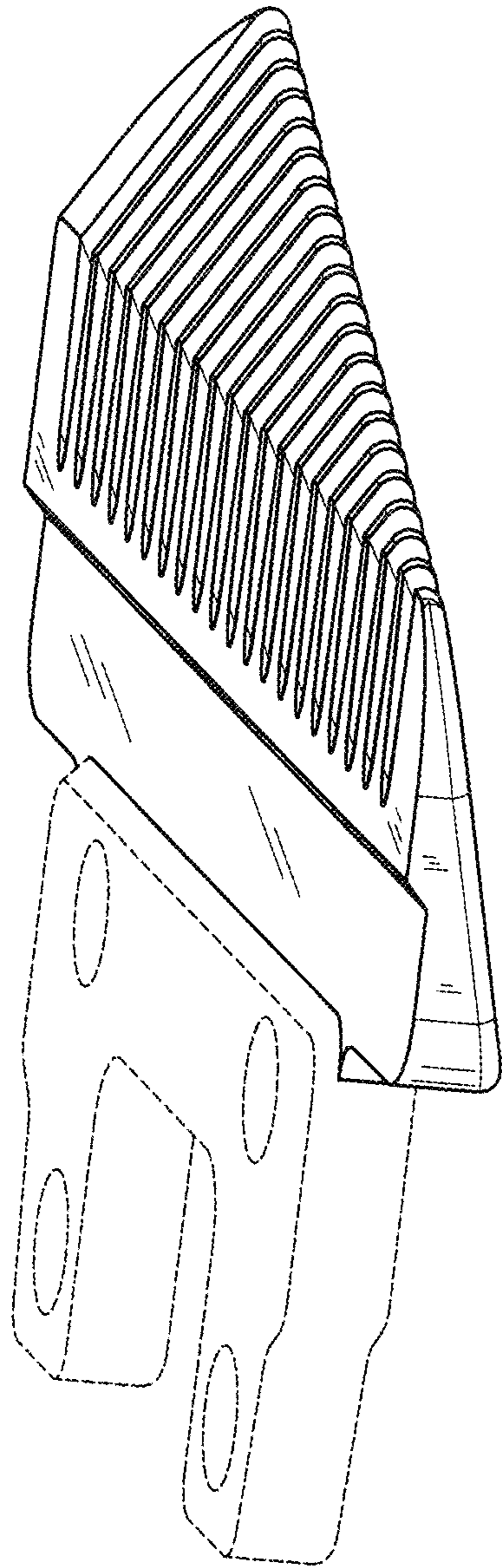
1.4



1.5



1.6



1.7