



US00D871669S

(12) **United States Design Patent** (10) **Patent No.:** **US D871,669 S**
Lee (45) **Date of Patent:** **** *Dec. 31, 2019**

(54) **E-LIQUID CARTRIDGE FOR AN ELECTRONIC CIGARETTE**

Primary Examiner — Marissa J Cash
(74) *Attorney, Agent, or Firm* — Michael D. Eisenberg

(71) Applicant: **ECS Global LLC**, Brea, CA (US)

(72) Inventor: **Young Min Lee**, Fullerton, CA (US)

(57) **CLAIM**

(*) Notice: This patent is subject to a terminal disclaimer.

The ornamental design for an e-liquid cartridge for an electronic cigarette, as shown and described.

(**) Term: **15 Years**

DESCRIPTION

(21) Appl. No.: **29/637,920**

(22) Filed: **Feb. 22, 2018**

(51) **LOC (12) Cl.** **27-99**

(52) **U.S. Cl.**
USPC **D27/194**

(58) **Field of Classification Search**
USPC D27/100, 101, 139–194; D23/366;
D7/416; D24/110; D19/101, 106, 115,
D19/165, 195
CPC A24F 47/008; A24F 47/002; A24F 7/00;
A24F 15/12
See application file for complete search history.

FIG. 1 is a perspective view of an e-liquid cartridge for an electronic cigarette showing my new design;
FIG. 2 is a top view of the e-liquid cartridge for an electronic cigarette;
FIG. 3 is a bottom view of the e-liquid cartridge for an electronic cigarette;
FIG. 4 is a front view of the e-liquid cartridge for an electronic cigarette;
FIG. 5 is a right side view of the e-liquid cartridge for an electronic cigarette;
FIG. 6 is a left side view of the e-liquid cartridge for an electronic cigarette;
FIG. 7 is a rear view of the e-liquid cartridge for an electronic cigarette.
FIG. 8 is a perspective view of a second embodiment of an e-liquid cartridge for an electronic cigarette;
FIG. 9 is a bottom view of the second embodiment of an e-liquid cartridge for an electronic cigarette;
FIG. 10 is a front view of the second embodiment of an e-liquid cartridge for an electronic cigarette;
FIG. 11 is a right side view of the second embodiment of an e-liquid cartridge for an electronic cigarette;
FIG. 12 is a rear view of the second embodiment of an e-liquid cartridge for an electronic cigarette; and,
FIG. 13 is a left side view of the second embodiment of an e-liquid cartridge for an electronic cigarette.
In the drawings, the broken lines depict portions of the e-liquid cartridge for an electronic cigarette that form no part of the claimed design.

(56) **References Cited**

U.S. PATENT DOCUMENTS

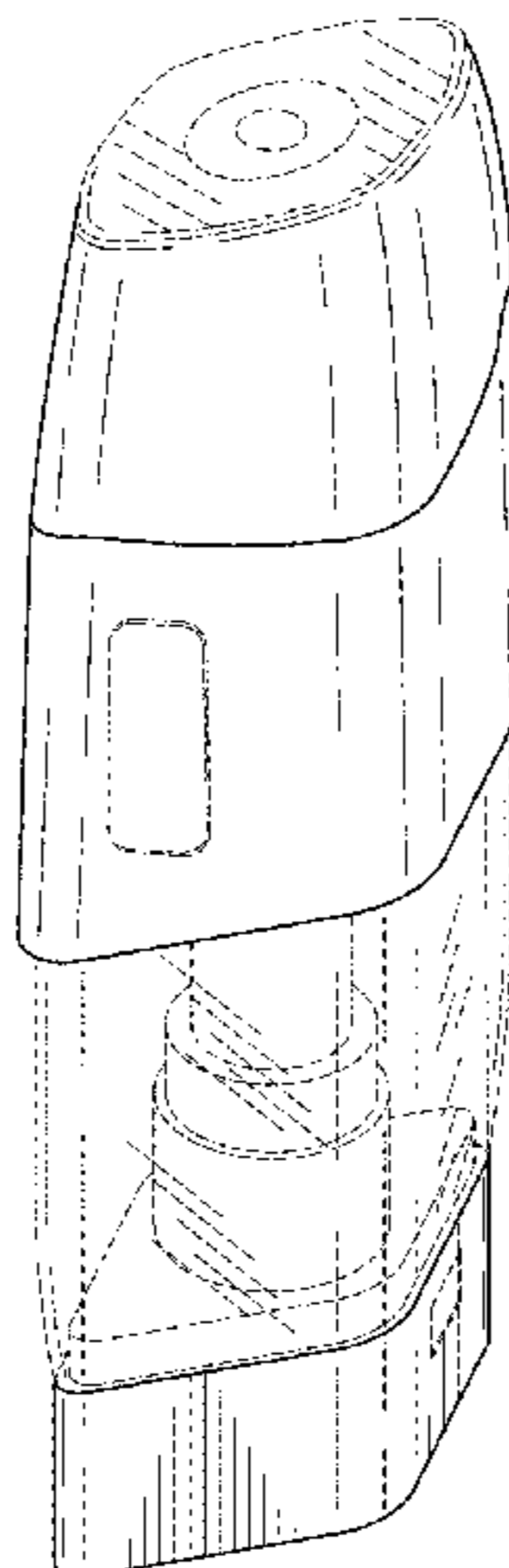
D143,585 S *	1/1946	Gostkowski	D27/160
D210,150 S *	2/1968	Newman	D27/158
D257,519 S *	11/1980	Plozner	D27/154
D259,062 S *	4/1981	Stutzer	D27/154
D453,792 S *	2/2002	Tung	D19/165
D458,707 S *	6/2002	Najar	D27/165
D474,306 S *	5/2003	Chemla	D27/154
D498,329 S *	11/2004	Cohen Harel	D27/154
D532,927 S *	11/2006	Sann	D27/101
D552,791 S *	10/2007	Toffler	D27/161

(Continued)

OTHER PUBLICATIONS

A Full Review Of The PHIX Vape and E-Cigarette by Vape Door.
dated Jan. 17, 2018. found online [Dec. 19, 2018] <https://vapetodoor.com/phix-vape-review/>.*

1 Claim, 6 Drawing Sheets



(56)

References Cited

U.S. PATENT DOCUMENTS

7,320,399 B2 * 1/2008 Ghini B65D 85/1009
 206/268
 D576,679 S * 9/2008 Briggl D19/195
 D607,316 S * 1/2010 Verebelyi D27/189
 D611,583 S * 3/2010 Jorgensen D23/366
 D615,699 S * 5/2010 Vordenberg D27/102
 D625,465 S * 10/2010 Clavero D27/154
 D661,015 S * 5/2012 Logue D27/172
 D663,892 S * 7/2012 Arcos Bellvehi D27/172
 D669,123 S * 10/2012 Jiang D19/165
 D675,777 S * 2/2013 Wu D27/101
 D682,090 S * 5/2013 Scatterday D9/430
 D685,028 S * 6/2013 Zander D19/195
 D686,621 S * 7/2013 Pawlus D14/411
 D721,202 S * 1/2015 Liu D27/101
 D725,310 S * 3/2015 Eksouzian D27/101
 D725,821 S * 3/2015 Levin D27/101
 D750,320 S * 2/2016 Verleur A24F 47/008
 D751,249 S * 3/2016 Chen D27/101
 D752,284 S * 3/2016 Doster D27/189
 D756,030 S * 5/2016 Chen D27/101
 D759,303 S * 6/2016 Afridi D27/101
 D760,948 S * 7/2016 Eksouzian D27/101
 D762,003 S * 7/2016 Lomeli D27/163
 D763,502 S * 8/2016 Verleur D27/167
 D773,727 S * 12/2016 Eksouzian D27/101
 D775,412 S * 12/2016 Di Bari D27/101
 D776,337 S * 1/2017 Levin D27/101
 D776,338 S * 1/2017 Lomeli D27/163
 D776,869 S * 1/2017 Heidl D27/163
 D778,493 S * 2/2017 Scott D27/101
 D779,719 S * 2/2017 Qiu D27/101
 D784,609 S * 4/2017 Liu D27/101
 D784,610 S * 4/2017 Bosch D27/101
 D786,497 S * 5/2017 Sudlow D27/162
 D788,697 S * 6/2017 Verleur D13/103
 D790,680 S * 6/2017 Afridi D23/366
 D792,021 S * 7/2017 Beer D27/101
 D792,643 S * 7/2017 Wong D27/101
 D795,496 S * 8/2017 Beer D27/101
 D799,110 S * 10/2017 Qiu D27/101
 D799,112 S * 10/2017 Qiu D27/101
 D799,113 S * 10/2017 Qiu D27/101
 D799,744 S * 10/2017 Qiu D27/101
 D800,383 S * 10/2017 Verleur D27/167
 D805,248 S * 12/2017 Chen D27/170
 D805,684 S * 12/2017 Thuery D27/101
 D807,575 S * 1/2018 Luo D27/141
 D808,071 S * 1/2018 Folkerts D27/101
 D809,706 S * 2/2018 Martin D27/141
 D811,003 S * 2/2018 Folyan D27/101

D811,005 S * 2/2018 Fath D27/189
 D812,289 S * 3/2018 Ward D27/172
 D812,290 S * 3/2018 Ward D27/172
 D813,447 S * 3/2018 Watson D27/162
 D815,341 S * 4/2018 Qiu D27/101
 D818,636 S * 5/2018 Qiu D27/101
 D819,263 S * 5/2018 Zhu D27/101
 D819,881 S * 6/2018 Qiu D27/101
 D822,271 S * 7/2018 Eksouzian D27/101
 D822,896 S * 7/2018 Durand D27/101
 D824,093 S * 7/2018 Kauss D27/101
 D824,096 S * 7/2018 Qiu D27/167
 D825,099 S * 8/2018 Wright D27/101
 D825,102 S * 8/2018 Bowen D27/167
 D825,834 S * 8/2018 Chen D27/101
 D825,844 S * 8/2018 Verleur D27/167
 D827,195 S * 8/2018 Chen D27/101
 D829,371 S * 9/2018 Durand D27/101
 D829,372 S * 9/2018 Huang D27/101
 D829,373 S * 9/2018 Huang D27/101
 D829,977 S * 10/2018 Stone D27/101
 D829,978 S * 10/2018 Stone D27/101
 D829,980 S * 10/2018 Qiu D27/162
 D830,625 S * 10/2018 Stone D27/101
 D831,885 S * 10/2018 Wang D27/101
 D832,499 S * 10/2018 Qiu D27/162
 D832,500 S * 10/2018 Qiu D27/162
 D834,246 S * 11/2018 Qiu D27/162
 D834,702 S * 11/2018 Evans D24/110
 D834,744 S * 11/2018 Zhu D27/101
 D835,337 S * 12/2018 Beer D27/162
 D836,190 S * 12/2018 Evans D24/110
 2013/0140200 A1 * 6/2013 Scatterday A24F 15/00
 206/265
 2014/0053857 A1 * 2/2014 Liu A24F 47/008
 131/329
 2015/0034104 A1 * 2/2015 Zhou A24F 47/008
 131/329
 2016/0198763 A1 * 7/2016 Adkins A24F 15/12
 224/183
 2016/0353805 A1 * 12/2016 Hawes A24F 47/008
 2017/0258142 A1 * 9/2017 Hatton A24F 47/008
 2017/0259170 A1 * 9/2017 Bowen A24F 47/008
 2017/0280770 A1 * 10/2017 Wang A24F 47/008
 2018/0042302 A1 * 2/2018 Robinson A61M 15/06
 2018/0043114 A1 * 2/2018 Bowen A61M 15/003
 2018/0077967 A1 * 3/2018 Hatton A61M 11/042
 2018/0098568 A1 * 4/2018 Qiu A24F 7/00
 2018/0098571 A1 * 4/2018 Watson A24F 47/008
 2018/0177234 A1 * 6/2018 Lee A24F 9/16
 2018/0213847 A1 * 8/2018 Reevell A24F 47/008
 2018/0279674 A1 * 10/2018 Watson A24F 7/02
 2018/0279682 A1 * 10/2018 Guo A24F 47/008

* cited by examiner

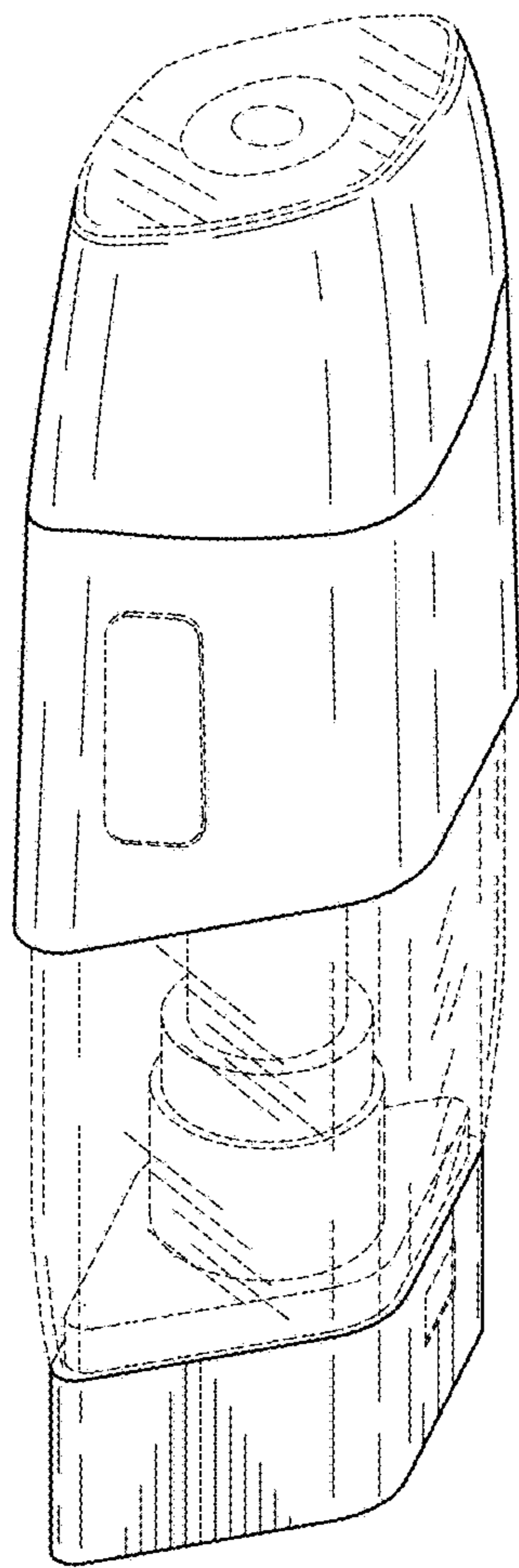


FIG. 1

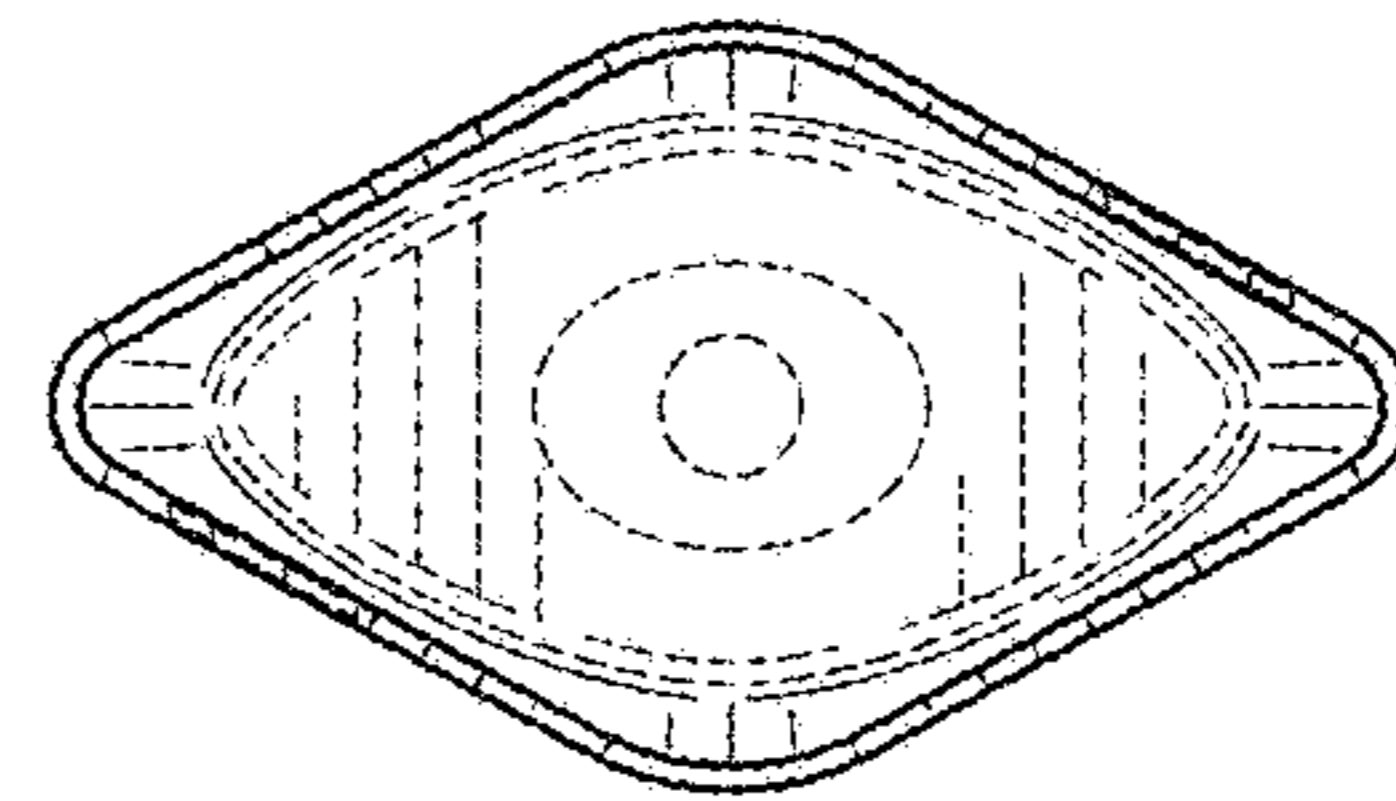


FIG. 2

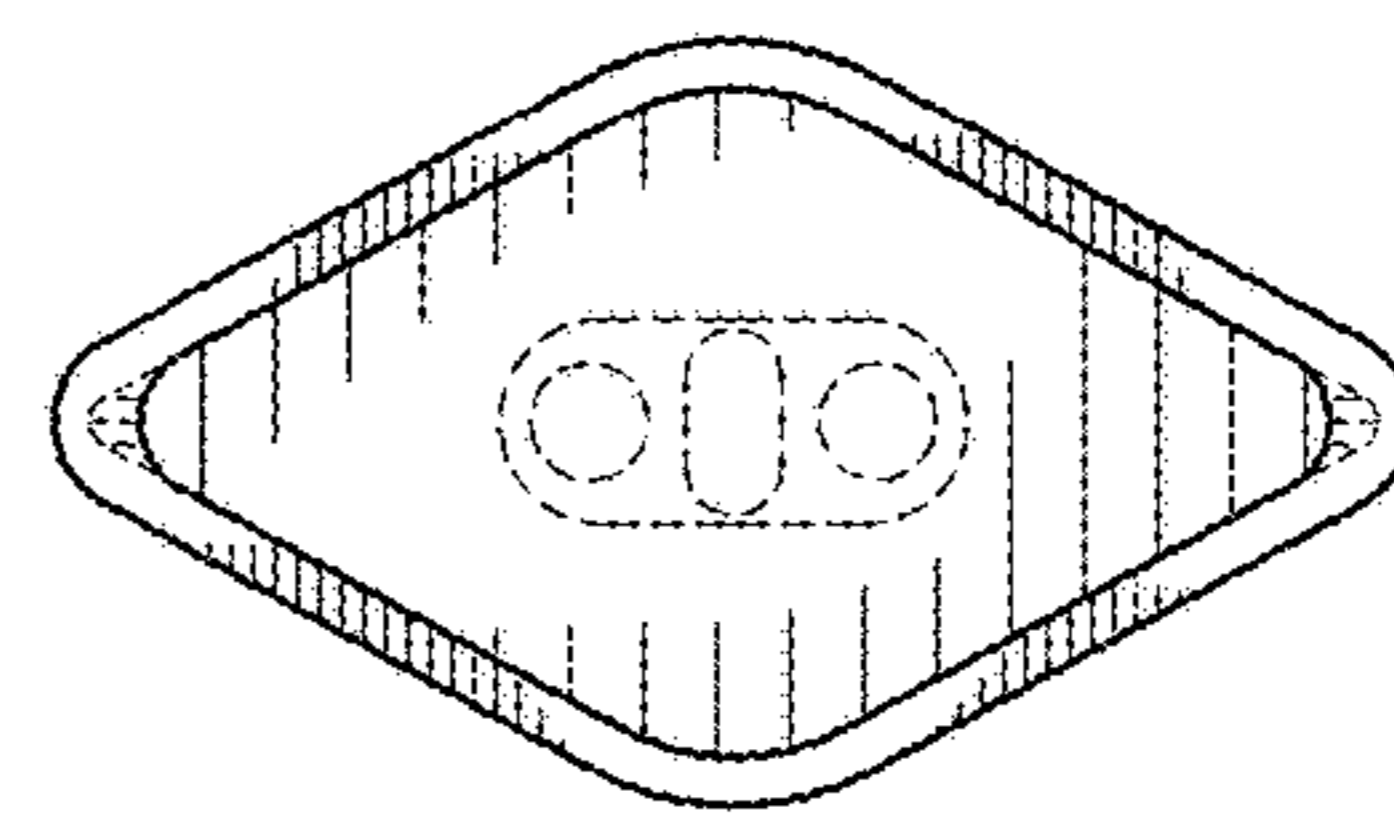


FIG. 3

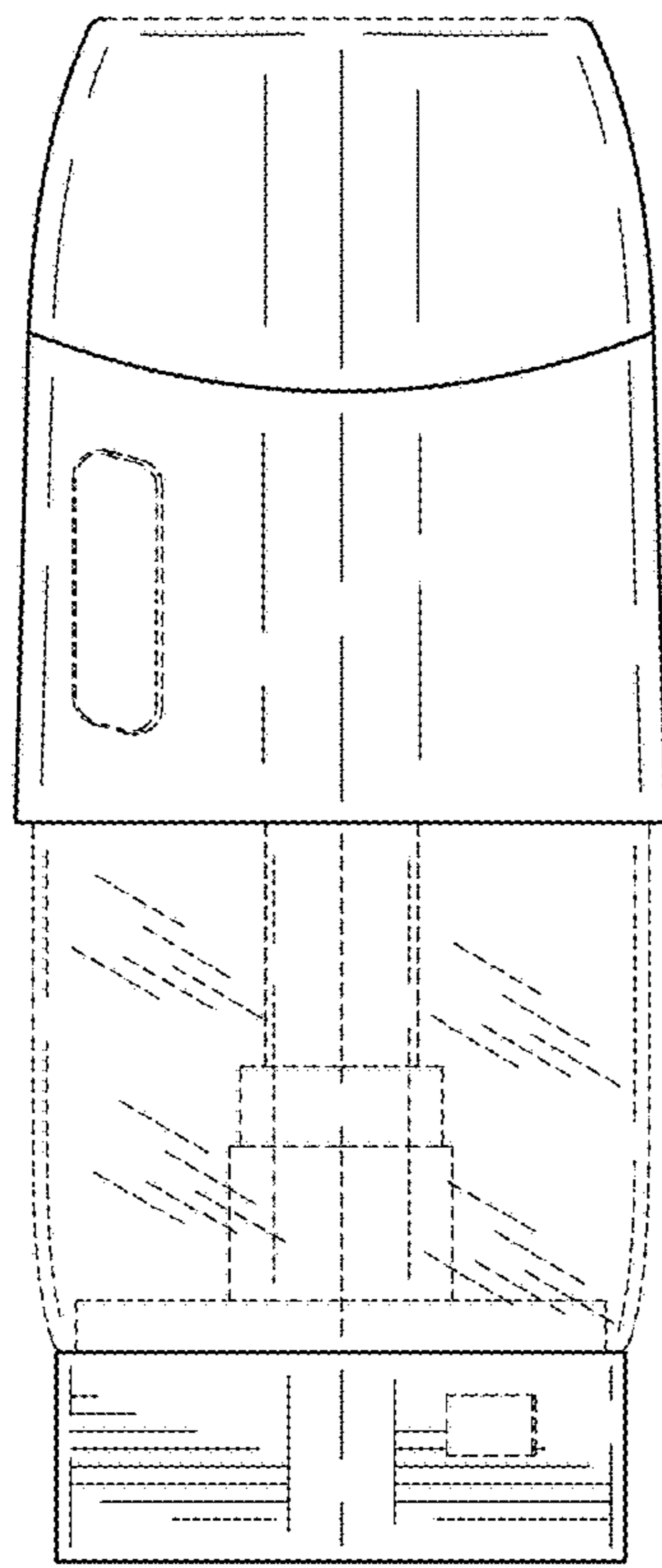
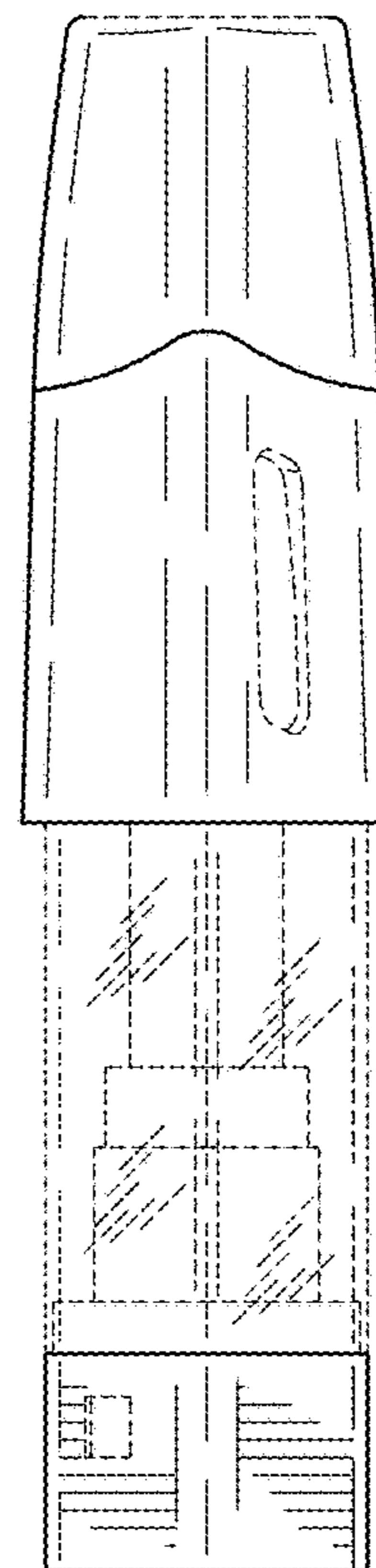


FIG. 4

FIG. 5



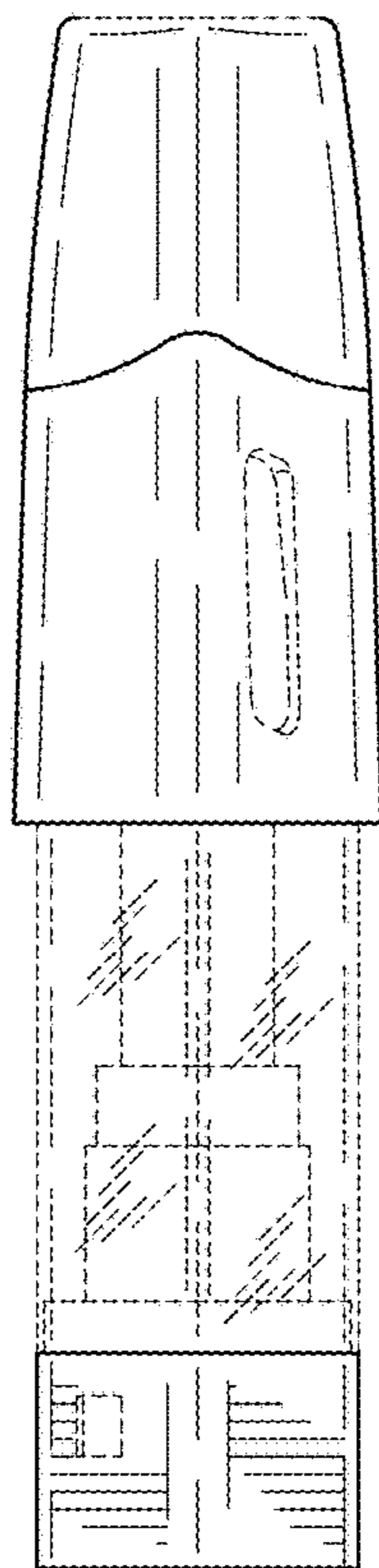
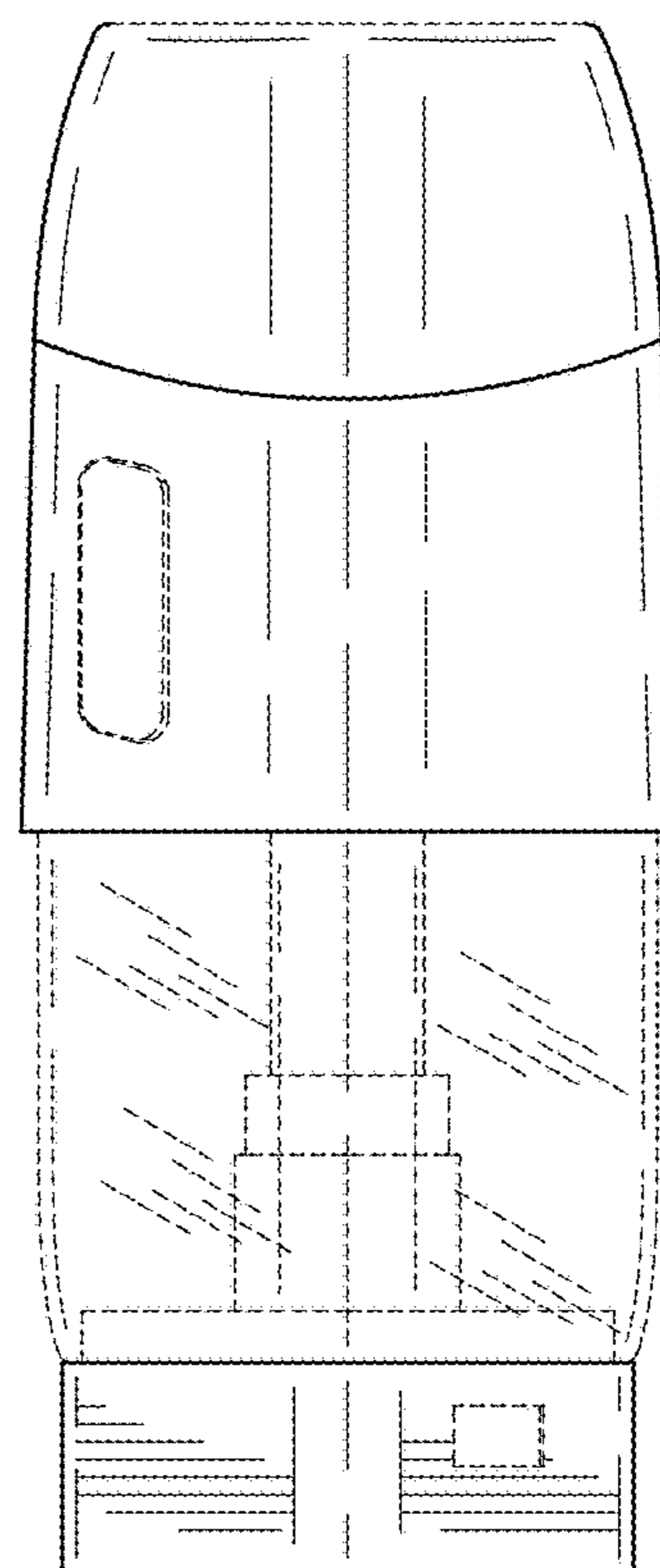


FIG. 6

FIG. 7



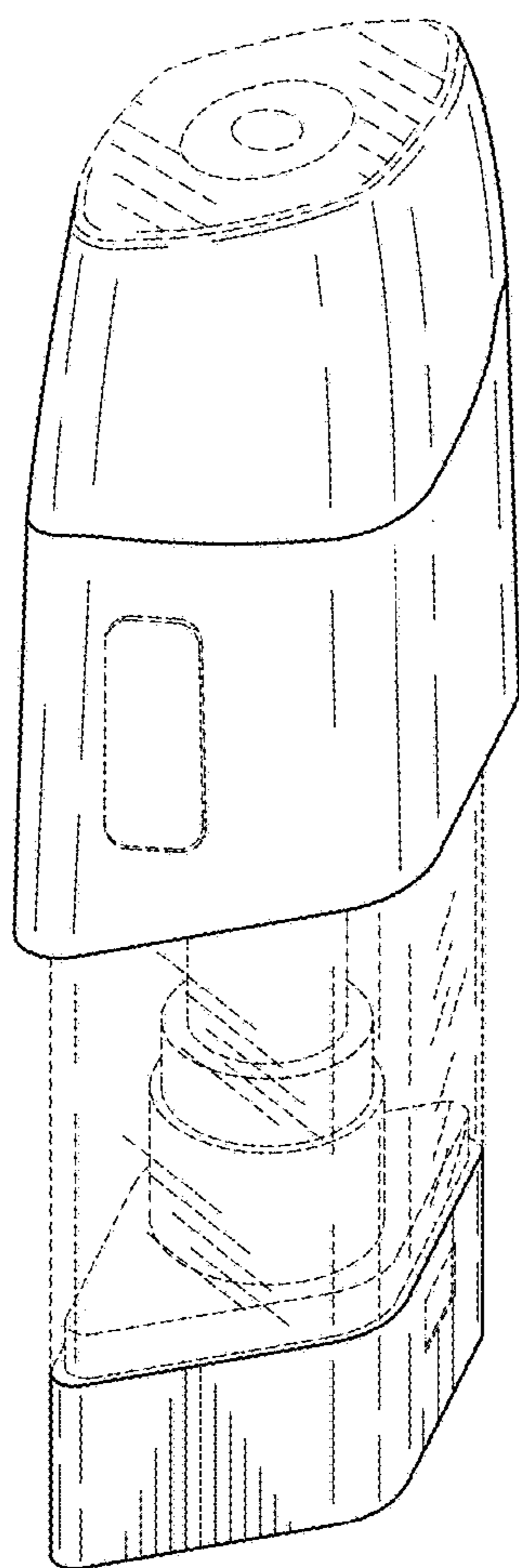


FIG. 8

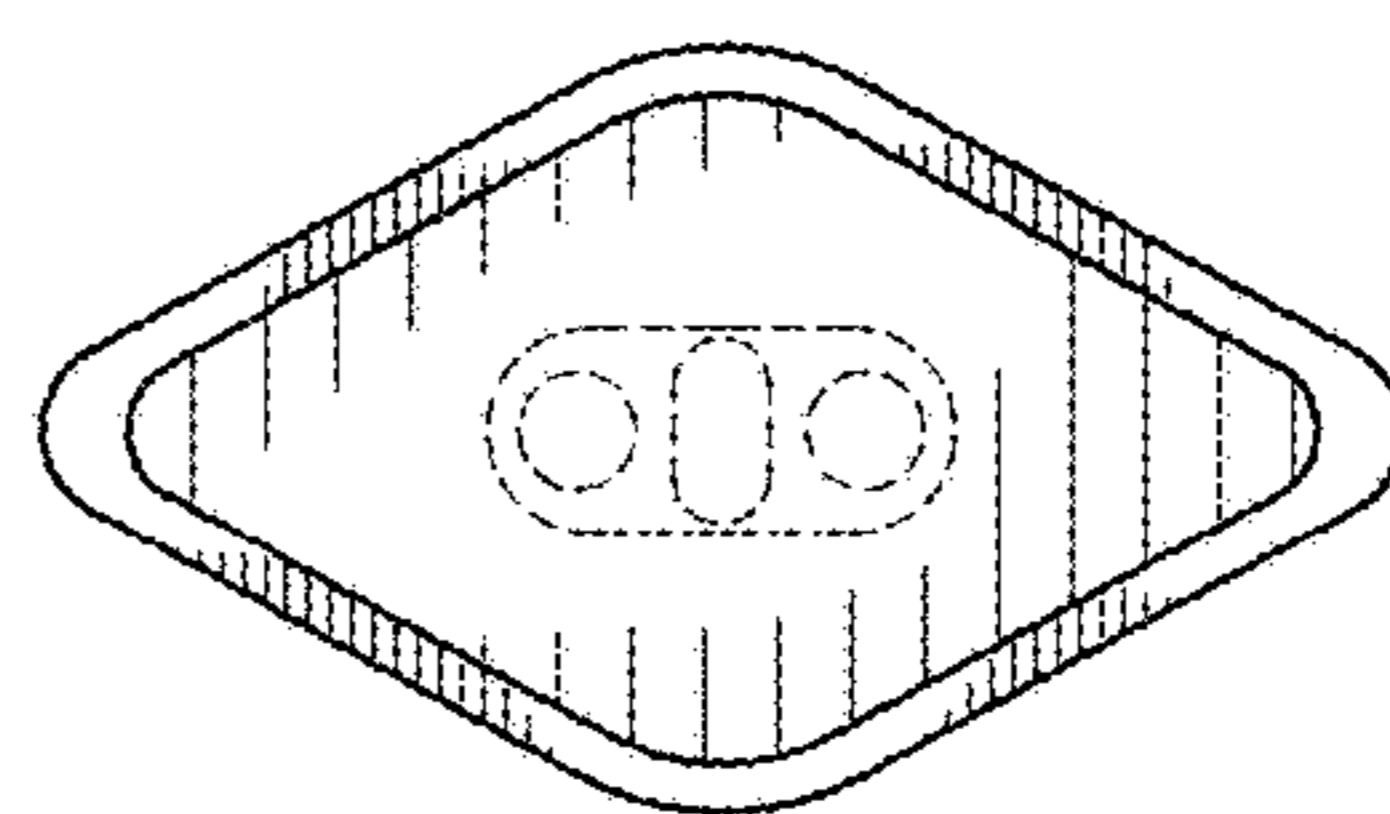


FIG. 9

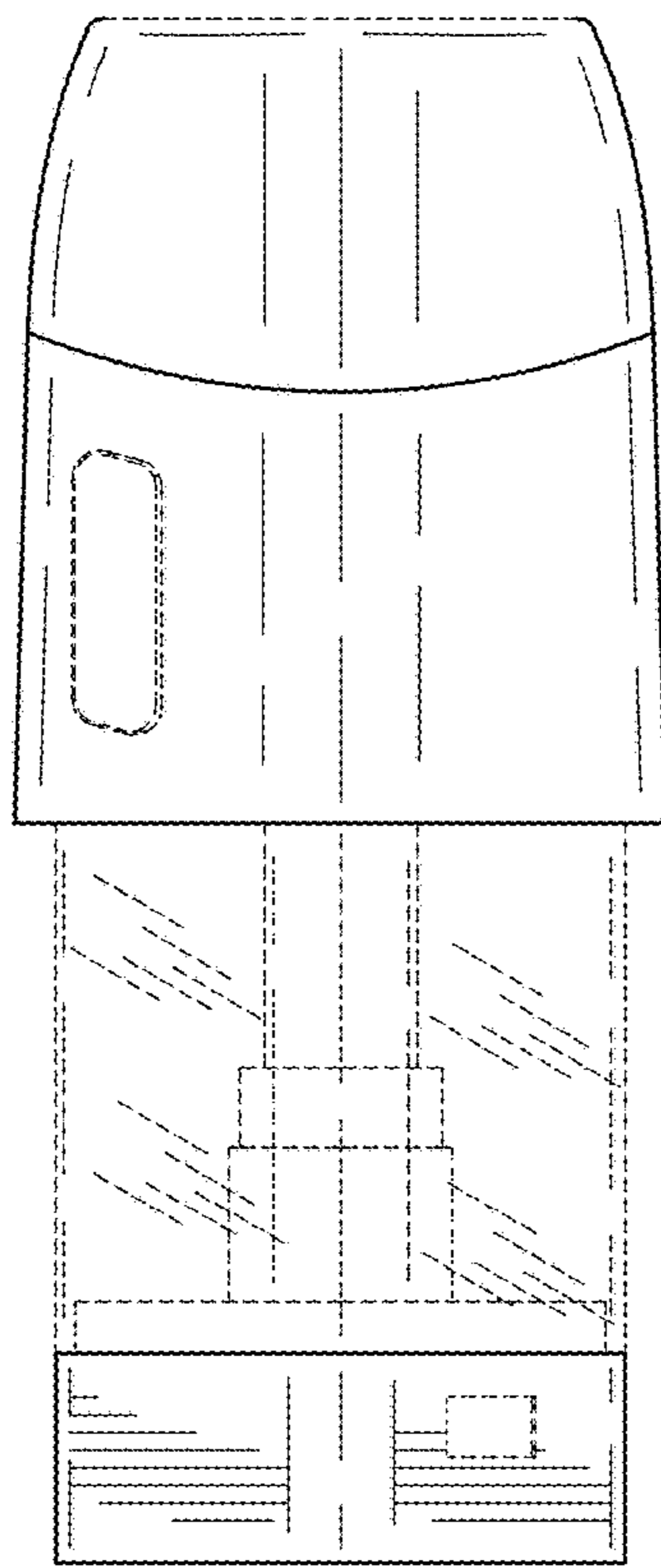
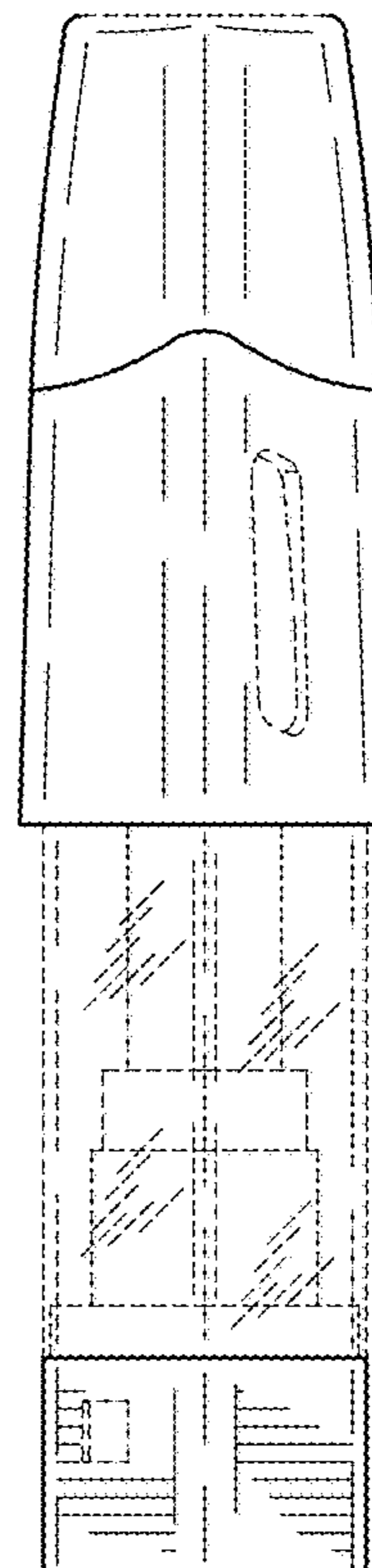


FIG. 10

FIG. 11



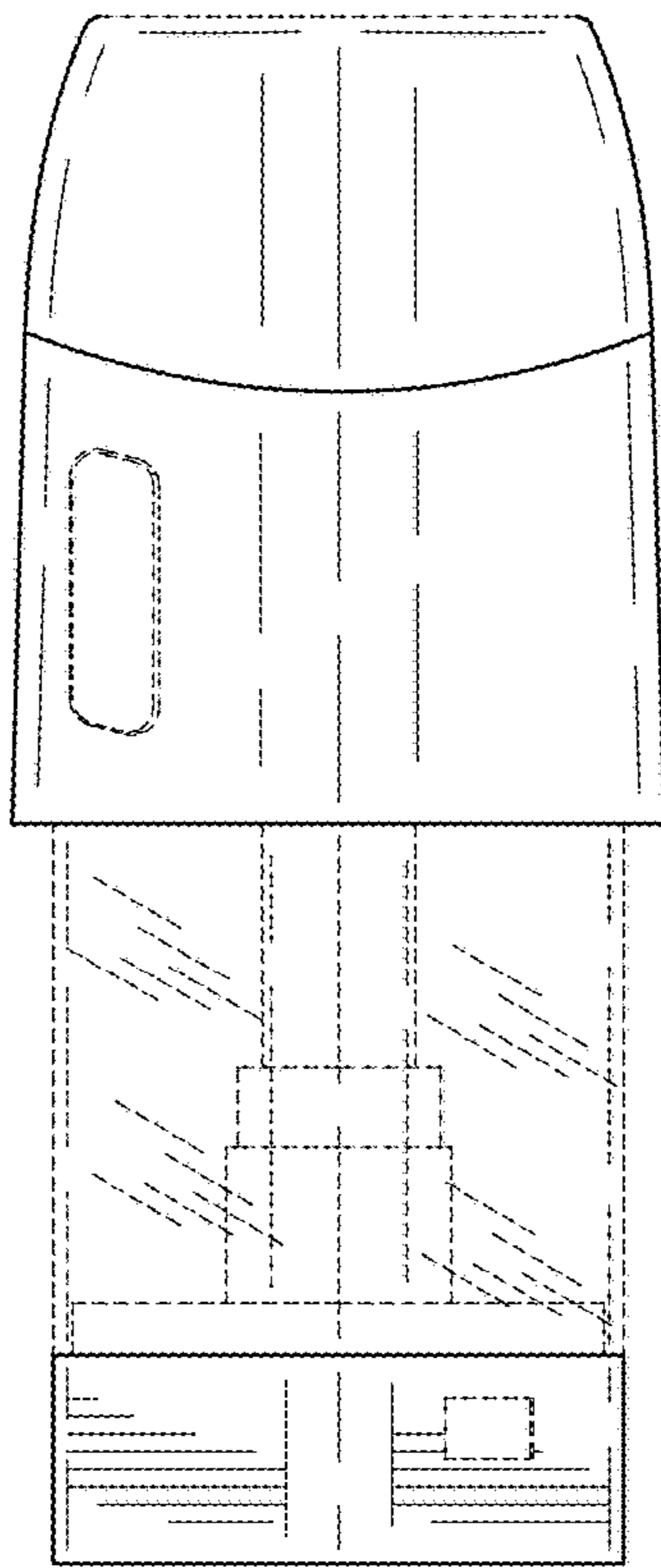


FIG. 12

FIG. 13

