

US00D871668S

(12) **United States Design Patent** (10) **Patent No.:** **US D871,668 S**
Lee (45) **Date of Patent:** **** *Dec. 31, 2019**

(54) **BATTERY COMPARTMENT FOR AN ELECTRONIC CIGARETTE WITH CLIP**

(71) Applicant: **ECS Global LLC**, Brea, CA (US)

(72) Inventor: **Young Min Lee**, Fullerton, CA (US)

(*) Notice: This patent is subject to a terminal disclaimer.

(**) Term: **15 Years**

(21) Appl. No.: **29/637,919**

(22) Filed: **Feb. 22, 2018**

(51) **LOC (12) Cl.** **27-99**

(52) **U.S. Cl.**
USPC **D27/194**

(58) **Field of Classification Search**
USPC D27/100, 101, 139-161, 162-194;
D23/366; D7/416; D24/110; D19/101,
D19/106, 115, 165, 195
CPC A24F 47/008; A24F 47/002; A24F 7/00;
A24F 15/12
See application file for complete search history.

(56) **References Cited**

U.S. PATENT DOCUMENTS

D257,519 S *	11/1980	Plozner	D27/154
D259,062 S *	4/1981	Stutzer	D27/154
D453,792 S *	2/2002	Tung	D19/165
D474,306 S *	5/2003	Chemla	D27/154
D498,329 S *	11/2004	Cohen Harel	D27/154
D532,927 S *	11/2006	Sann	D27/101
D552,791 S *	10/2007	Toffler	D27/161
7,320,399 B2 *	1/2008	Ghini	B65D 85/1009 206/268
D576,679 S *	9/2008	Briggl	D19/195
D615,699 S *	5/2010	Vordenberg	D27/102
D625,465 S *	10/2010	Clavero	D27/154
D661,015 S *	5/2012	Logue	D27/172
D663,892 S *	7/2012	Arcos Bellvehi	D27/172
D669,123 S *	10/2012	Jiang	D19/165

D675,777 S *	2/2013	Wu	D27/101
D682,090 S *	5/2013	Scatterday	D9/430
D685,028 S *	6/2013	Zander	D19/195
D686,621 S *	7/2013	Pawlus	D14/411
D721,202 S *	1/2015	Liu	D27/101
D725,310 S *	3/2015	Eksouzian	D27/101
D725,821 S *	3/2015	Levin	D27/101

(Continued)

OTHER PUBLICATIONS

A Full Review of the PHIX Vape and E-Cigarette by Vape Door. dated Jan. 17, 2018. found online [Dec. 19, 2018] <https://vapetodoor.com/phix-vape-review/>.*

Primary Examiner — Marissa J Cash

(74) *Attorney, Agent, or Firm* — Michael D. Eisenberg

(57) **CLAIM**

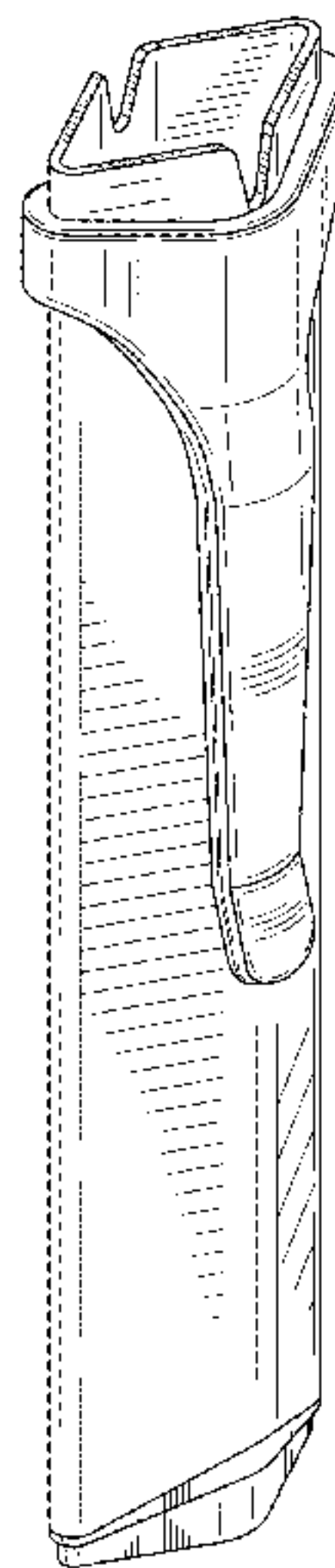
The ornamental design for a battery compartment for an electronic cigarette with clip, as shown and described.

DESCRIPTION

FIG. 1 is a perspective view of a battery compartment for an electronic cigarette with clip showing my new design; FIG. 2 is a top view of the battery compartment for an electronic cigarette with clip; FIG. 3 is a bottom view of the battery compartment for an electronic cigarette with clip; FIG. 4 is a front view of the battery compartment for an electronic cigarette with clip; FIG. 5 is a right side view of the battery compartment for an electronic cigarette with clip; FIG. 6 is a left side view of the battery compartment for an electronic cigarette with clip; and, FIG. 7 is a rear view of the battery compartment for an electronic cigarette with clip.

In the drawings, the broken lines depict portions of the battery compartment for an electronic cigarette with clip that form no part of the claimed design.

1 Claim, 3 Drawing Sheets



(56)

References Cited

U.S. PATENT DOCUMENTS

D750,320 S *	2/2016	Verleur	A24F 47/008	D818,636 S *	5/2018	Qiu	D27/101
					D819,263 S *	5/2018	Zhu	D27/101
D751,249 S *	3/2016	Chen	D27/101	D819,881 S *	6/2018	Qiu	D27/101
D752,284 S *	3/2016	Doster	D27/189	D822,271 S *	7/2018	Eksouzian	D27/101
D756,030 S *	5/2016	Chen	D27/101	D822,896 S *	7/2018	Durand	D27/101
D759,303 S *	6/2016	Afridi	D27/101	D824,093 S *	7/2018	Kauss	D27/101
D760,948 S *	7/2016	Eksouzian	D27/101	D825,099 S *	8/2018	Wright	D27/101
D762,003 S *	7/2016	Lomeli	D27/163	D825,102 S *	8/2018	Bowen	D27/167
D773,727 S *	12/2016	Eksouzian	D27/101	D825,834 S *	8/2018	Chen	D27/101
D775,412 S *	12/2016	Di Bari	D27/101	D827,195 S *	8/2018	Chen	D27/101
D776,337 S *	1/2017	Levin	D27/101	D829,371 S *	9/2018	Durand	D27/101
D776,338 S *	1/2017	Lomeli	D27/163	D829,372 S *	9/2018	Huang	D27/101
D776,869 S *	1/2017	Heidl	D27/163	D829,373 S *	9/2018	Huang	D27/101
D778,493 S *	2/2017	Scott	D27/101	D829,980 S *	10/2018	Qiu	D27/162
D779,719 S *	2/2017	Qiu	D27/101	D830,625 S *	10/2018	Stone	D27/101
D784,609 S *	4/2017	Liu	D27/101	D831,885 S *	10/2018	Wang	D27/101
D784,610 S *	4/2017	Bosch	D27/101	D832,499 S *	10/2018	Qiu	D27/162
D786,497 S *	5/2017	Sudlow	D27/162	D832,500 S *	10/2018	Qiu	D27/162
D788,697 S *	6/2017	Verleur	D13/103	D834,246 S *	11/2018	Qiu	D27/162
D790,680 S *	6/2017	Afridi	D23/366	D834,702 S *	11/2018	Evans	D24/110
D792,021 S *	7/2017	Beer	D27/101	D834,744 S *	11/2018	Zhu	D27/101
D792,643 S *	7/2017	Wong	D27/101	D835,337 S *	12/2018	Beer	D27/162
D795,496 S *	8/2017	Beer	D27/101	D836,190 S *	12/2018	Evans	D24/110
D799,110 S *	10/2017	Qiu	D27/101	2015/0034104 A1 *	2/2015	Zhou	A24F 47/008
D799,112 S *	10/2017	Qiu	D27/101					131/329
D799,113 S *	10/2017	Qiu	D27/101	2016/0198763 A1 *	7/2016	Adkins	A24F 15/12
D799,744 S *	10/2017	Qiu	D27/101					224/183
D805,248 S *	12/2017	Chen	D27/170	2016/0353805 A1 *	12/2016	Hawes	A24F 47/008
D805,684 S *	12/2017	Thuery	D27/101	2017/0258142 A1 *	9/2017	Hatton	A24F 47/008
D807,575 S *	1/2018	Luo	D27/141	2017/0259170 A1 *	9/2017	Bowen	A24F 47/008
D808,071 S *	1/2018	Folkerts	D27/101	2018/0042302 A1 *	2/2018	Robinson	A61M 15/06
D811,003 S *	2/2018	Folyan	D27/101	2018/0043114 A1 *	2/2018	Bowen	A61M 15/003
D813,447 S *	3/2018	Watson	D27/162	2018/0077967 A1 *	3/2018	Hatton	A61M 11/042
D815,341 S *	4/2018	Qiu	D27/101	2018/0098571 A1 *	4/2018	Watson	A24F 47/008
					2018/0213847 A1 *	8/2018	Reevell	A24F 47/008
					2018/0279674 A1 *	10/2018	Watson	A24F 7/02
					2018/0279682 A1 *	10/2018	Guo	A24F 47/008

* cited by examiner

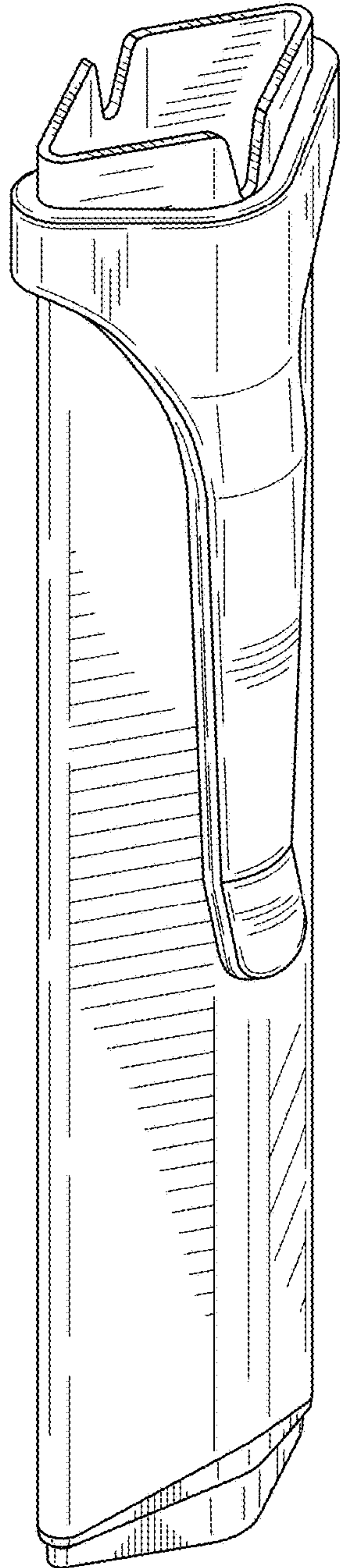


FIG. 1

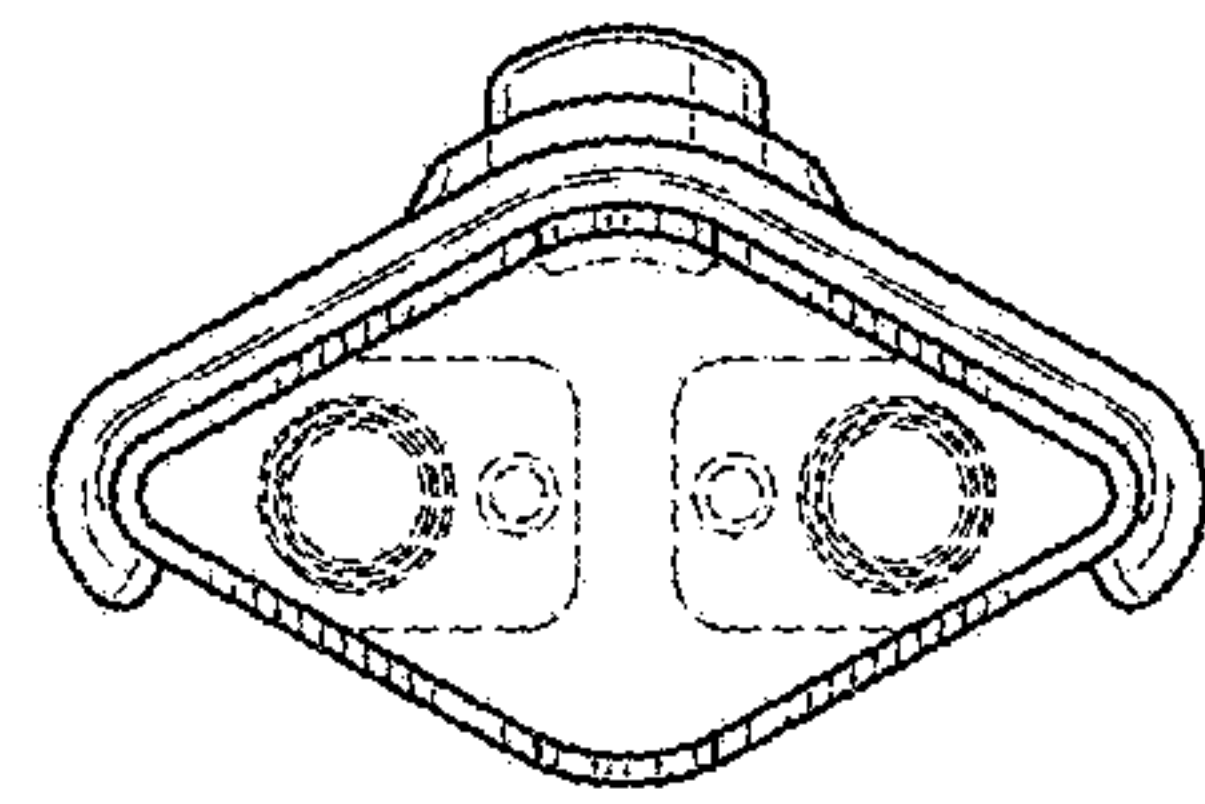


FIG. 2

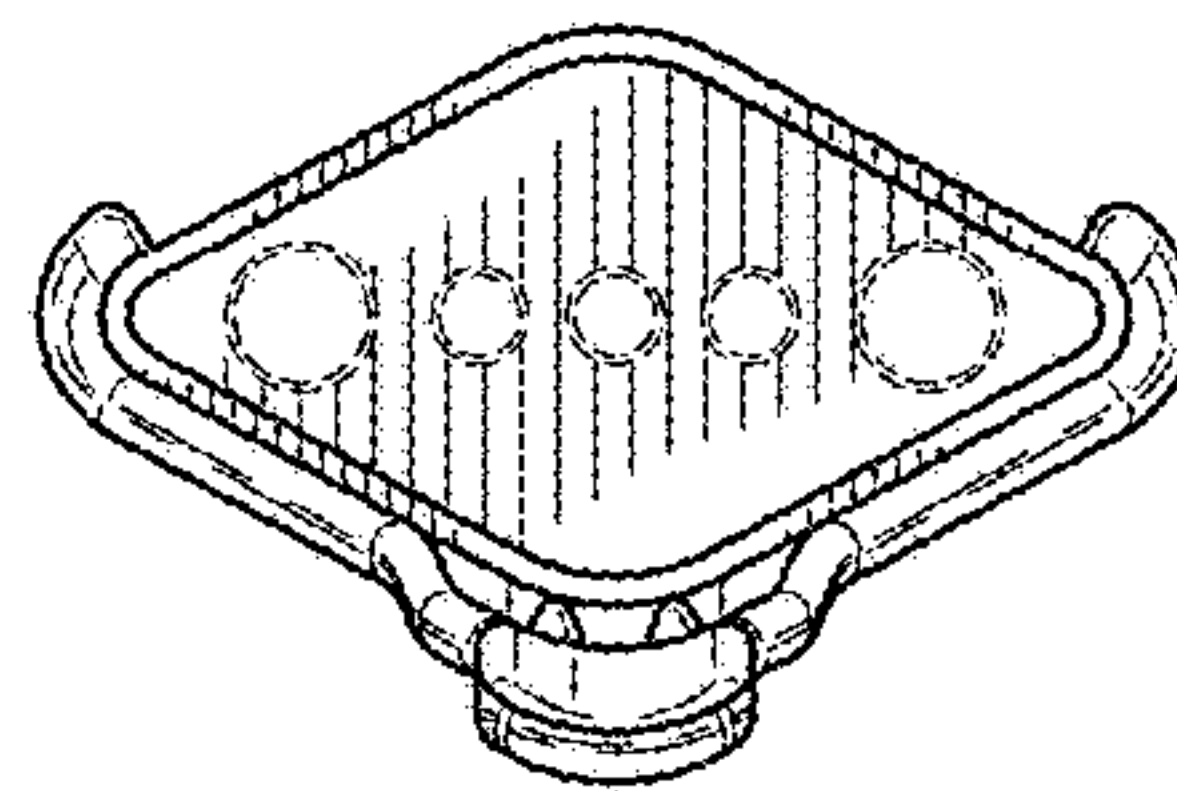


FIG. 3

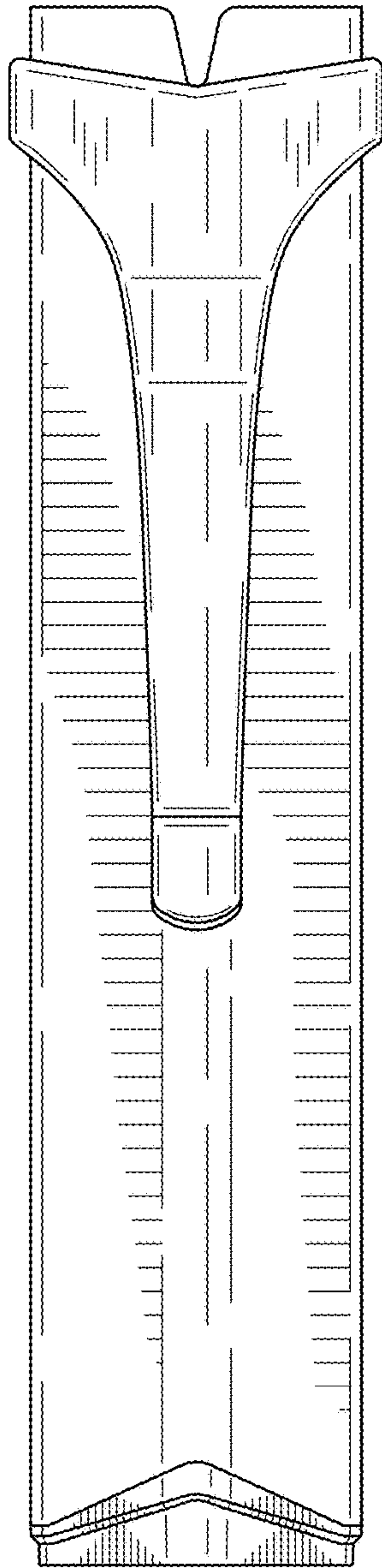


FIG. 4

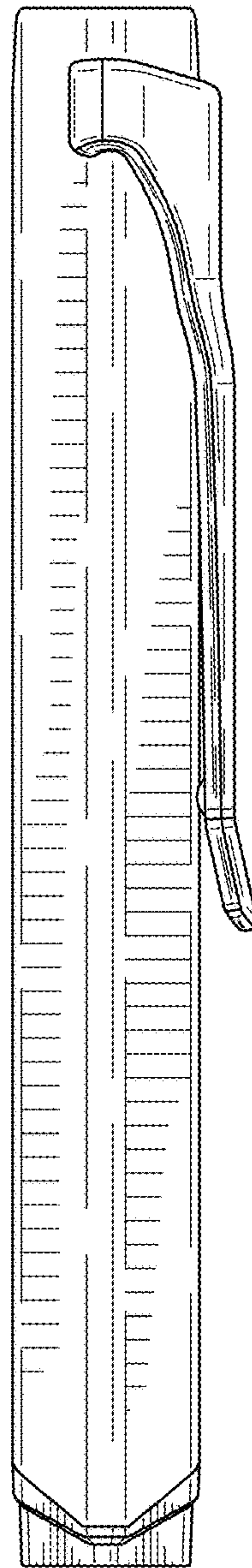


FIG. 5

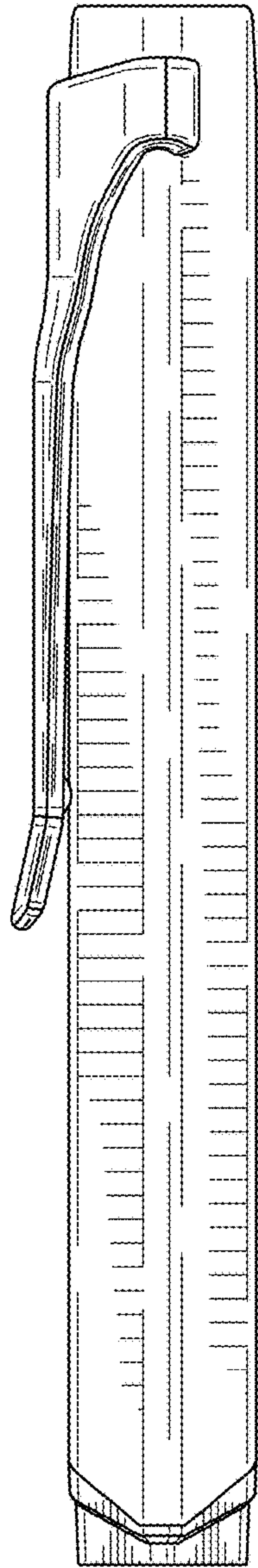


FIG. 6

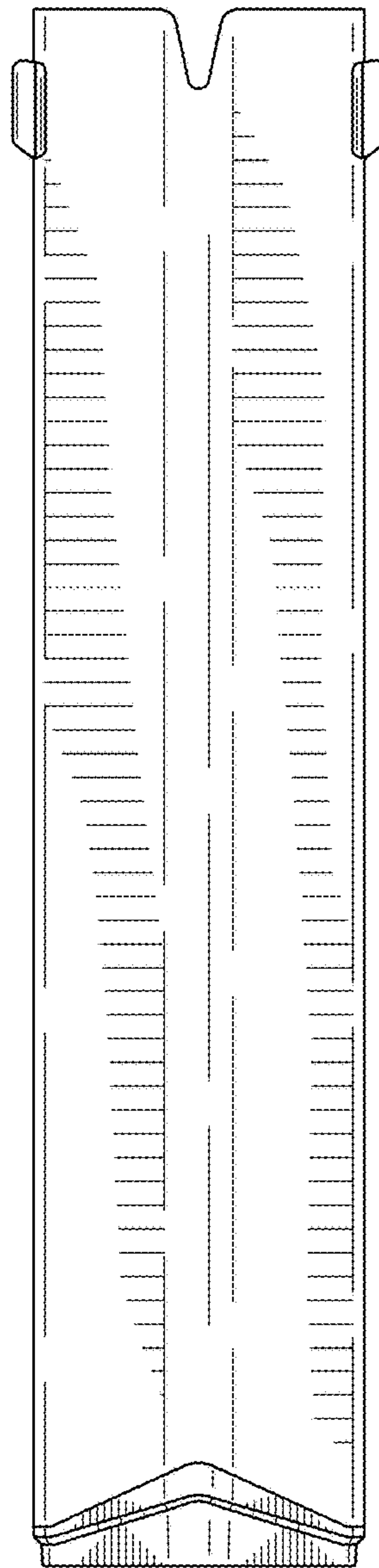


FIG. 7