



US00D871666S

(12) **United States Design Patent** (10) **Patent No.:** **US D871,666 S**
Qiu (45) **Date of Patent:** **** Dec. 31, 2019**

- (54) **ELECTRONIC CIGARETTE**
- (71) Applicant: **Changzhou Patent Electronic Technology Co., LTD**, Changzhou, Jiangsu (CN)
- (72) Inventor: **Weihua Qiu**, Jiangsu (CN)
- (73) Assignee: **JOYTECH EUROPE HOLDING GMBH**, Zug (CH)
- (**) Term: **15 Years**
- (21) Appl. No.: **29/610,344**
- (22) Filed: **Jul. 11, 2017**
- (30) **Foreign Application Priority Data**
Apr. 28, 2017 (CN) 2017 3 0150774
- (51) **LOC (12) Cl.** **27-02**
- (52) **U.S. Cl.**
USPC **D27/163**
- (58) **Field of Classification Search**
USPC D27/163, 162, 101, 100, 106, 108, D27/165-169, 172, 174, 175, 183, D27/186-190, 193, 195; D9/516, 522, D9/523, 572; 131/273, 274, 191, 131/328-330
CPC A24F 47/002; A24F 47/004; A24F 47/006; A24F 47/008; A61M 15/06
See application file for complete search history.

- D759,303 S * 6/2016 Afridi D27/101
- D772,477 S * 11/2016 Shin D27/163
- D773,114 S * 11/2016 Leidel D27/163
- D799,111 S * 10/2017 Qiu D27/101
- D799,744 S * 10/2017 Qiu D27/101
- D799,746 S * 10/2017 Leidel D27/163
- D800,377 S * 10/2017 Liu D27/101
- D802,206 S * 11/2017 Huang D27/101
- D809,191 S * 1/2018 Li D27/101
- D814,693 S * 4/2018 Qiu D27/101
- D819,882 S * 6/2018 Qiu D27/101
- D828,621 S * 9/2018 Qiu D27/162
- D833,063 S * 11/2018 Qiu D27/101

* cited by examiner

Primary Examiner — Susan Bennett Hattan
Assistant Examiner — Rebecca Tsehaye
(74) *Attorney, Agent, or Firm* — Novick, Kim & Lee, PLLC; Allen Xue; Hyun Woo Shin

(57) **CLAIM**

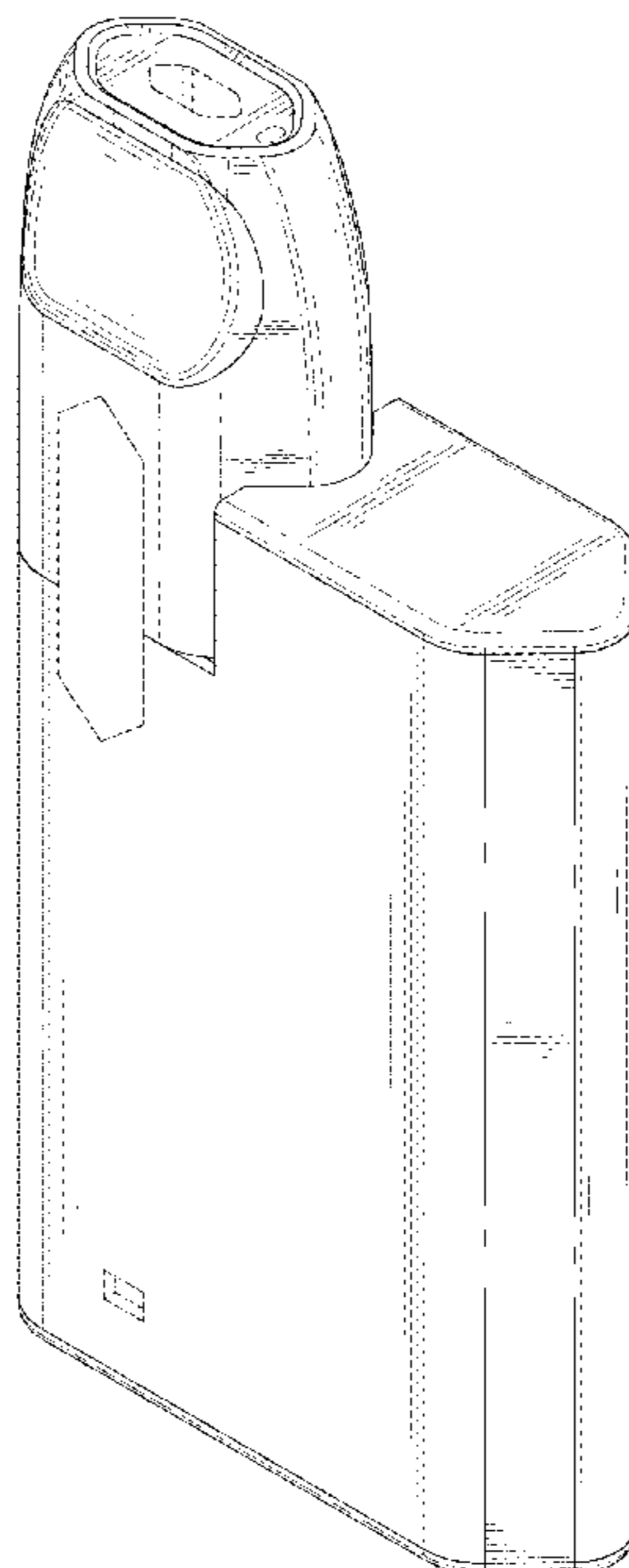
I claim the ornamental design for an electronic cigarette, as shown and described.

DESCRIPTION

FIG. 1 is a top, right side perspective view of an electronic cigarette, showing my new design;
FIG. 2 is a bottom, left side perspective view thereof;
FIG. 3 is a front elevational view thereof;
FIG. 4 is a rear elevational view thereof;
FIG. 5 is a left side elevational view thereof;
FIG. 6 is a right side elevational view thereof;
FIG. 7 is a top plan view thereof; and,
FIG. 8 is a bottom plan view thereof.
The broken lines in the drawings show portions of the electronic cigarette which form no part of the claimed design.

1 Claim, 8 Drawing Sheets

- (56) **References Cited**
U.S. PATENT DOCUMENTS
D723,373 S * 3/2015 Wahl D9/449
D753,336 S * 4/2016 Chen D27/101



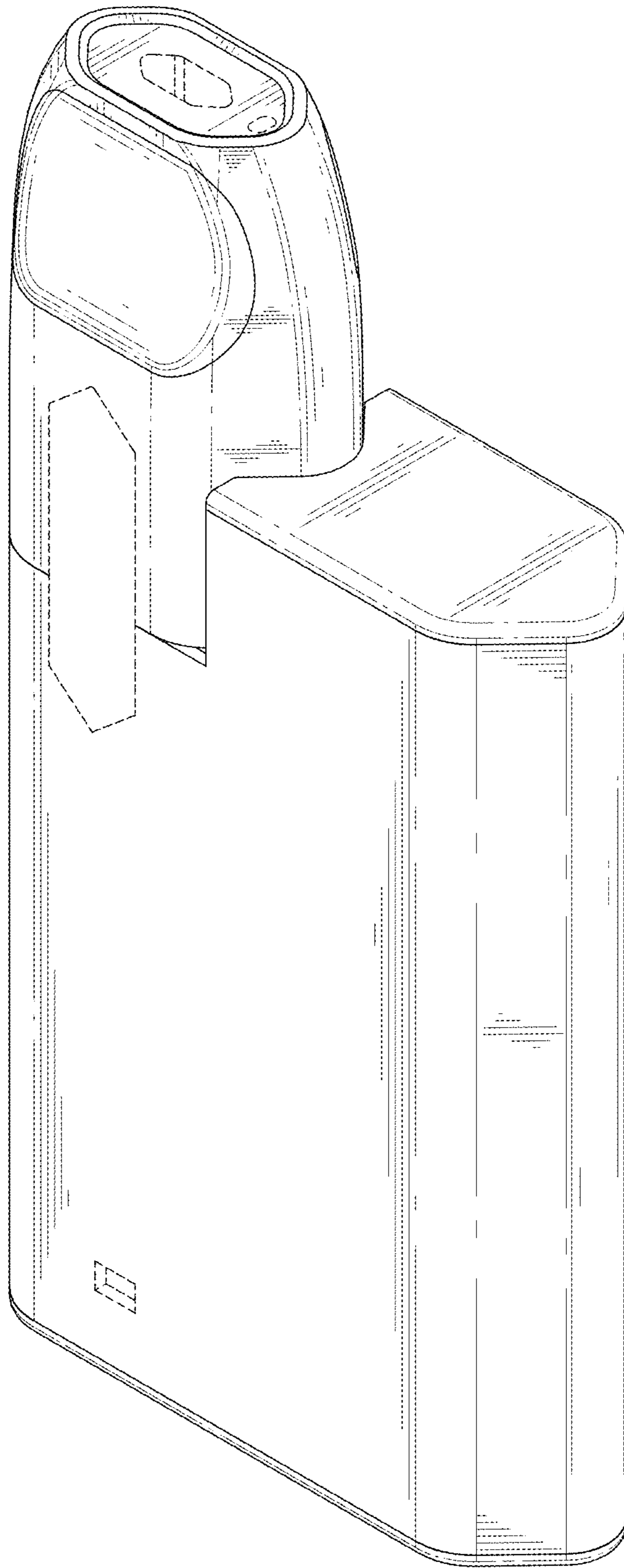


FIG. 1

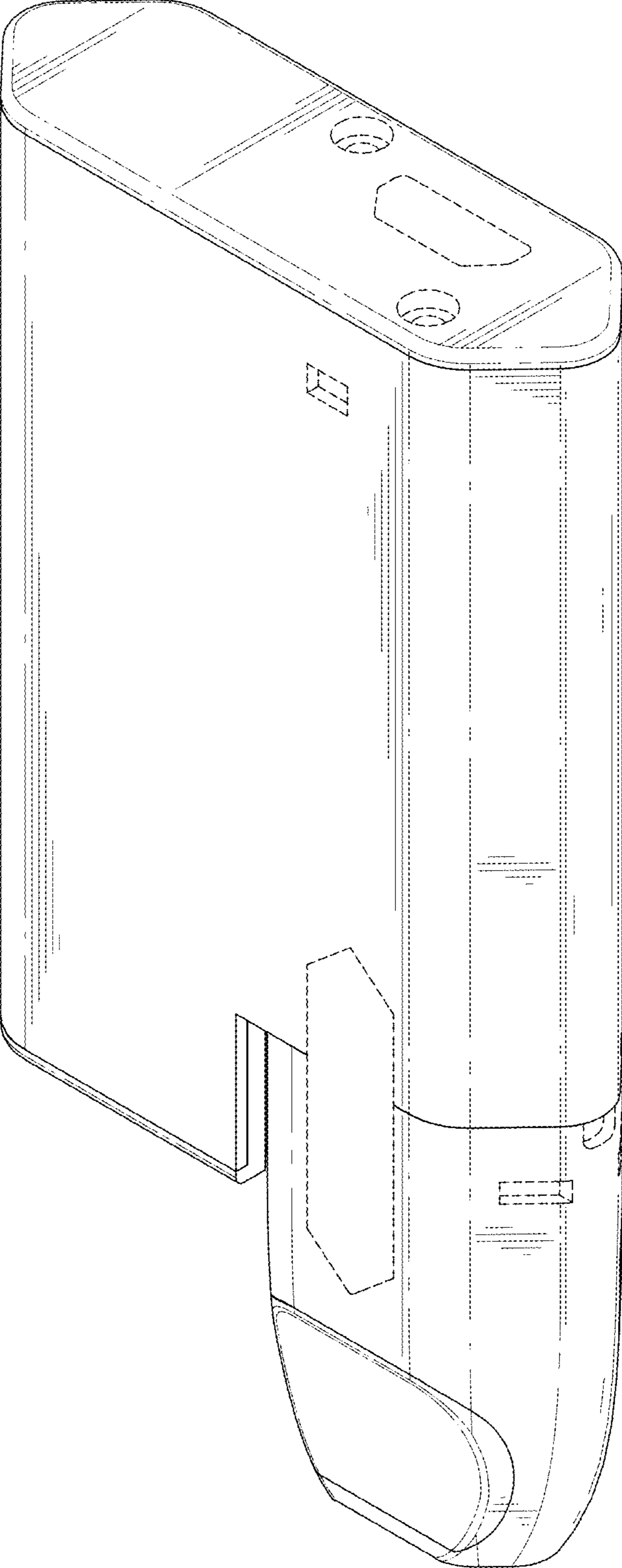


FIG. 2

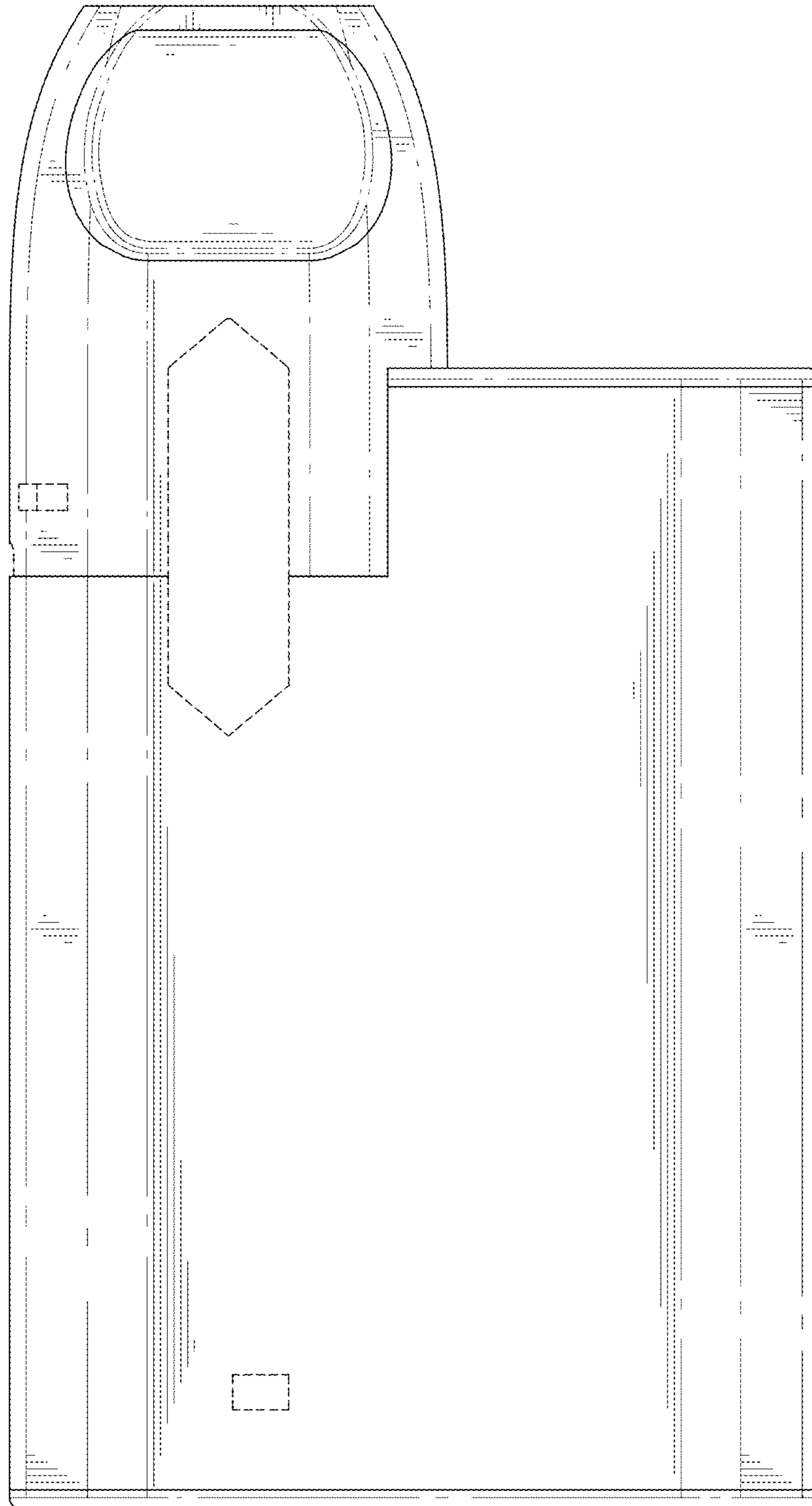


FIG. 3

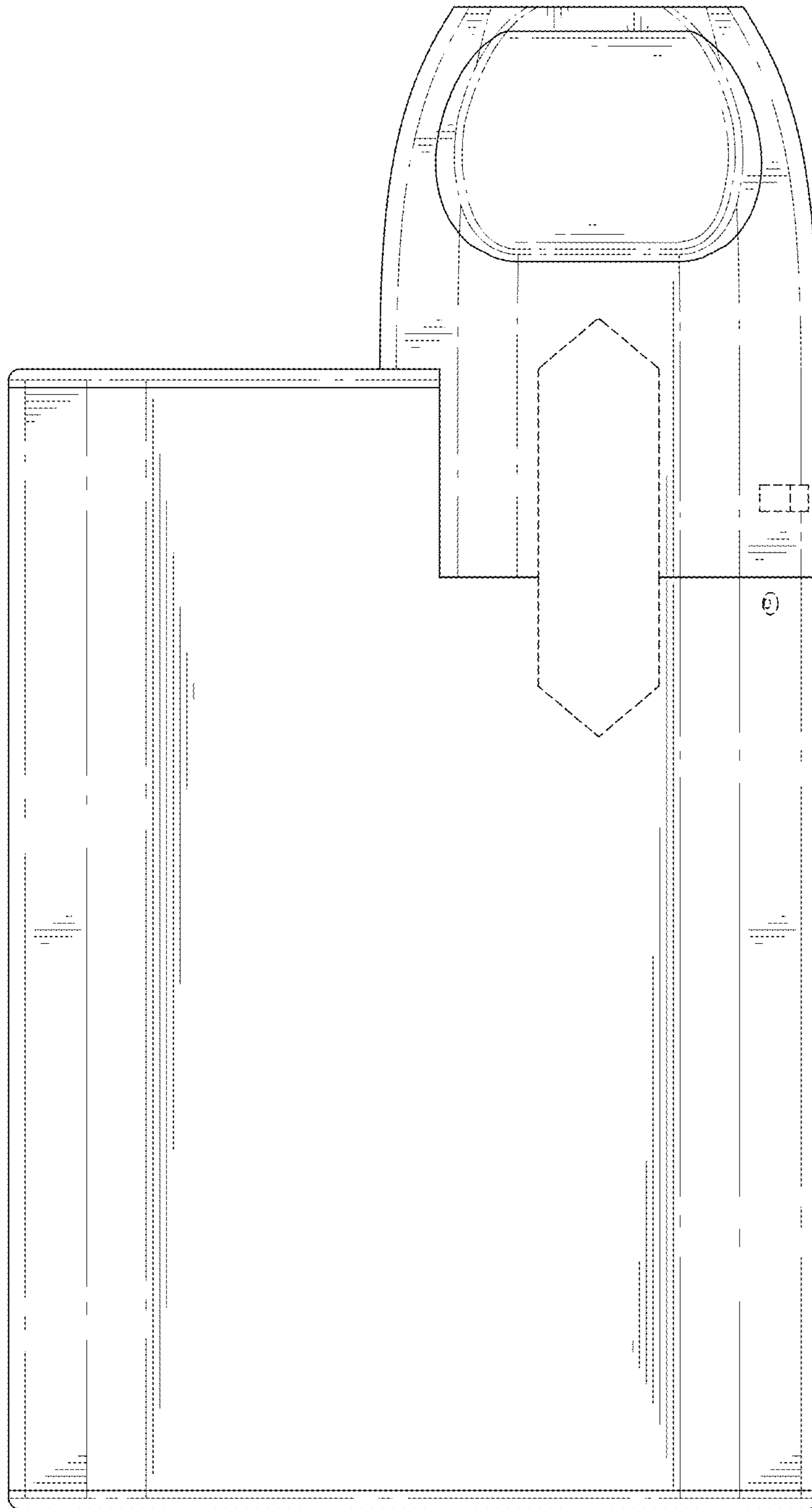


FIG. 4

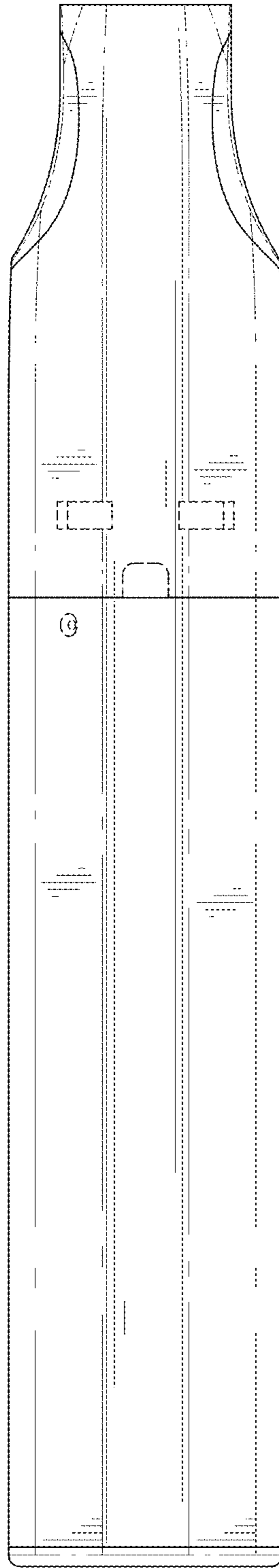


FIG. 5

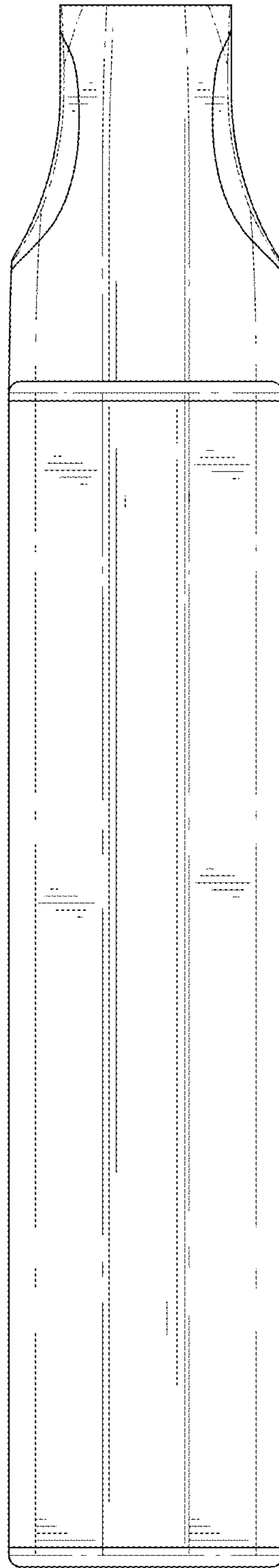


FIG. 6

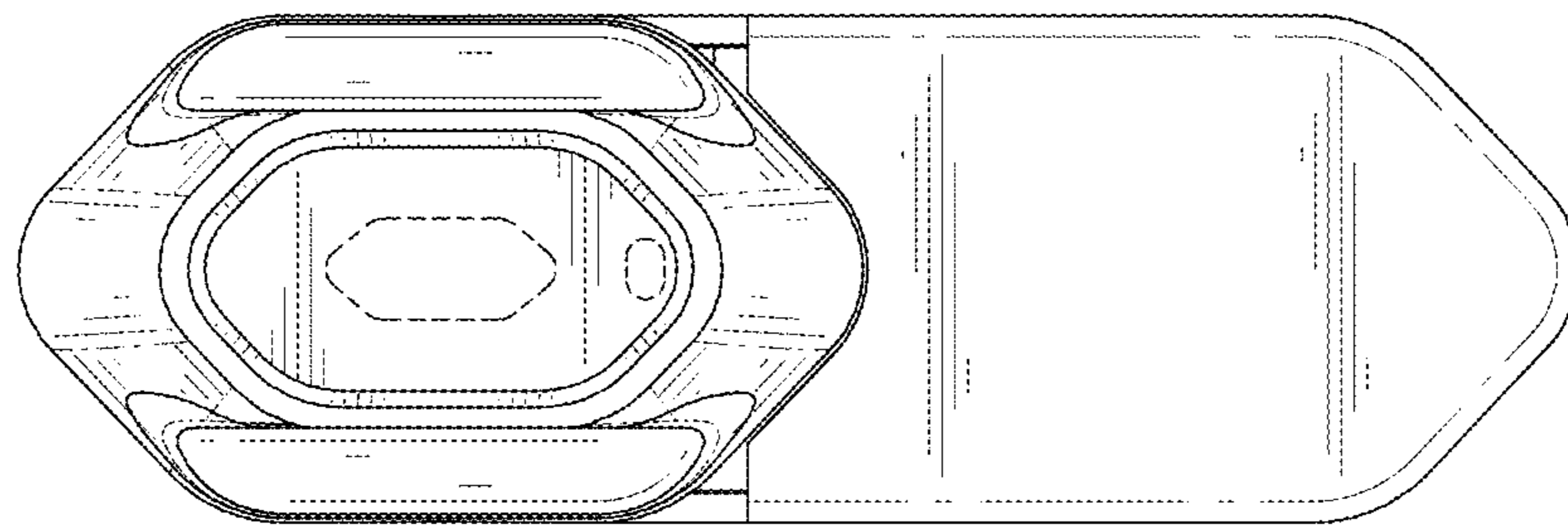


FIG. 7

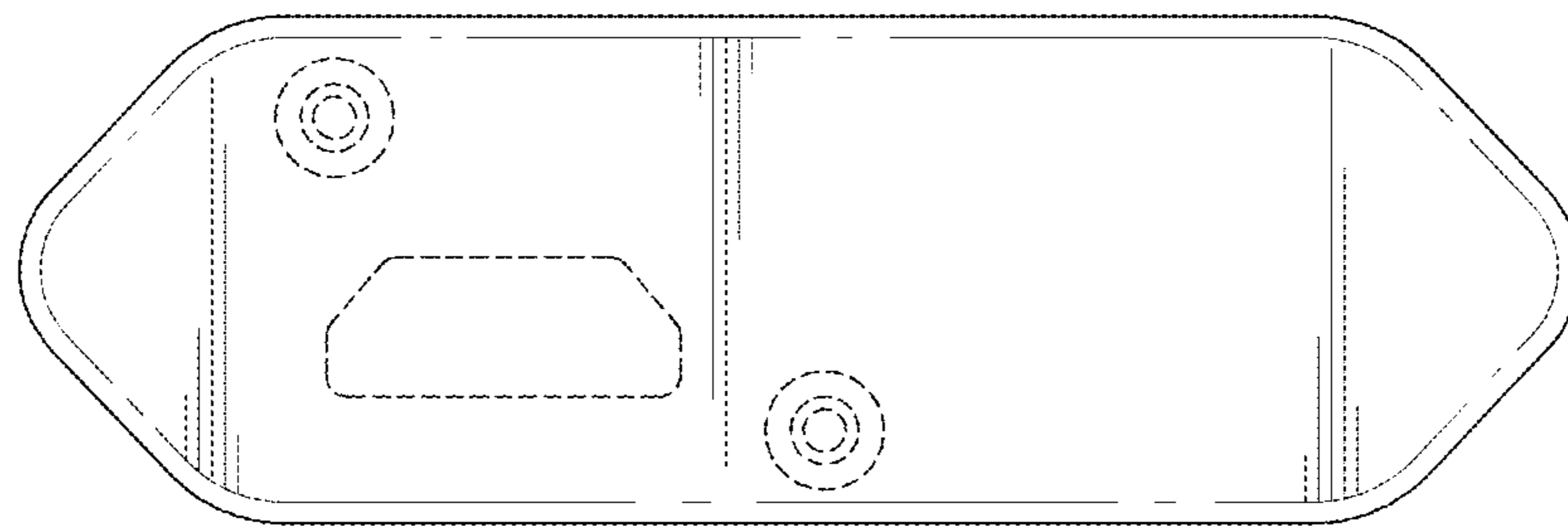


FIG. 8