



US00D871661S

(12) **United States Design Patent**  
**Hsu et al.**

(10) **Patent No.:** **US D871,661 S**

(45) **Date of Patent:** **\*\* Dec. 31, 2019**

(54) **LED LAMP**

(71) Applicant: **Radiant Opto-Electronics Corporation**, Kaohsiung (TW)

(72) Inventors: **Pai-Ho Hsu**, Kaohsiung (TW);  
**Guo-Hao Huang**, Kaohsiung (TW);  
**Kun-Feng Chen**, Kaohsiung (TW)

(73) Assignee: **RADIANT OPTO-ELECTRONICS CORPORATION**, Kaohsiung (TW)

(\*\*) Term: **15 Years**

(21) Appl. No.: **29/581,569**

(22) Filed: **Oct. 20, 2016**

(30) **Foreign Application Priority Data**

Apr. 28, 2016 (TW) ..... 105302309  
Apr. 28, 2016 (TW) ..... 105302310

(51) **LOC (12) Cl.** ..... **26-06**

(52) **U.S. Cl.**  
USPC ..... **D26/142**

(58) **Field of Classification Search**  
USPC ..... D26/76, 78, 79, 80, 81, 82, 83, 85, 86,  
D26/88, 90, 113, 118, 119, 120, 121, 122,  
D26/138, 139, 140, 141, 142, 152  
(Continued)

(56) **References Cited**

**U.S. PATENT DOCUMENTS**

D469,211 S \* 1/2003 Homann ..... D26/118  
D536,473 S \* 2/2007 Tan ..... D26/93  
(Continued)

**FOREIGN PATENT DOCUMENTS**

TW D151723 S 2/2013  
TW D174957 S 4/2016

*Primary Examiner* — Natasha Vujcic

(74) *Attorney, Agent, or Firm* — McClure, Qualey & Rodack, LLP

(57) **CLAIM**

The ornamental design for a LED lamp, as shown and described.

**DESCRIPTION**

FIG. 1 is a top perspective view of a LED lamp showing a first embodiment of our new design;  
FIG. 2 is a bottom perspective view of the first embodiment;  
FIG. 3 is a front view of the first embodiment;  
FIG. 4 is a rear view of the first embodiment;  
FIG. 5 is a left side view of the first embodiment;  
FIG. 6 is a right side view of the first embodiment;  
FIG. 7 is a top view of the first embodiment;  
FIG. 8 is a bottom view of the first embodiment.  
FIG. 9 is a top perspective view of a LED lamp showing a second embodiment of our new design;  
FIG. 10 is a bottom perspective view of the second embodiment;  
FIG. 11 is a front view of the second embodiment;  
FIG. 12 is a rear view of the second embodiment;  
FIG. 13 is a left side view of the second embodiment;  
FIG. 14 is a right side view of the second embodiment;  
FIG. 15 is a top view of the second embodiment;  
FIG. 16 is a bottom view of the second embodiment.  
FIG. 17 is a top perspective view of a LED lamp showing a third embodiment of our new design;  
FIG. 18 is a bottom perspective view of the third embodiment;  
FIG. 19 is a front view of the third embodiment;  
FIG. 20 is a rear view of the third embodiment;  
FIG. 21 is a left side view of the third embodiment;  
FIG. 22 is a right side view of the third embodiment;  
FIG. 23 is a top view of the third embodiment;  
FIG. 24 is a bottom view of the third embodiment.  
FIG. 25 is a top perspective view of a LED lamp showing a fourth embodiment of our new design;  
FIG. 26 is a bottom perspective view of the fourth embodiment;  
FIG. 27 is a front view of the fourth embodiment;  
FIG. 28 is a rear view of the fourth embodiment;

(Continued)

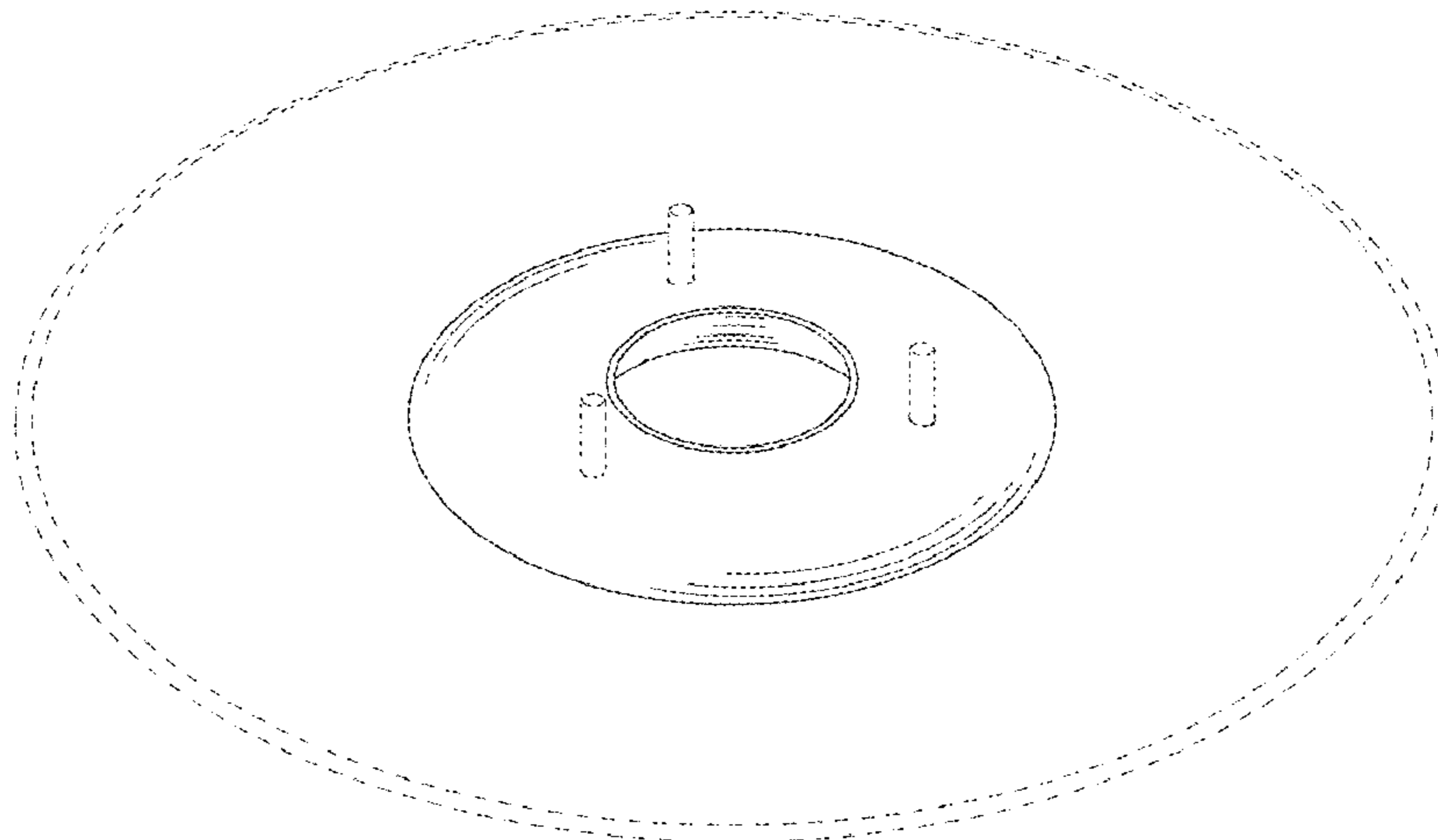


FIG. 29 is a left side view of the fourth embodiment; FIG. 30 is a right side view of the fourth embodiment; FIG. 31 is a top view of the fourth embodiment; and, FIG. 32 is a bottom view of the fourth embodiment. The portions of the LED lamp shown in gray shading shown in FIGS. 17-32 are representative of a semi-transparent or transparent appearance. The broken lines in the drawings illustrate portions of the LED lamp which form no part of the claimed design.

**1 Claim, 32 Drawing Sheets**

(58) **Field of Classification Search**

CPC ..... F21S 2/00; F21S 4/00; F21S 4/003; F21S 4/005; F21S 4/006; F21S 4/007; F21S 4/008; F21S 6/00; F21S 8/00; F21S 8/024; F21S 8/026; F21S 8/031; F21S 8/033; F21S 8/035-037; F21S 8/04; F21S 8/043; F21S 8/063

See application file for complete search history.

(56)

**References Cited**

U.S. PATENT DOCUMENTS

|          |   |   |         |            |       |         |
|----------|---|---|---------|------------|-------|---------|
| D601,744 | S | * | 10/2009 | Sakuma     | ..... | D26/89  |
| D617,035 | S | * | 6/2010  | Sabernig   | ..... | D26/79  |
| D641,517 | S | * | 7/2011  | Sprengers  | ..... | D26/89  |
| D673,703 | S | * | 1/2013  | Davies     | ..... | D26/36  |
| D681,867 | S | * | 5/2013  | Wegger     | ..... | D26/124 |
| D712,082 | S | * | 8/2014  | Harpenau   | ..... | D26/74  |
| D726,951 | S | * | 4/2015  | Serwacki   | ..... | D26/74  |
| D743,079 | S | * | 11/2015 | Adair      | ..... | D26/67  |
| D770,076 | S | * | 10/2016 | Li         | ..... | D26/89  |
| D780,980 | S | * | 3/2017  | Starck     | ..... | D26/89  |
| D781,487 | S | * | 3/2017  | Starck     | ..... | D26/89  |
| D797,980 | S | * | 9/2017  | Maxik      | ..... | D26/89  |
| D797,982 | S | * | 9/2017  | Sonneman   | ..... | D26/88  |
| D830,611 | S | * | 10/2018 | Boissevain | ..... | D26/89  |
| D830,612 | S | * | 10/2018 | Boissevain | ..... | D26/89  |
| D837,443 | S | * | 1/2019  | Slaatto    | ..... | D26/118 |

\* cited by examiner

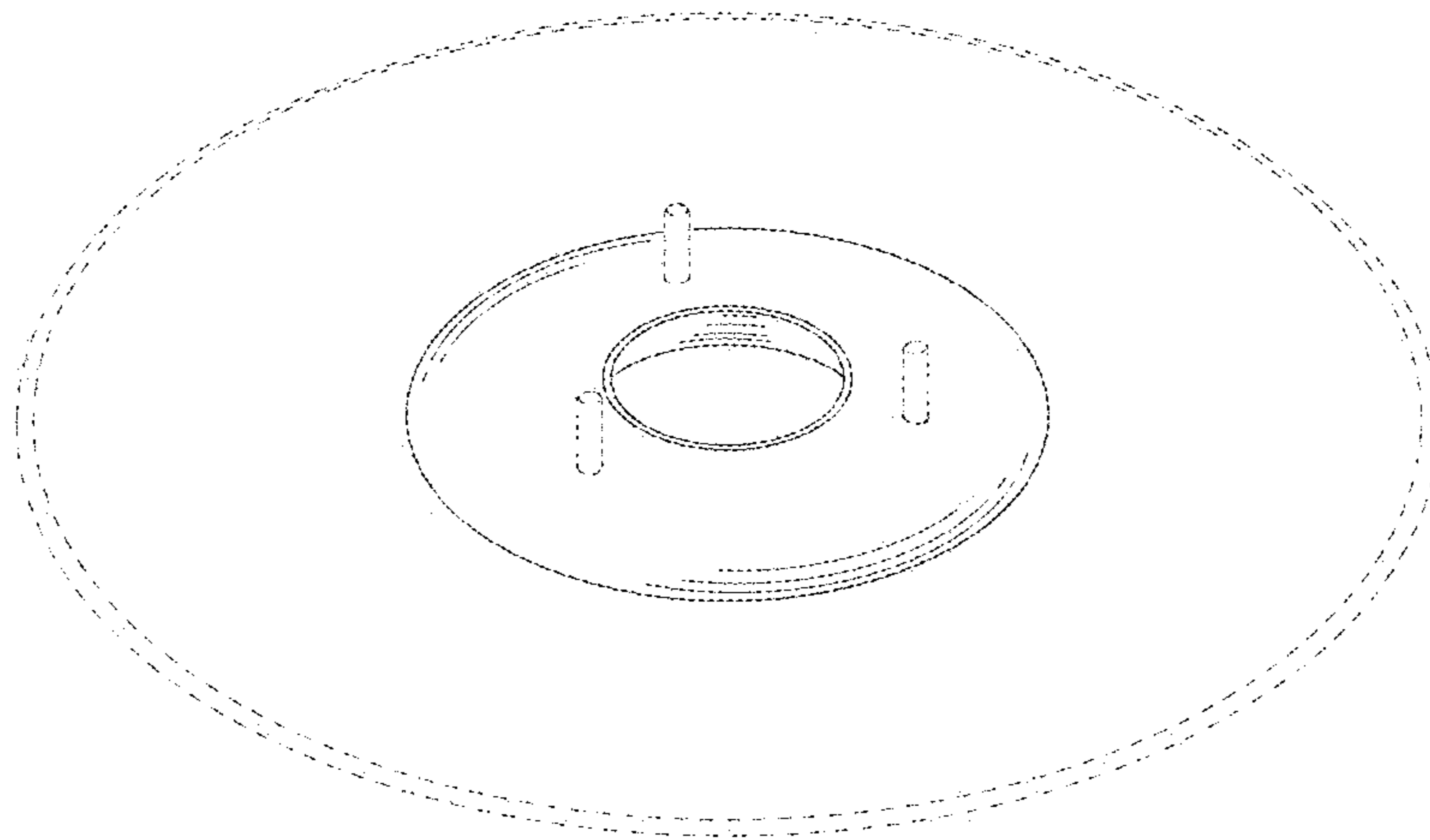


Fig. 1

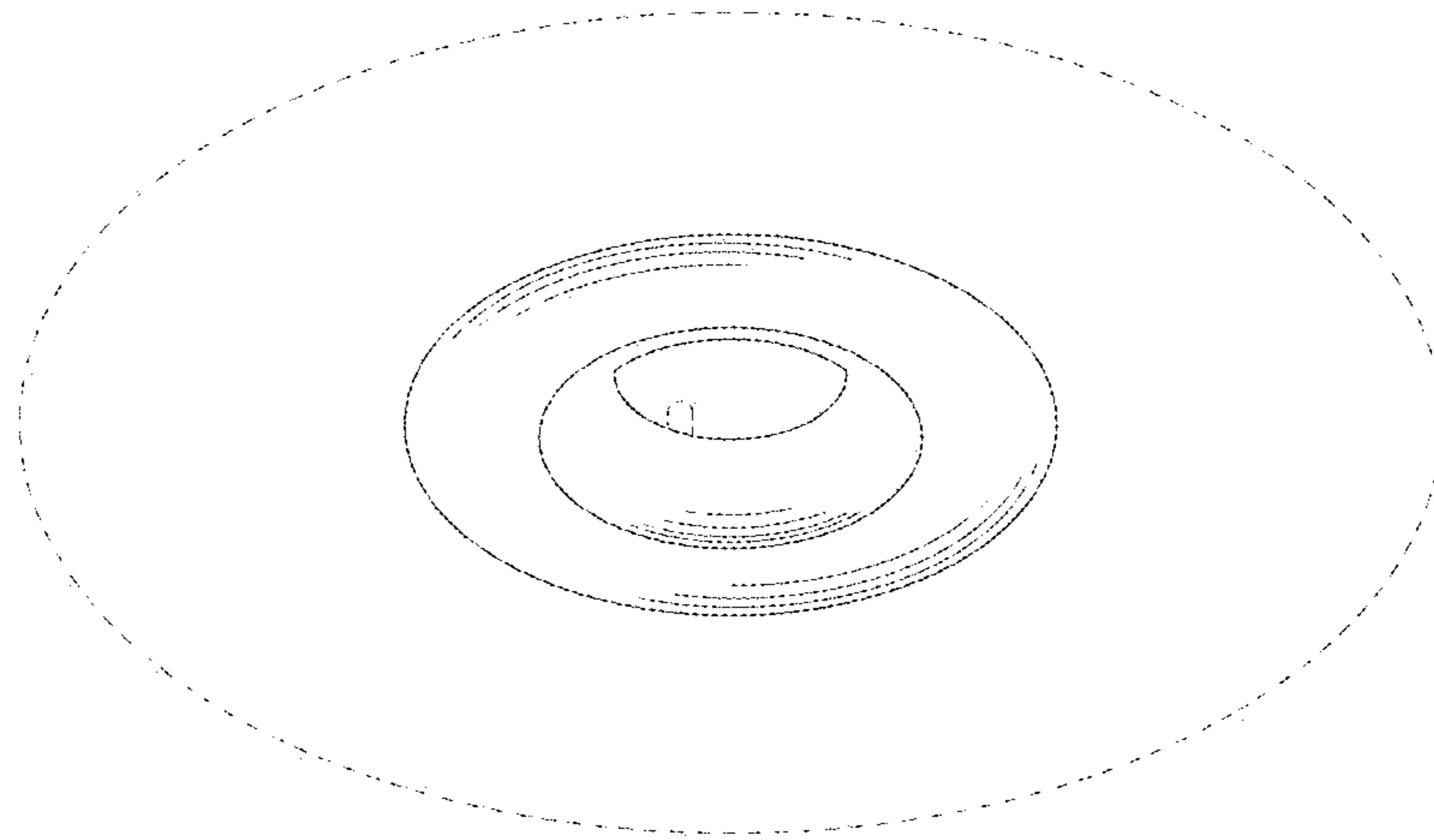


Fig. 2



Fig. 3

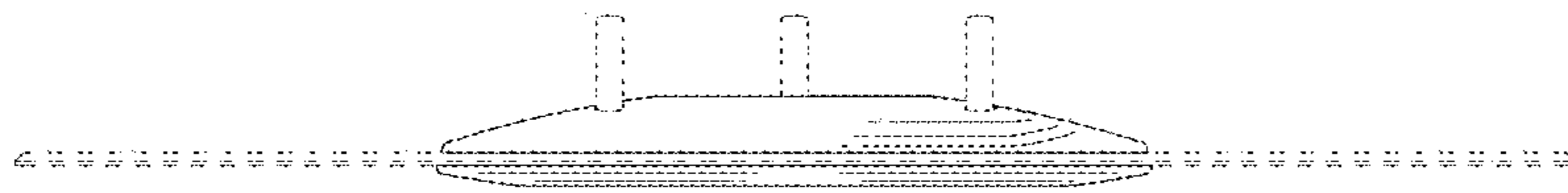


Fig. 4

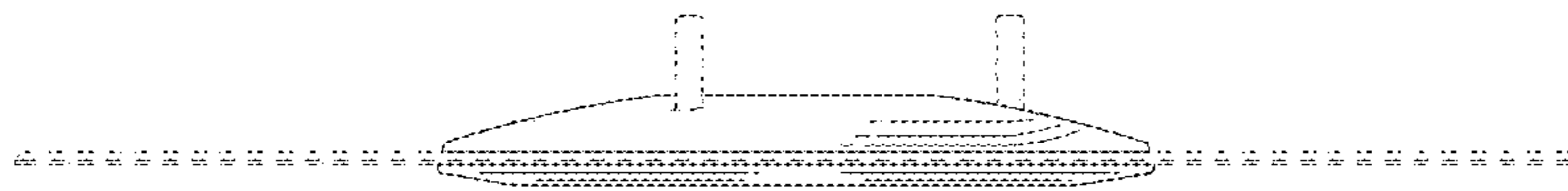


Fig. 5

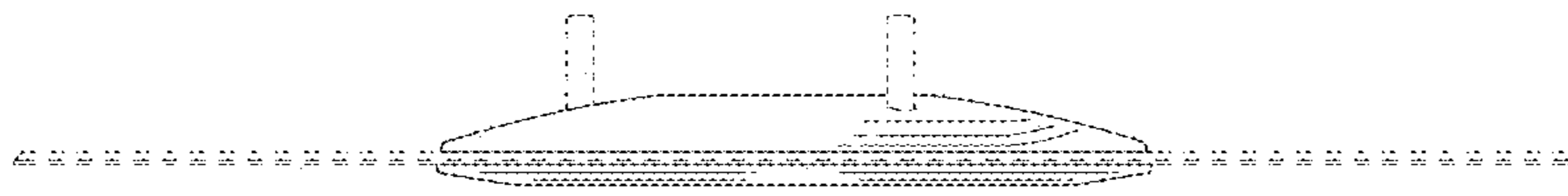


Fig. 6



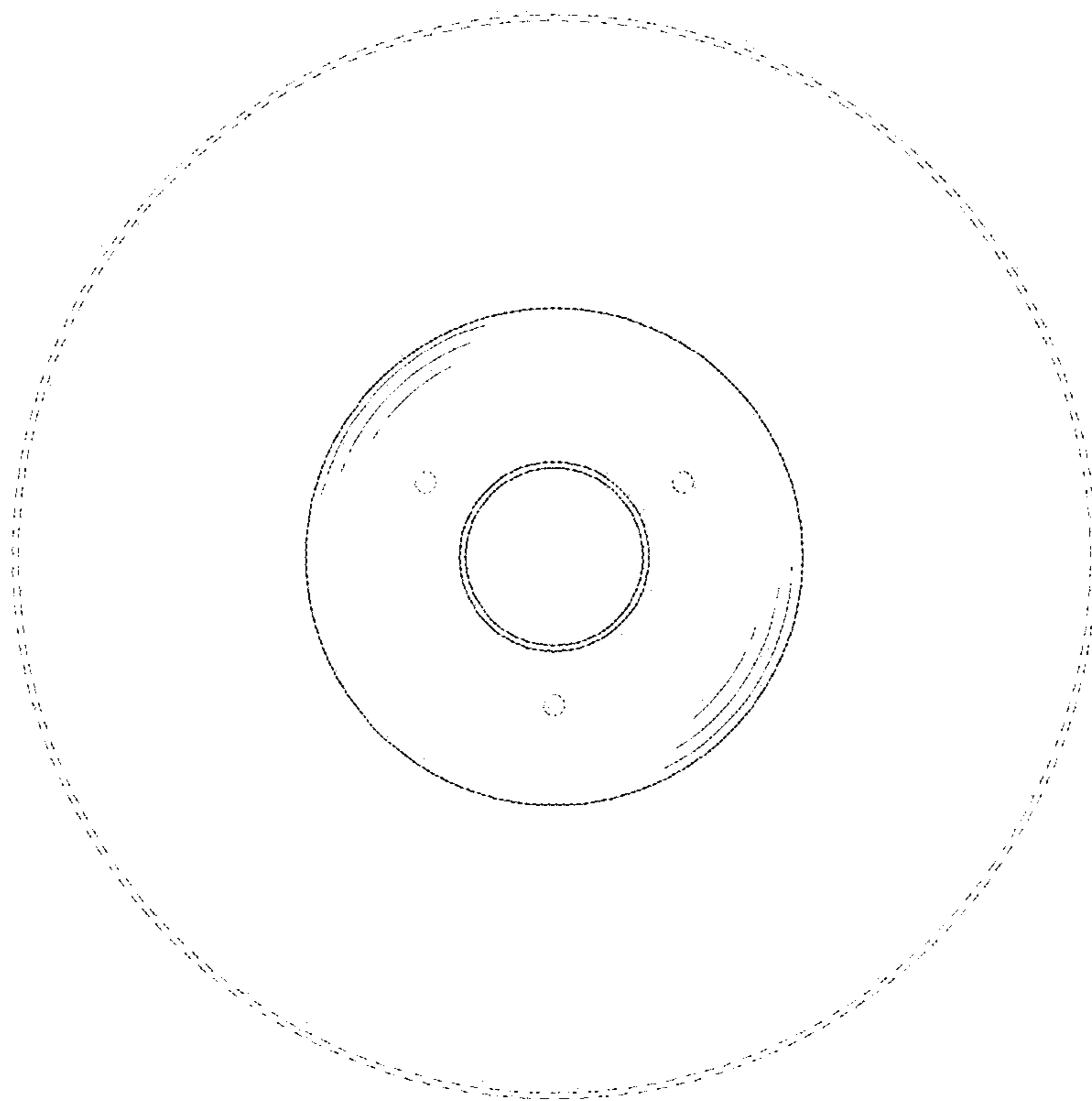


Fig. 7

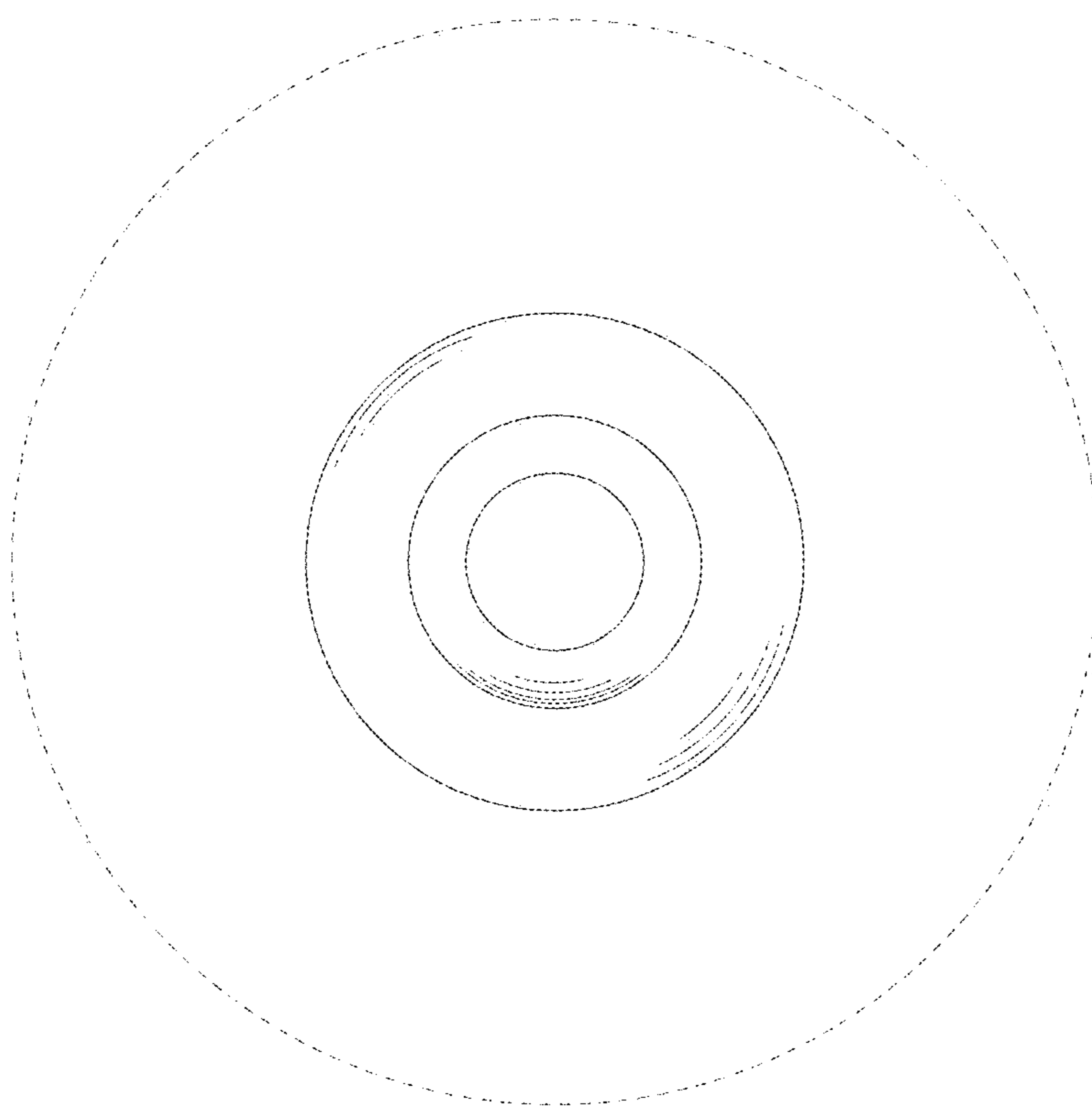


Fig. 8

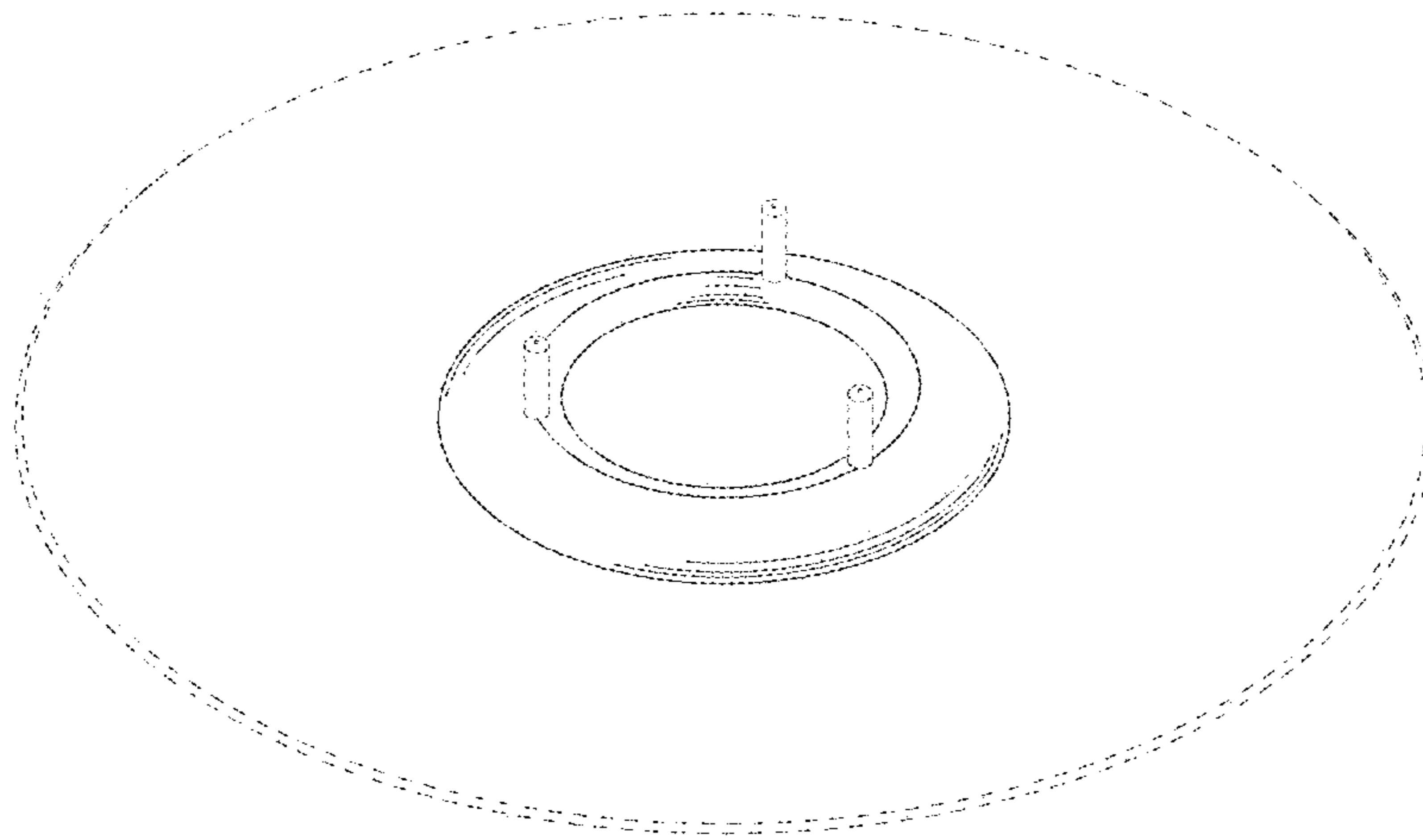


Fig. 9

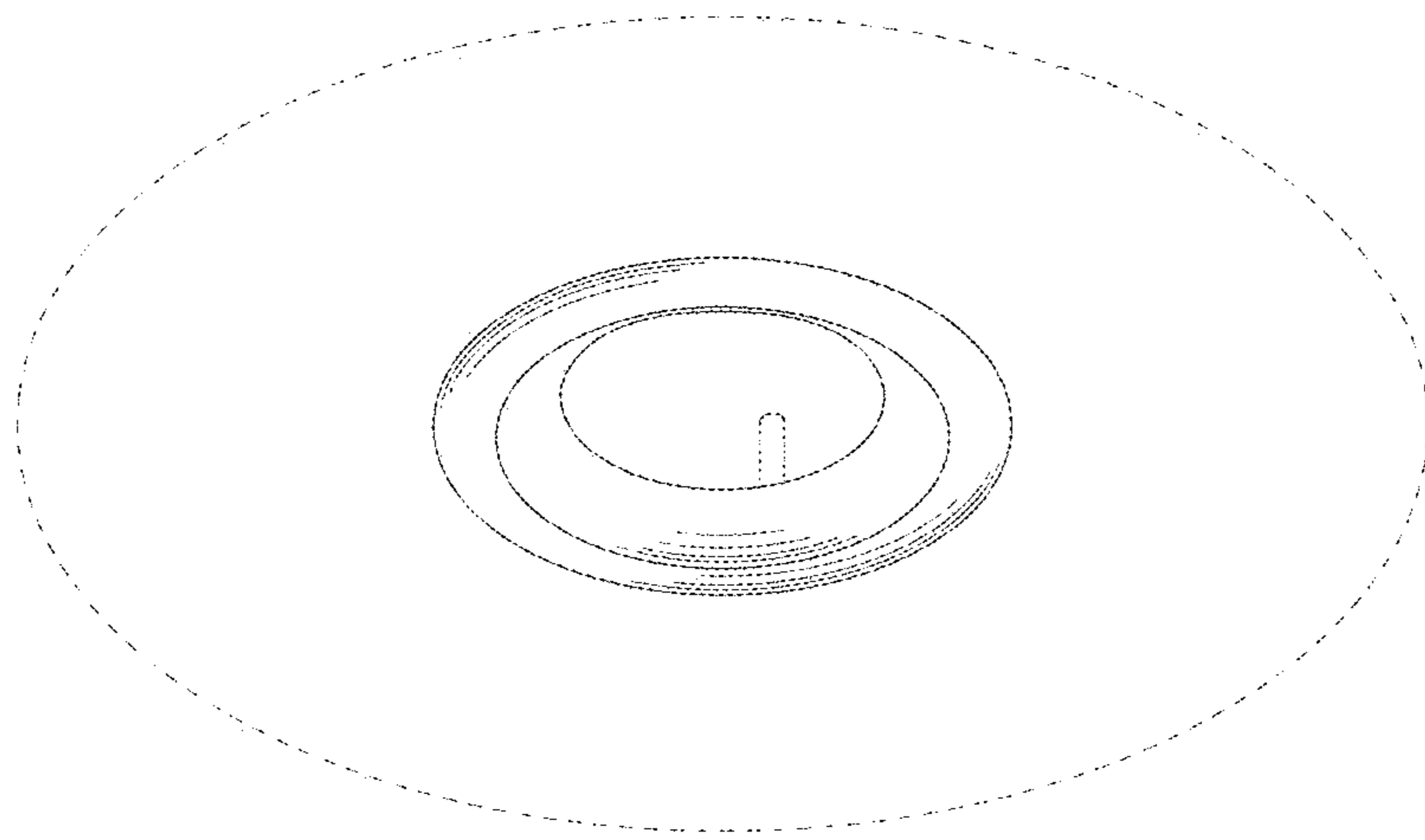


Fig. 10

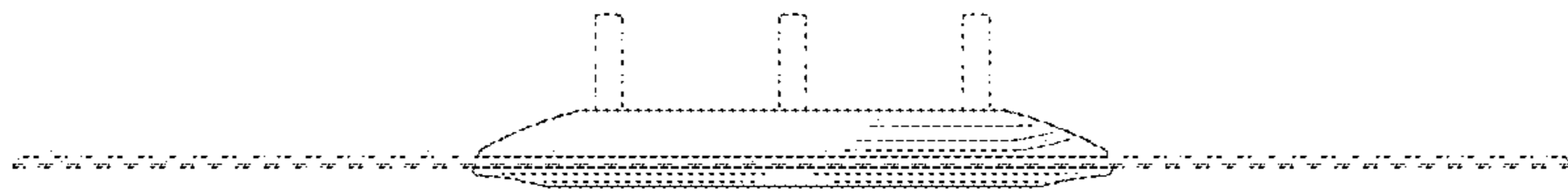


Fig. 11

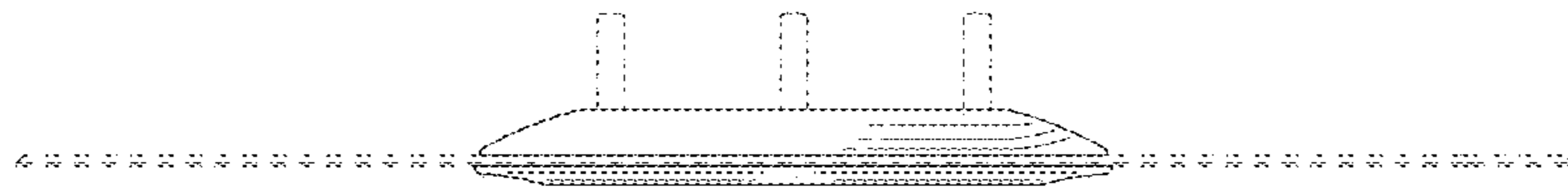


Fig. 12

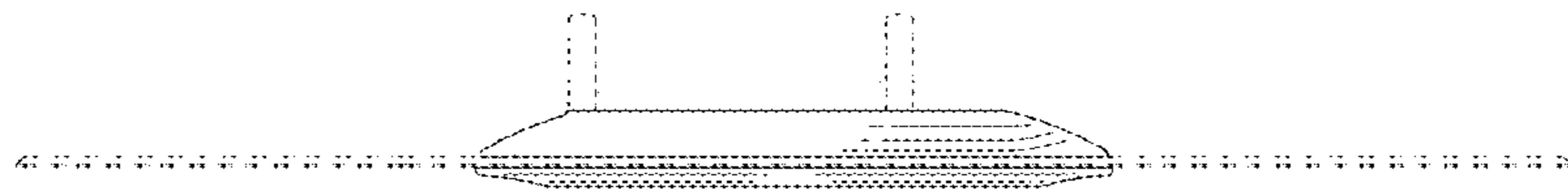


Fig. 13

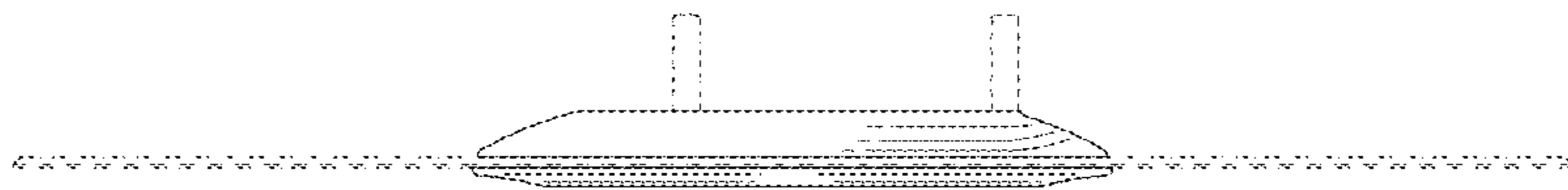


Fig. 14



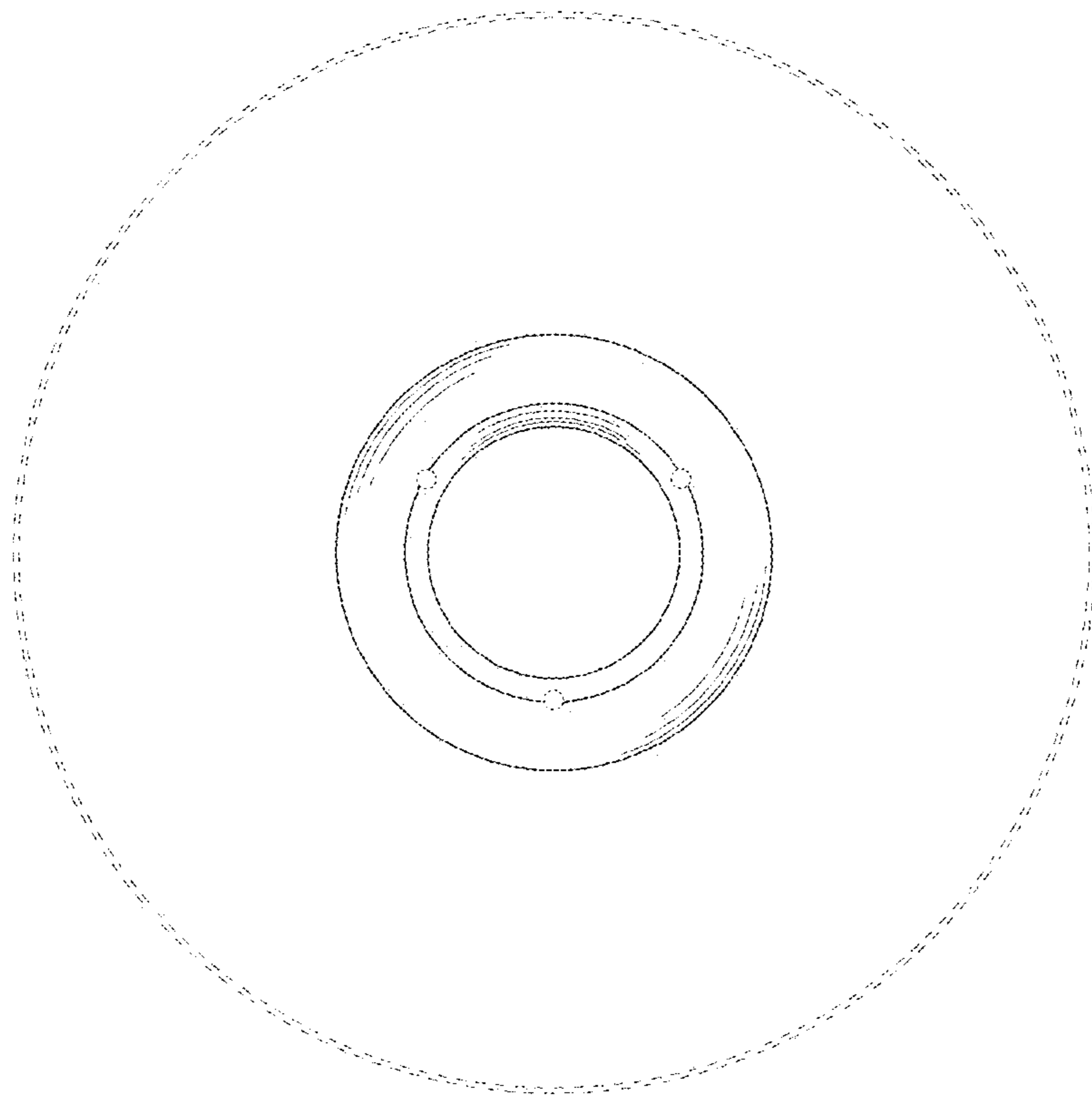


Fig. 15

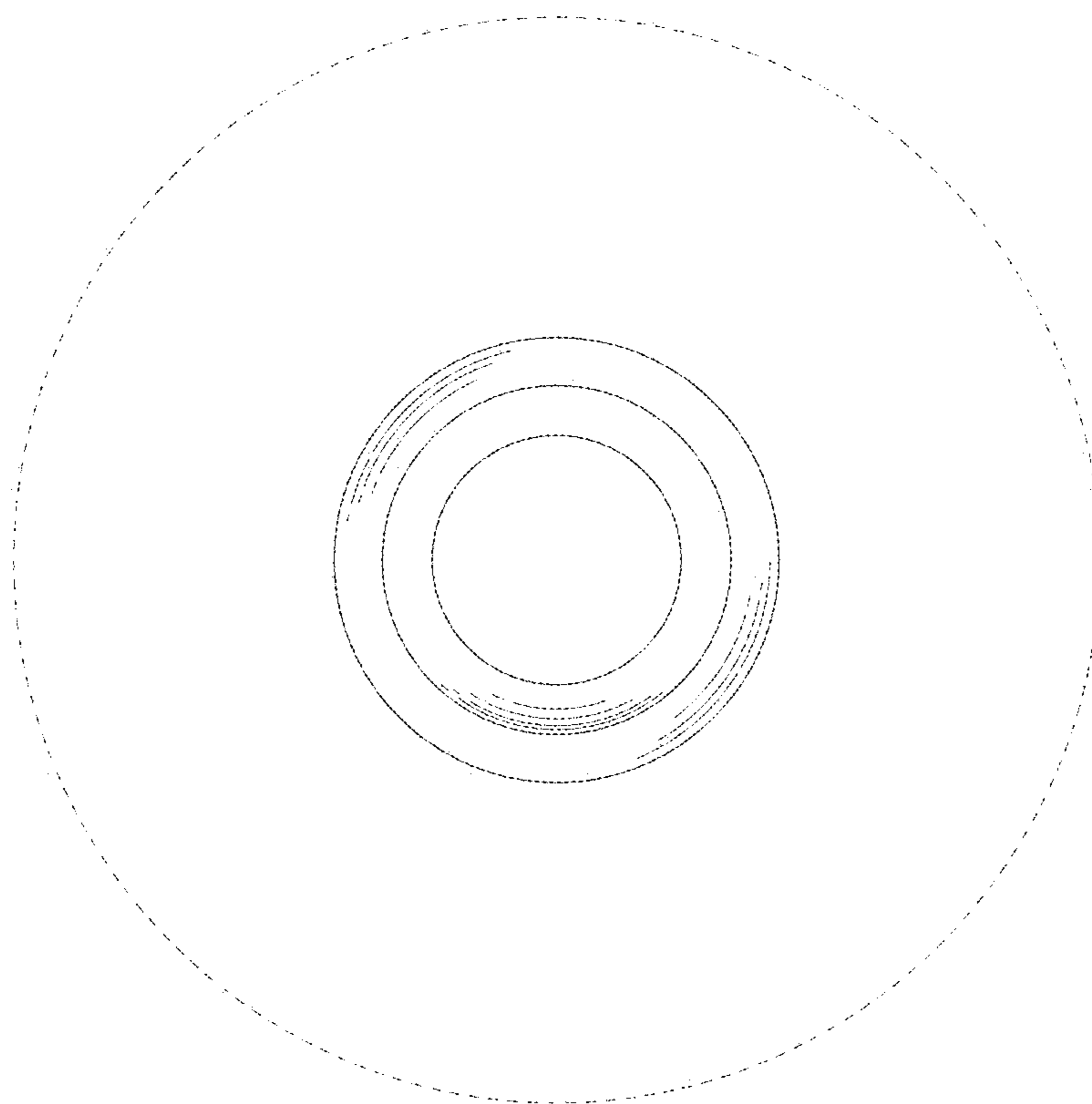


Fig. 16

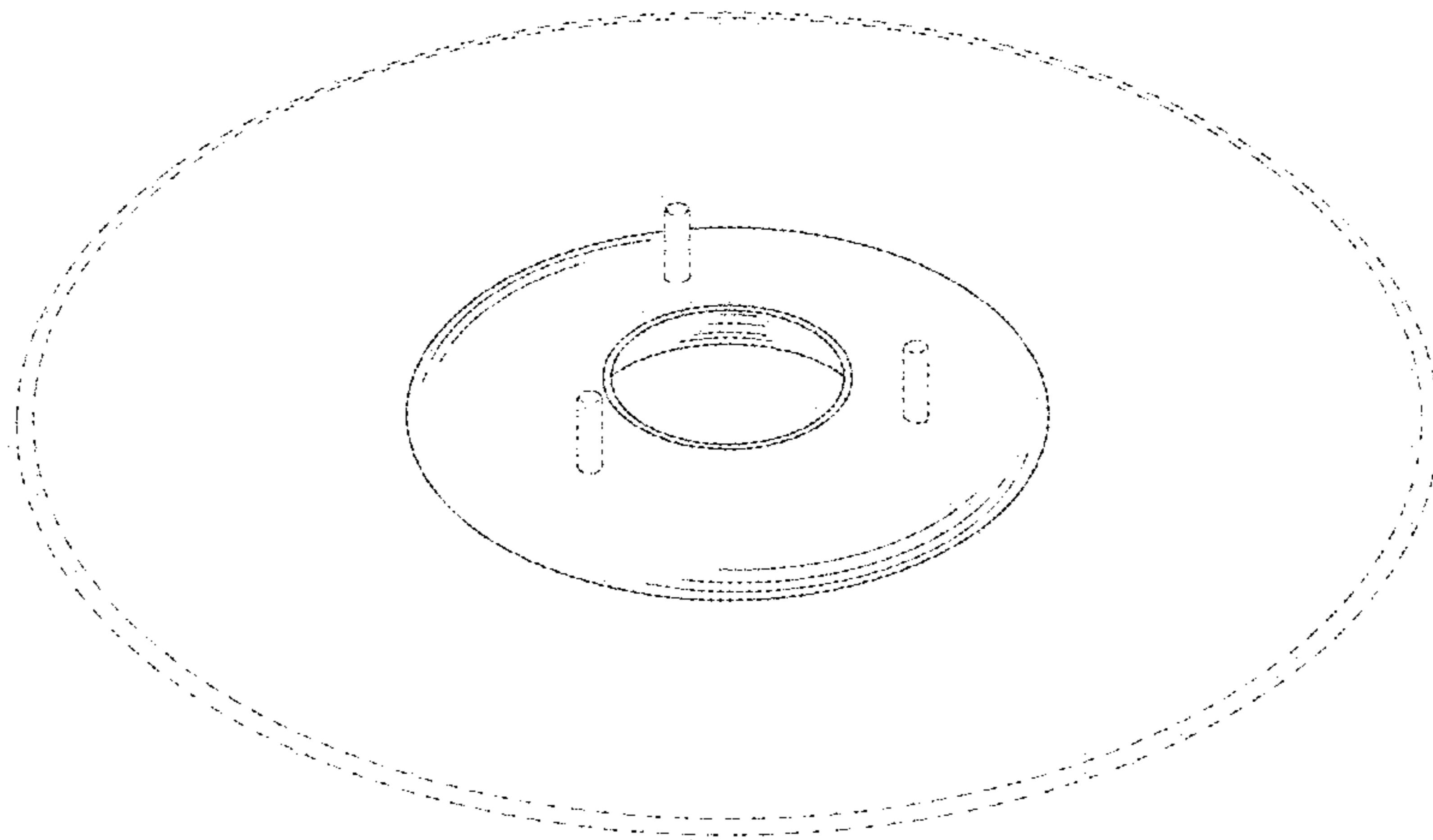


Fig. 17

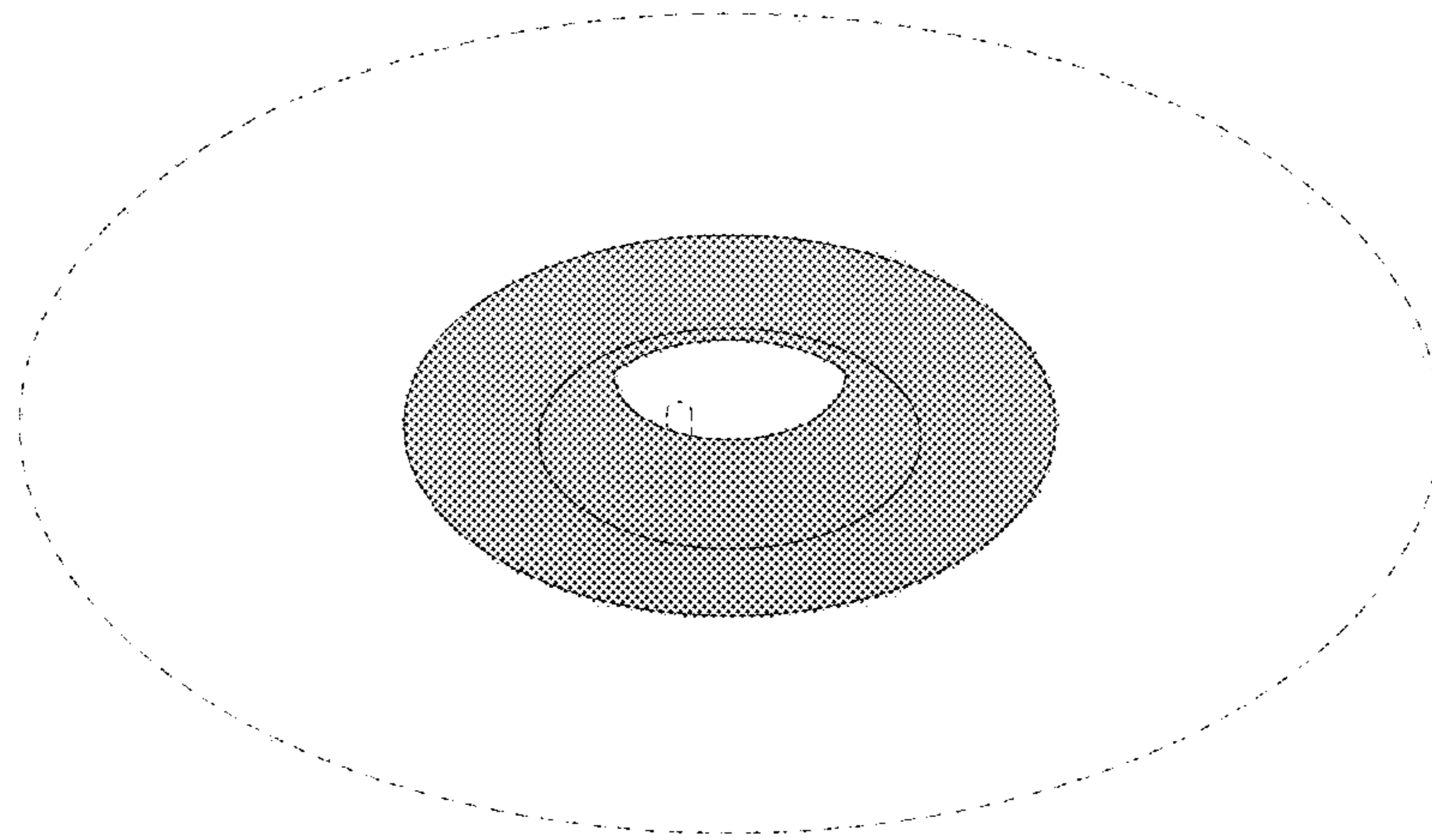


Fig. 18

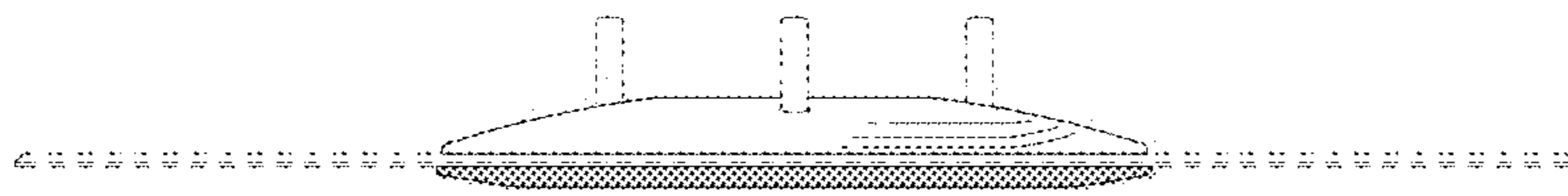


Fig. 19

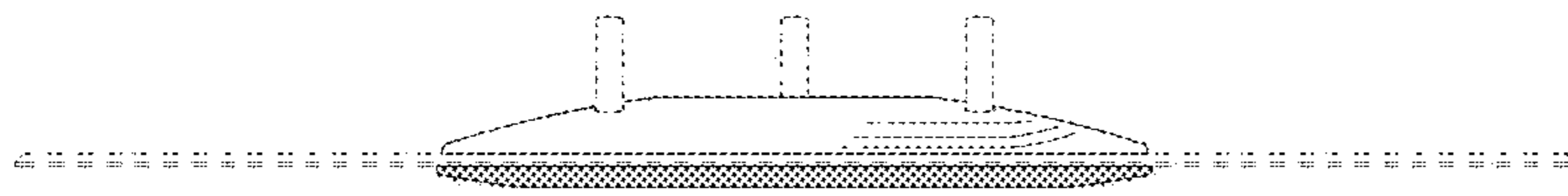


Fig. 20

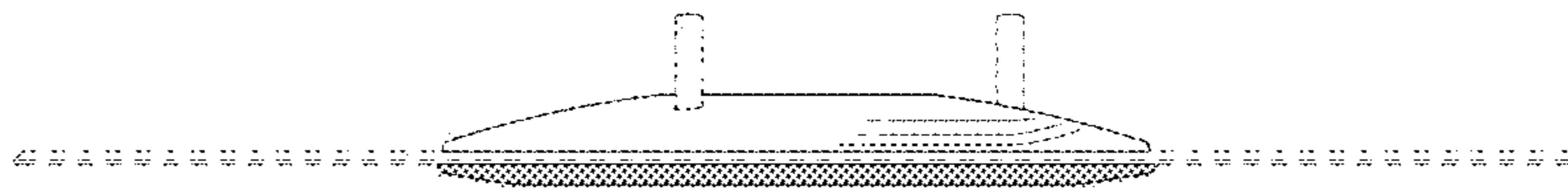


Fig. 21

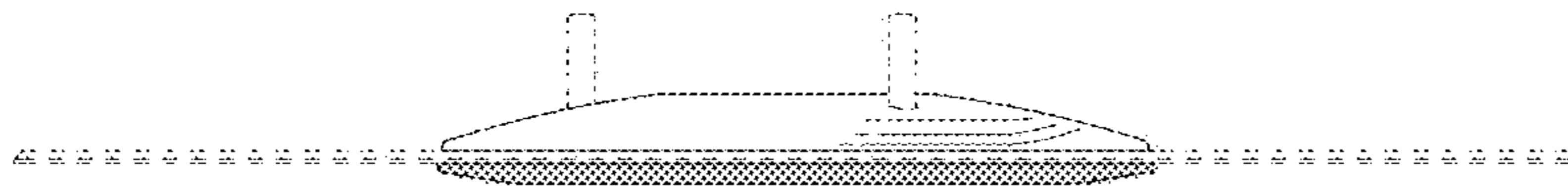


Fig. 22



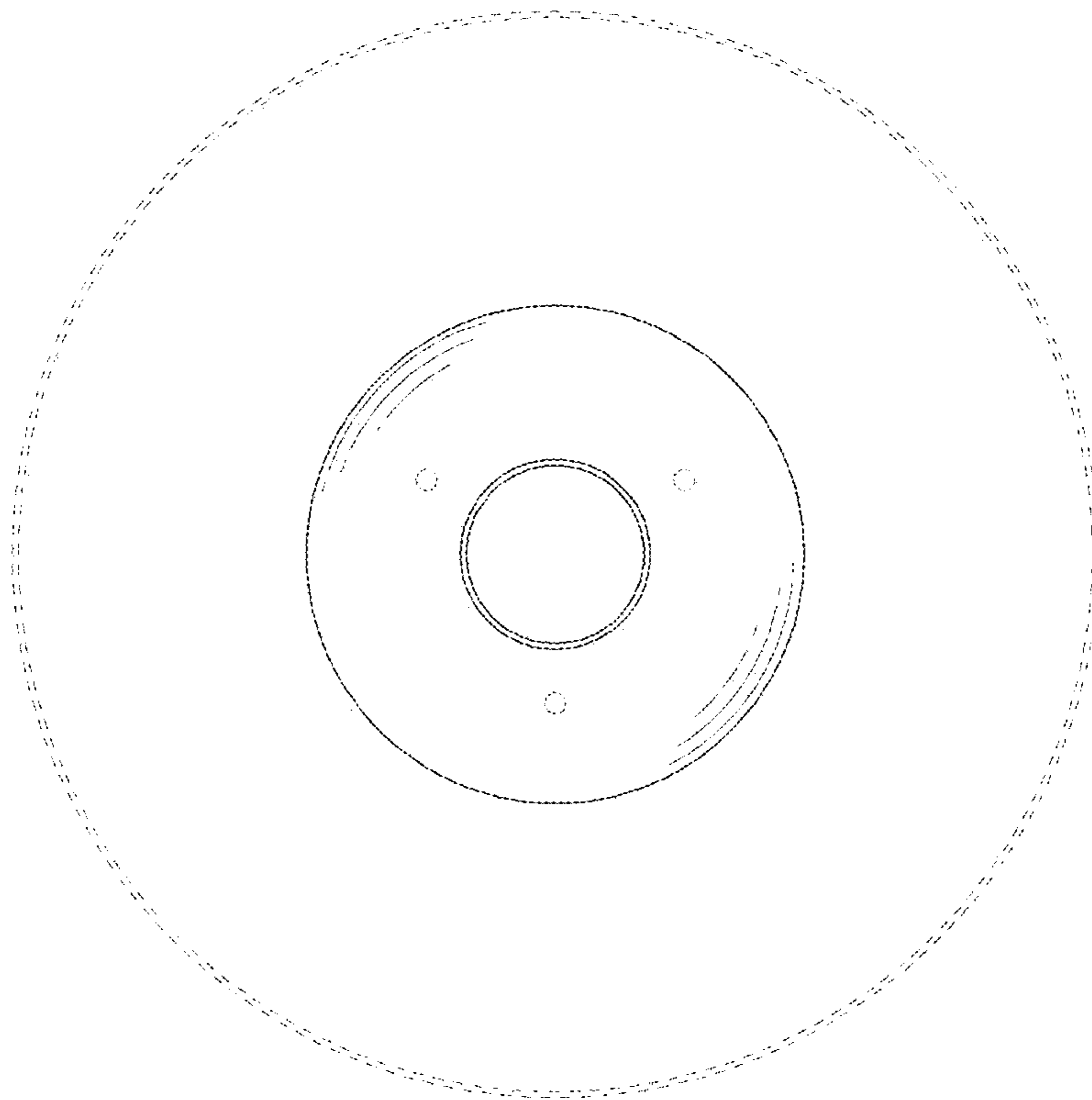


Fig. 23

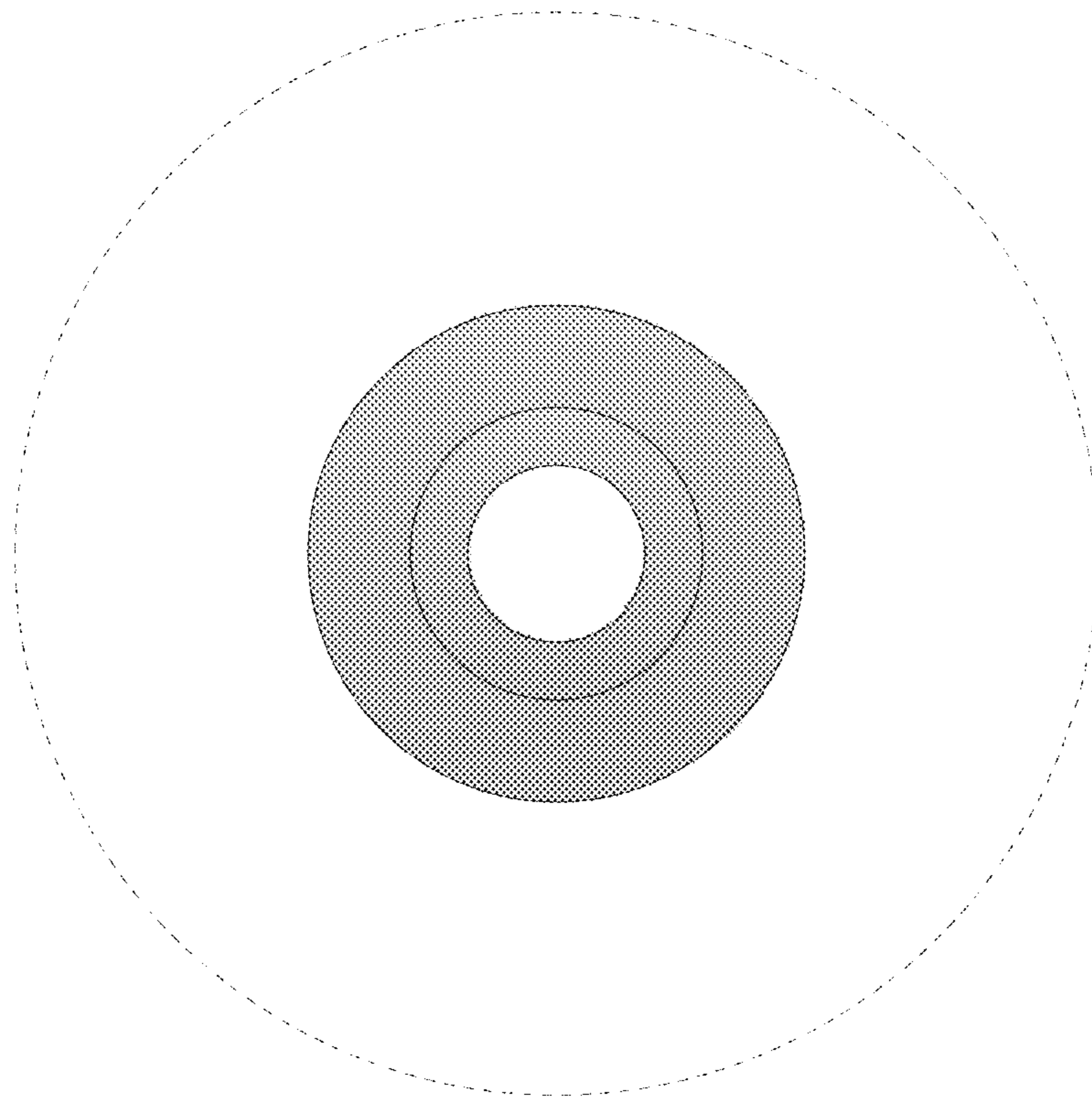


Fig. 24

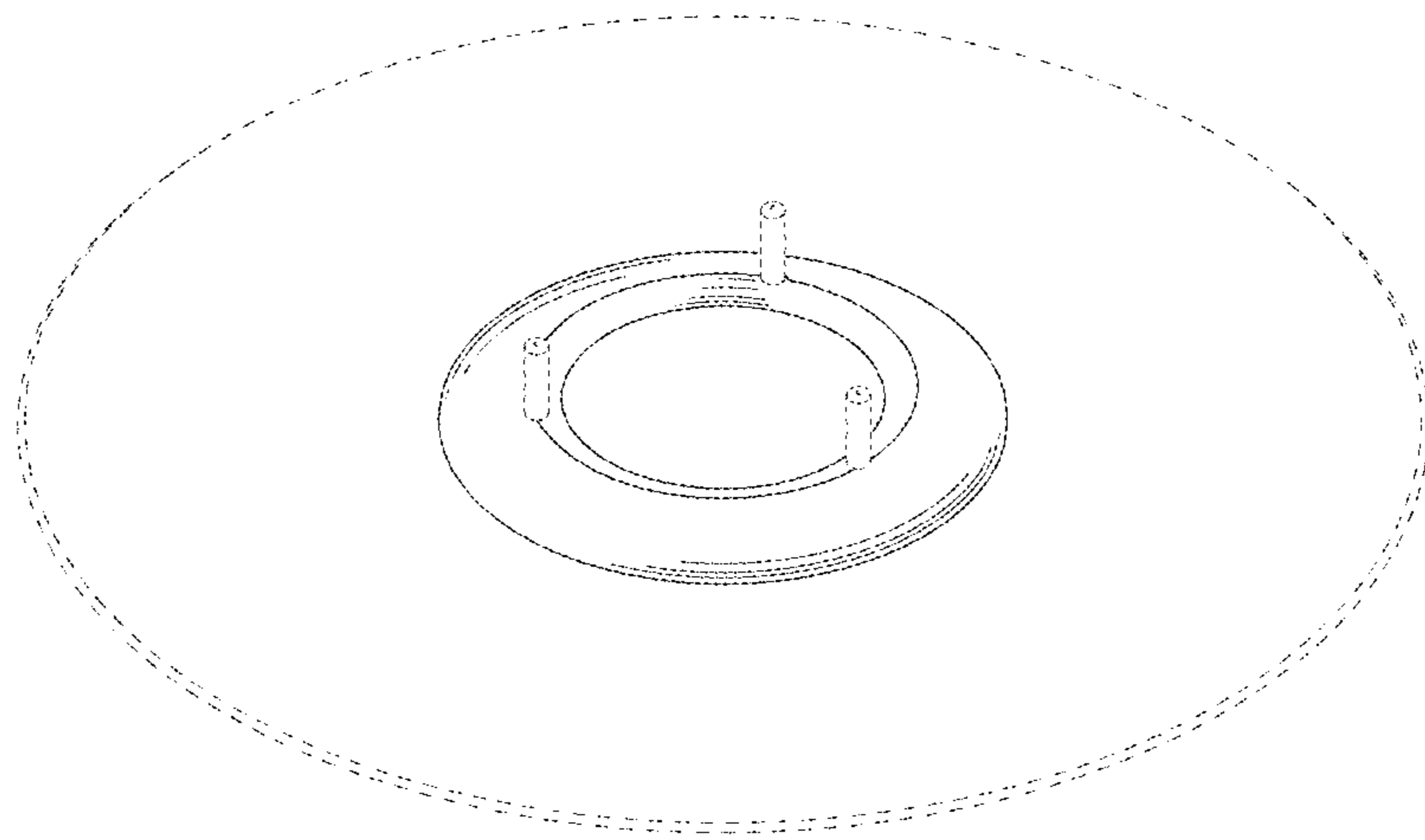


Fig. 25

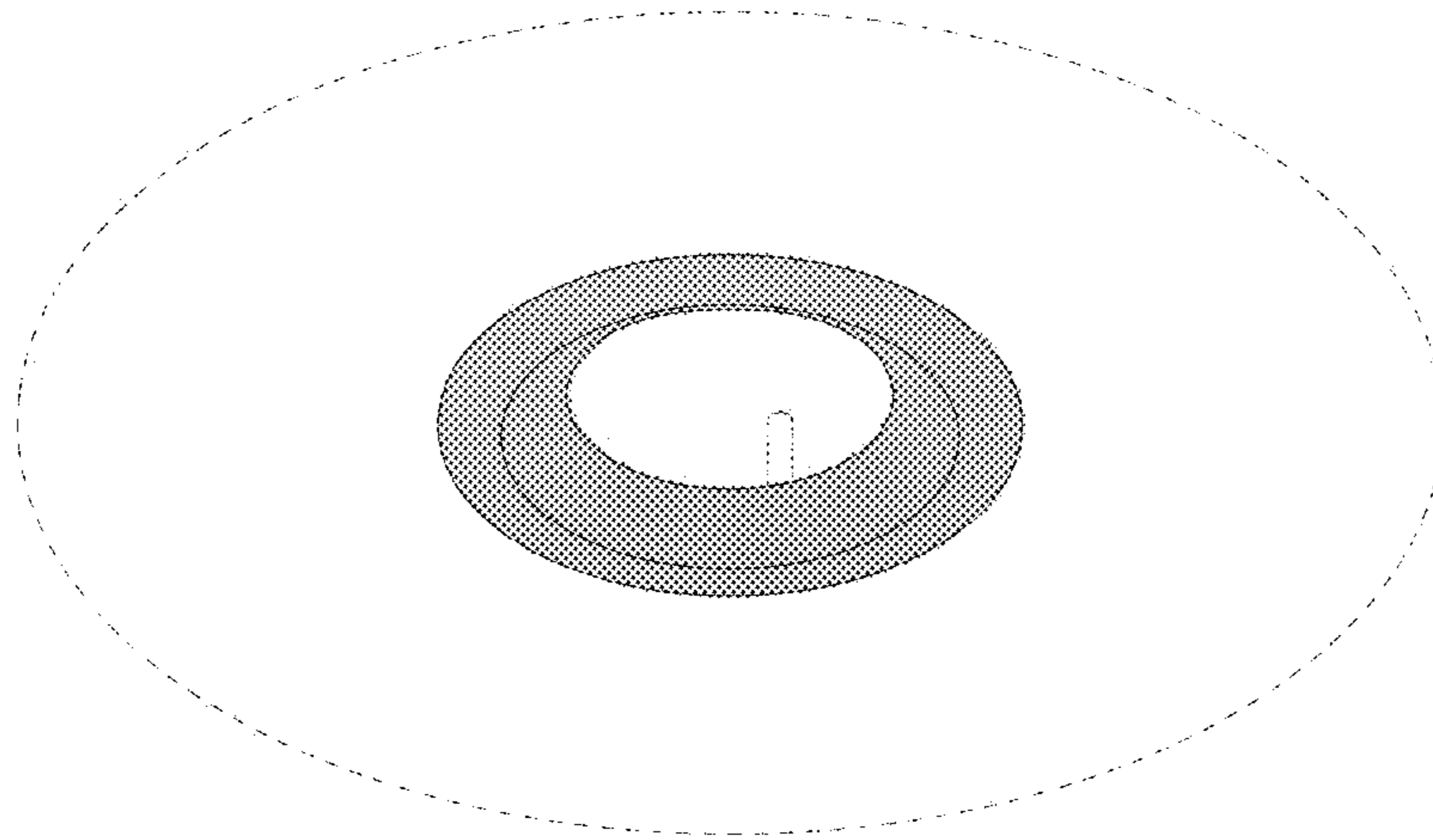


Fig. 26

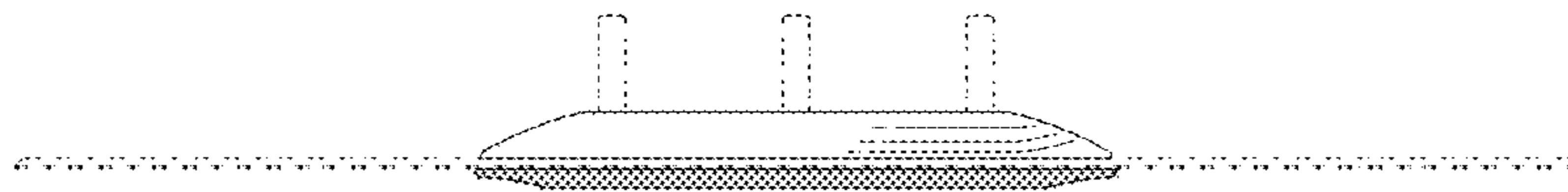


Fig. 27

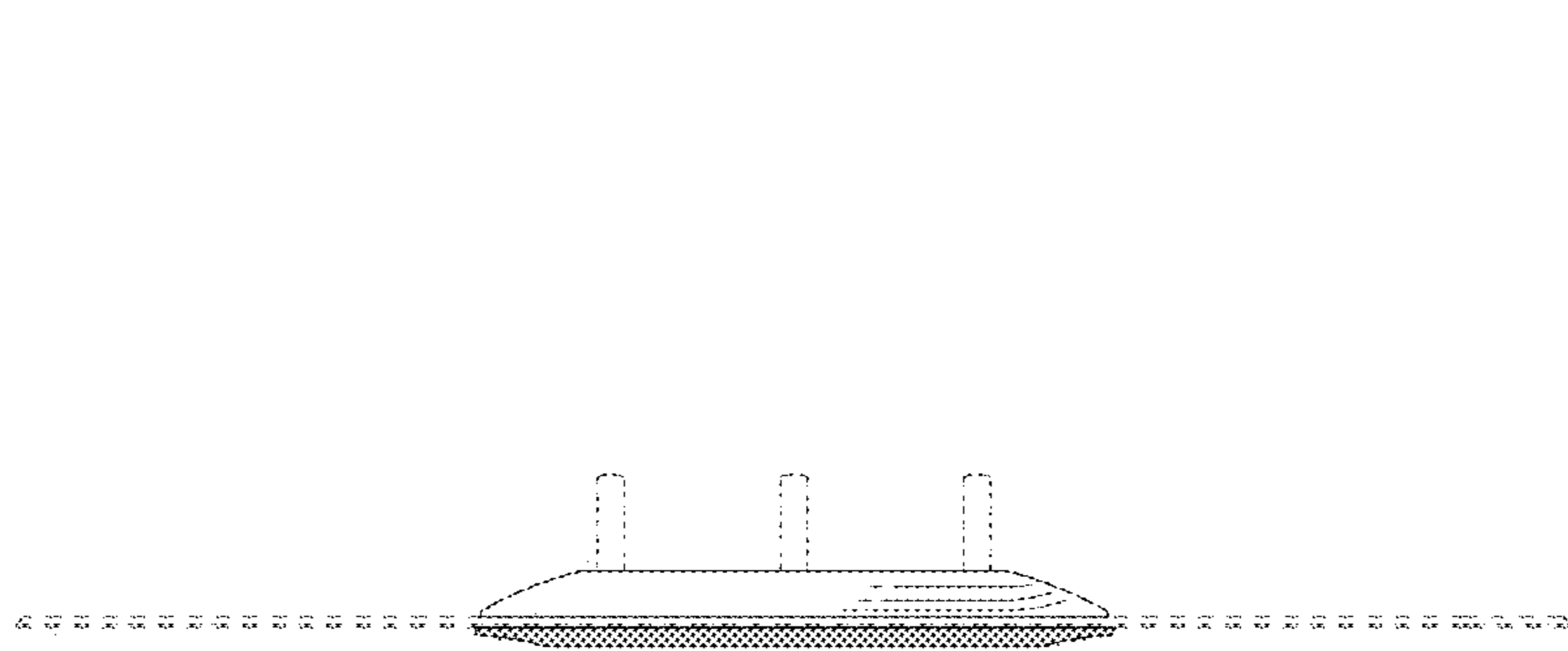


Fig. 28

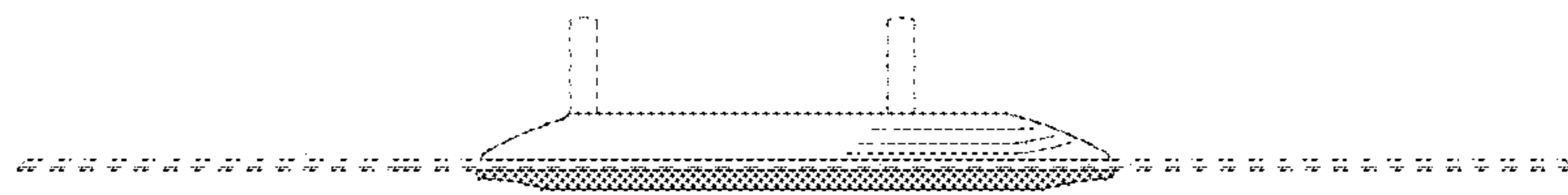


Fig. 29

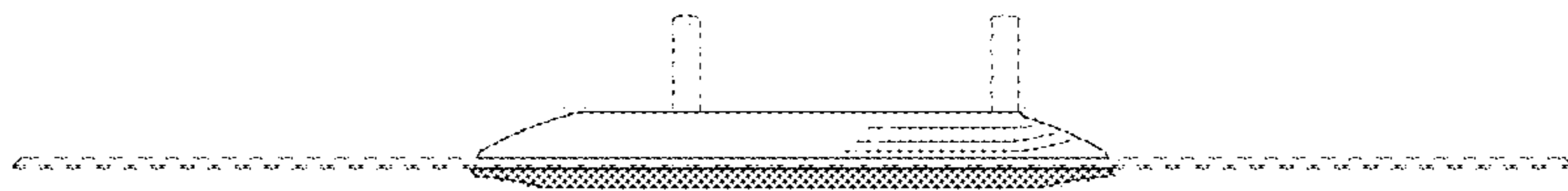


Fig. 30



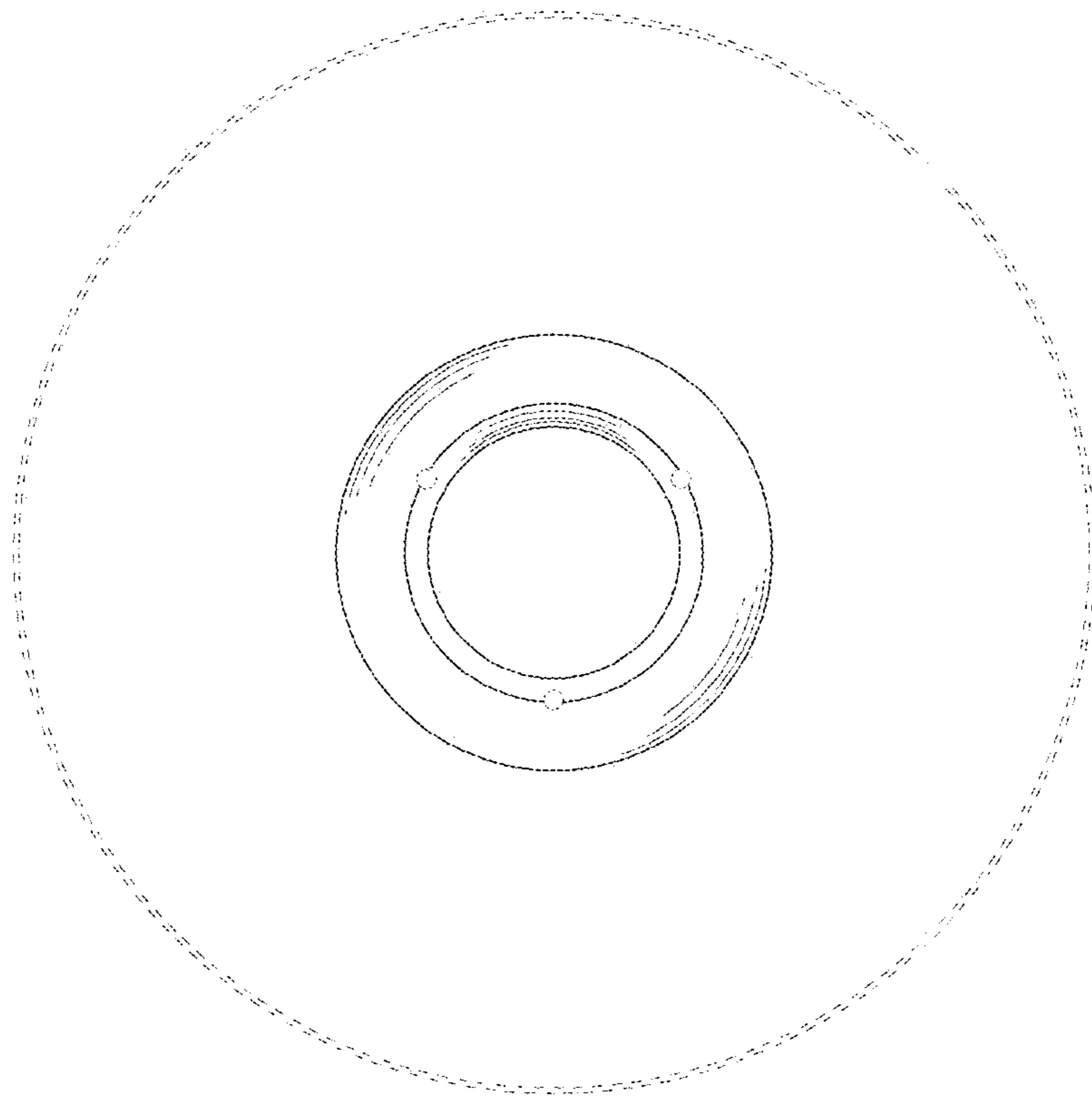


Fig. 31

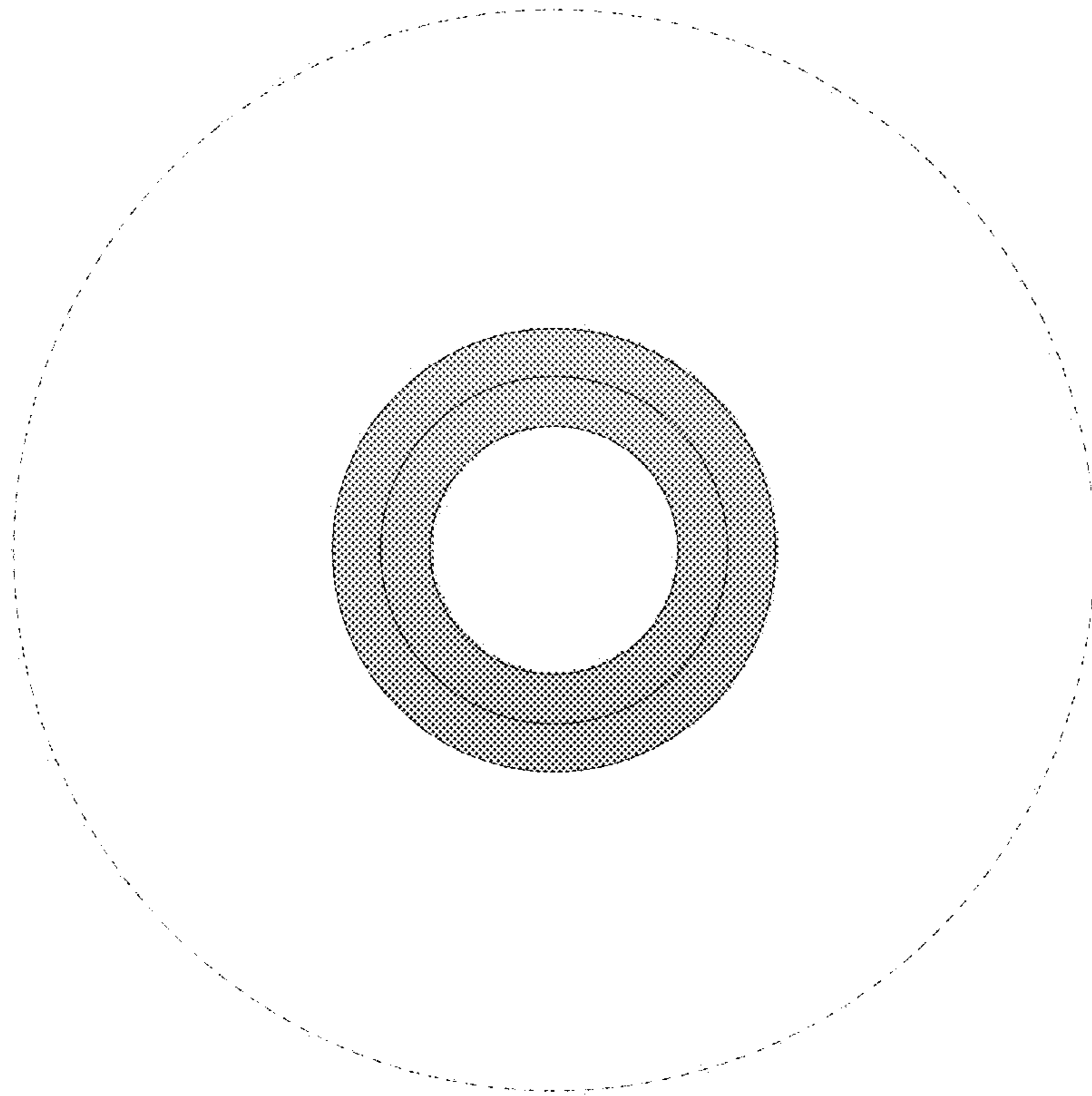


Fig. 32