



US00D871653S

(12) **United States Design Patent**
Zhuo

(10) **Patent No.:** **US D871,653 S**

(45) **Date of Patent:** **** Dec. 31, 2019**

(54) **SPOT LAMP HOLDER**

(71) Applicant: **ZHONGSHAN YINGHAO SOLAR TECHNOLOGY CO., LTD,**
Zhongshan (CN)

(72) Inventor: **Qiang Zhuo,** Zhongshan (CN)

(73) Assignee: **ZHONGSHAN YINGHAO SOLAR TECHNOLOGY CO., LTD,**
Zhongshan (CN)

(**) Term: **15 Years**

(21) Appl. No.: **29/624,692**

(22) Filed: **Nov. 2, 2017**

(30) **Foreign Application Priority Data**

Sep. 18, 2017 (CN) 2017 3 0441581

(51) **LOC (12) Cl.** **26-03**

(52) **U.S. Cl.**
USPC **D26/113; D26/61**

(58) **Field of Classification Search**
USPC D26/1, 24, 61, 63, 65, 113
CPC F21V 21/14; F21V 15/01; F21V 14/02;
F21V 21/30; F21V 14/00; F21V 19/04;
F21S 8/00; F21Y 2105/001

See application file for complete search history.

(56) **References Cited**

U.S. PATENT DOCUMENTS

D304,623	S	*	11/1989	Roulstone	D26/63
D361,147	S	*	8/1995	Wedell	D26/63
D361,149	S	*	8/1995	Wedell	D26/63
D441,113	S	*	4/2001	Small	D26/63
D583,974	S	*	12/2008	Johnson	D26/61
D624,224	S	*	9/2010	Guercio	D26/61

* cited by examiner

Primary Examiner — Brian N. Vinson

(74) *Attorney, Agent, or Firm* — Wayne & Ken, LLC;
Tony Hom

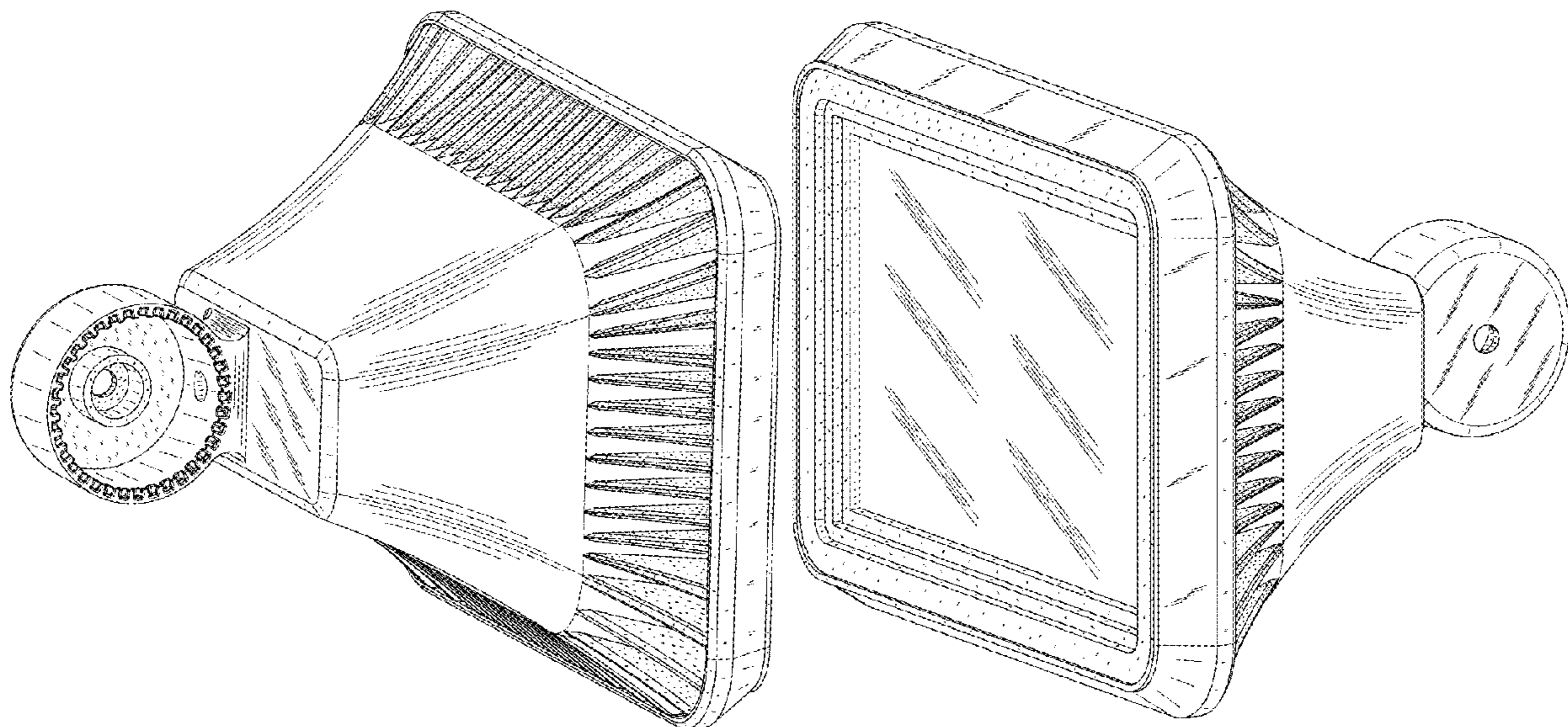
(57) **CLAIM**

A new, original, ornamental design for a spot lamp holder,
as shown and described.

DESCRIPTION

FIG. 1 is a perspective view of a spot lamp holder showing my new design;
FIG. 2 is another perspective view thereof;
FIG. 3 is a front view thereof;
FIG. 4 is a back view thereof;
FIG. 5 is a left view thereof;
FIG. 6 is a right view thereof;
FIG. 7 is a top view thereof; and,
FIG. 8 is a bottom view thereof.

1 Claim, 8 Drawing Sheets



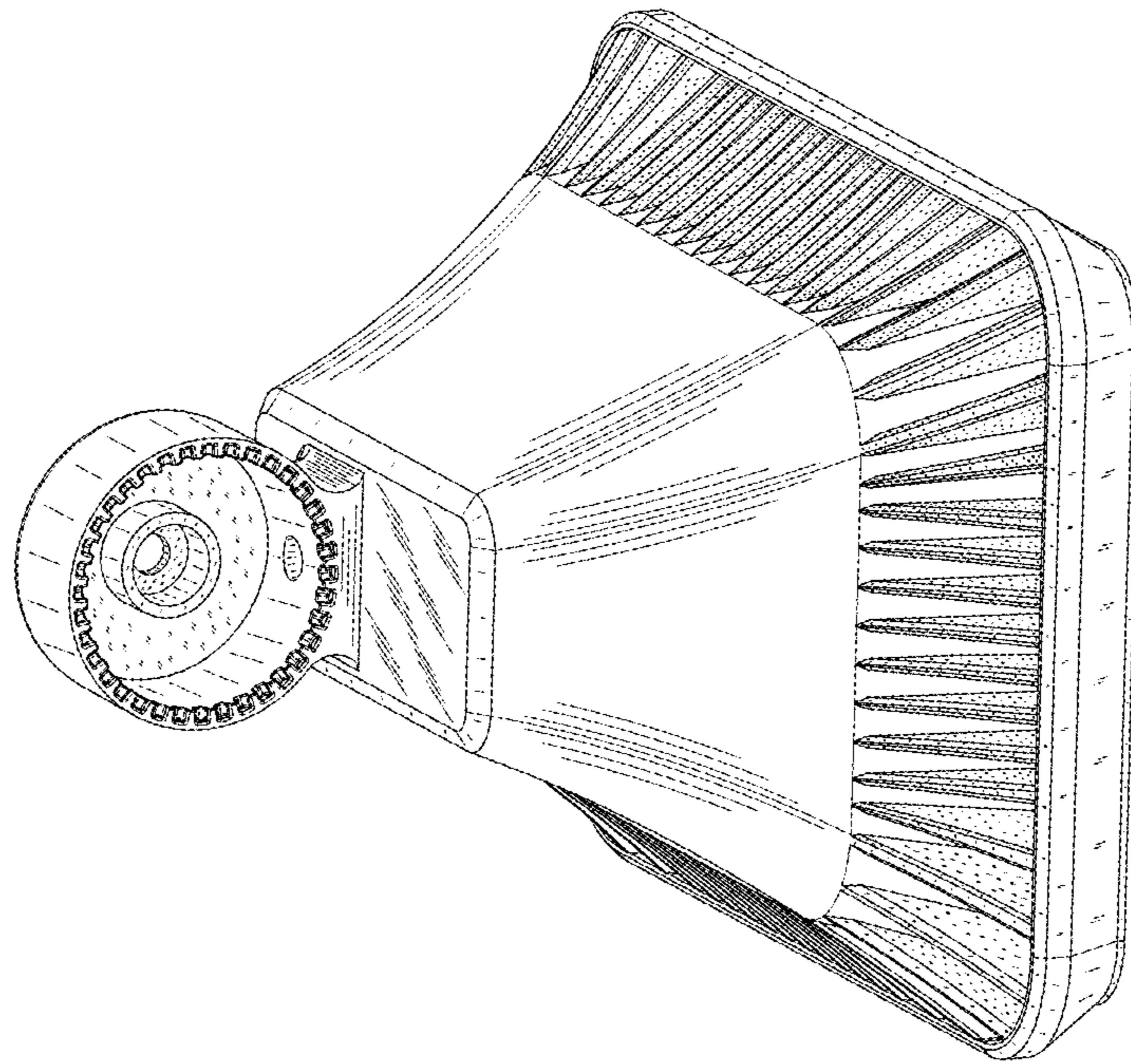


FIG .1

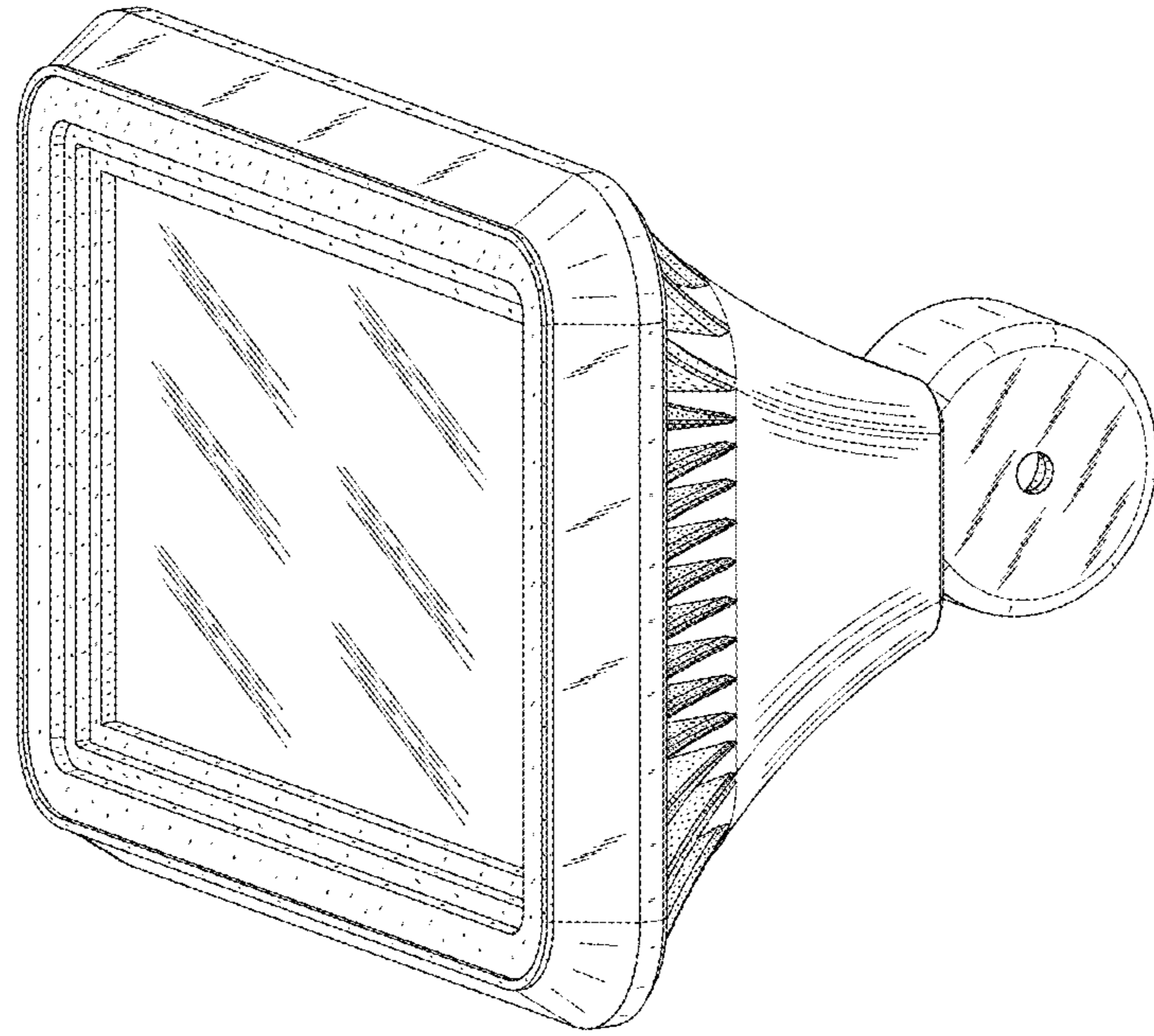


FIG .2

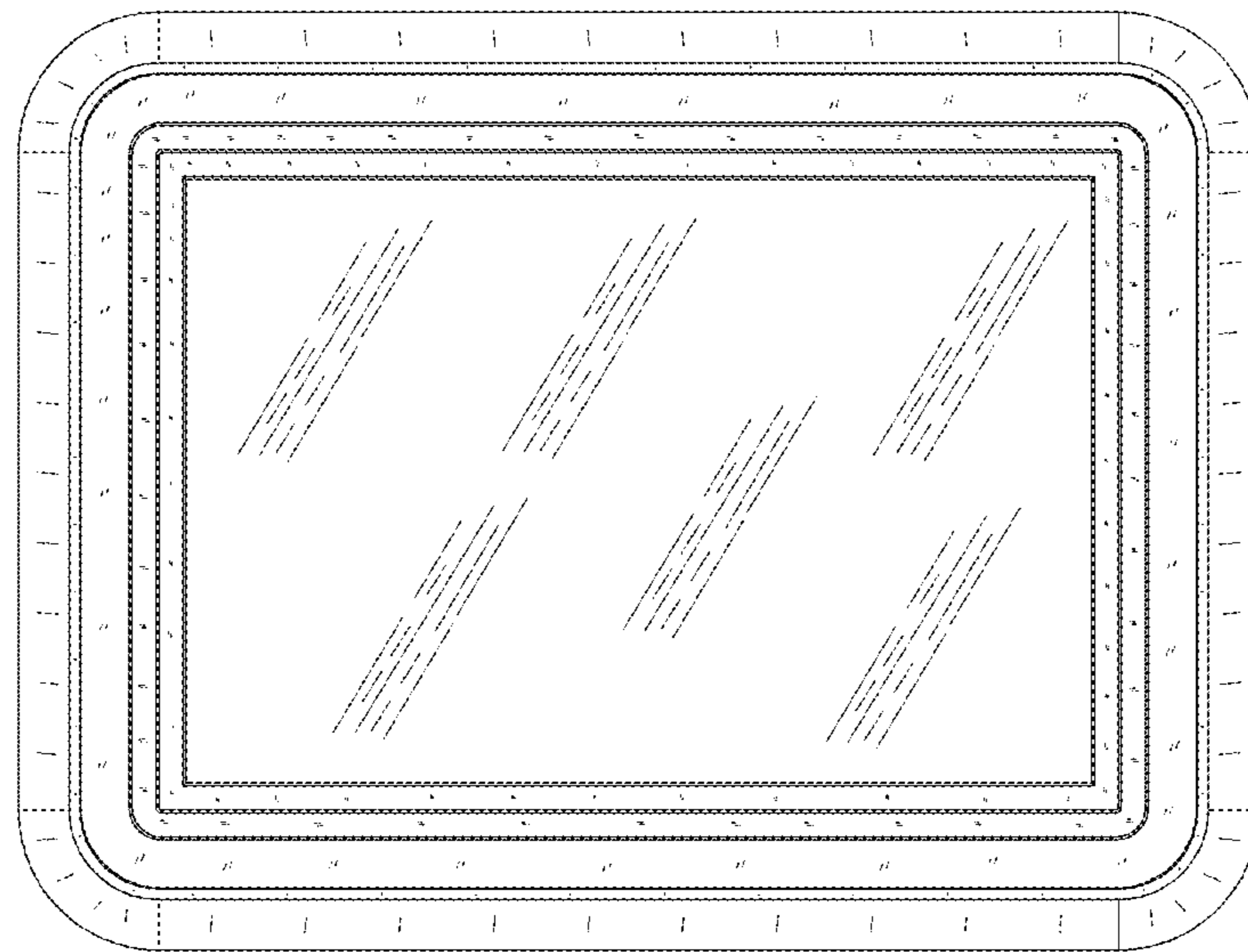


FIG .3

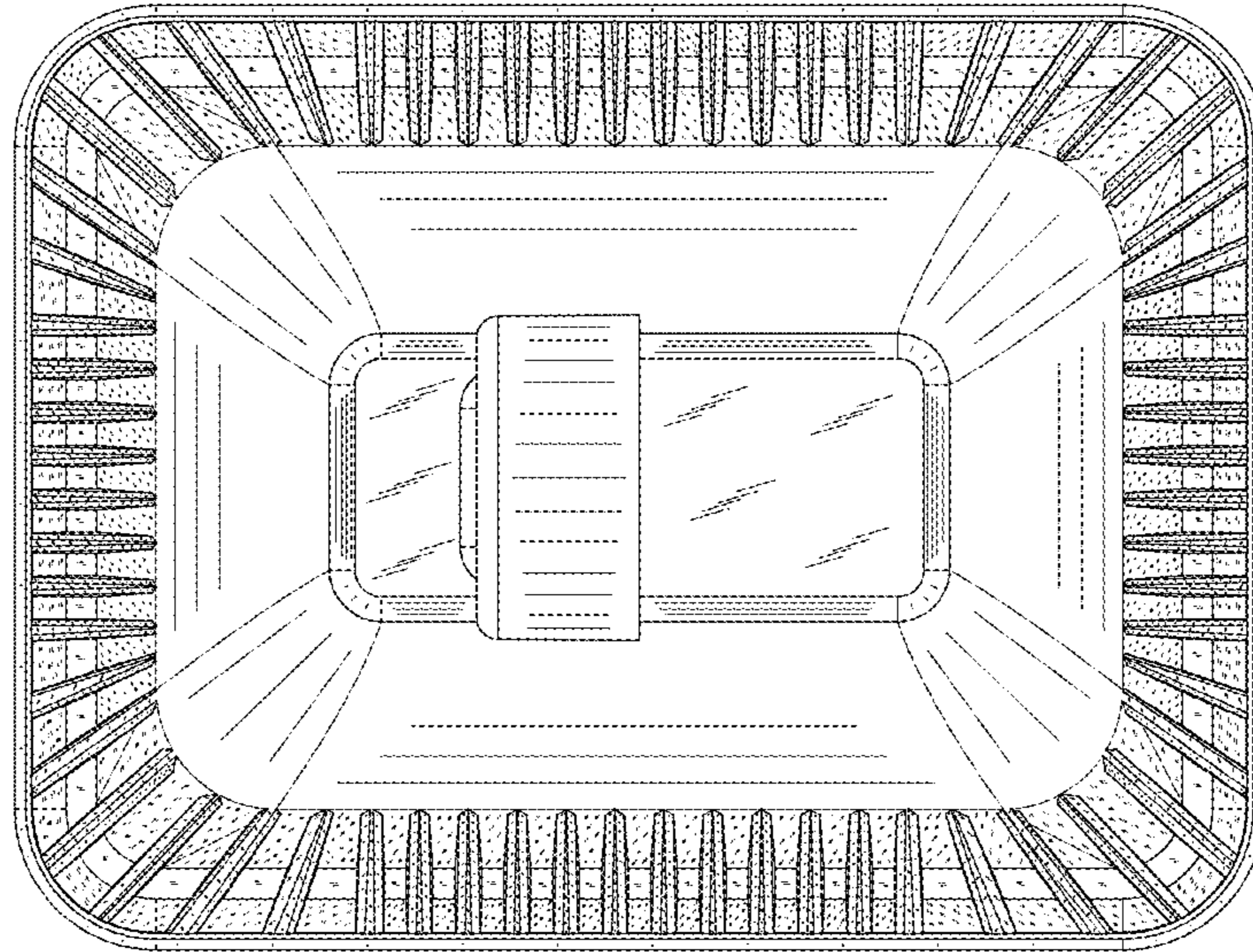


FIG .4

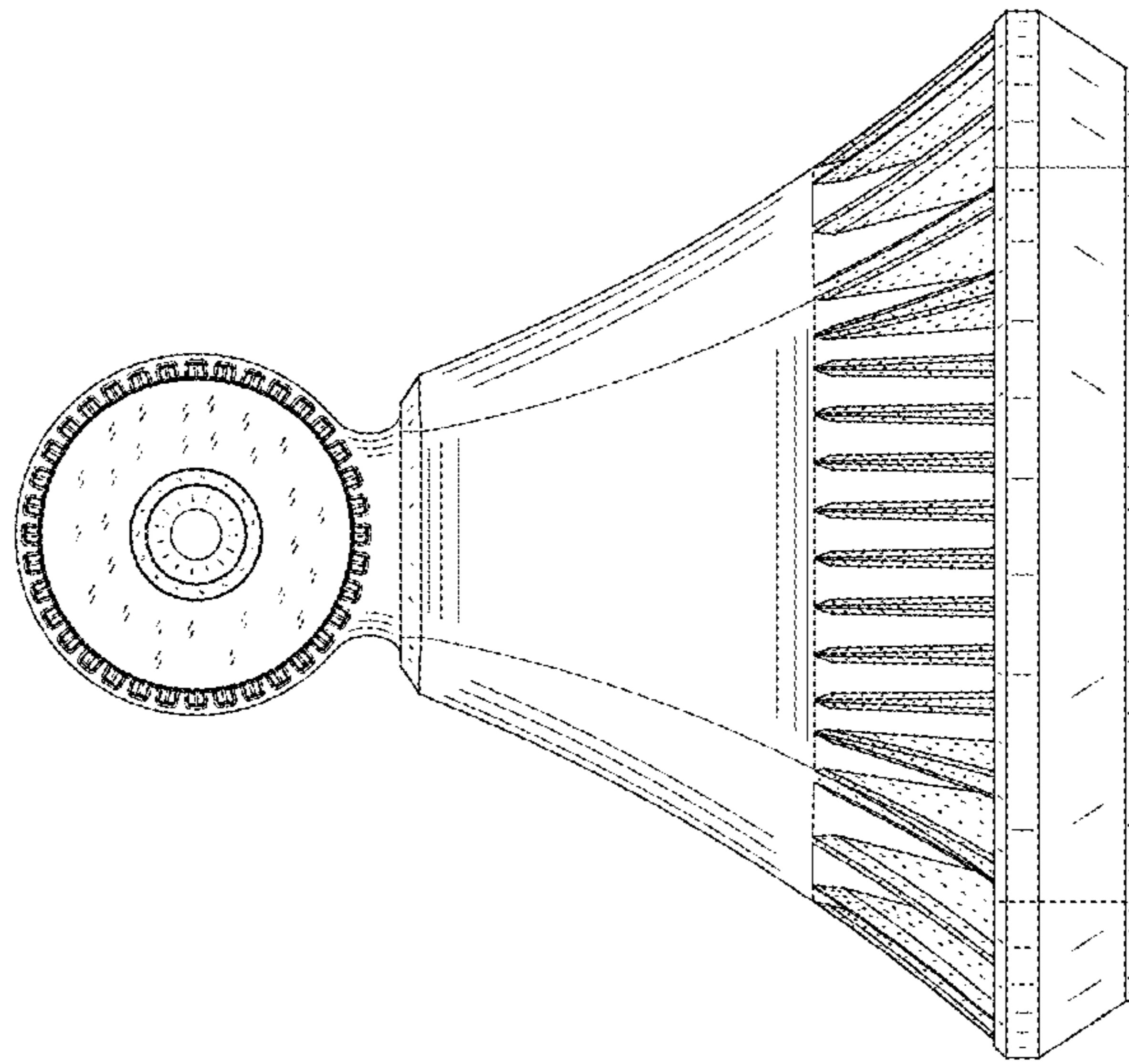


FIG .5

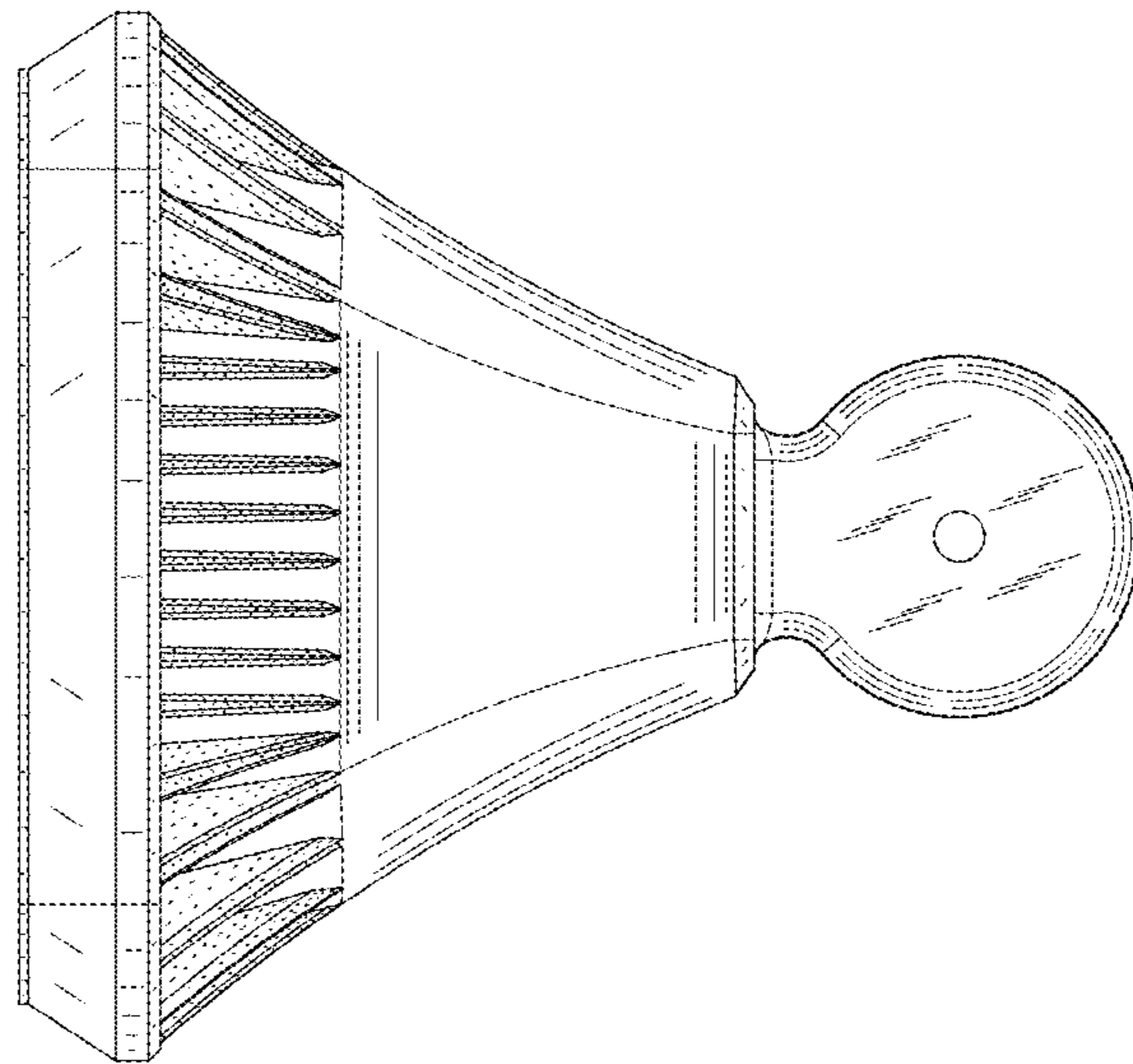


FIG .6

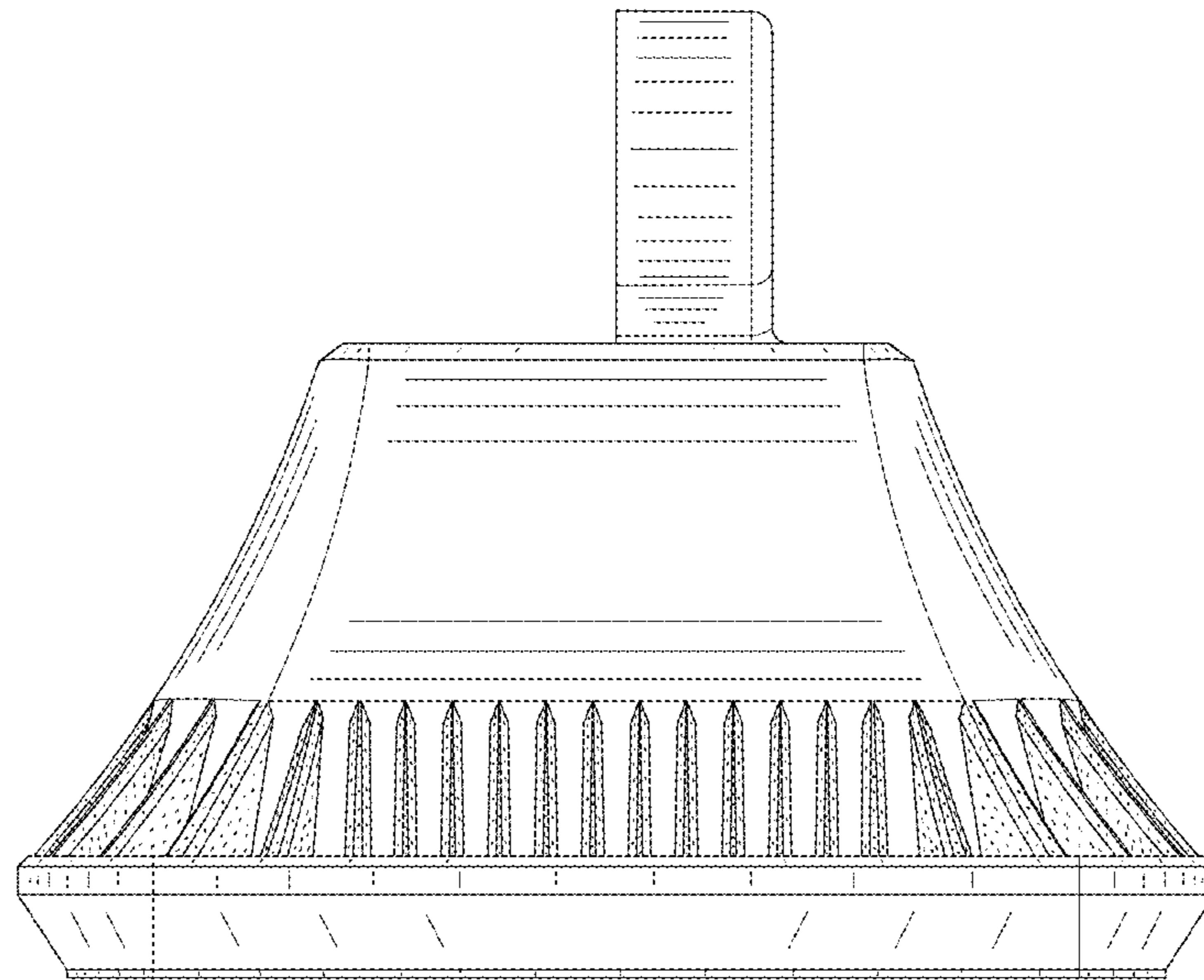


FIG .7

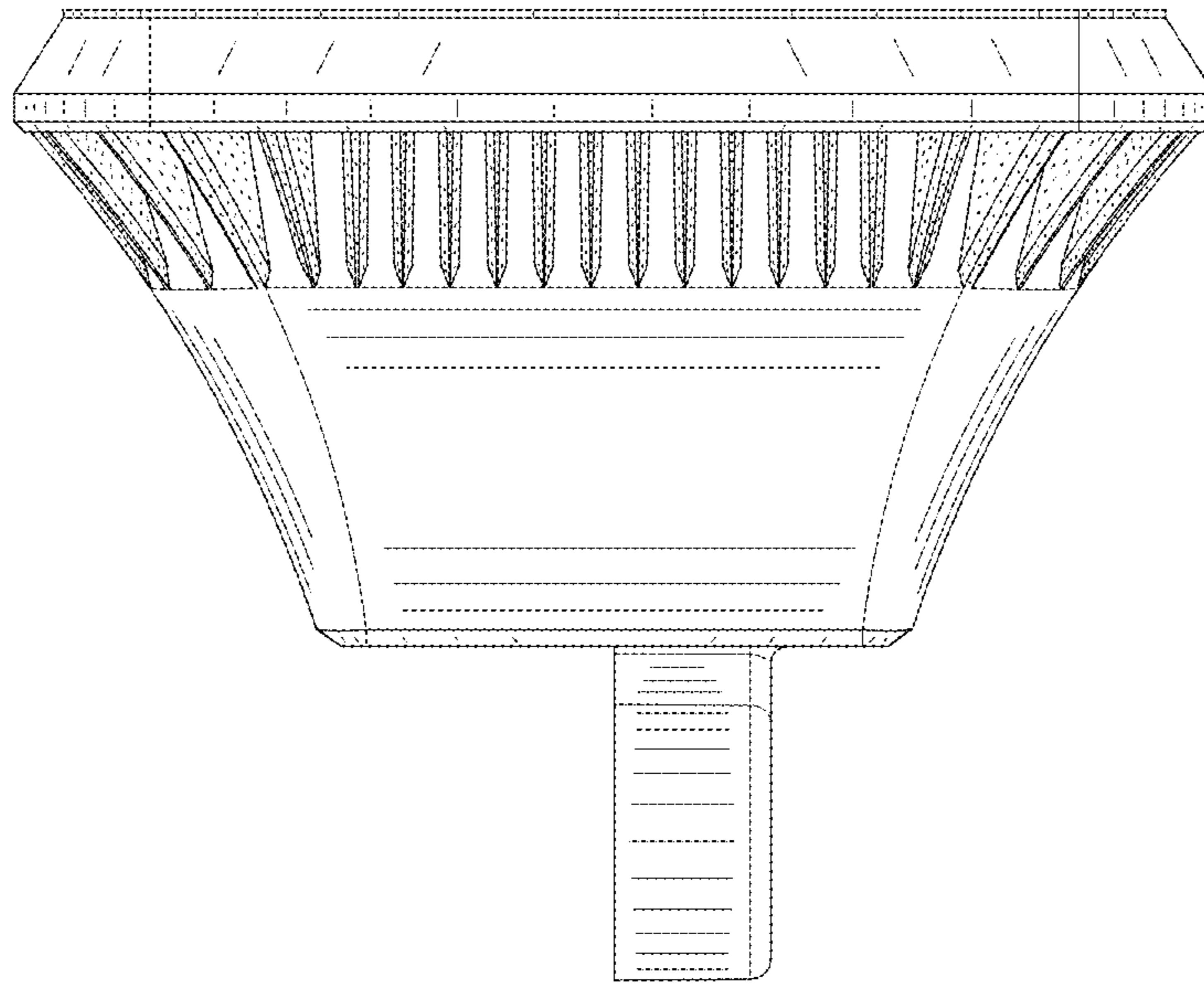


FIG .8