



US00D871648S

(12) **United States Design Patent**  
**Tong**

(10) **Patent No.:** **US D871,648 S**

(45) **Date of Patent:** **\*\* Dec. 31, 2019**

(54) **DESK LAMP**

D744,692 S \* 12/2015 Poulton ..... D26/107  
D776,336 S \* 1/2017 Ng ..... D26/107  
D855,871 S \* 8/2019 Ma ..... D26/107

(71) Applicant: **Shenzhen Highstar Electrical Co., Ltd.**, Shenzhen, Guangdong (CN)

\* cited by examiner

(72) Inventor: **Guoming Tong**, Guangdong (CN)

*Primary Examiner* — Brian N. Vinson

(73) Assignee: **Shenzhen Highstar Electrical Co., Ltd.**, Shenzhen (CN)

(\*\*) Term: **15 Years**

(57) **CLAIM**

(21) Appl. No.: **29/656,504**

The ornamental design for a desk lamp, as shown and described.

(22) Filed: **Jul. 12, 2018**

(30) **Foreign Application Priority Data**

Jan. 22, 2018 (CN) ..... 2018 3 0028355

(51) **LOC (12) Cl.** ..... **26-03**

(52) **U.S. Cl.**  
USPC ..... **D26/107; D26/63**

(58) **Field of Classification Search**  
USPC ..... D26/24, 51, 62, 63, 65, 93, 106, 107  
CPC ..... F21Y 2101/02; F21S 6/003; F21V 21/26;  
F21V 21/30; G02B 27/025  
See application file for complete search history.

**DESCRIPTION**

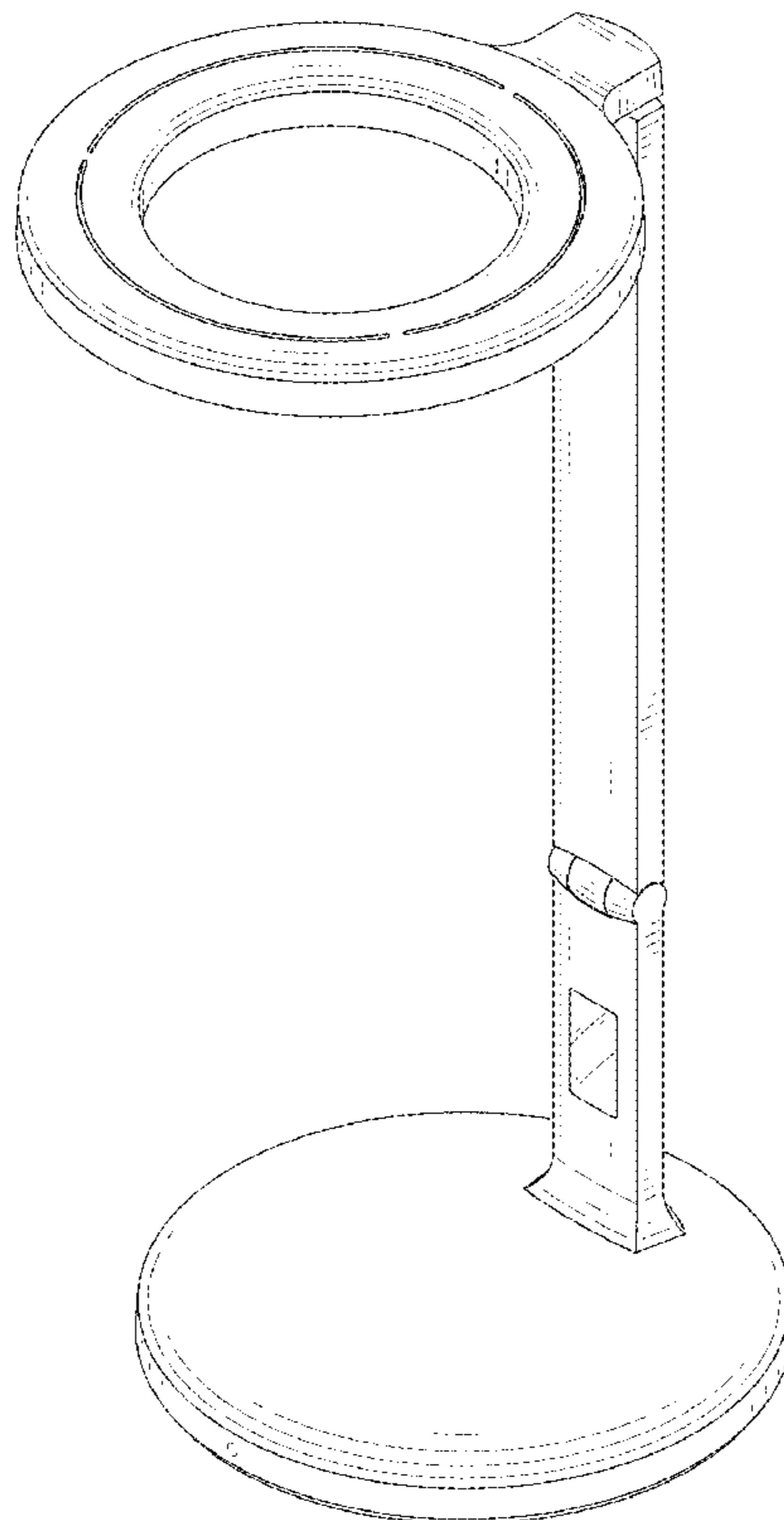
FIG. 1 is a top, front and right side perspective view of a desk lamp showing my new design;  
FIG. 2 is a bottom, rear and left side perspective view thereof;  
FIG. 3 is a front elevational view thereof;  
FIG. 4 is a rear elevational view thereof;  
FIG. 5 is a left side view thereof;  
FIG. 6 is a right side view thereof;  
FIG. 7 is a top plan view thereof; and,  
FIG. 8 is a bottom plan view thereof.  
The broken lines in the drawings illustrate portions of the desk lamp which form no part of the claimed design.

(56) **References Cited**

**U.S. PATENT DOCUMENTS**

6,322,226 B1 \* 11/2001 Dickson ..... G02B 27/025  
359/802  
D513,088 S \* 12/2005 Baarman ..... D26/106

**1 Claim, 8 Drawing Sheets**



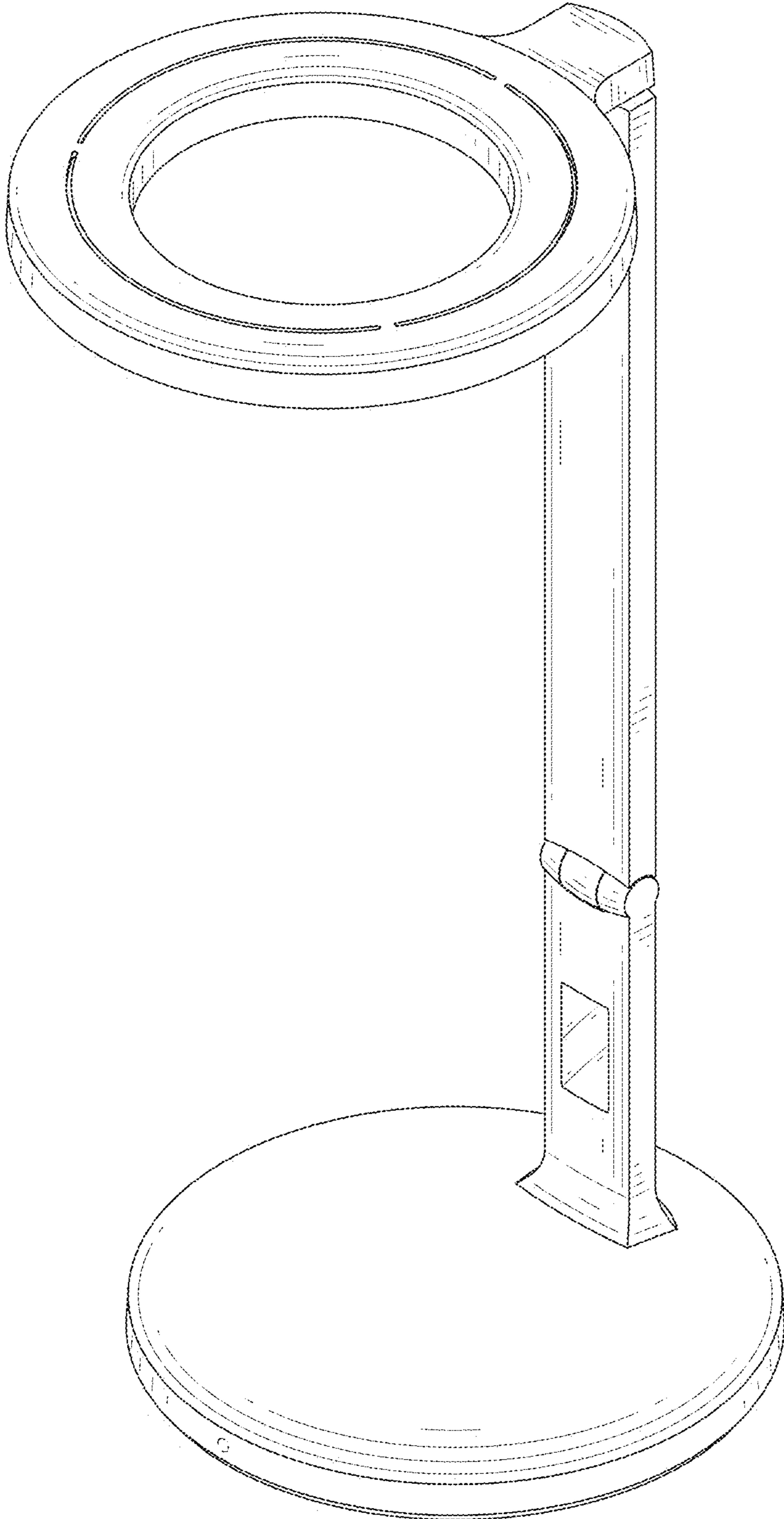


FIG. 1

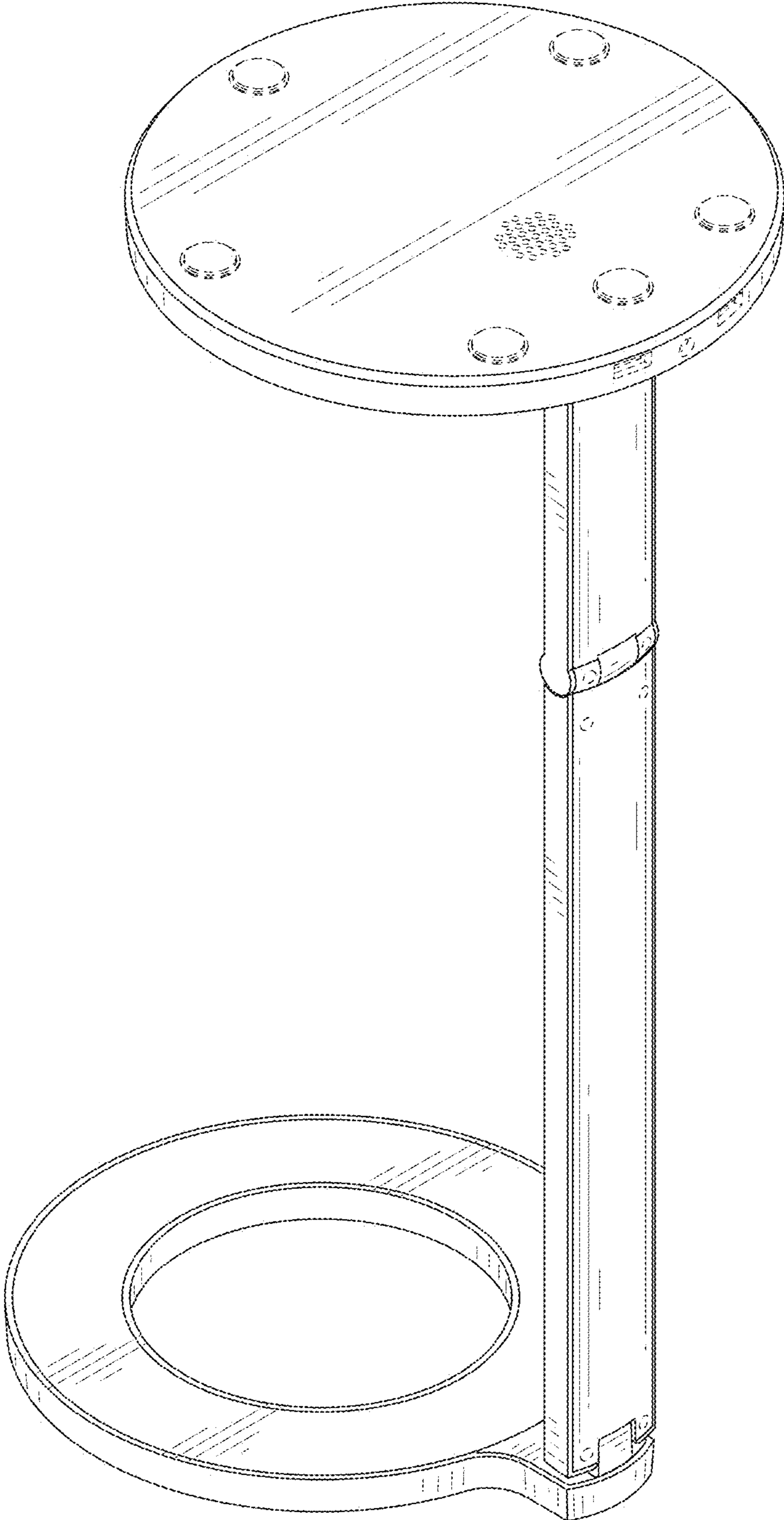


FIG. 2

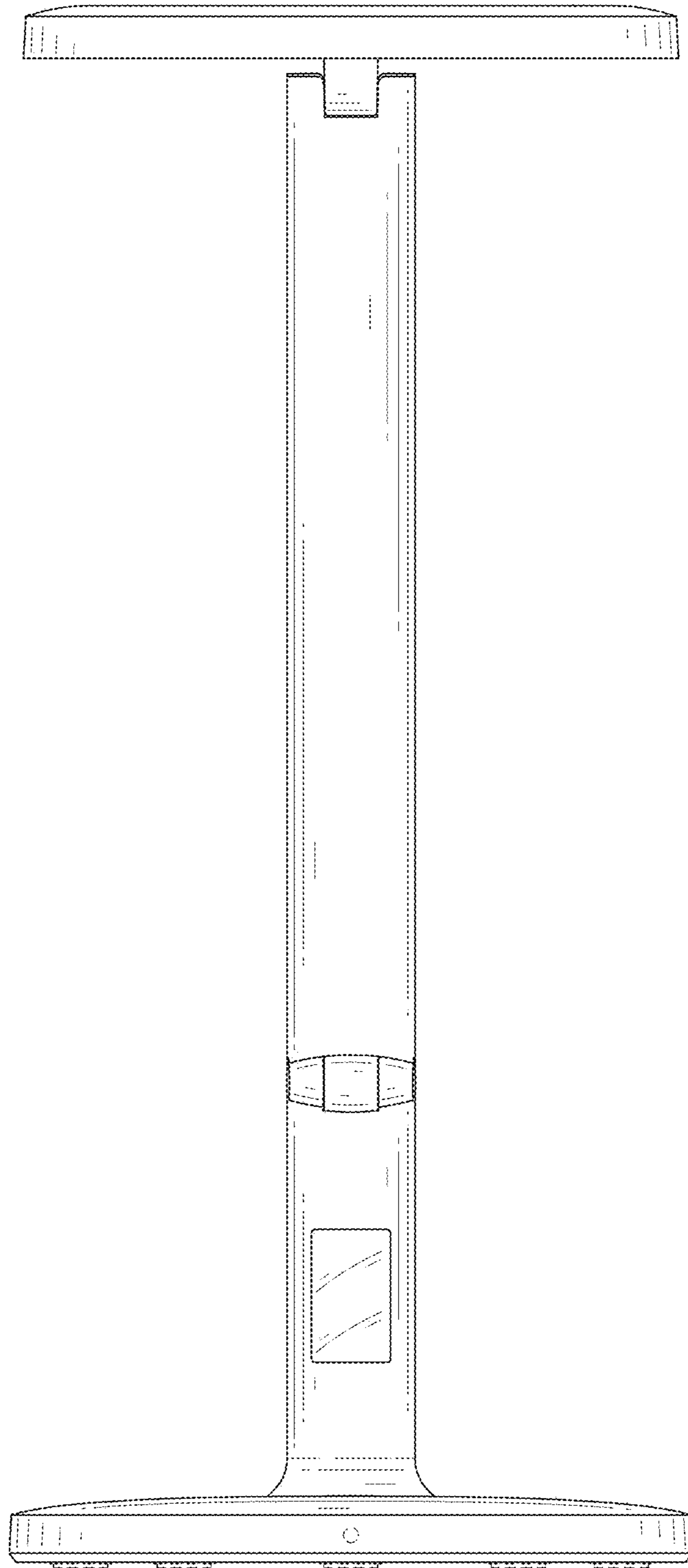


FIG. 3

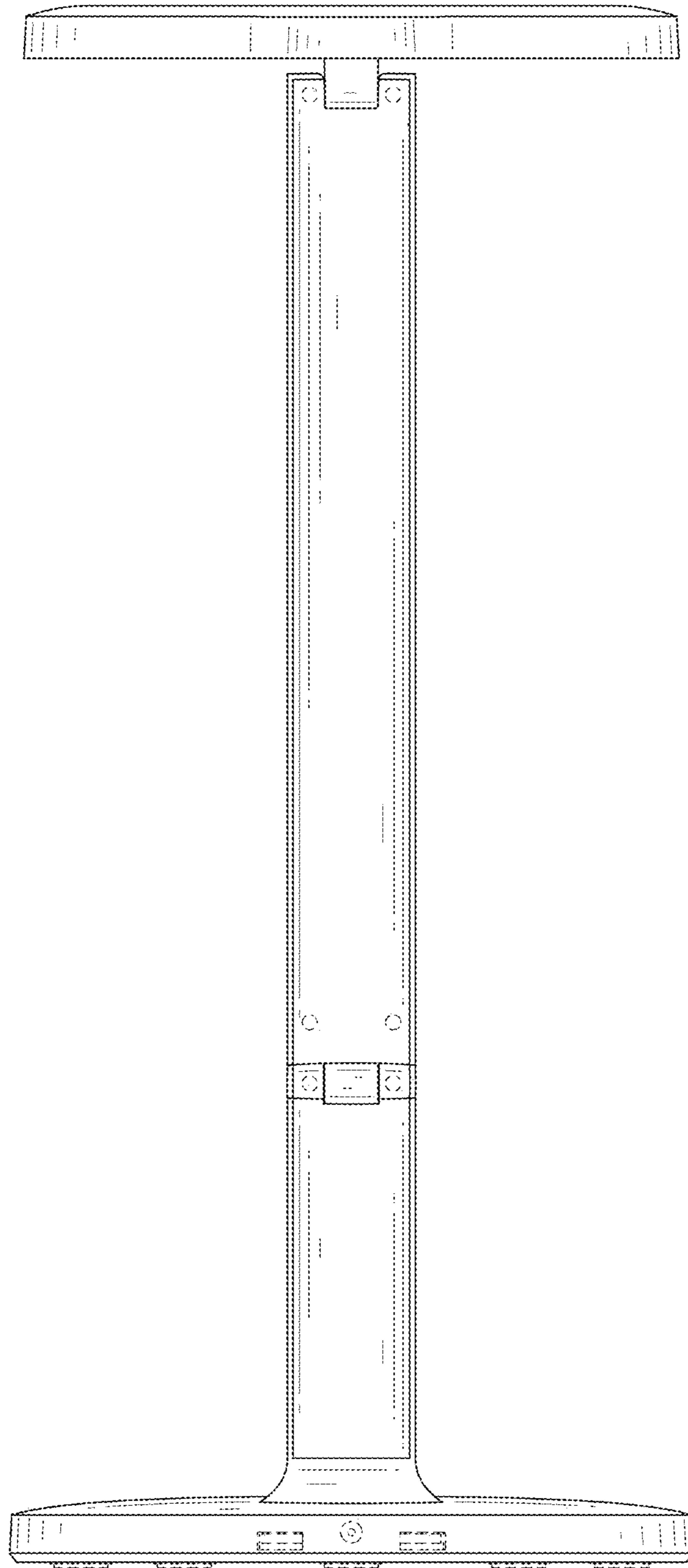


FIG. 4

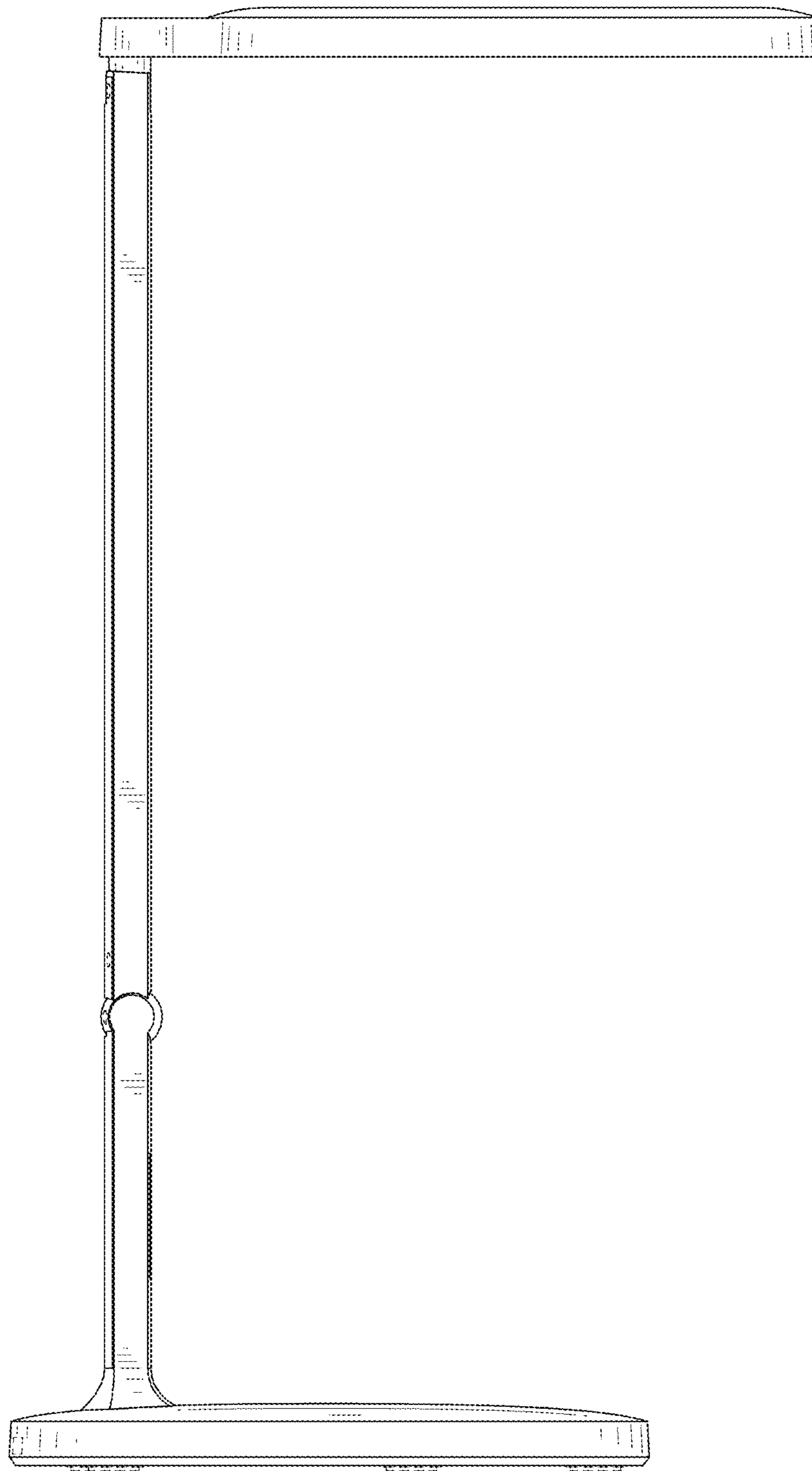


FIG. 5

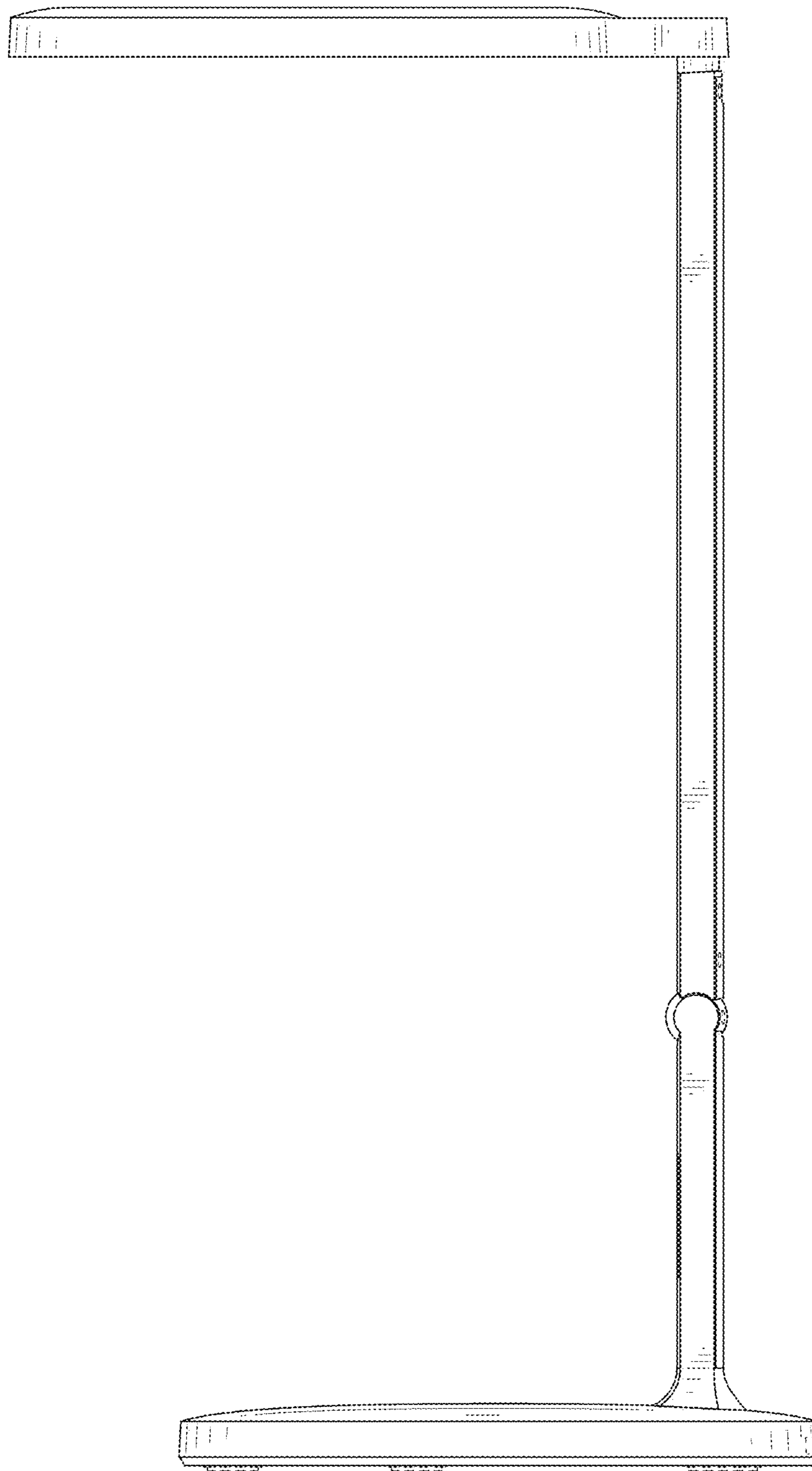


FIG. 6



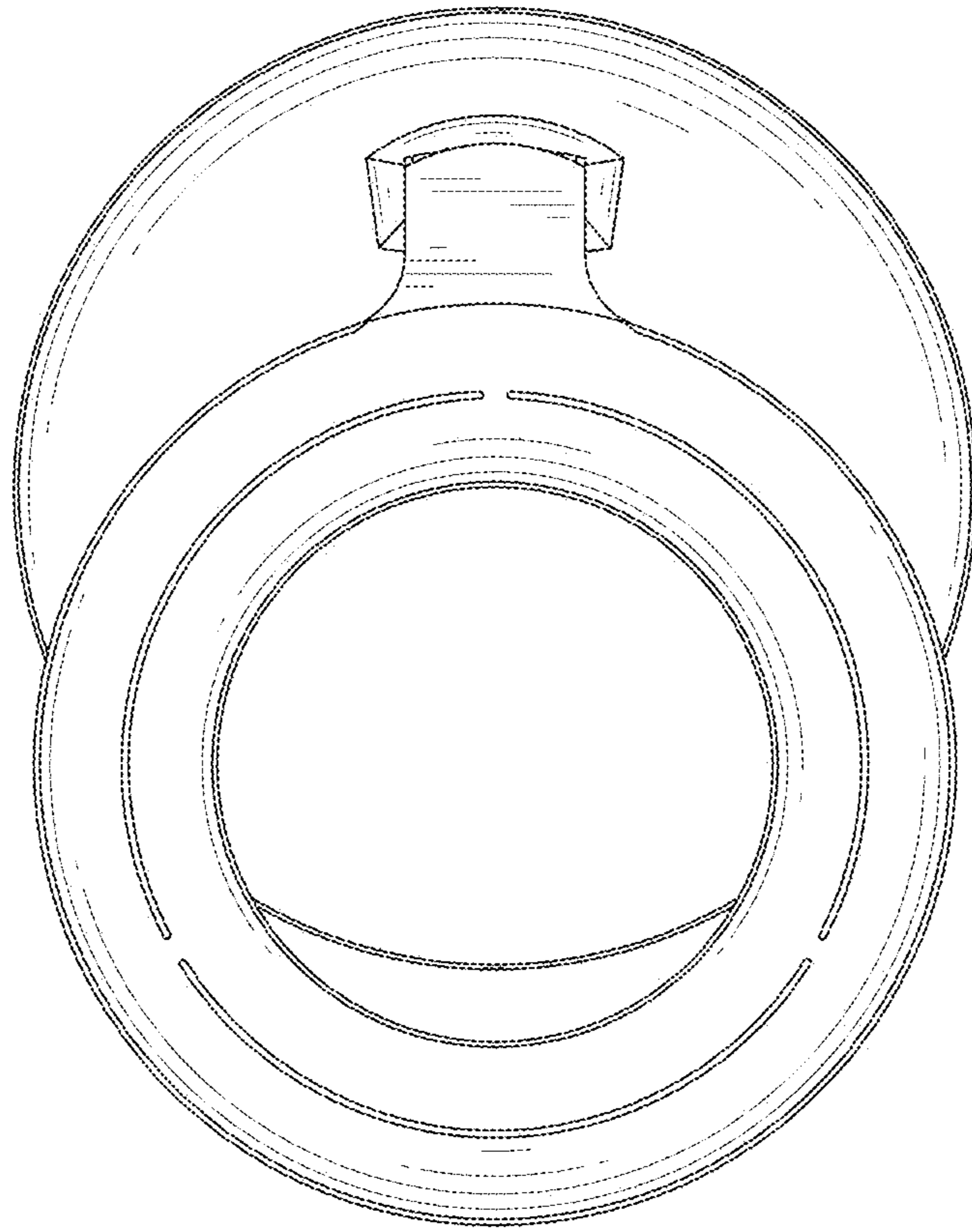


FIG. 7



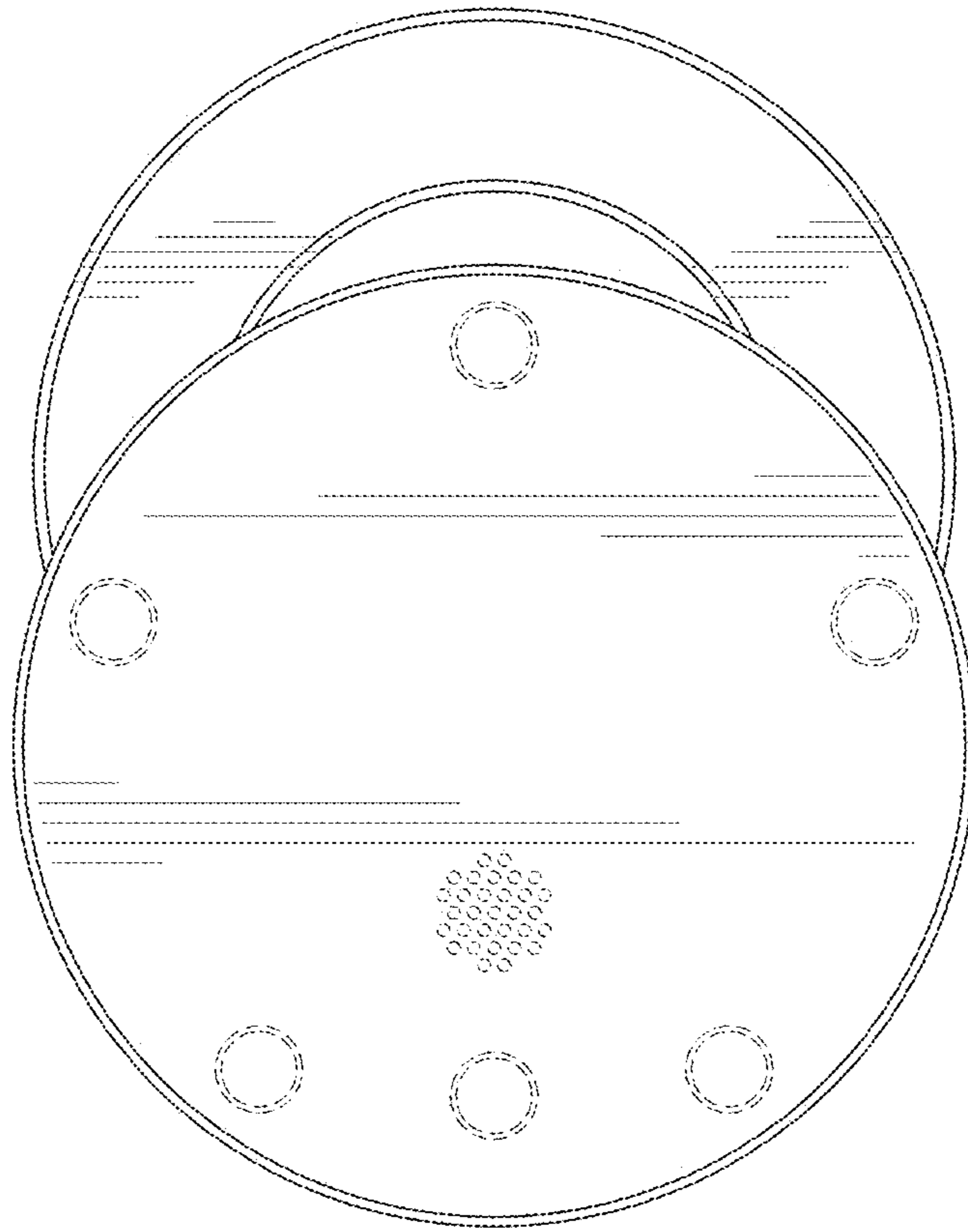


FIG. 8