



US00D871646S

(12) **United States Design Patent**
Gratton

(10) **Patent No.:** **US D871,646 S**

(45) **Date of Patent:** **** *Dec. 31, 2019**

(54) **LIGHT FIXTURE**

(71) Applicant: **SWAROVSKI LIGHTING, LTD.**,
Plattsburgh, NY (US)

(72) Inventor: **Meredith Gratton**, Plattsburg, NY (US)

(73) Assignee: **SWAROVSKI LIGHTING, LTD.**,
Plattsburgh, NY (US)

(*) Notice: This patent is subject to a terminal disclaimer.

(**) Term: **15 Years**

(21) Appl. No.: **29/693,997**

(22) Filed: **Jun. 6, 2019**

Related U.S. Application Data

(60) Division of application No. 35/001,477, filed on Jan. 4, 2018 (U.S. filing date under 35 U.S.C. 384), and having an international filing date of Jan. 4, 2018, which is a continuation of application No. 35/001,473, filed on Dec. 18, 2017 (U.S. filing date under 35 U.S.C. 384), and having an international filing date of Dec. 18, 2017.

(51) **LOC (12) Cl.** **26-05**

(52) **U.S. Cl.**
USPC **D26/86**

(58) **Field of Classification Search**
USPC D26/51, 72, 80, 81, 85, 86, 88, 89, 91,
D26/93, 103, 104, 110, 112, 118
CPC F21S 6/00; F21S 6/002; F21S 6/004; F21S
8/04
See application file for complete search history.

(56) **References Cited**

U.S. PATENT DOCUMENTS

D78,956 S * 7/1929 Zweig D26/86
3,244,873 A * 4/1966 Leutheuser F21V 21/38
362/258

3,790,772 A * 2/1974 Newman 40/444
D252,531 S * 7/1979 Glassman D26/80
D280,850 S * 10/1985 Merino D26/102
D328,956 S * 8/1992 Leonard F21V 21/38
D11/131
D389,267 S * 1/1998 Sutton D11/131
D442,712 S * 5/2001 Boyer D26/102
D481,484 S * 10/2003 Cuevas D26/84
D523,579 S * 6/2006 Schuyler D26/142
D523,988 S * 6/2006 Schuyler D26/142

(Continued)

OTHER PUBLICATIONS

Conroe Oil Rubbed Bronze Metal Cube 18: Wide Pendant Light. Earliest date Sep. 14, 2017; 5 pages. Found online Sep. 16, 2019 at: https://www.lampsplus.com/products/conroe-oil-rubbed-bronze-metal-cube-18-inch-wide-pendant-light_8d567.html.*

(Continued)

Primary Examiner — Robert M. Spear
(74) *Attorney, Agent, or Firm* — Heslin Rothenberg Farley & Mesiti P.C.

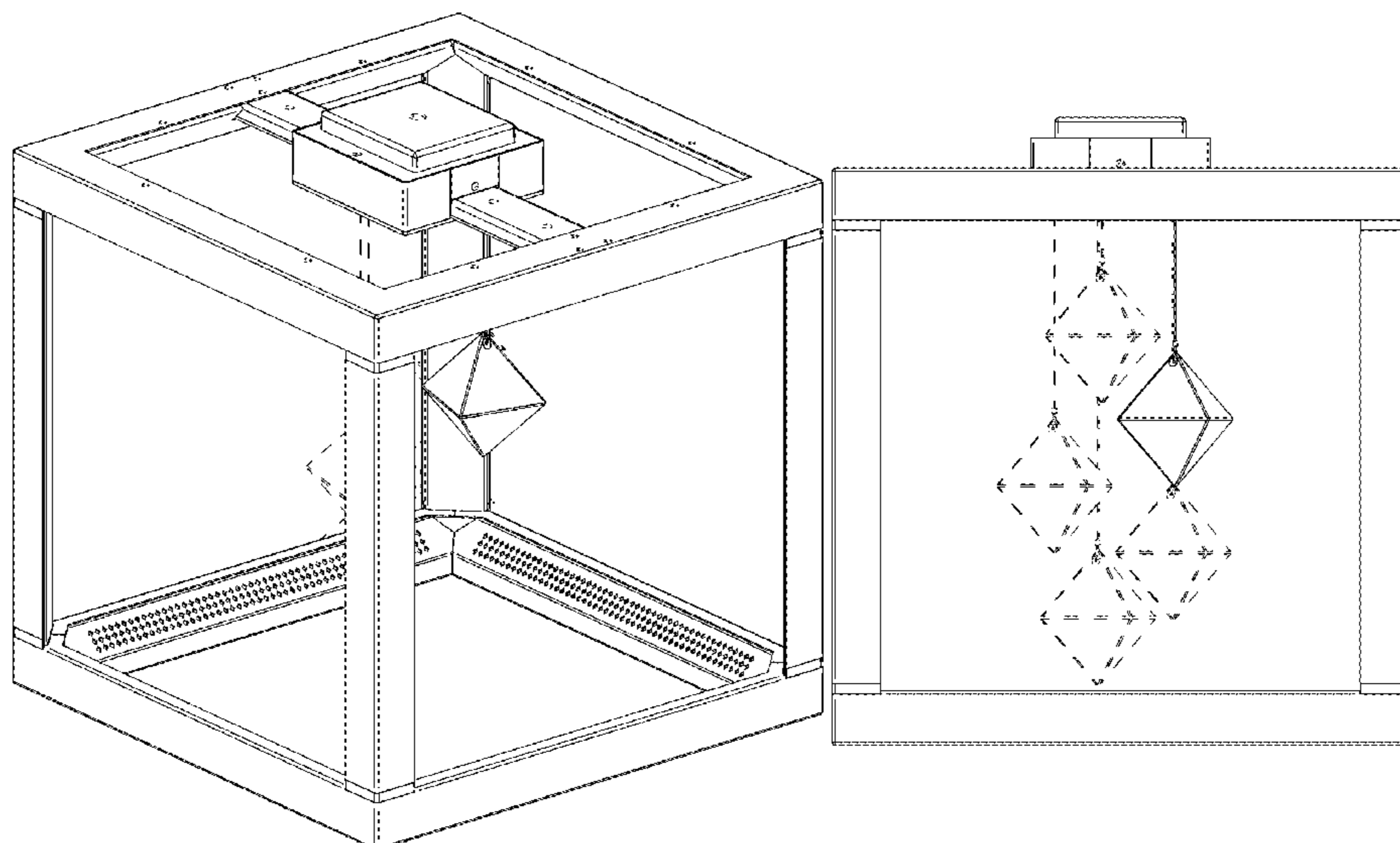
(57) **CLAIM**

The ornamental design for a light fixture, as shown and described.

DESCRIPTION

FIG. 1 is a perspective view of a light fixture according to the new design;
FIG. 2 is a front elevational view thereof;
FIG. 3 is a rear elevational view thereof;
FIG. 4 is a top view thereof;
FIG. 5 is a bottom view thereof;
FIG. 6 is a left side elevational view thereof; and,
FIG. 7 is a right side elevational view thereof.
The broken lines in the drawings illustrate portions of the light fixture which form no part of the claimed design.

1 Claim, 7 Drawing Sheets



(56)

References Cited

U.S. PATENT DOCUMENTS

D596,331 S * 7/2009 Sabernig D26/84
D619,296 S * 7/2010 Thevenot D26/118
D669,205 S * 10/2012 Sonneman D26/83
D700,993 S 3/2014 Schuyler
D731,104 S * 6/2015 Miyake D26/88
D760,420 S * 6/2016 Tomlinson D26/81
D771,302 S * 11/2016 Ross D26/118
D816,894 S * 5/2018 Amato D26/144
D825,816 S * 8/2018 Sonneman D26/88
D837,435 S * 1/2019 Richardson D26/82

OTHER PUBLICATIONS

This Copper Cube Pendant Light Creates Geometric Shadows.
Dated Jun. 21, 2017. Found online Sep. 16, 2019 at <https://www.contemporist.com/copper-cube-pendant-light/>.*

New Fyra LED Pendant Light. © 2019. 3 pages. Found online Sep. 16, 2019 at <https://www.ylighting.com/fyra-led-pendant-light-by-swarovski-SWVP268235.html>.*

Screenshot from <https://www.youtube.com/watch?v=GBtlCbmqPP0>, dated Feb. 22, 2018. One page.*

Various Lighting Fixtures, 2017 Better Homes and Gardens Interest Publication Lighting magazine, pp. 10, 18, 79, 88, and 115, 8 pages, at least as early as Jul. 10, 2017.

2107 Better Homes and Gardens Interest Publication Lighting magazine, 133 pages, at least as early as Jul. 10, 2017.

Yando et al., pending Design U.S. Appl. No. 29/691,661, filed May 17, 2019, "Light Fixture" and Preliminary Amendment filed May 22, 2019.

* cited by examiner

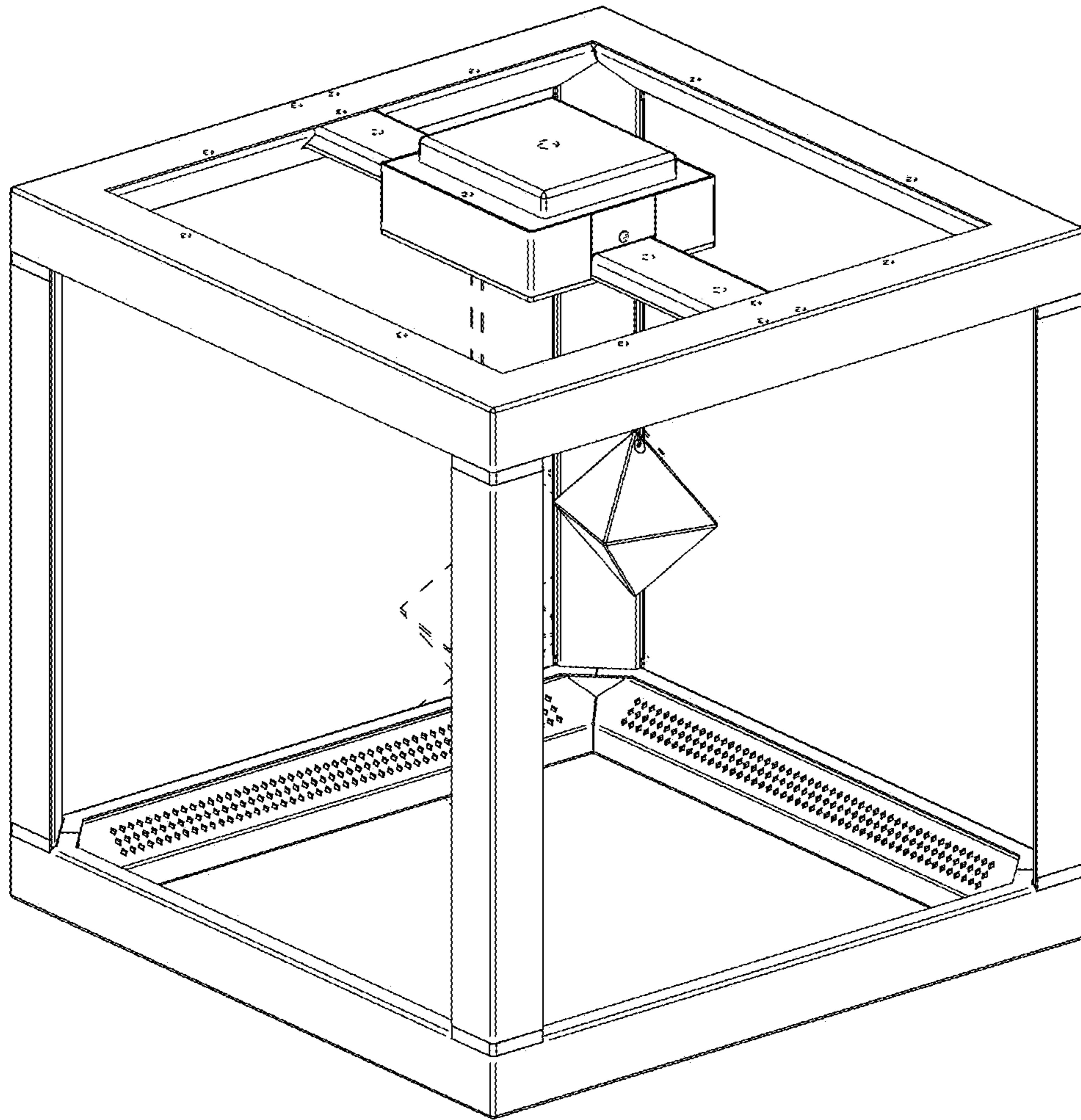


FIG. 1

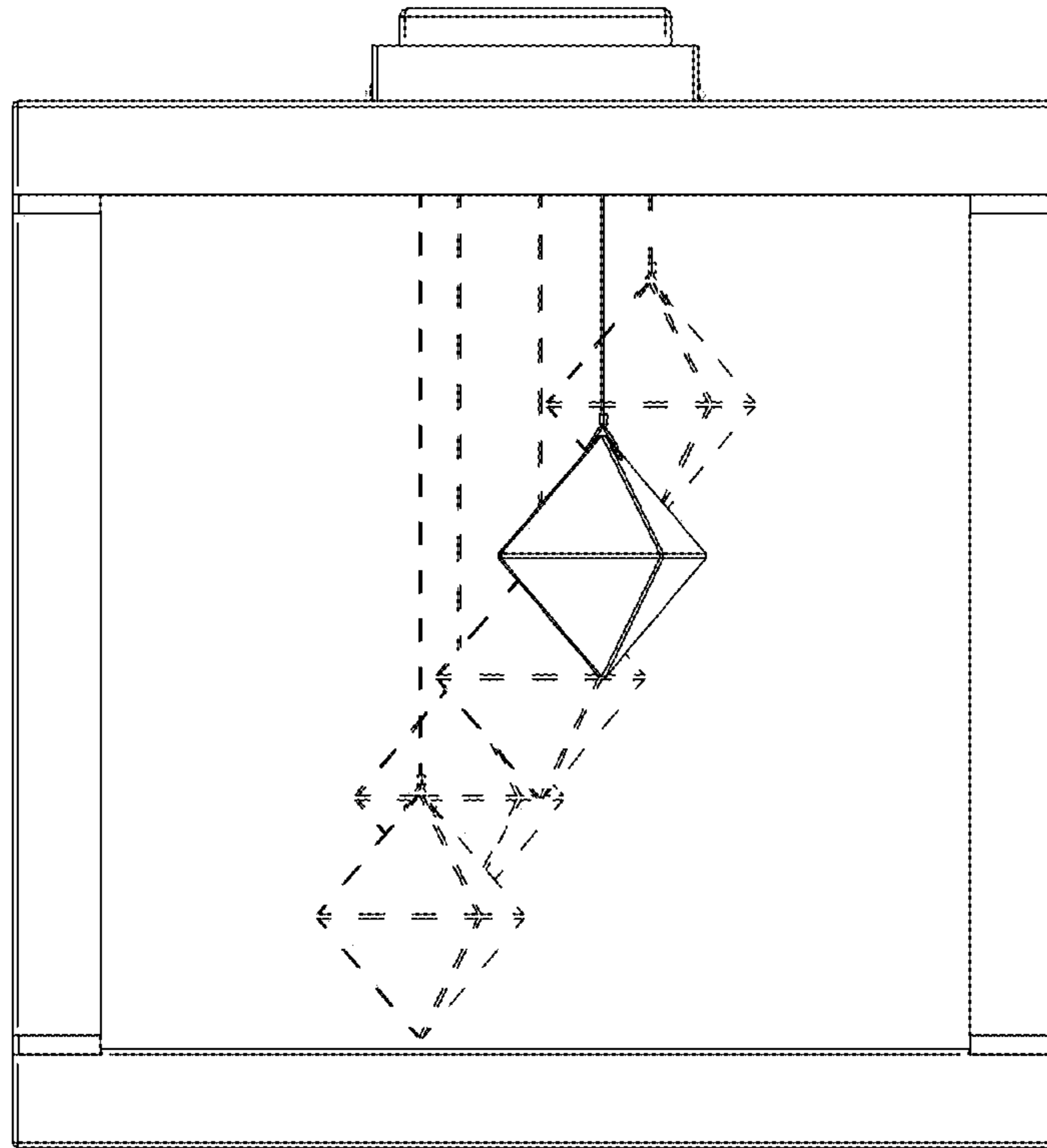


FIG. 2

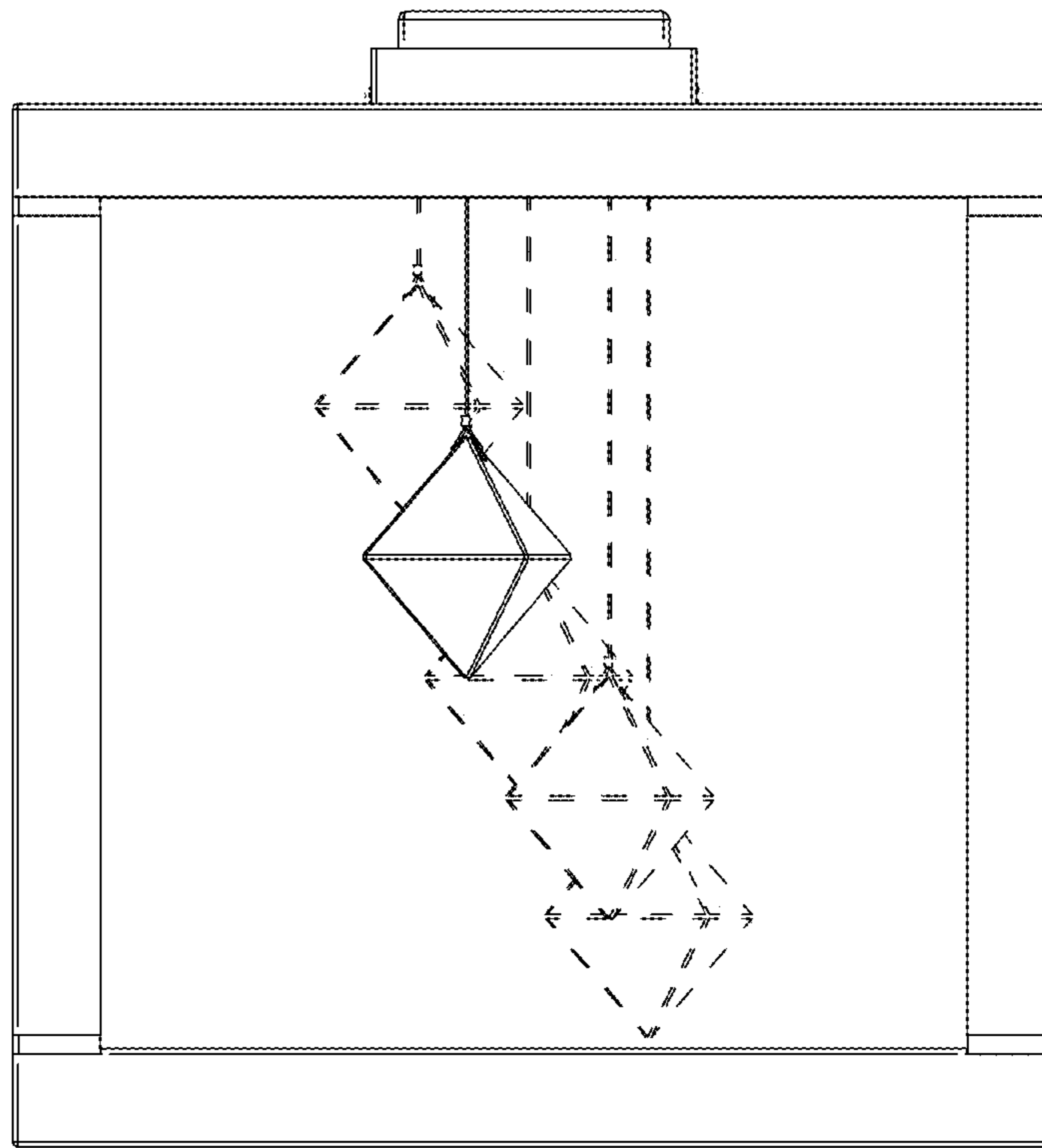


FIG. 3

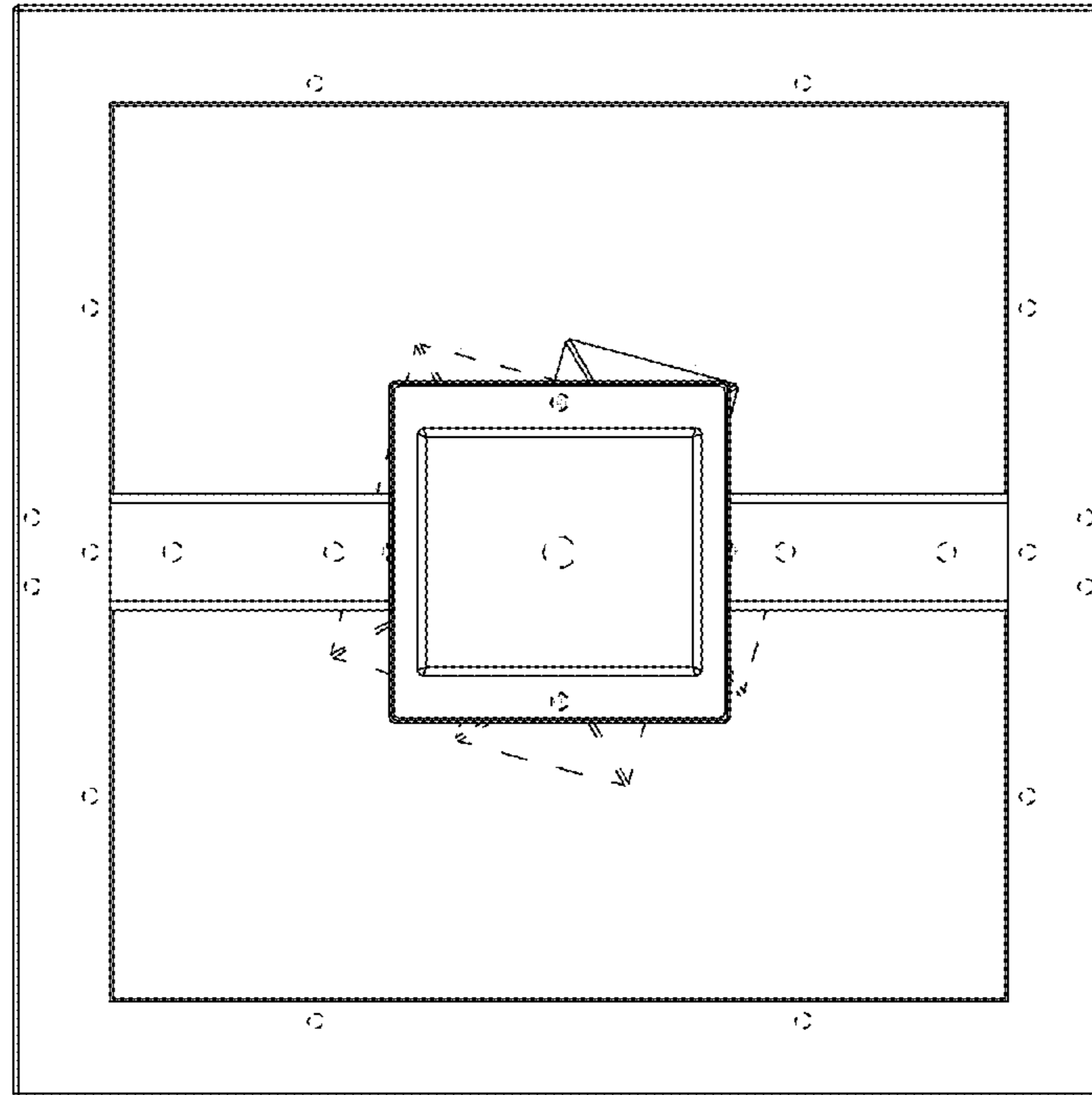


FIG. 4

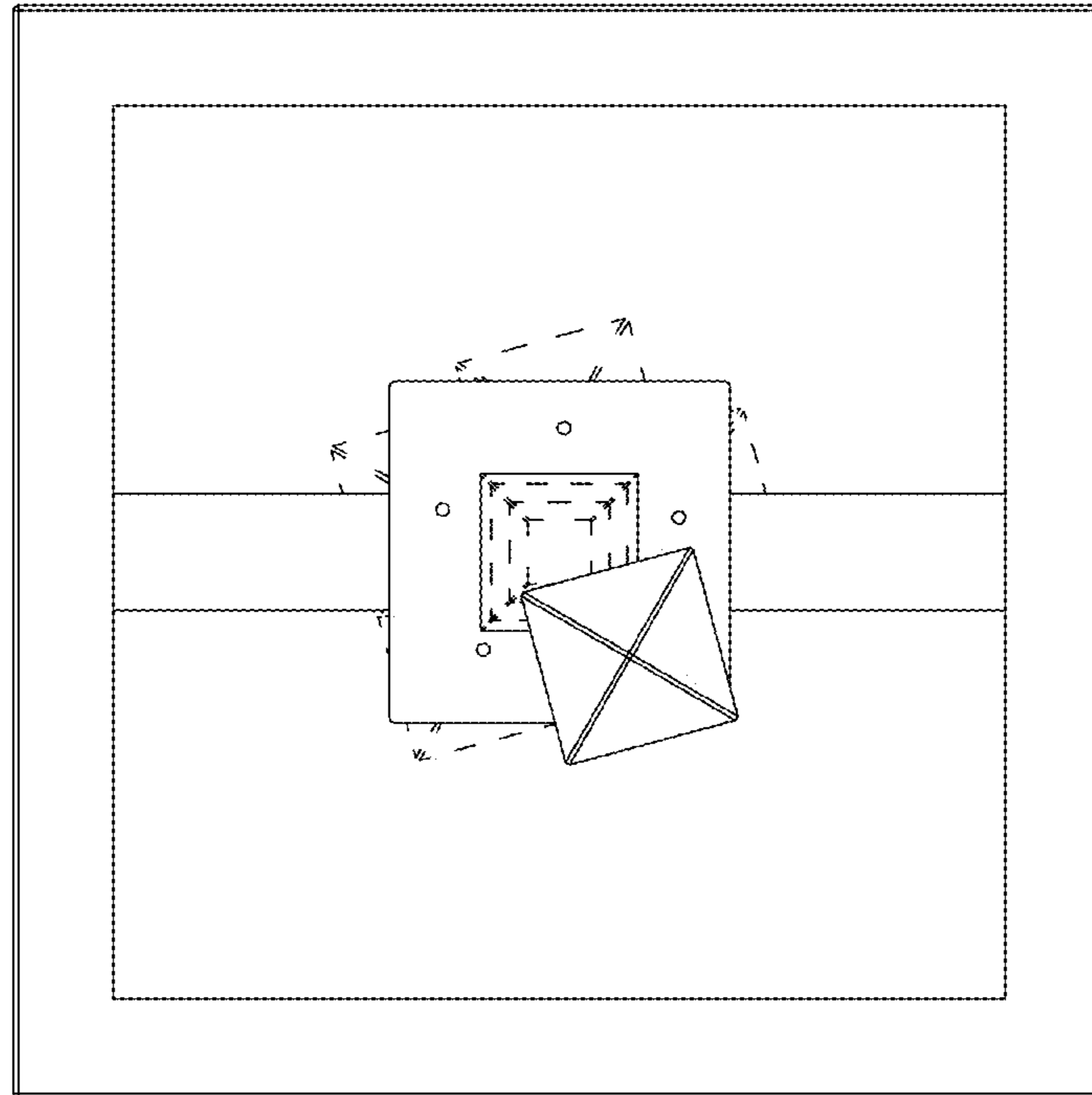


FIG. 5

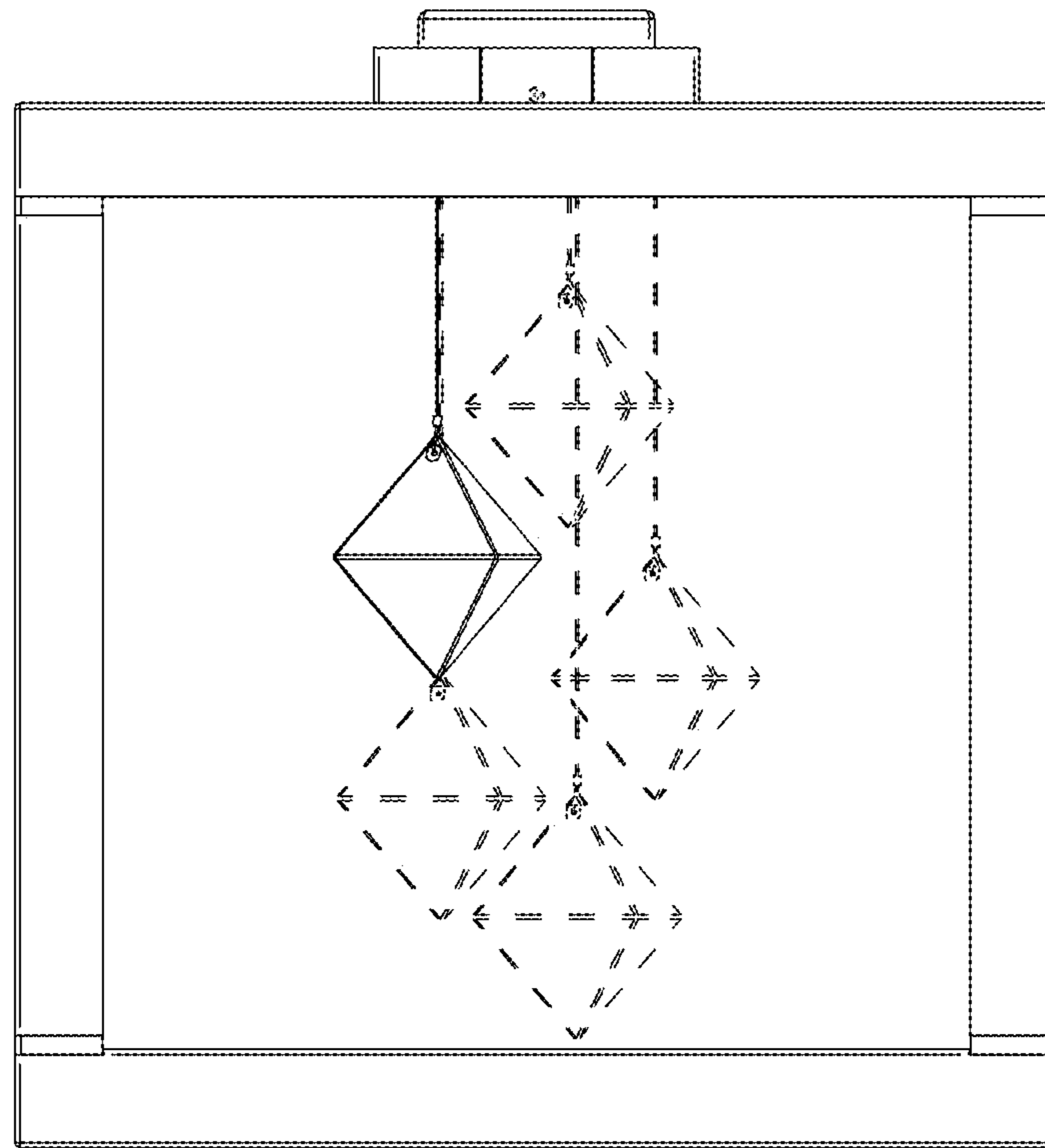


FIG. 6

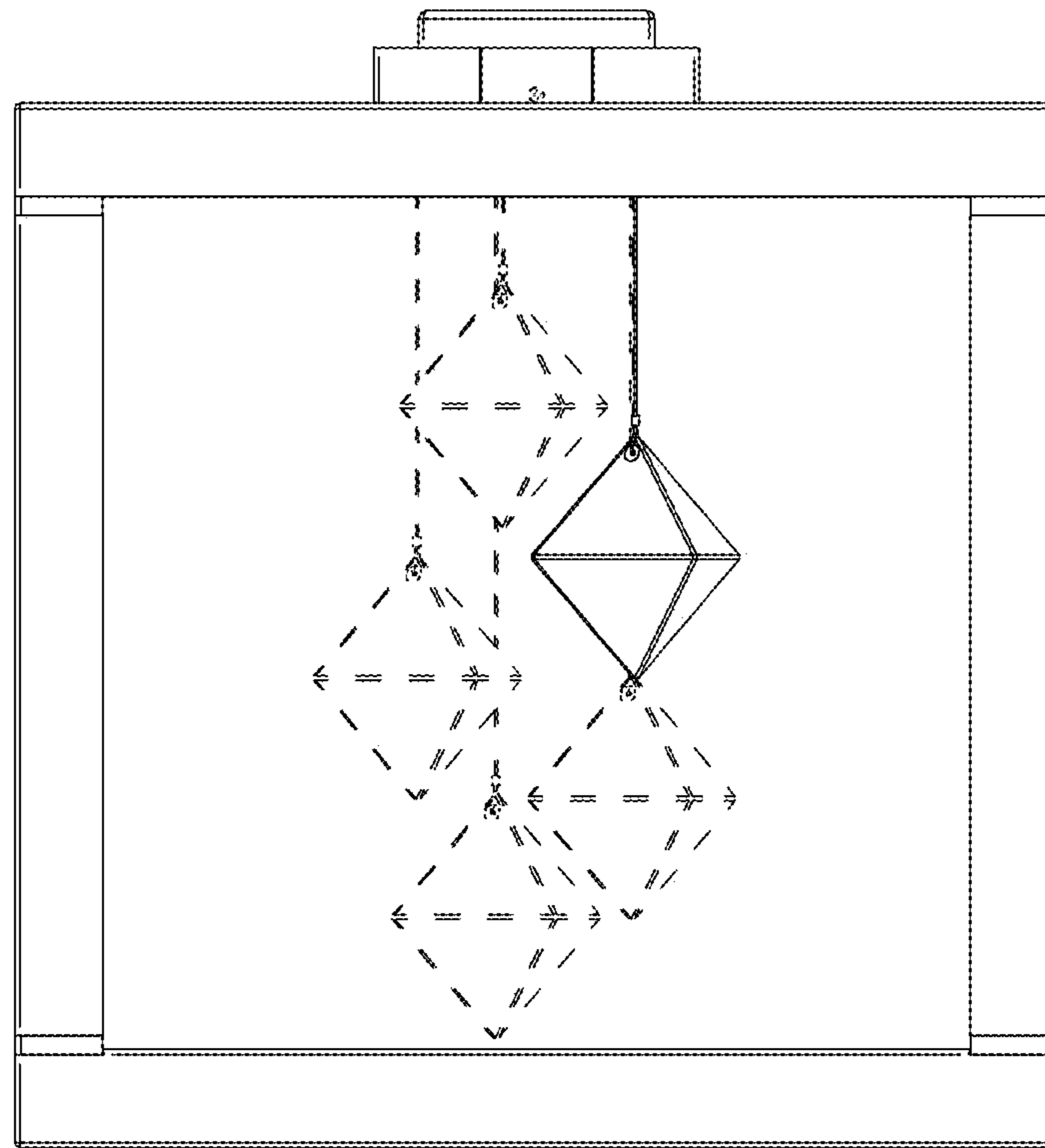


FIG. 7