



US00D871644S

(12) **United States Design Patent**  
**Farzan**

(10) **Patent No.:** **US D871,644 S**

(45) **Date of Patent:** **\*\* Dec. 31, 2019**

(54) **RECESSED LIGHTING FIXTURE WITH  
DETACHABLE TRIM**

(71) Applicant: **NORA LIGHTING, INC.**, Commerce,  
CA (US)

(72) Inventor: **Fred Farzan**, Beverly Hills, CA (US)

(73) Assignee: **Nora Lighting, Inc.**, Commerce, CA  
(US)

(\*\*) Term: **15 Years**

(21) Appl. No.: **29/632,645**

(22) Filed: **Jan. 9, 2018**

(51) **LOC (12) Cl.** ..... **26-05**

(52) **U.S. Cl.**  
USPC ..... **D26/74**

(58) **Field of Classification Search**  
USPC ..... D26/74, 72, 75, 76, 77, 78, 85, 88, 89,  
D26/118, 138, 141; 362/364, 365, 373,  
(Continued)

(56) **References Cited**

**U.S. PATENT DOCUMENTS**

D383,564 S 9/1997 Lecluze  
D544,128 S 6/2007 Carro  
(Continued)

**FOREIGN PATENT DOCUMENTS**

JP D1544296 2/2016  
JP D1549105 5/2016  
(Continued)

**OTHER PUBLICATIONS**

Taiwan Office Action for Patent Appl. No. 105304402 dated March  
2, 2017—3 pages.

(Continued)

*Primary Examiner* — Angela J Lee

(74) *Attorney, Agent, or Firm* — K&L Gates LLP

(57) **CLAIM**

The ornamental design for a recessed lighting fixture with  
detachable trim, as shown and described herein.

**DESCRIPTION**

FIG. 1 illustrates a perspective view of a recessed lighting  
fixture with detachable trim, according to a first embodi-  
ment.

FIG. 2 illustrates a top-plan view of the recessed lighting  
fixture, according to the first embodiment.

FIG. 3 illustrates a bottom-up view of the recessed lighting  
fixture, according to the first embodiment.

FIG. 4 illustrates a side view of the recessed lighting fixture,  
according to the first embodiment.

FIG. 5 illustrates a front view of the recessed lighting fixture,  
according to the first embodiment.

FIG. 6 illustrates a perspective view of a recessed lighting  
fixture with detachable trim, according to a second embodi-  
ment.

FIG. 7 illustrates a top-plan view of the recessed lighting  
fixture, according to the second embodiment.

FIG. 8 illustrates a bottom-up view of the recessed lighting  
fixture, according to the second embodiment.

FIG. 9 illustrates a side view of the recessed lighting fixture,  
according to the second embodiment.

FIG. 10 illustrates a front view of the recessed lighting  
fixture, according to the fourth second embodiment.

FIG. 11 illustrates a side-perspective view of a recessed  
lighting fixture with trim detached, according to a third  
embodiment.

FIG. 12 illustrates a bottom-perspective view of the recessed  
lighting fixture, according to the third embodiment.

FIG. 13 illustrates a top-plan view of the recessed lighting  
fixture, according to the third embodiment.

FIG. 14 illustrates a bottom-up view of the recessed lighting  
fixture, according to the third embodiment.

FIG. 15 illustrates a front view of the recessed lighting  
fixture, according to the third embodiment.

FIG. 16 illustrates a side view of the recessed lighting  
fixture, according to the third embodiment.

(Continued)

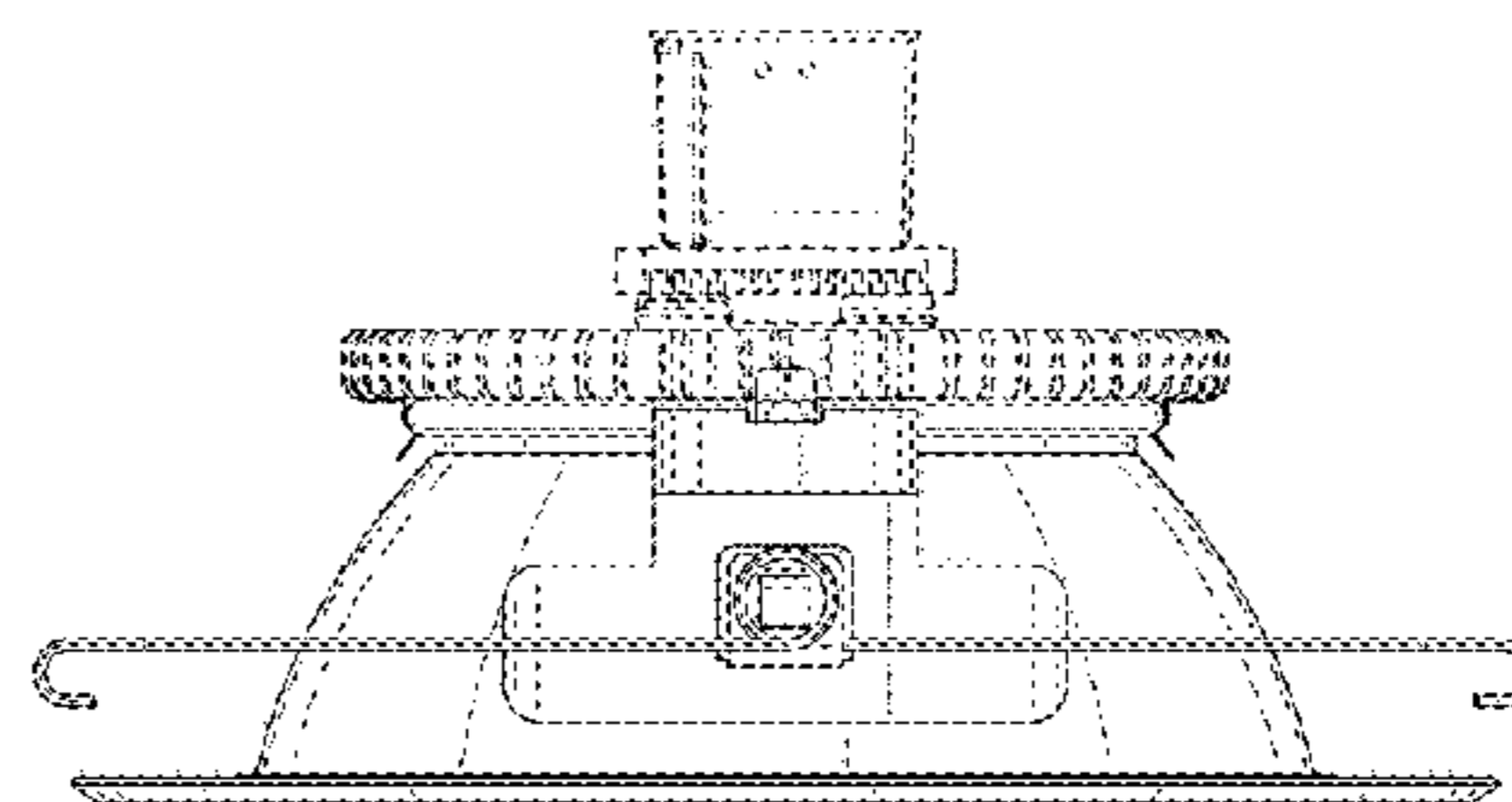
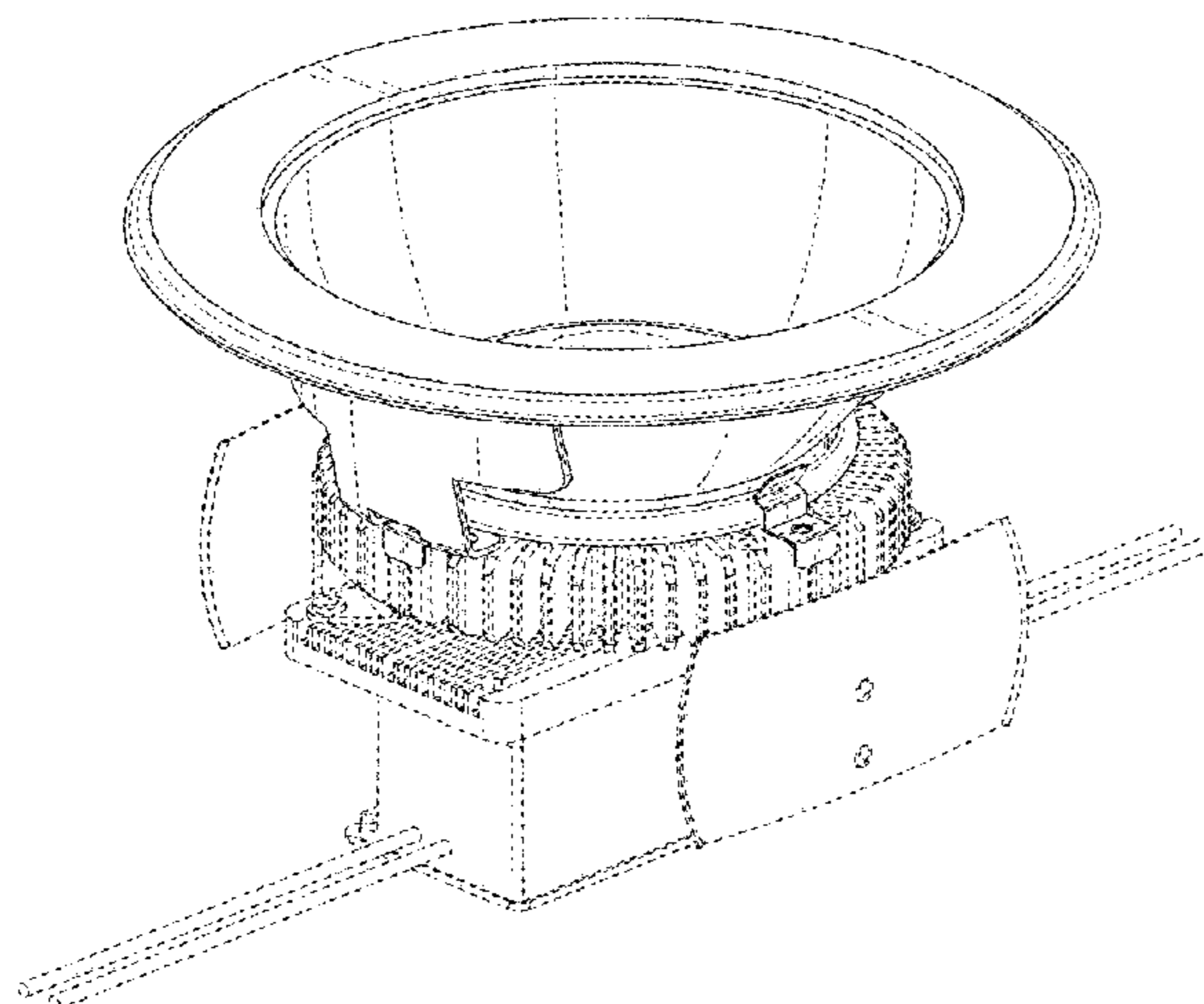


FIG. 17 illustrates a bottom-perspective view of a recessed lighting fixture with trim detached, according to a fourth embodiment.

FIG. 18 illustrates a rotated front view of the recessed lighting fixture, according to the fourth embodiment.

FIG. 19 illustrates a top-plan view of the recessed lighting fixture, according to the fourth embodiment.

FIG. 20 illustrates a bottom-up view of the recessed lighting fixture, according to the fourth embodiment; and,

FIG. 21 illustrates a side view of the recessed lighting fixture, according to the fourth embodiment.

The broken lines in the drawings are for illustrative purposes only and form no part of the claimed design.

**1 Claim, 21 Drawing Sheets**

(58) **Field of Classification Search**

USPC .... 362/145, 146, 147, 148, 150, 153, 153.1,  
362/294, 296.01, 296, 296.08  
CPC ..... F21V 29/2262; F21V 7/06; F21V 21/044;  
F21V 21/047; F21V 29/2212; F21V  
29/2225; F21V 29/2256; F21V 29/225;  
F21V 29/2268; F21Y 2111/002; F21S  
8/02; F21S 8/026

See application file for complete search history.

(56) **References Cited**

U.S. PATENT DOCUMENTS

D596,330 S 7/2009 Pickard  
D622,434 S 8/2010 Ward  
D624,691 S 9/2010 Zhang  
D636,922 S 4/2011 Yoshida  
D640,819 S 6/2011 Pan  
D665,117 S 8/2012 Yoshida  
D681,861 S 5/2013 Soni  
D684,288 S 6/2013 Gielen

D684,290 S \* 6/2013 Goelz ..... D26/74  
D687,587 S 8/2013 Rashidi  
D691,314 S 10/2013 Rashidi  
D697,651 S 1/2014 Carpenter  
D698,069 S 1/2014 Messesaen  
D698,970 S 2/2014 Guzzini  
D708,381 S 7/2014 Rashidi  
D710,047 S 7/2014 Hildebrandt  
D714,989 S \* 10/2014 Rowlette, Jr. .... D26/74  
D722,192 S 2/2015 Boyer et al.  
D723,728 S 3/2015 Jeswani  
D726,949 S 4/2015 Redfern  
D741,533 S \* 10/2015 Yeh ..... D26/72  
D778,482 S \* 2/2017 Guzzini ..... D26/74  
D779,099 S \* 2/2017 Beck ..... D26/74  
D779,700 S \* 2/2017 Lee ..... D26/74  
D779,701 S \* 2/2017 Lazalier ..... D26/74  
D785,228 S 4/2017 Guzzini  
D786,472 S 5/2017 Christopher  
D816,256 S \* 4/2018 Benghozi ..... D26/74  
2012/0182744 A1 7/2012 Santiago et al.

FOREIGN PATENT DOCUMENTS

TW 182474 4/1992  
TW D109996 4/2006  
TW D122918 5/2008  
TW D143837 S1 11/2011  
TW D159387 3/2014  
TW D1788232 9/2016  
TW D190413 5/2018

OTHER PUBLICATIONS

Taiwan Office Action for Patent Appl. No. 105304402 dated Mar. 2, 2017—3 pages (English Translation).  
Chinese Office Action for Patent Appl. No. 201630360635.2 dated Nov. 2, 2016—1 page.  
Taiwan Office Action Application No. 10820239030 dated Mar. 18, 2019—1 page.  
Chinese Office Action Application No. 201830366021.4 dated Mar. 1, 2019—1 page.

\* cited by examiner

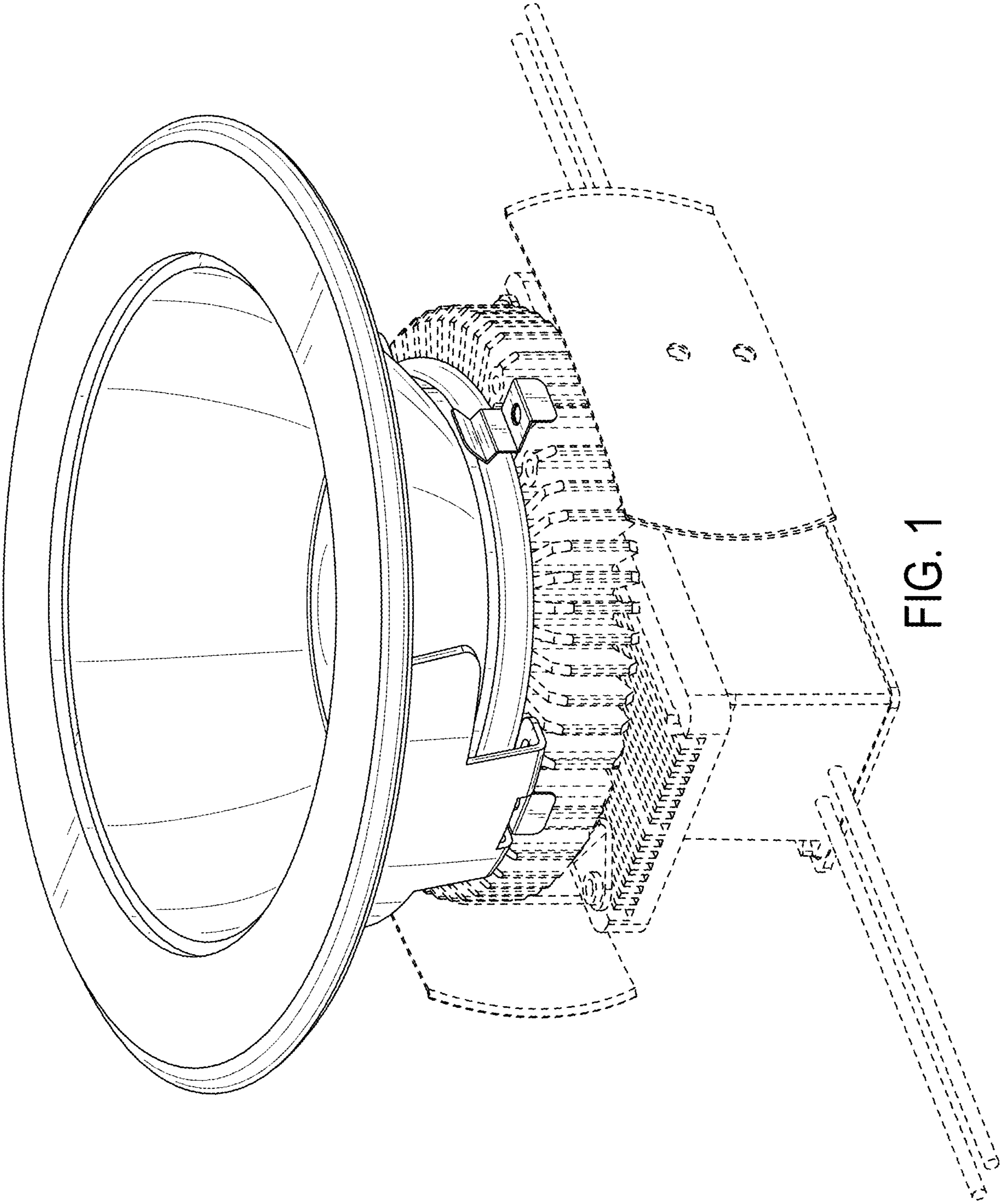


FIG. 1

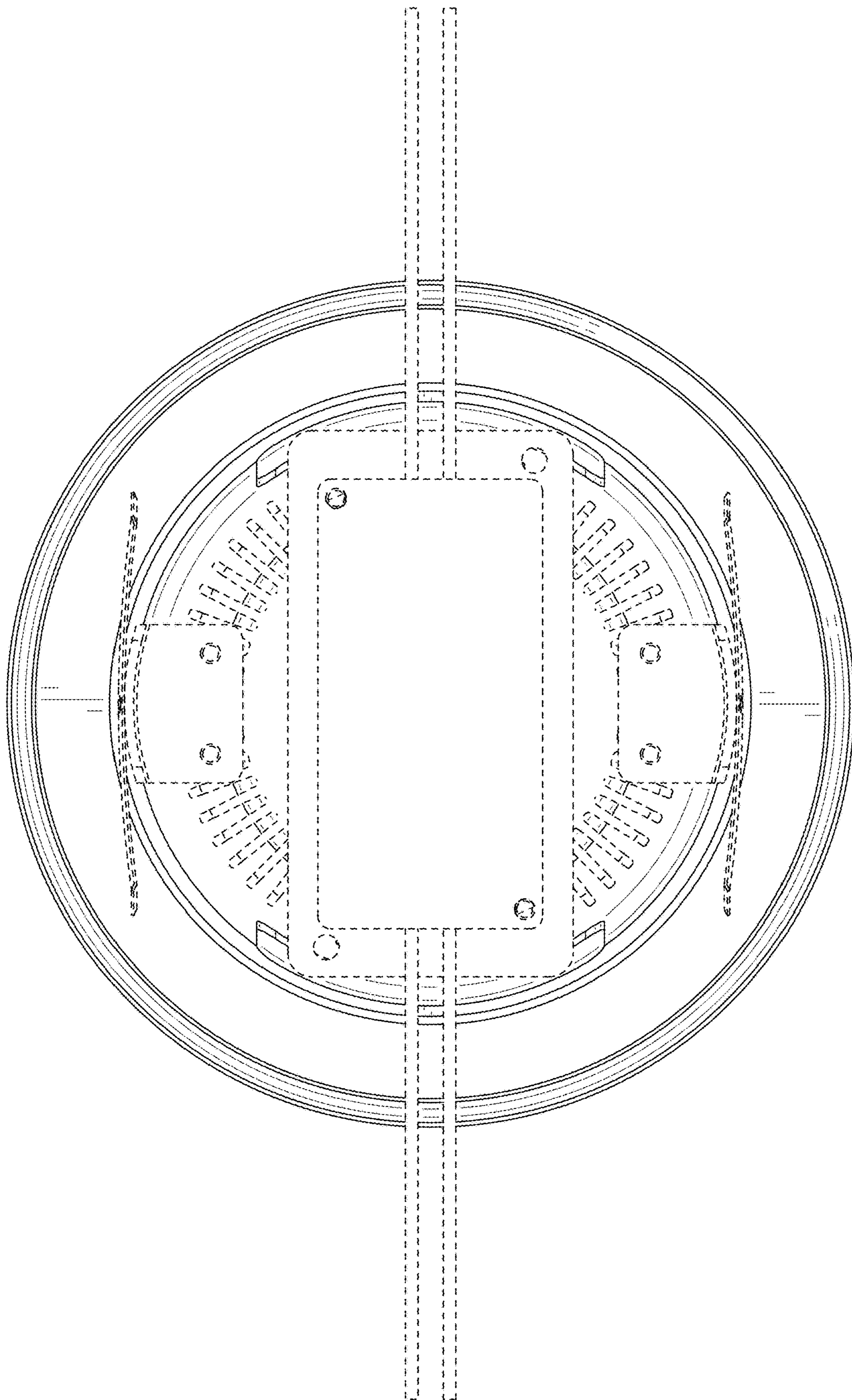


FIG. 2

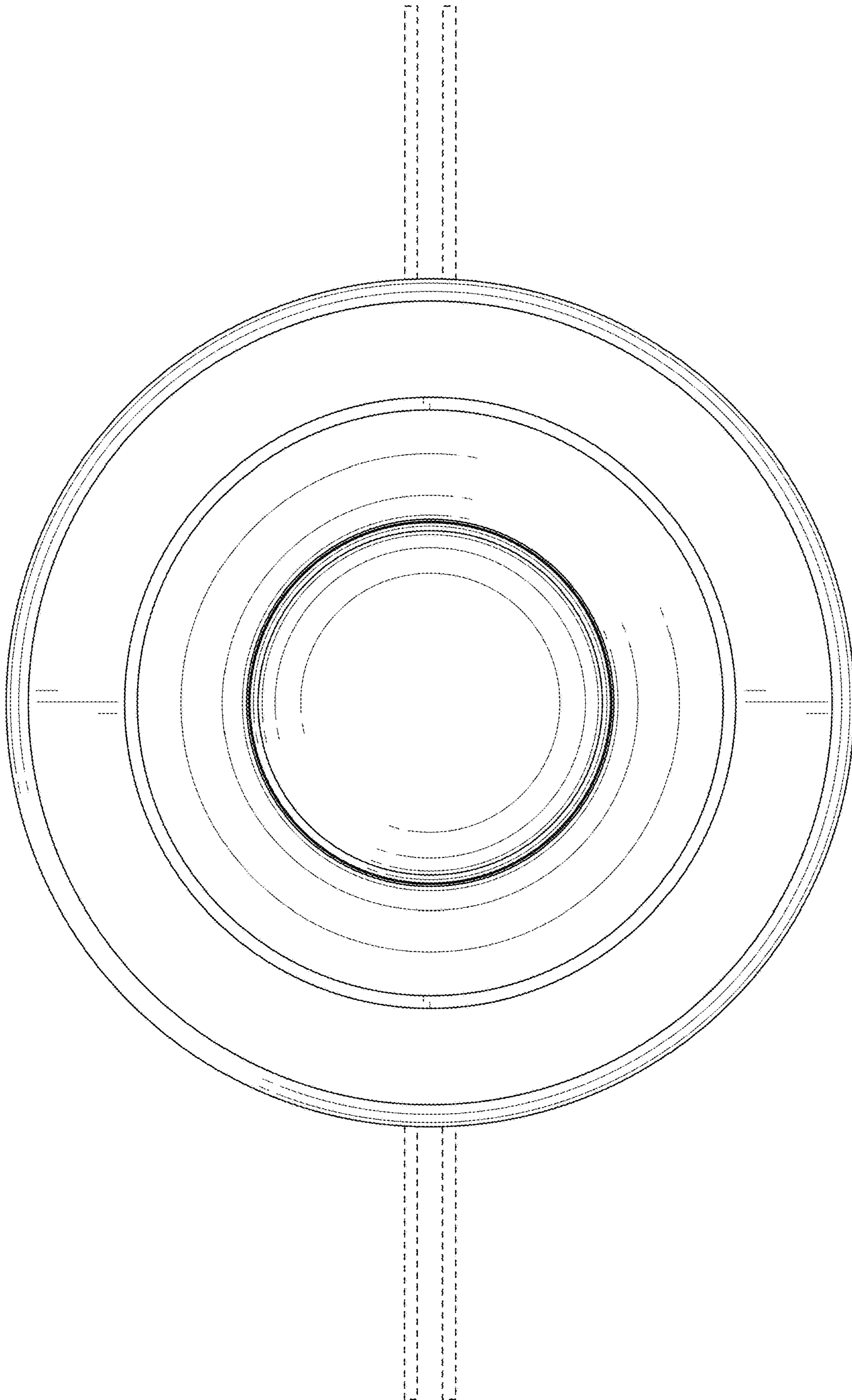


FIG. 3

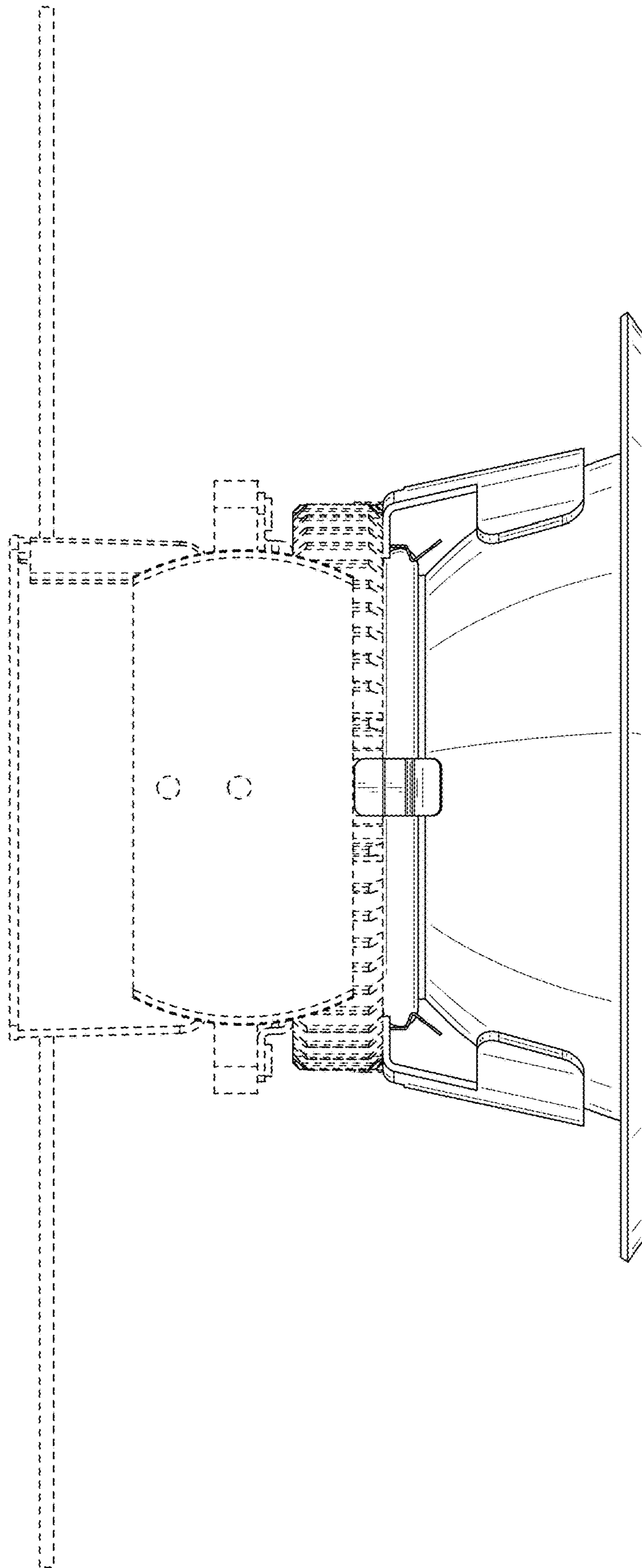


FIG. 4

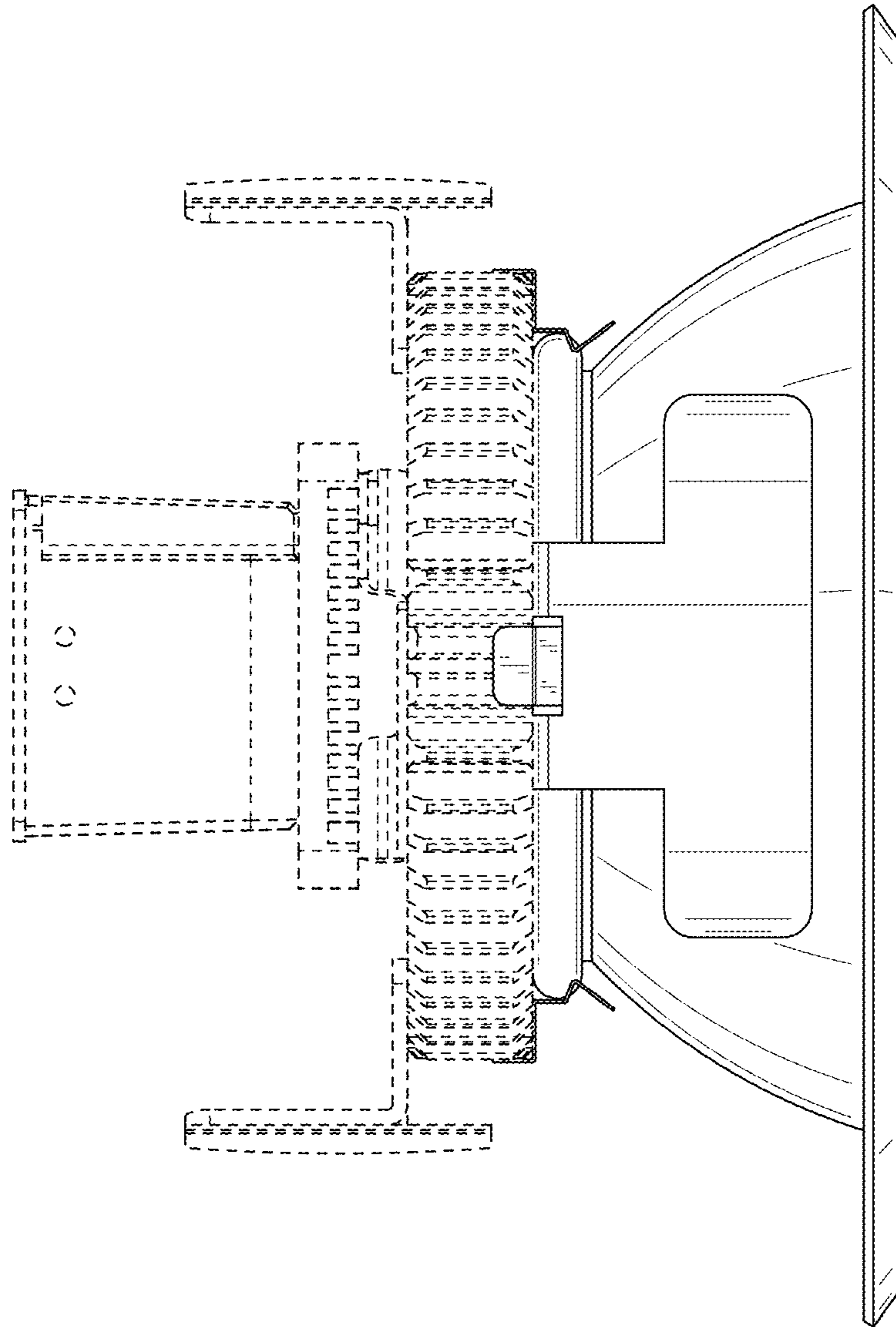


FIG. 5

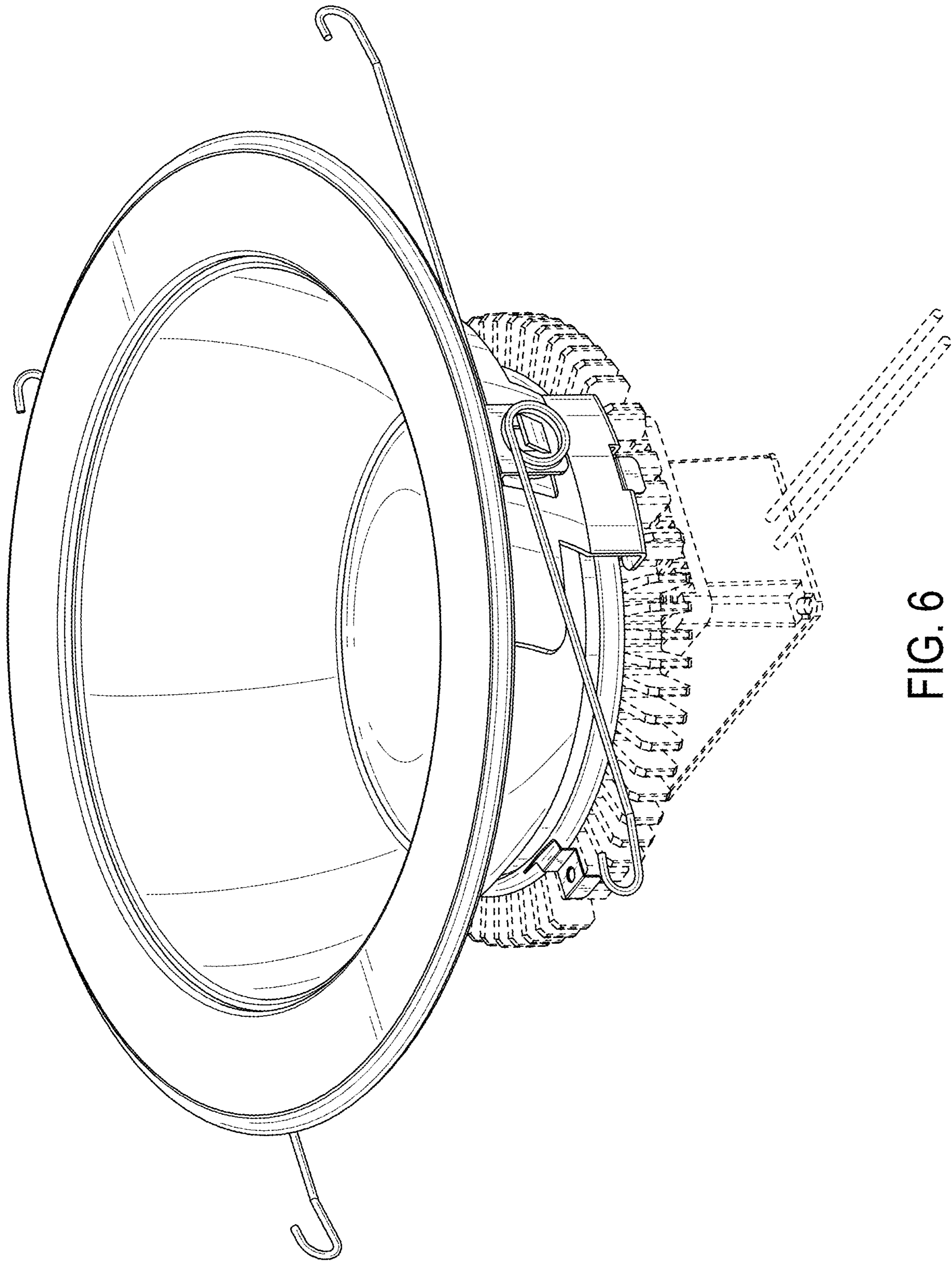


FIG. 6



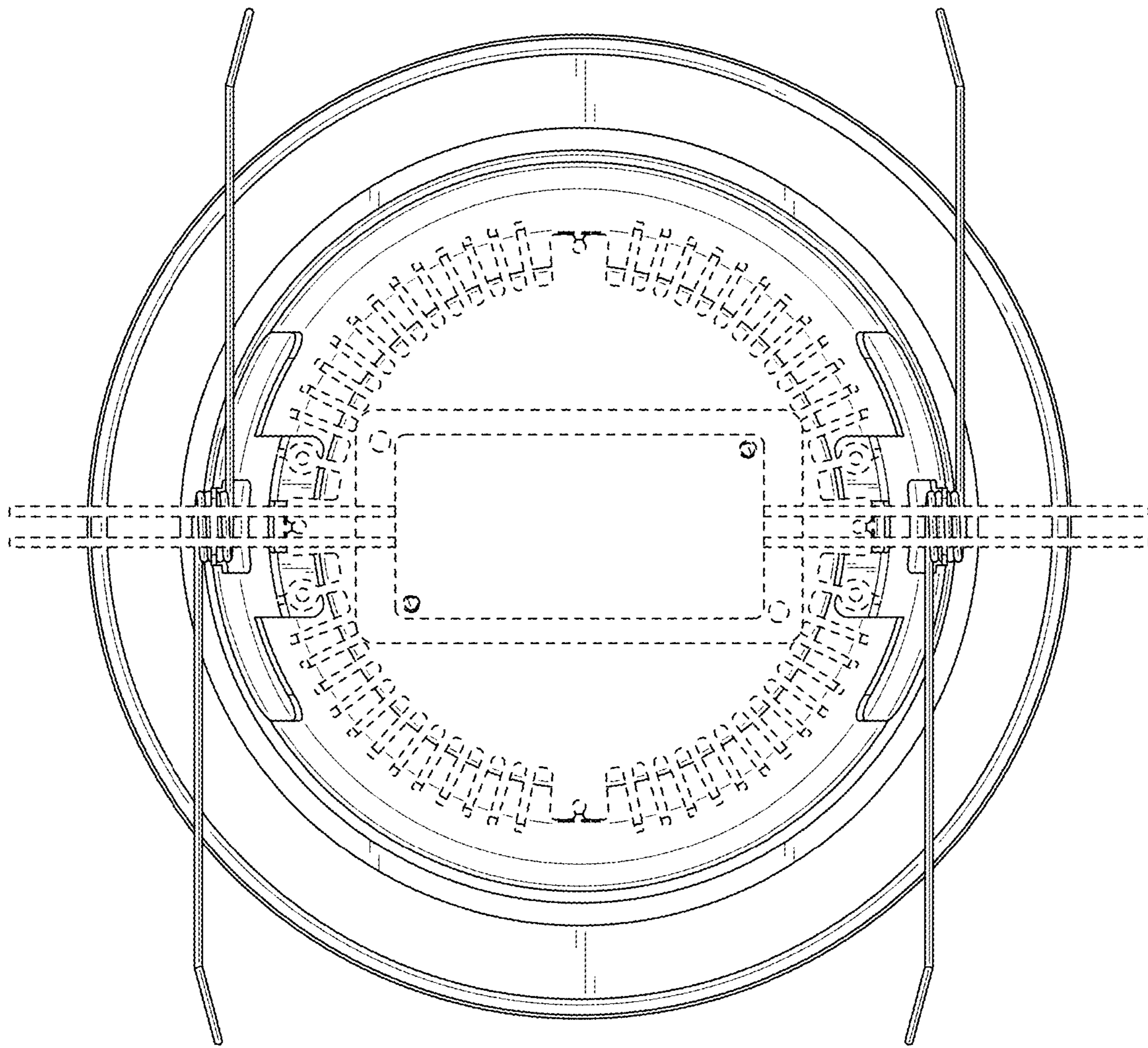


FIG. 7

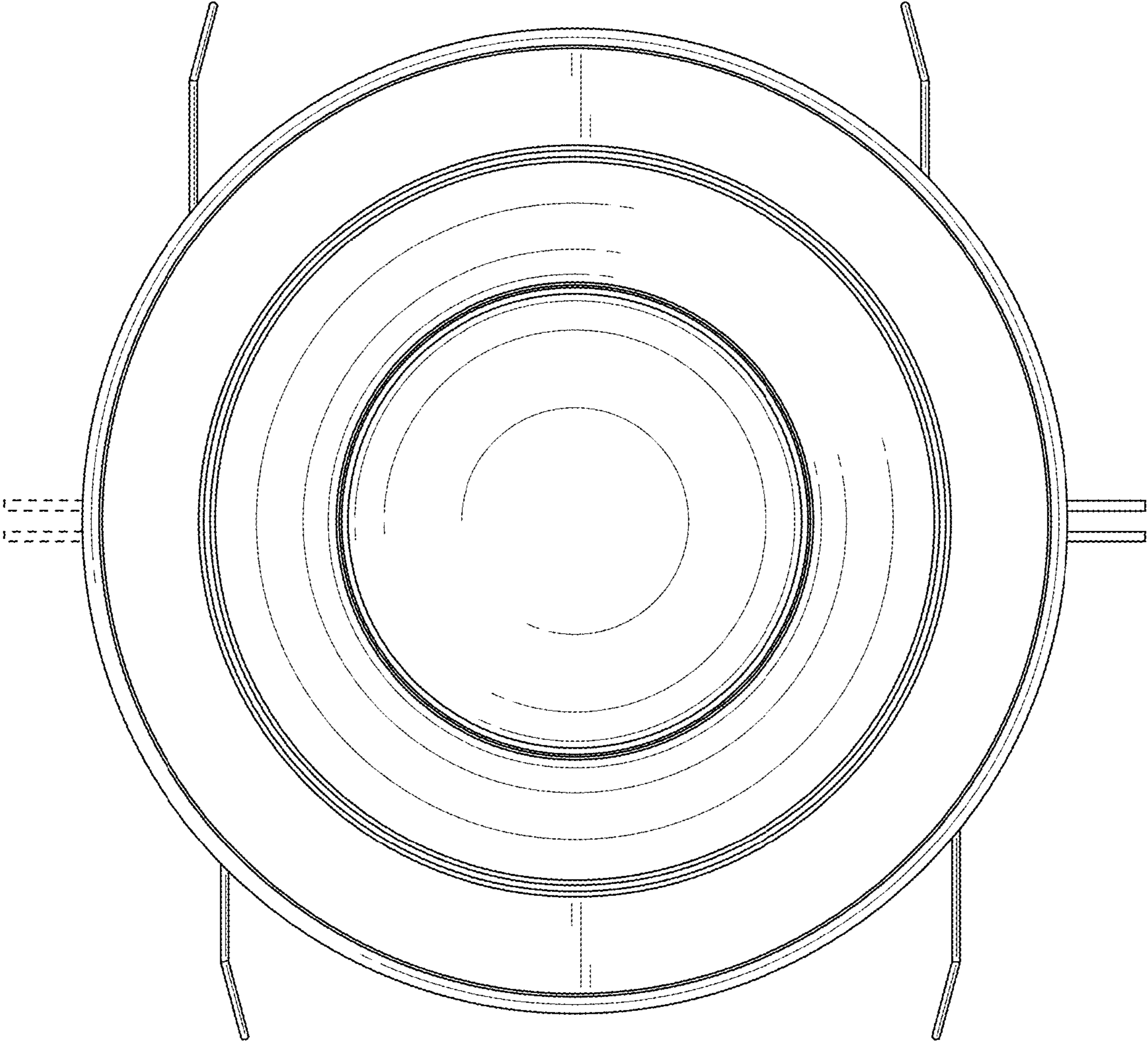


FIG. 8

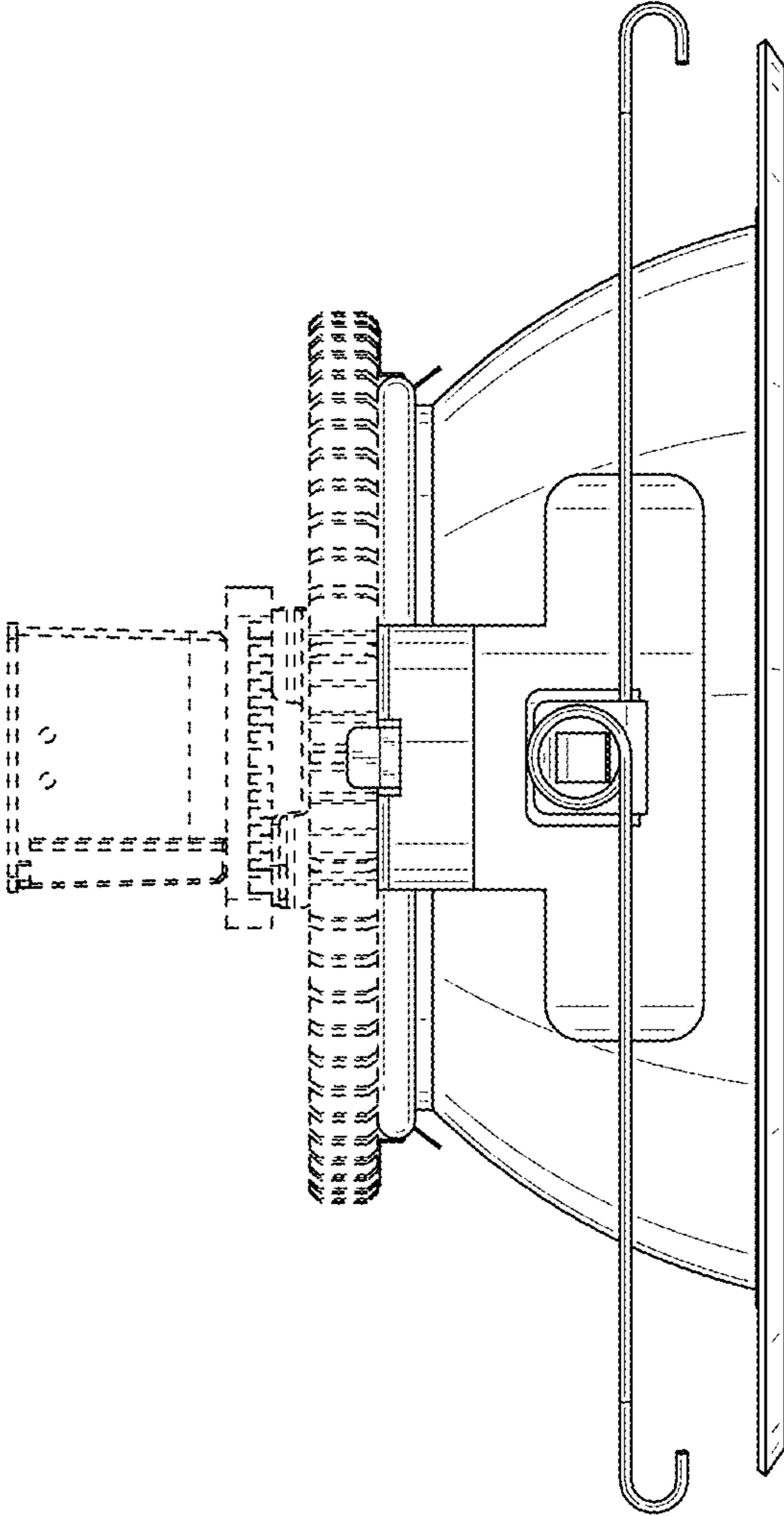


FIG. 9

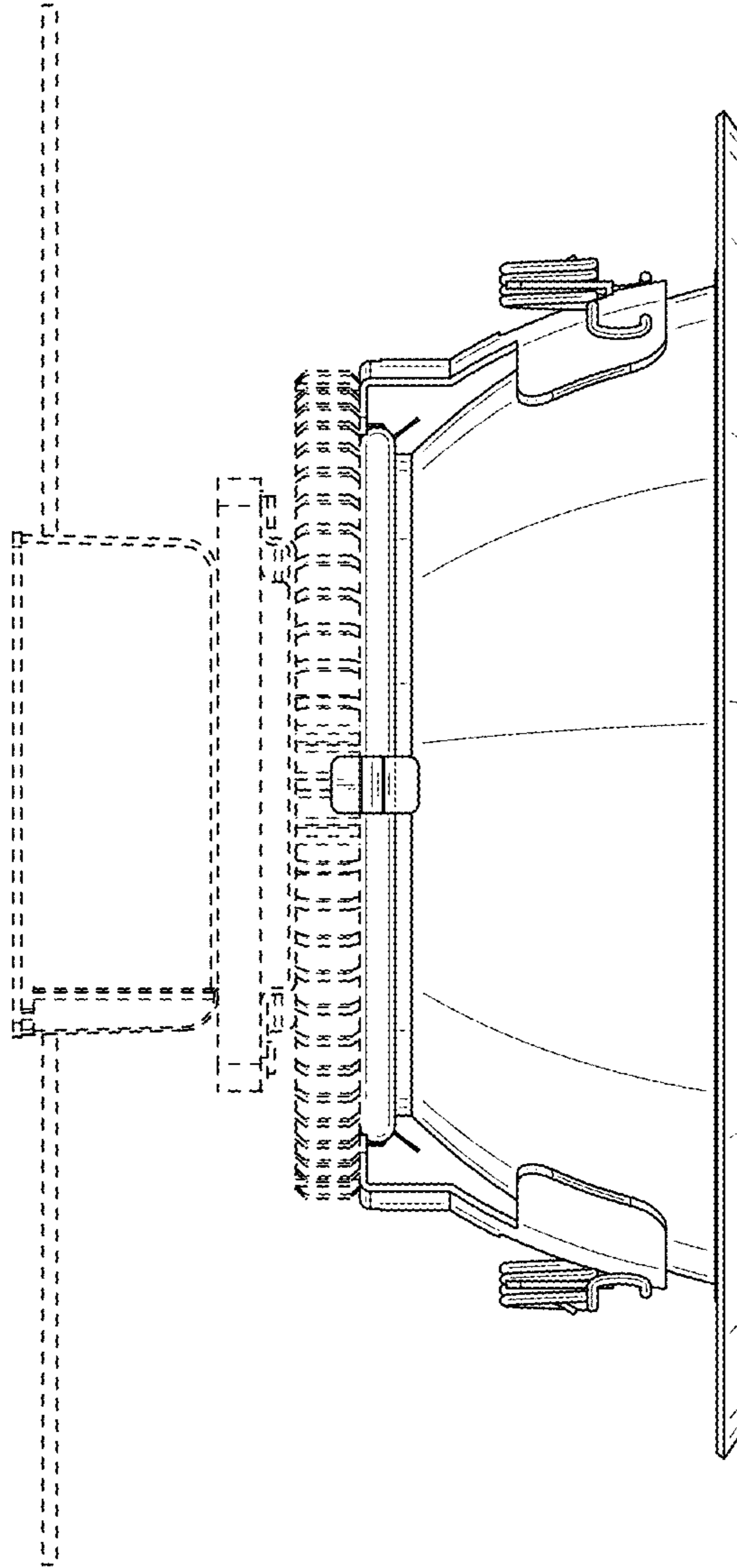


FIG. 10

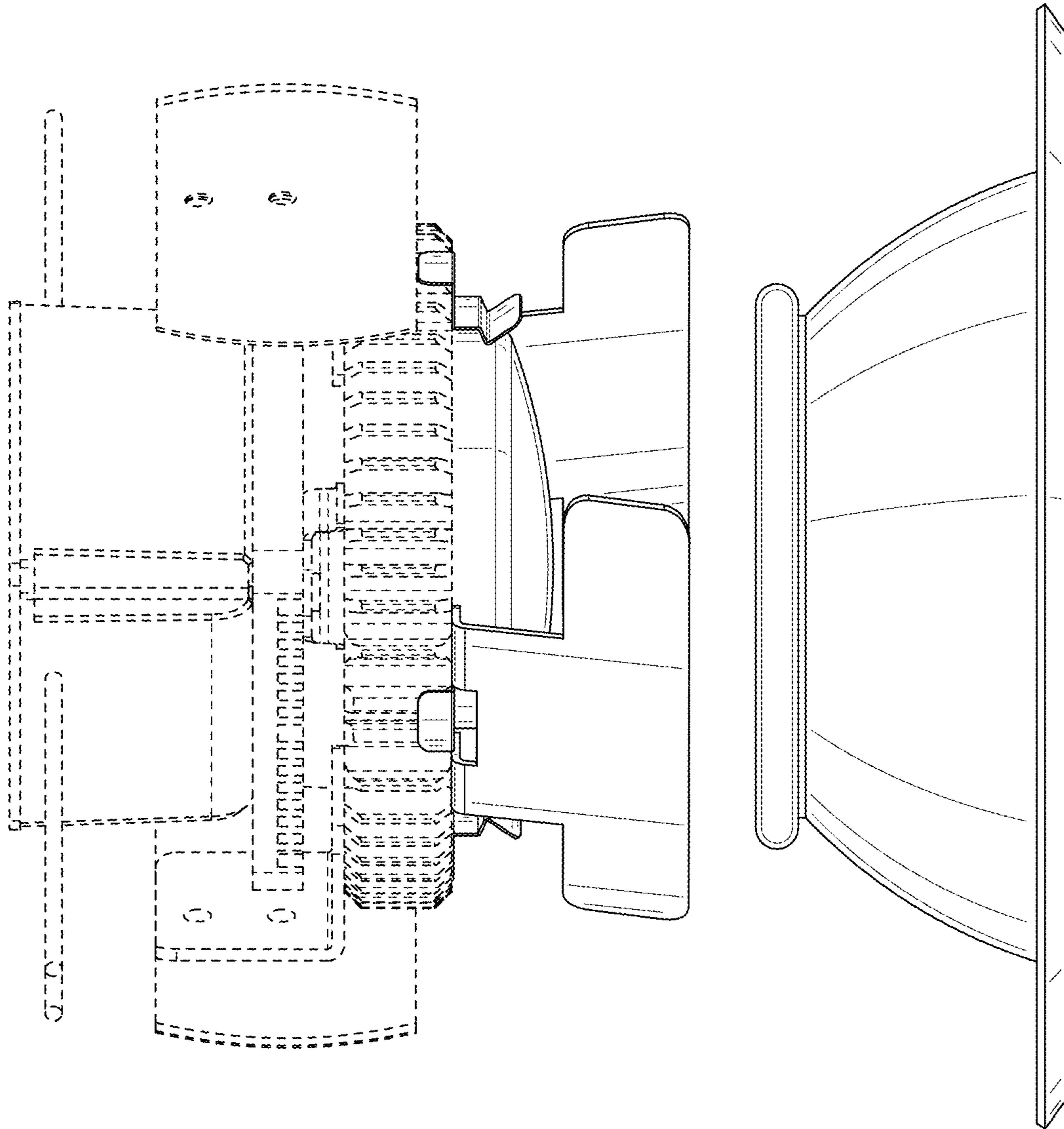


FIG. 11

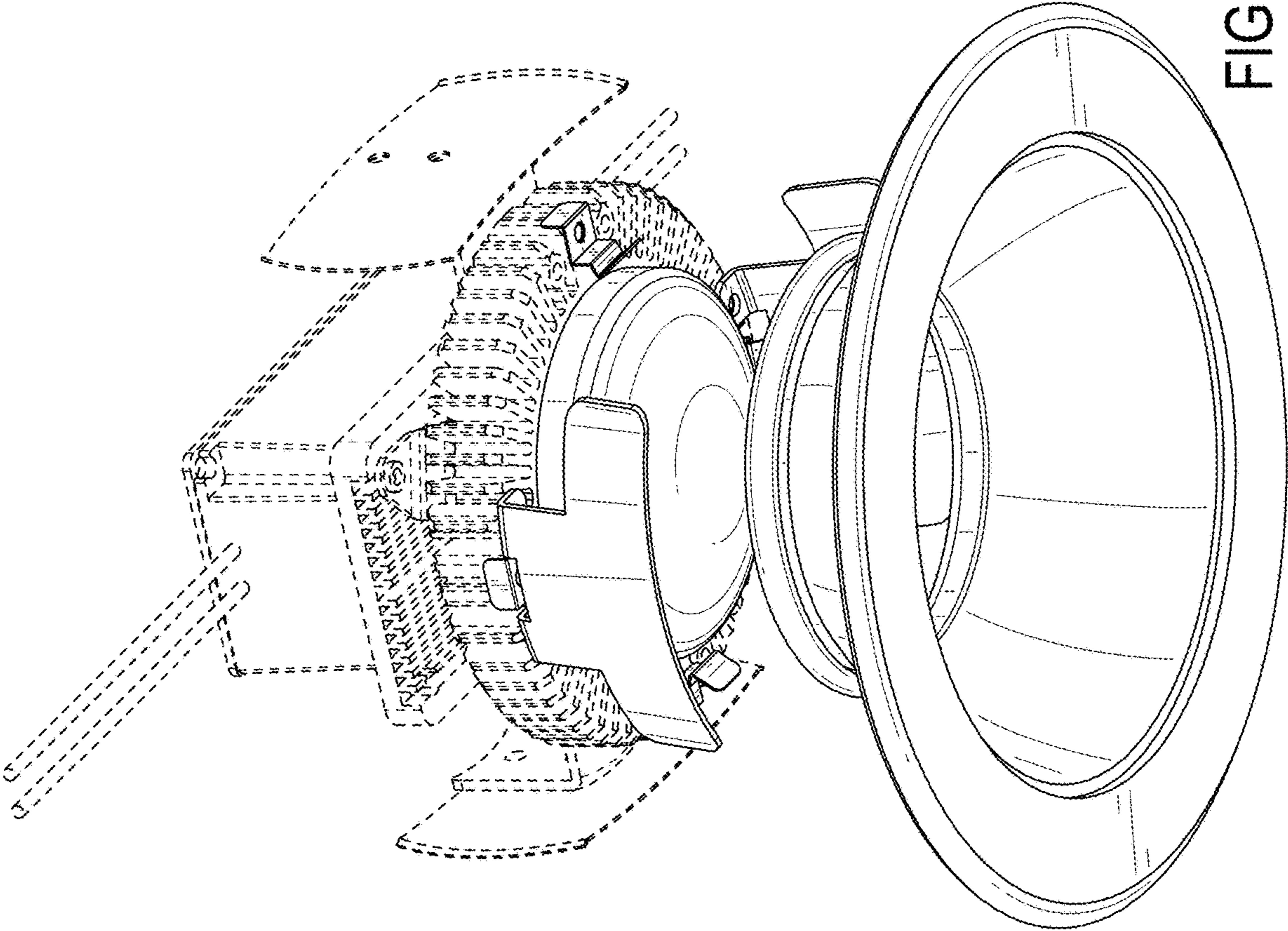


FIG. 12

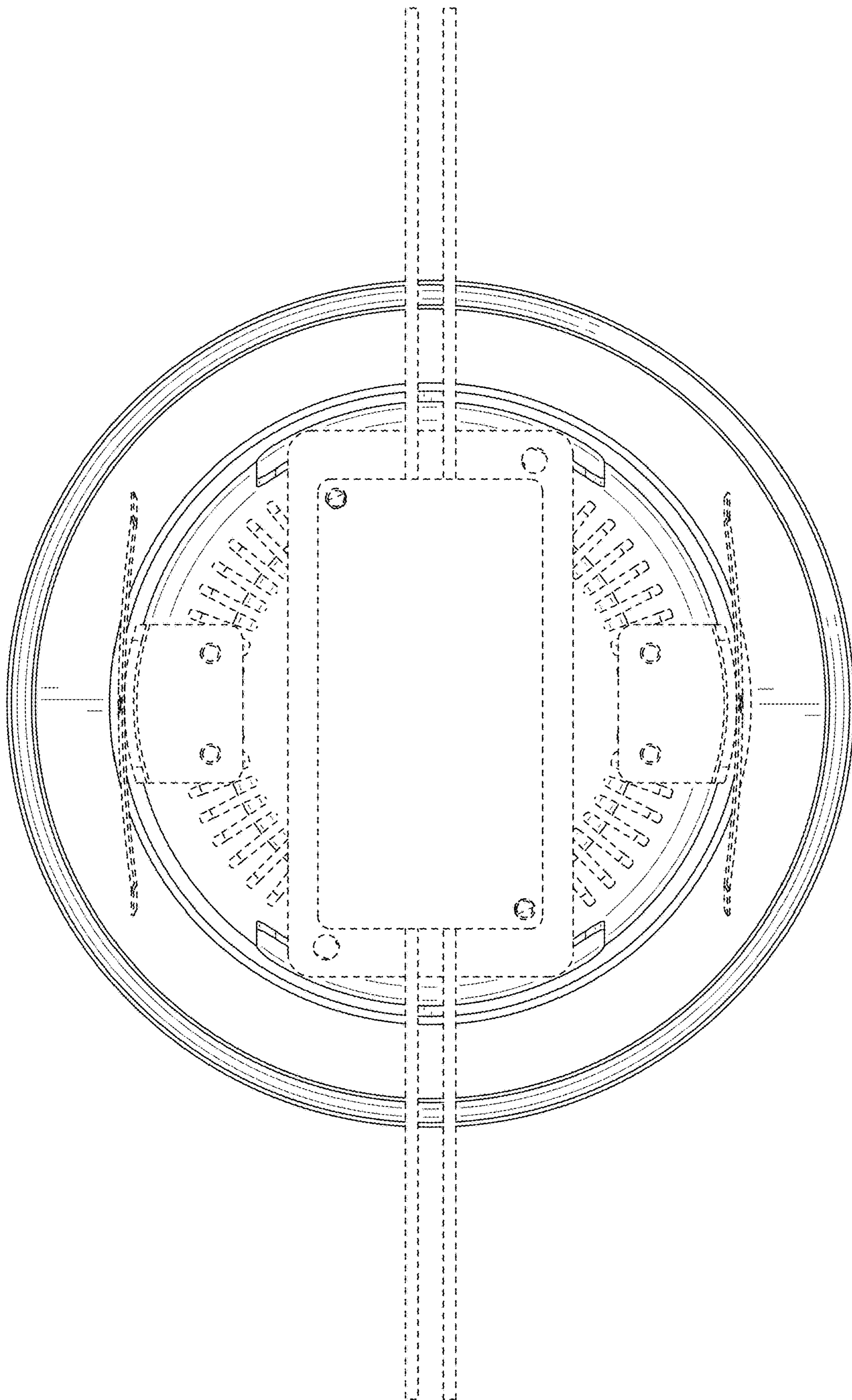


FIG. 13

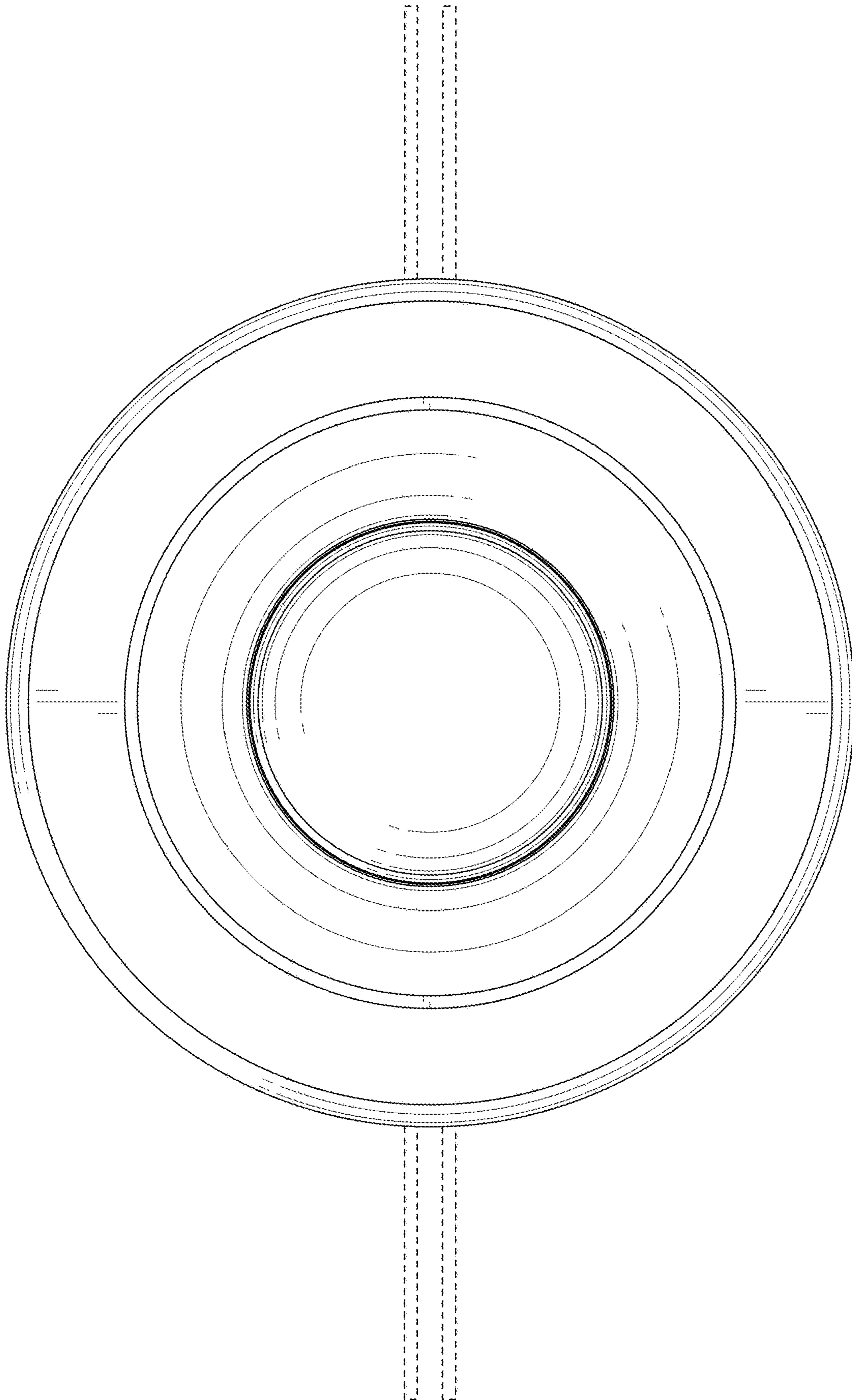


FIG. 14



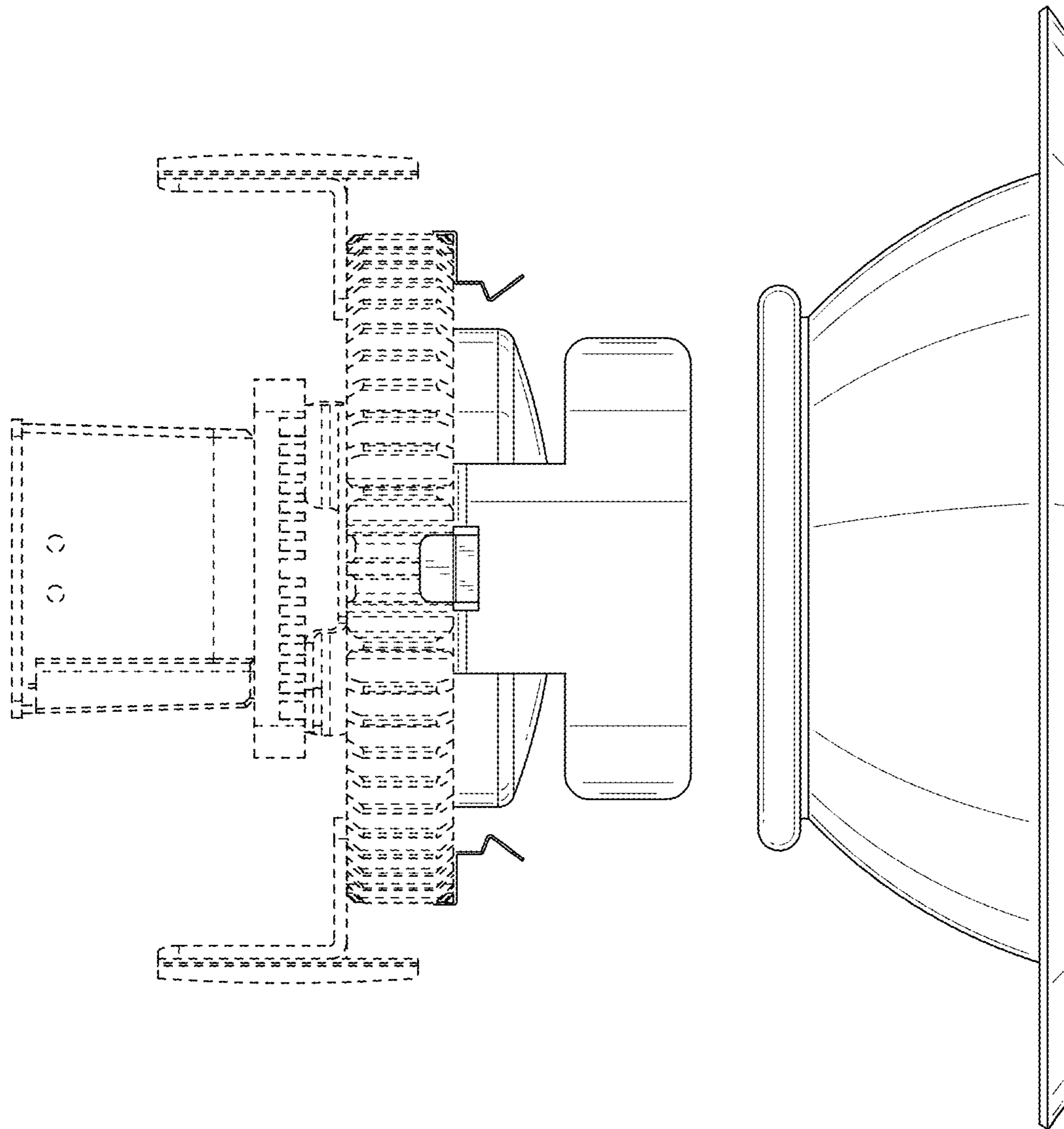


FIG. 15

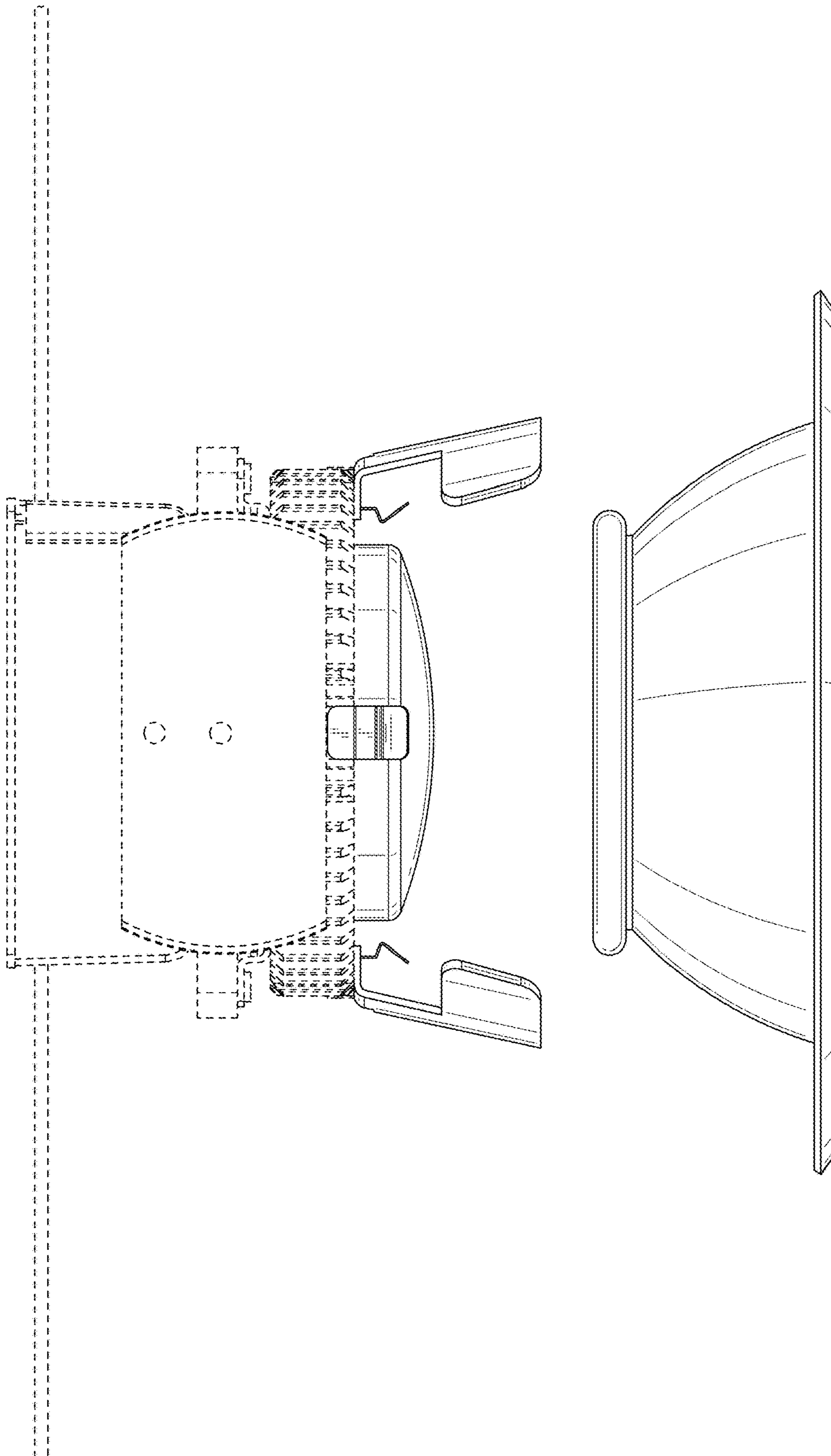


FIG. 16

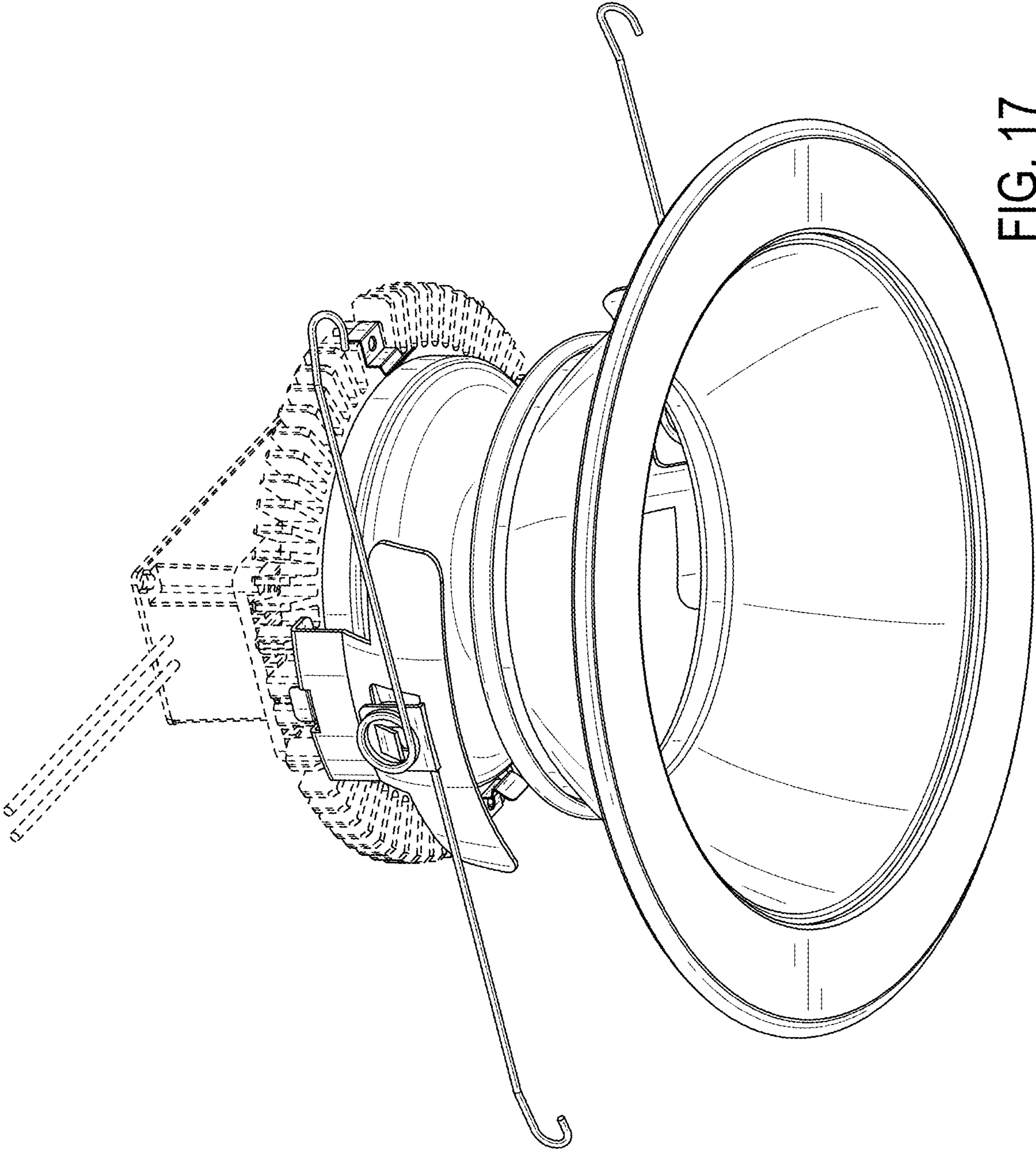


FIG. 17

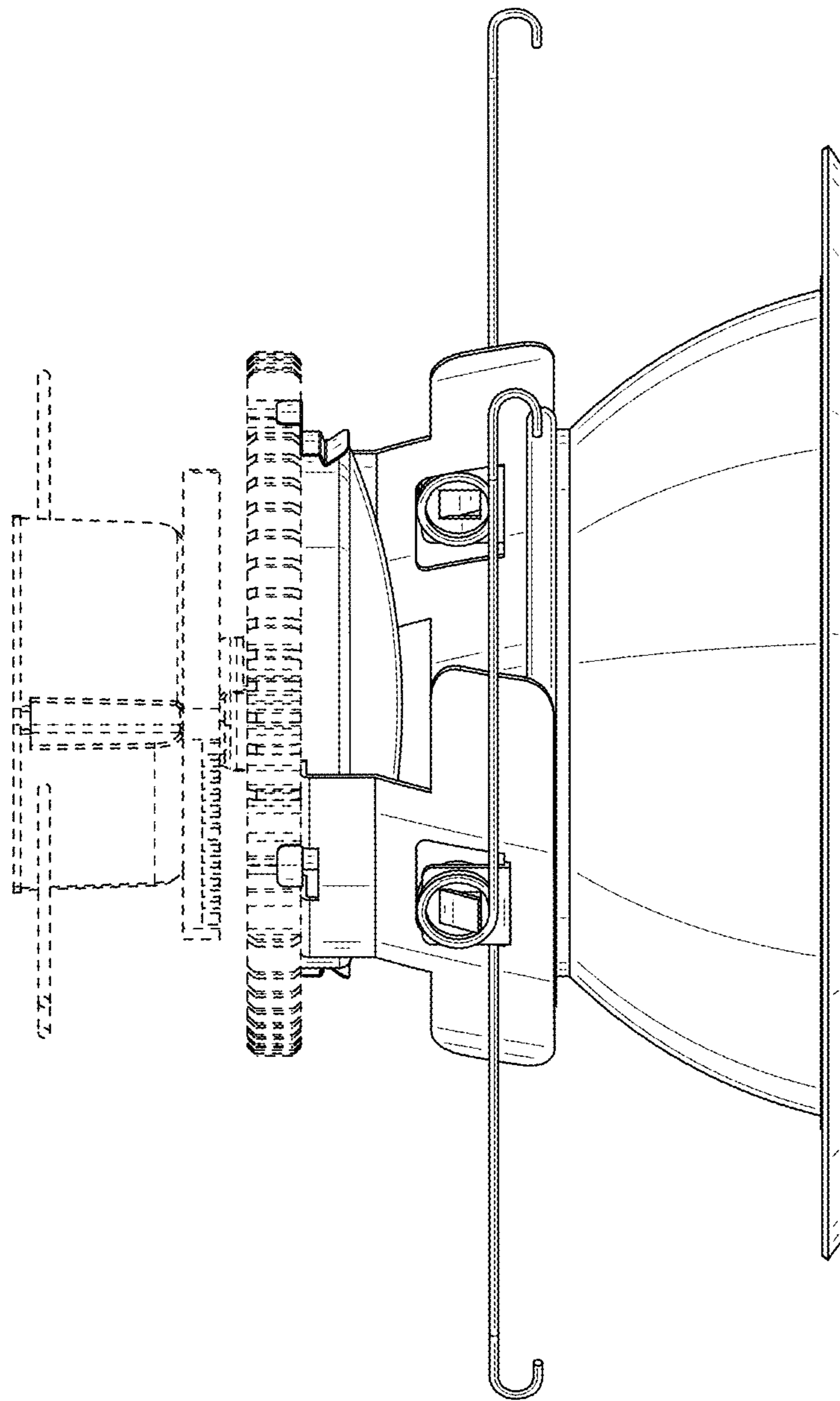


FIG. 18

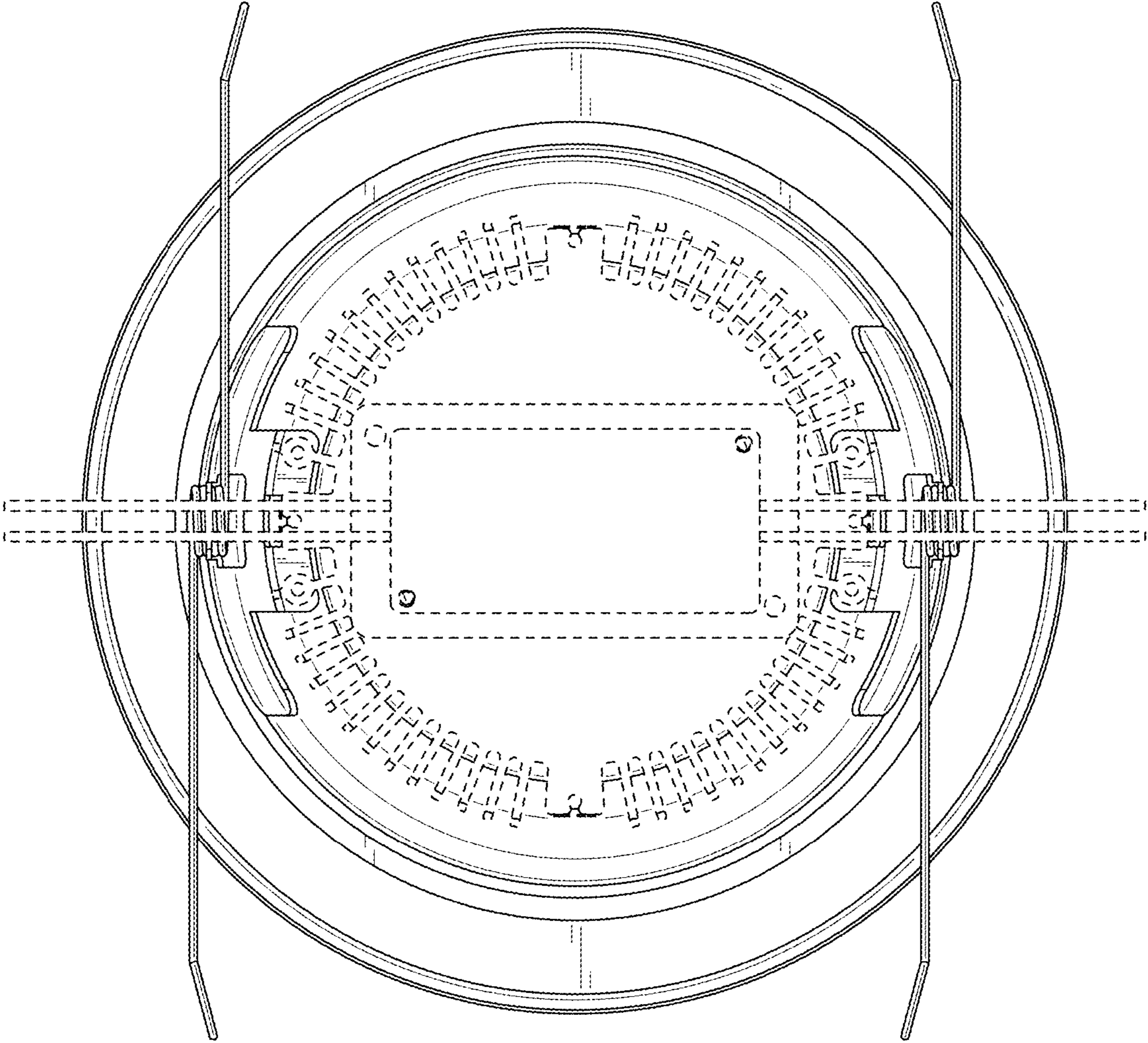


FIG. 19

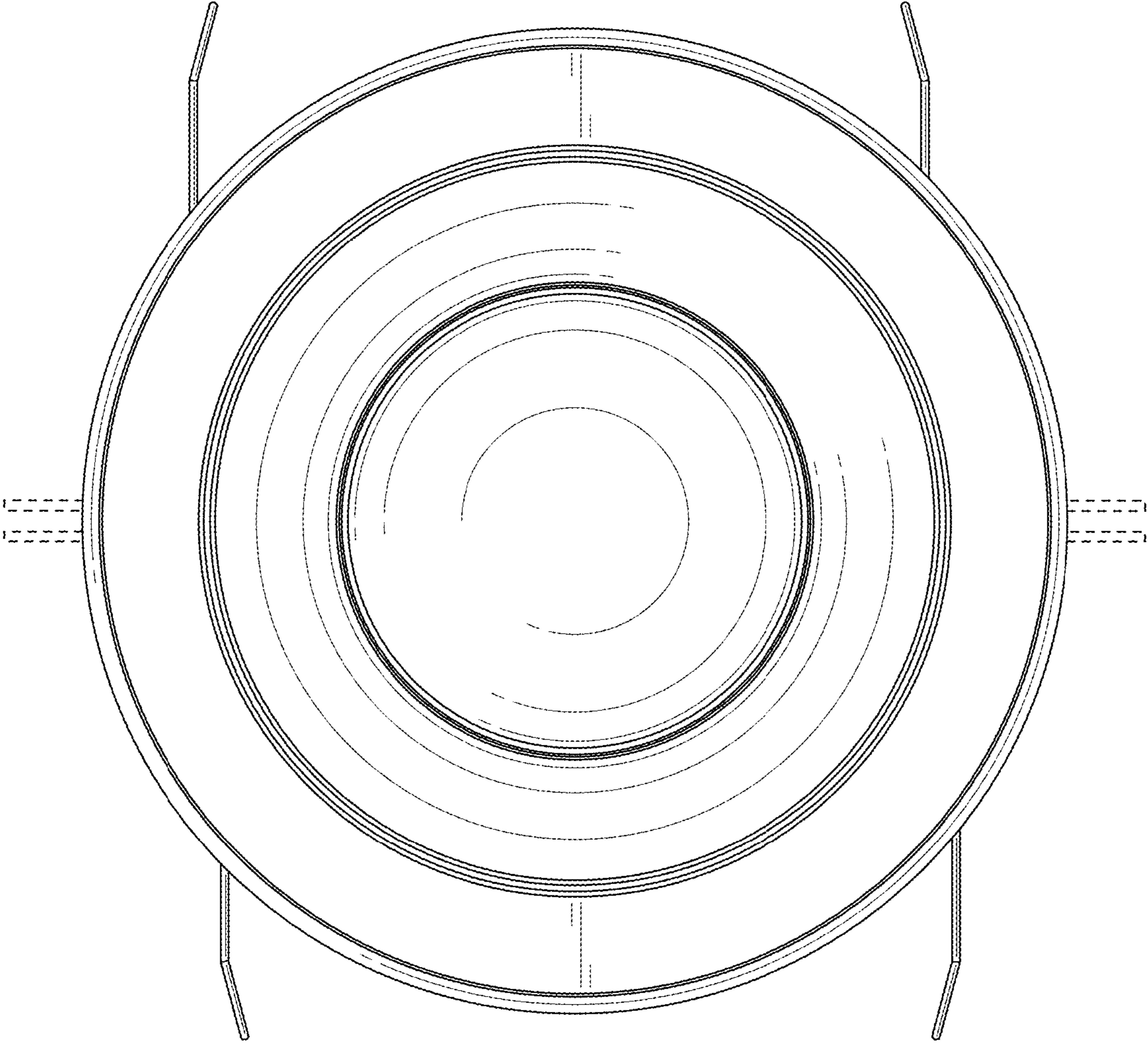


FIG. 20

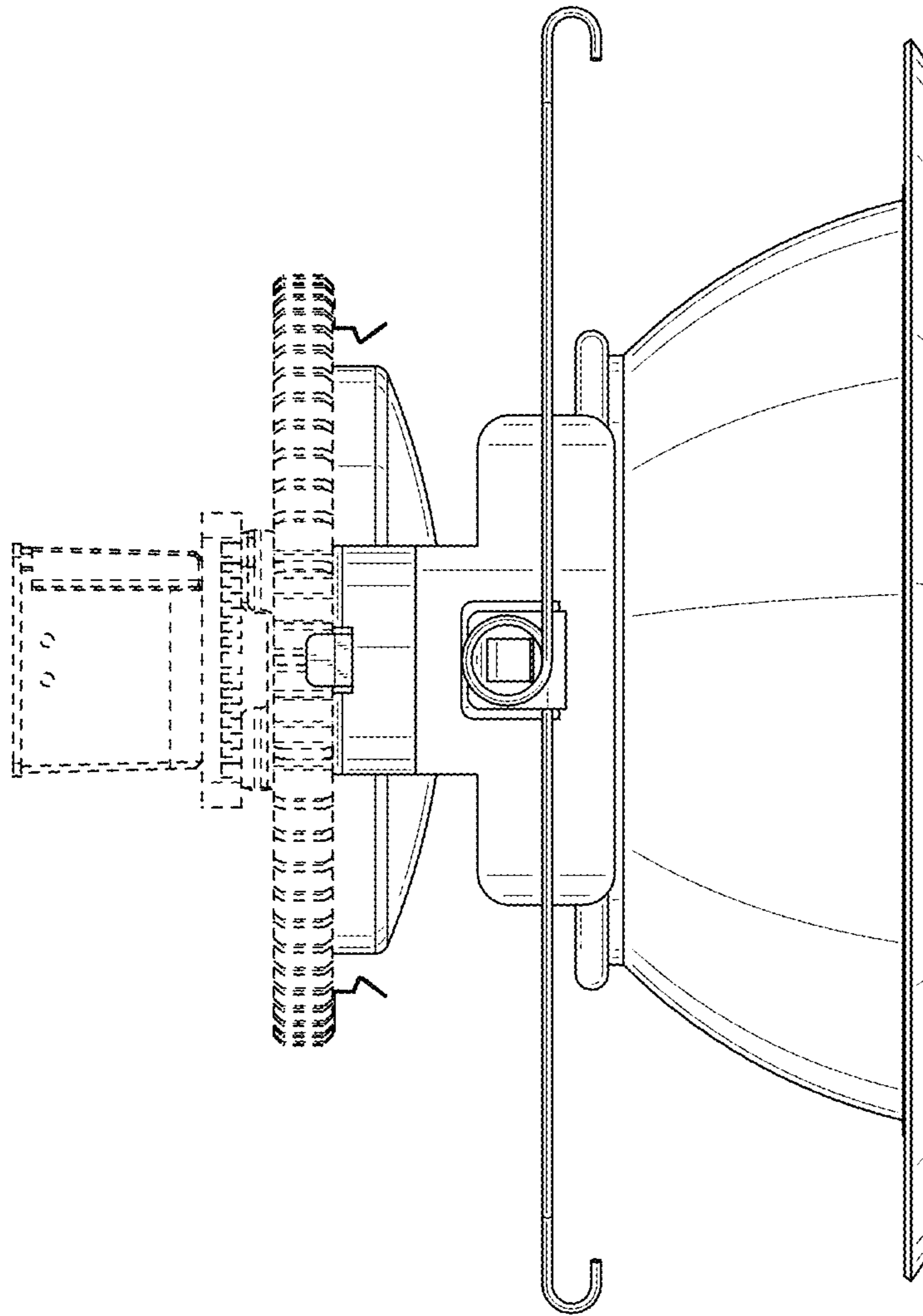


FIG. 21