



US00D871641S

(12) **United States Design Patent** (10) **Patent No.:** **US D871,641 S**  
**Becker et al.** (45) **Date of Patent:** **\*\* Dec. 31, 2019**

(54) **LIGHT**

FOREIGN PATENT DOCUMENTS

(71) Applicant: **Dometic Sweden AB**, Solna (SE)  
(72) Inventors: **Kent A. Becker**, Huntertown, IN (US);  
**Samuele Meda**, Solna (SE); **Mikael Thelin**, Huddinge (SE)

AU 366561 1/2016  
AU 366562 1/2016

(Continued)

(73) Assignee: **DOMETIC SWEDEN AB**, Solna (SE)

Dometic 2016 Product Catalog, PowerChannel Accessories, p. 35, Nov. 18, 2015 [the Light can be used with the RV awning system shown in this Non-Patent Literature "PowerChannel"].

(\*\*) Term: **15 Years**

(Continued)

(21) Appl. No.: **29/626,923**

*Primary Examiner* — Brian N. Vinson

(22) Filed: **Nov. 21, 2017**

(74) *Attorney, Agent, or Firm* — Middleton Reutlinger

(51) **LOC (12) Cl.** ..... **26-03**

(57) **CLAIM**

(52) **U.S. Cl.**

The ornamental design for a light, as shown and described.

USPC ..... **D26/63**

**DESCRIPTION**

(58) **Field of Classification Search**

USPC ..... D26/1, 24, 61, 63, 65, 85, 92  
CPC ..... F21V 21/14; F21V 15/01; F21V 14/02;  
F21V 21/30; F21V 21/00; F21V 14/00;  
F21S 8/00; F21S 8/003; F21S 8/043;  
F21Y 2105/001

See application file for complete search history.

FIG. 1 is an upper perspective view of a first light design; FIG. 2 is a top view of the light design of FIG. 1; FIG. 3 is a bottom view of the light design of FIG. 1; FIG. 4 is a first side view of the light design of FIG. 1; FIG. 5 is a second side view of the light design of FIG. 1; FIG. 6 is a front view of the light design of FIG. 1; FIG. 7 is a rear view of the light of FIG. 1; and, FIG. 8 is a lower perspective view of the light of FIG. 1; FIG. 9 is an upper perspective view of a second light design; FIG. 10 is a top view of the light design of FIG. 9; FIG. 11 is a bottom view of the light design of FIG. 9; FIG. 12 is a first side view of the light design of FIG. 9; FIG. 13 is a second side view of the light design of FIG. 9; FIG. 14 is a front view of the light design of FIG. 9; FIG. 15 is a rear view of the light of FIG. 9; and, FIG. 16 is a lower perspective view of the light of FIG. 9. The broken line disclosure represents unclaimed portions of the light in which the design is embodied.

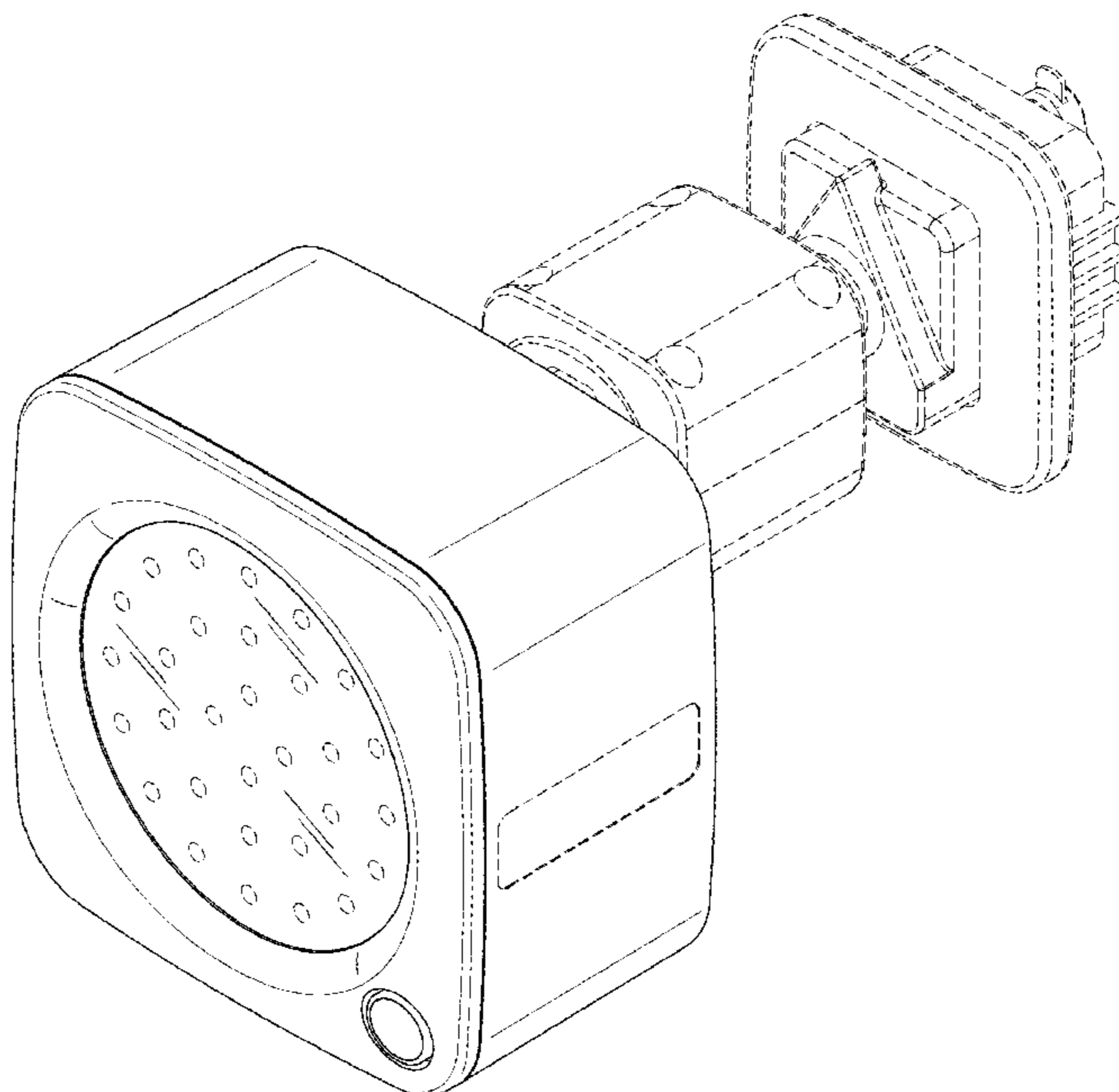
(56) **References Cited**

U.S. PATENT DOCUMENTS

4,032,208 A 6/1977 Berkenhoff  
D247,171 S 2/1978 Berkenhoff  
D275,748 S 10/1984 Humphreys  
D282,101 S 1/1986 Yuen  
4,676,567 A 6/1987 Mouchi  
D291,350 S 8/1987 Sherman et al.  
D291,605 S 8/1987 Roos  
D291,929 S 9/1987 Kusmer

(Continued)

**1 Claim, 16 Drawing Sheets**



(56)

References Cited

U.S. PATENT DOCUMENTS

4,915,670 A 4/1990 Nesbit  
 4,936,594 A 6/1990 Oliver, III  
 D313,842 S 1/1991 Fan  
 D315,418 S 3/1991 Layne  
 D315,419 S 3/1991 Layne  
 D318,740 S 7/1991 Layne  
 D323,718 S 2/1992 Layne  
 5,273,062 A 12/1993 Mozdzanowski  
 D360,417 S 7/1995 Mark  
 D361,828 S 8/1995 Chen  
 D372,918 S 8/1996 Manganese et al.  
 5,855,485 A 1/1999 Patti  
 6,017,188 A 1/2000 Benton  
 D424,017 S 5/2000 Lin  
 6,056,561 A 5/2000 Lin  
 6,203,339 B1 3/2001 Nieminen  
 D442,309 S 5/2001 Miller et al.  
 D444,252 S 6/2001 Miller et al.  
 6,439,249 B1 8/2002 Pan et al.  
 6,439,749 B1 8/2002 Miller et al.  
 D465,046 S 10/2002 Layne et al.  
 D472,999 S 4/2003 Layne et al.  
 6,585,529 B2 7/2003 Zakerzewski  
 6,612,875 B1 9/2003 Liao  
 D493,138 S 7/2004 Jiang  
 6,764,133 B2 7/2004 Osato  
 D503,396 S 3/2005 Hisatsune  
 6,884,095 B1 4/2005 Tsai  
 D545,950 S 7/2007 Ching et al.  
 D556,367 S 11/2007 Lehman et al.  
 D561,168 S 2/2008 Song et al.  
 D569,544 S 5/2008 Aubrey  
 D576,345 S 9/2008 Aubrey  
 D576,486 S 9/2008 Koza  
 7,520,763 B1 4/2009 Buse  
 D594,822 S 6/2009 Layne et al.  
 D596,196 S 7/2009 Laituri et al.  
 D616,080 S 5/2010 Ching  
 D618,252 S 6/2010 Bradford et al.  
 7,762,765 B2 7/2010 Milks  
 7,778,624 B2 8/2010 Li  
 D633,608 S 3/2011 Shapiro  
 3,061,374 A1 11/2011 Li  
 D671,426 S 11/2012 Pickens et al.  
 8,393,341 B2 3/2013 Li  
 D679,258 S 4/2013 Moore et al.  
 8,453,659 B2 6/2013 Li  
 D698,058 S 1/2014 Rashidi  
 D698,475 S 1/2014 Korpi  
 8,755,305 B2 6/2014 Altekari et al.  
 D708,131 S 7/2014 Miller et al.  
 D713,334 S 9/2014 Mao  
 D713,595 S \* 9/2014 Lechtenberg ..... D26/63  
 D718,736 S 12/2014 Thompson et al.  
 8,899,999 B2 12/2014 Mackiewicz  
 D721,738 S 1/2015 Hochman et al.  
 D733,273 S 6/2015 Jeon et al.  
 D734,720 S 7/2015 Alesi et al.  
 D749,541 S 2/2016 Wong  
 D754,109 S 4/2016 Kelly  
 D761,199 S 7/2016 Hong et al.  
 D761,471 S \* 7/2016 Hoffmann ..... D26/63  
 D763,818 S 8/2016 Yang  
 D769,184 S 10/2016 Esses  
 D769,188 S 10/2016 Miller et al.  
 D769,431 S 10/2016 Lopez  
 D773,720 S 12/2016 Lin  
 D774,174 S 12/2016 Chapman  
 D774,246 S 12/2016 Lin  
 D778,834 S 2/2017 Holweger et al.  
 D781,235 S 3/2017 Esses  
 D785,218 S \* 4/2017 Fletcher ..... D26/63  
 D790,052 S 6/2017 Ha  
 9,695,635 B2 7/2017 Meyers et al.  
 D803,449 S \* 11/2017 Xu ..... D26/63

D804,001 S 11/2017 Cartwright et al.  
 9,813,796 B1 11/2017 Deng  
 D805,019 S 12/2017 Taylor et al.  
 D805,458 S 12/2017 Taylor et al.  
 D811,640 S \* 2/2018 Kim ..... D26/63  
 D826,296 S 8/2018 Noorazar et al.  
 10,050,449 B2 8/2018 Hall et al.  
 D837,355 S 1/2019 Gunnefur  
 D837,429 S \* 1/2019 Yu ..... D26/63  
 D838,824 S 1/2019 Sun  
 10,186,820 B1 1/2019 Gellert et al.  
 D842,265 S 3/2019 Becker et al.  
 D842,266 S 3/2019 Becker et al.  
 D848,593 S 5/2019 Exley  
 D852,340 S 6/2019 Barlettano  
 D852,344 S 6/2019 Hua  
 D852,739 S 7/2019 Becker et al.  
 D854,212 S \* 7/2019 Yuan ..... D26/63  
 D855,231 S \* 7/2019 Huang ..... D26/63  
 2002/0045369 A1 4/2002 Agro  
 2006/0209531 A1 9/2006 Tiesler et al.  
 2007/0242450 A1 10/2007 Blatecky  
 2008/0032650 A1 2/2008 Zhang  
 2011/0170704 A1 7/2011 Smith et al.  
 2013/0063963 A1 3/2013 Rieseboch  
 2015/0034259 A1 2/2015 Bohlen et al.  
 2016/0255703 A1 9/2016 Davie  
 2017/0073975 A1 3/2017 Taylor et al.  
 2017/0088068 A1 3/2017 Taylor et al.  
 2017/0089529 A1 3/2017 Xu  
 2017/0191649 A1 7/2017 Zhang

FOREIGN PATENT DOCUMENTS

CA 165362 S 6/2016  
 CA 165363 S 6/2016  
 EM 002861385-0001 11/2015  
 EM 002861393-0001 11/2015  
 WO 2010/098735 A1 9/2010  
 WO 2015/175990 A1 11/2015  
 WO 2015/176013 A1 11/2015

OTHER PUBLICATIONS

Dometic 2017 Product Catalog, Awning Power Channel Accessories, p. 1-11, May 8, 2017.  
 Dometic, "FreeStyle" Bluetooth-Enabled Portable Awning Speaker, 2012.  
 ECOXGEAR, Bluetooth Waterproof Portable Speaker System; www.bjs.com/ecoxgear-bluetooth-waterproof-portable-speaker-system-red.product.227498, Jan. 7, 2014.  
 Home Depot, Ion 10-Watt Wireless Bluetooth Speaker with Built-in-Clip; http://www.homedepot.com/p/Ion-10-Watt-Wireless-Bluetooth-Speaker-with-Built-in-Clip-Red-ISP29R/204325987, Jan. 7, 2014.  
 Camping World, Portable Speaker Case; http://www.campingworld.com/shopping/item/portable-speaker-case/58398, May 5, 2012.  
 Dometic, 2016 Product Catalog, PowerChannel Awnings, p. 35, Nov. 16, 2015.  
 Dometic, 2016 Product Catalog, Endless Breeze, p. 91, Nov. 16, 2015.  
 Notice of Allowance mailed in Design U.S. Appl. No. 29/626,917 dated Oct. 12, 2018.  
 Notice of Allowance mailed in Design U.S. Appl. No. 29/626,926 dated Oct. 12, 2018.  
 Ex Parte Quale Action mailed in Design U.S. Appl. No. 29/626,929 dated Nov. 14, 2018.  
 Notice of Allowance mailed in Design U.S. Appl. No. 29/626,929 dated Feb. 8, 2019.  
 Notice of Allowance mailed in Design U.S. Appl. No. 29/626,921 dated Jul. 17, 2019.  
 Design U.S. Appl. No. 29/626,921 entitled "Fan" filed Nov. 21, 2017.  
 Design U.S. Appl. 29/626,915 entitled "Accessory Base" filed Nov. 21, 2017.



(56)

**References Cited**

OTHER PUBLICATIONS

Canadian Patent Application 2,948,856 entitled "Power Track Assembly and Accessory Base Therefore" with national entry date Nov. 10, 2016.

Canadian Patent Application 2,948,854 entitled "Power Track Awning Assembly" with national entry date Nov. 10, 2016.

European Patent Application 15793465.4 entitled "Power Track Assembly and Accessory Base Therefore" with rational entry date Dec. 13, 2016.

European Patent Application 15793333.4 entitled "Power Track Awning Assembly" with national entry date Dec. 8, 2016.

Non-Final Rejection mailed in U.S. Design Appl. No. 29/626,921 dated Oct. 3, 2019.

Non-Final Rejection mailed in U.S. Design Appl. No. 29/626,915 dated Oct. 18, 2019.

\* cited by examiner

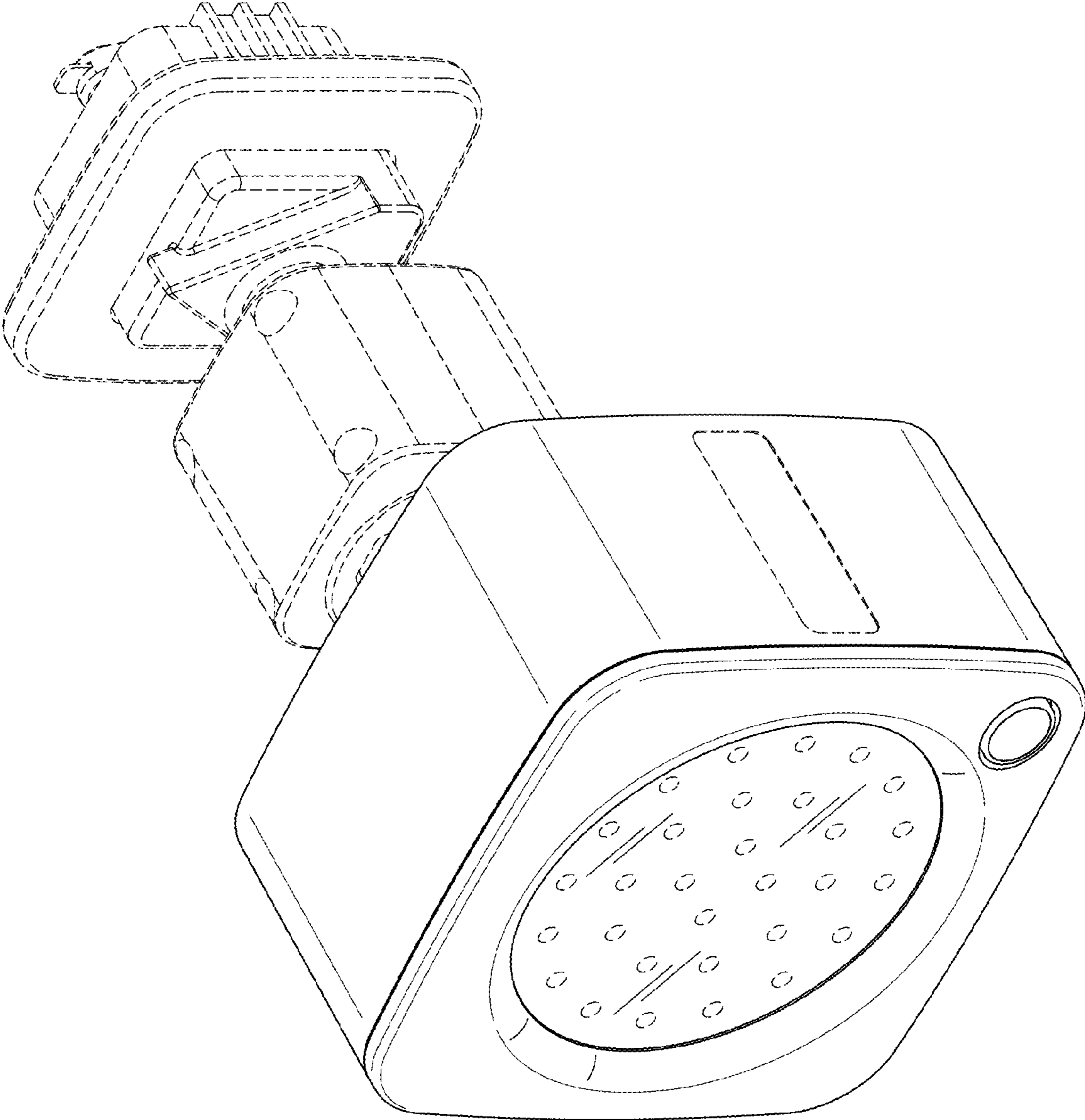


FIG. 1

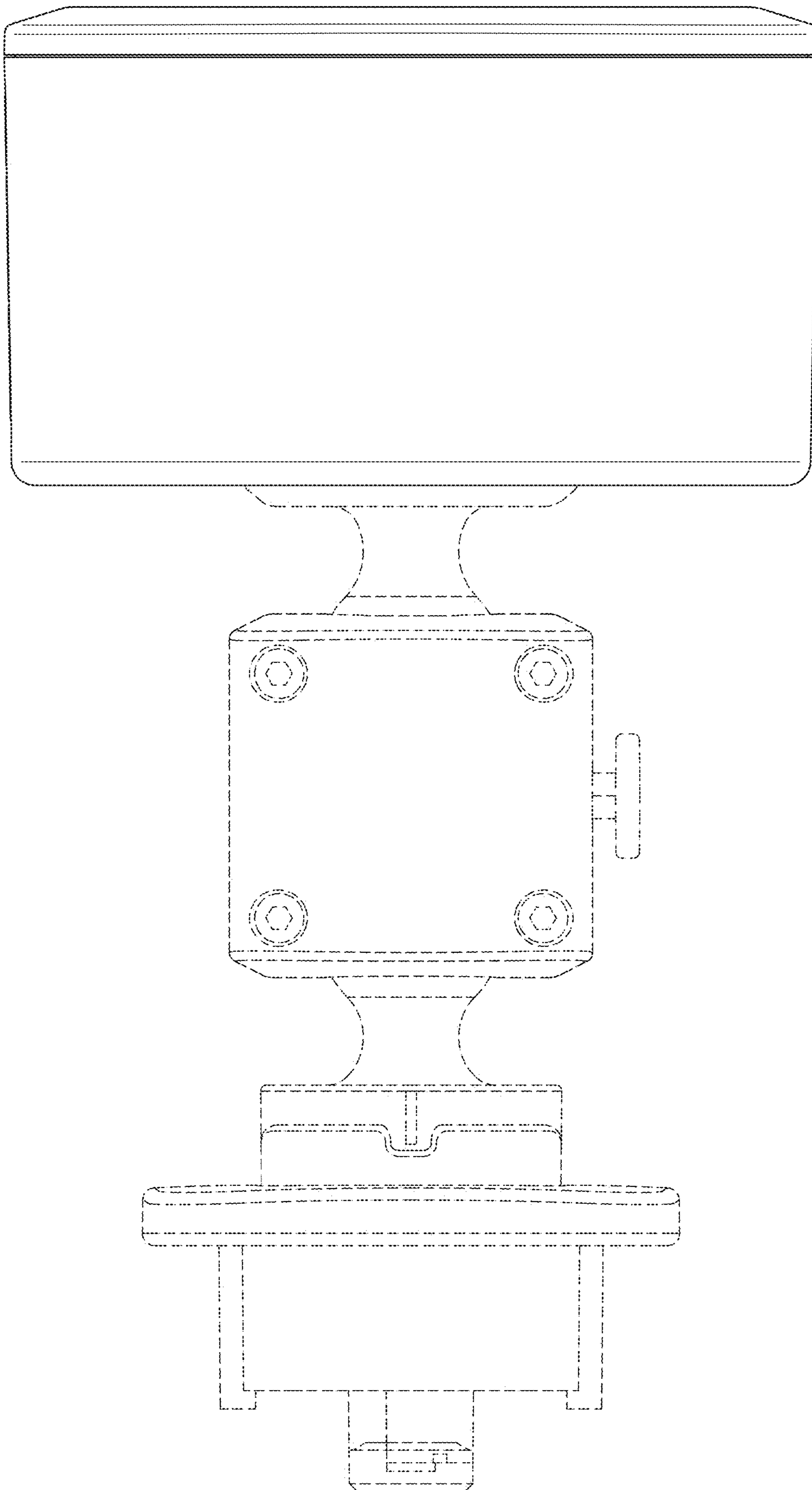


FIG. 2

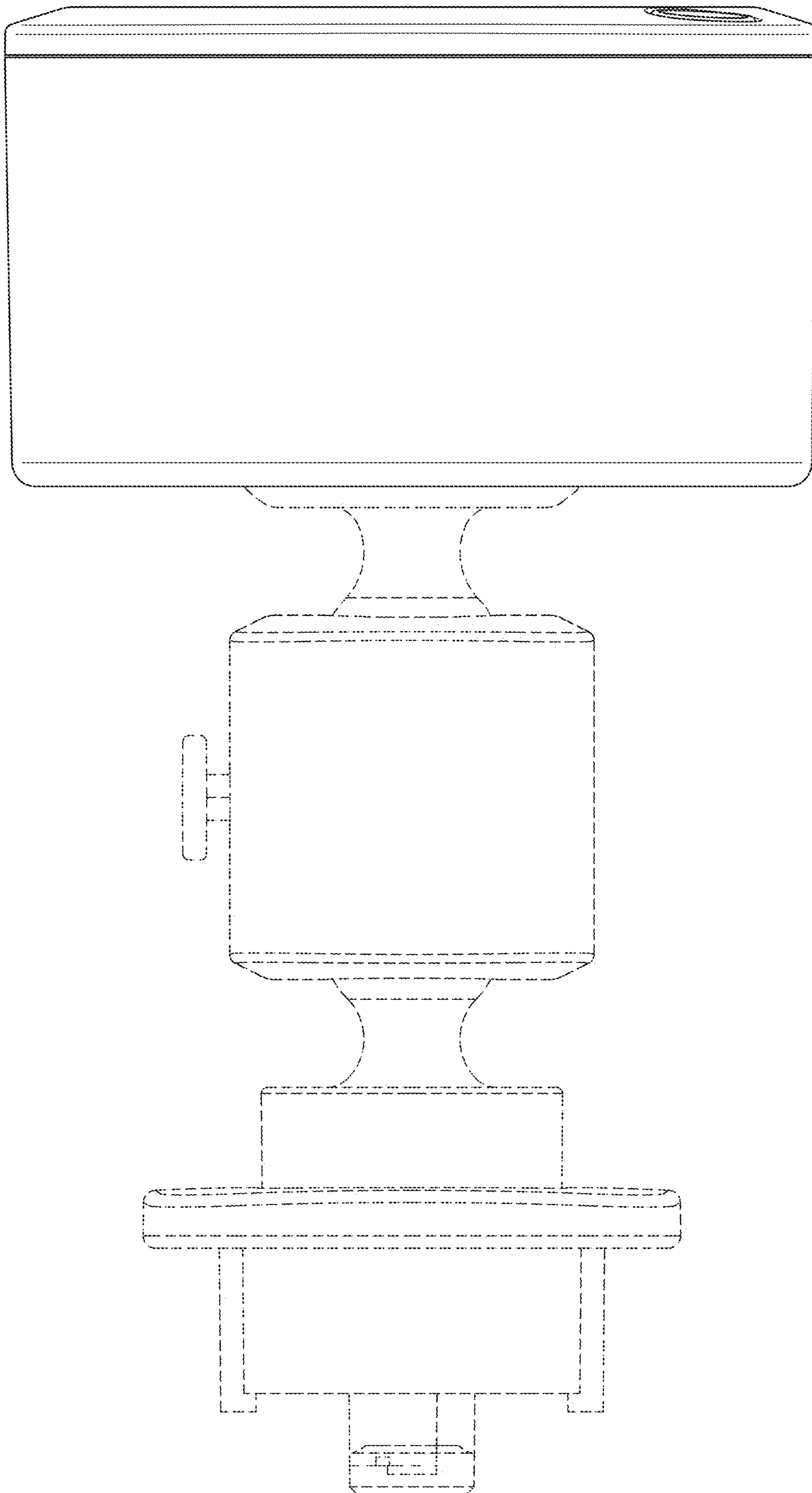


FIG. 3

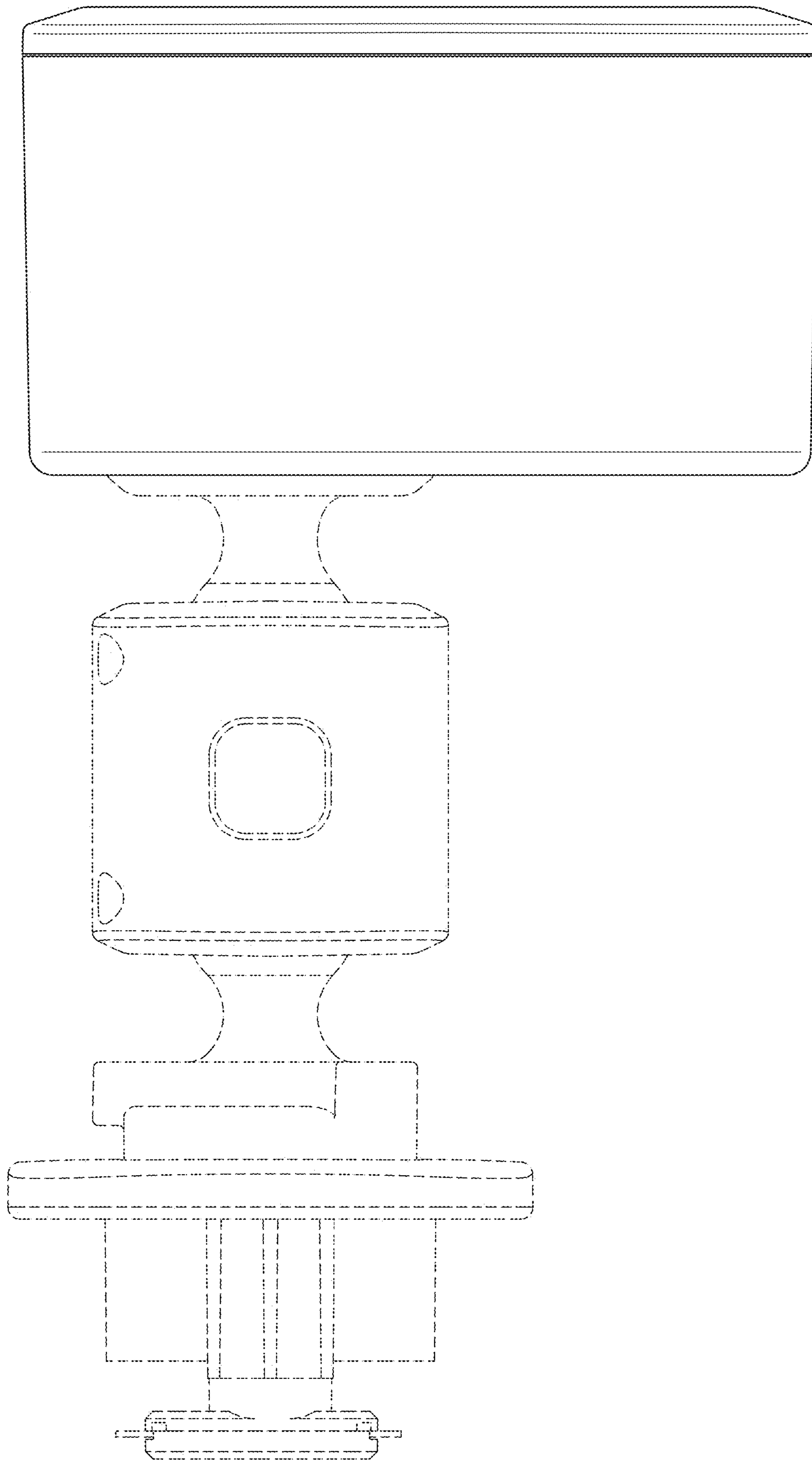


FIG. 4

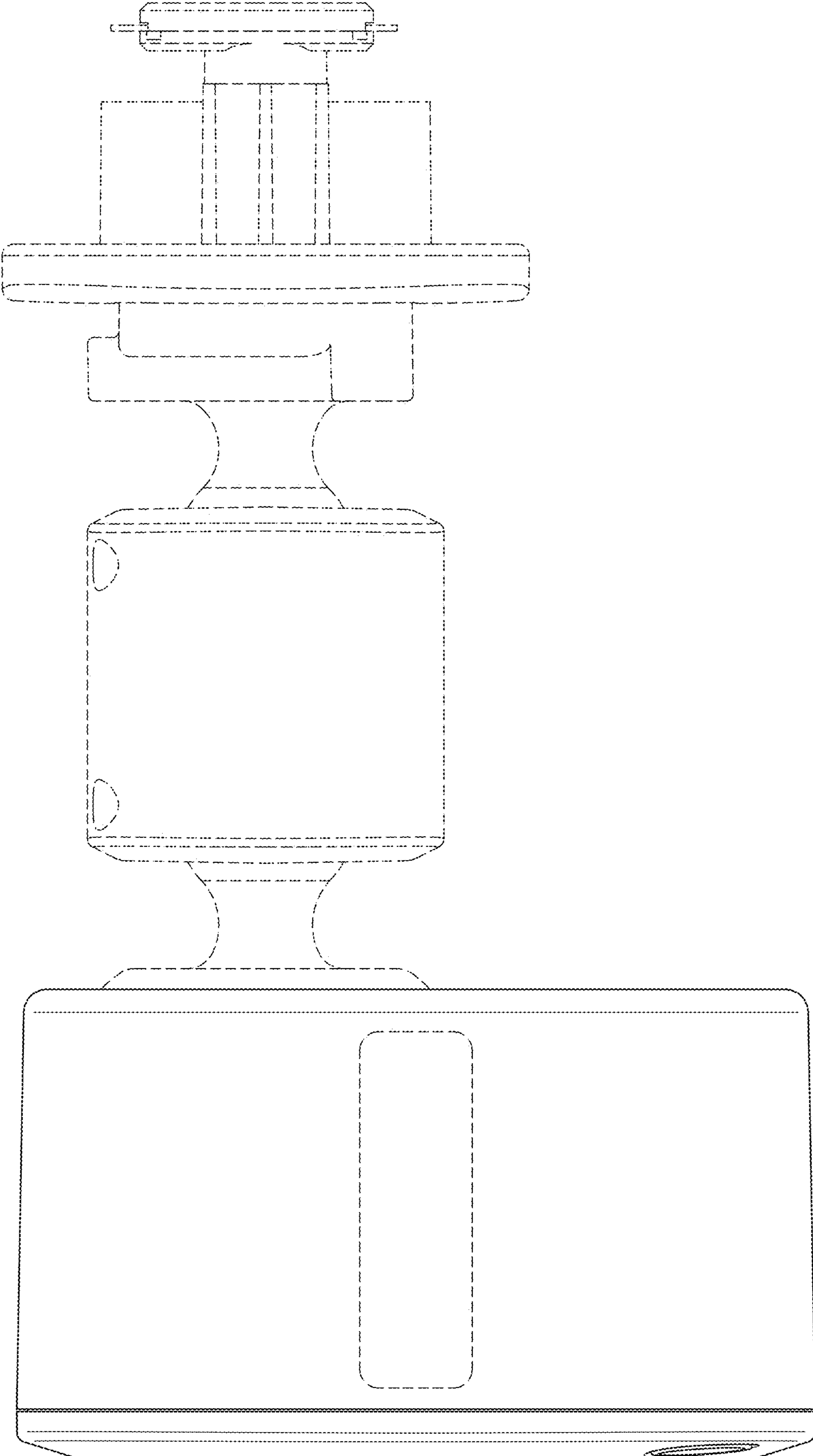


FIG. 5



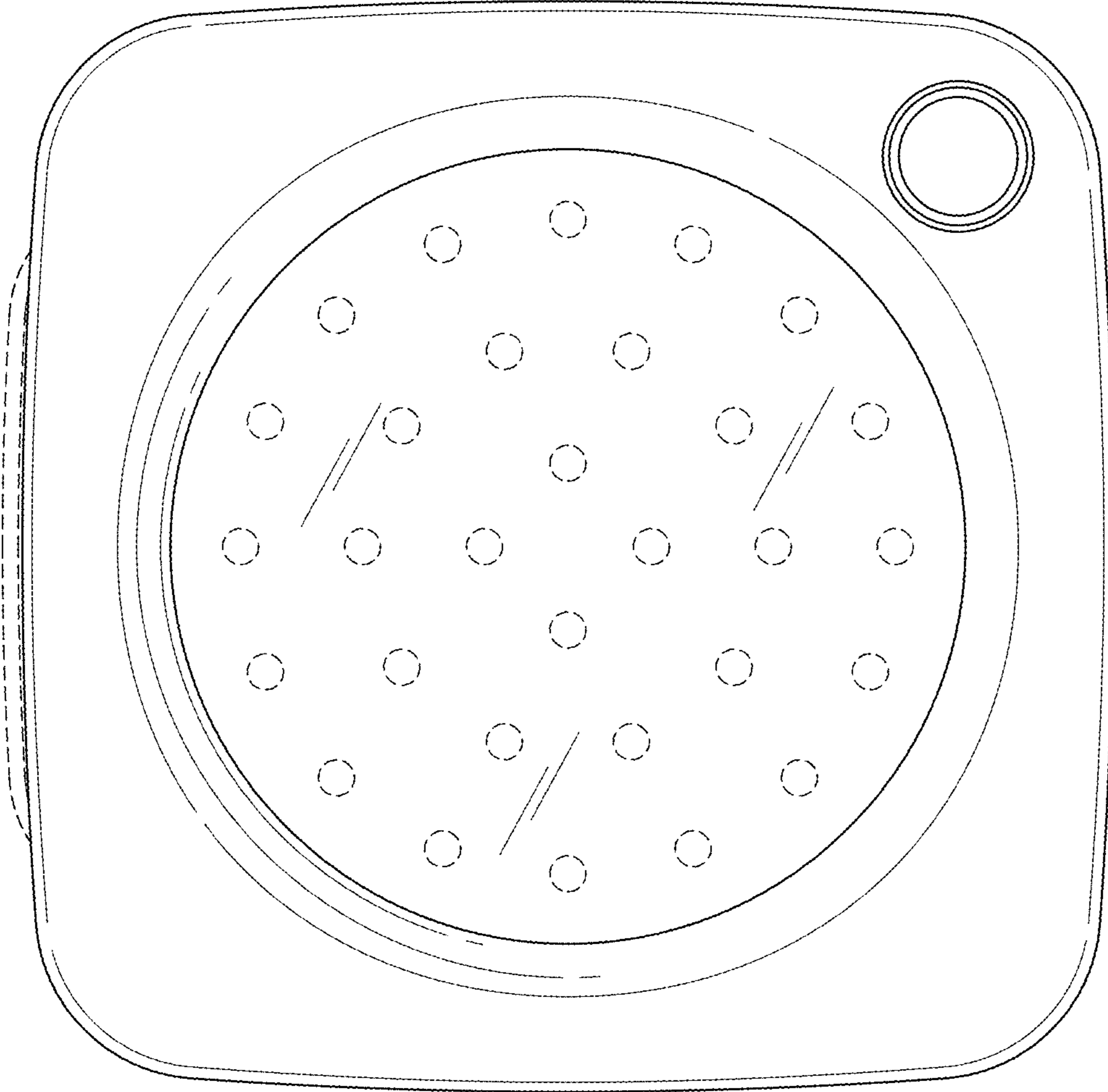


FIG. 6

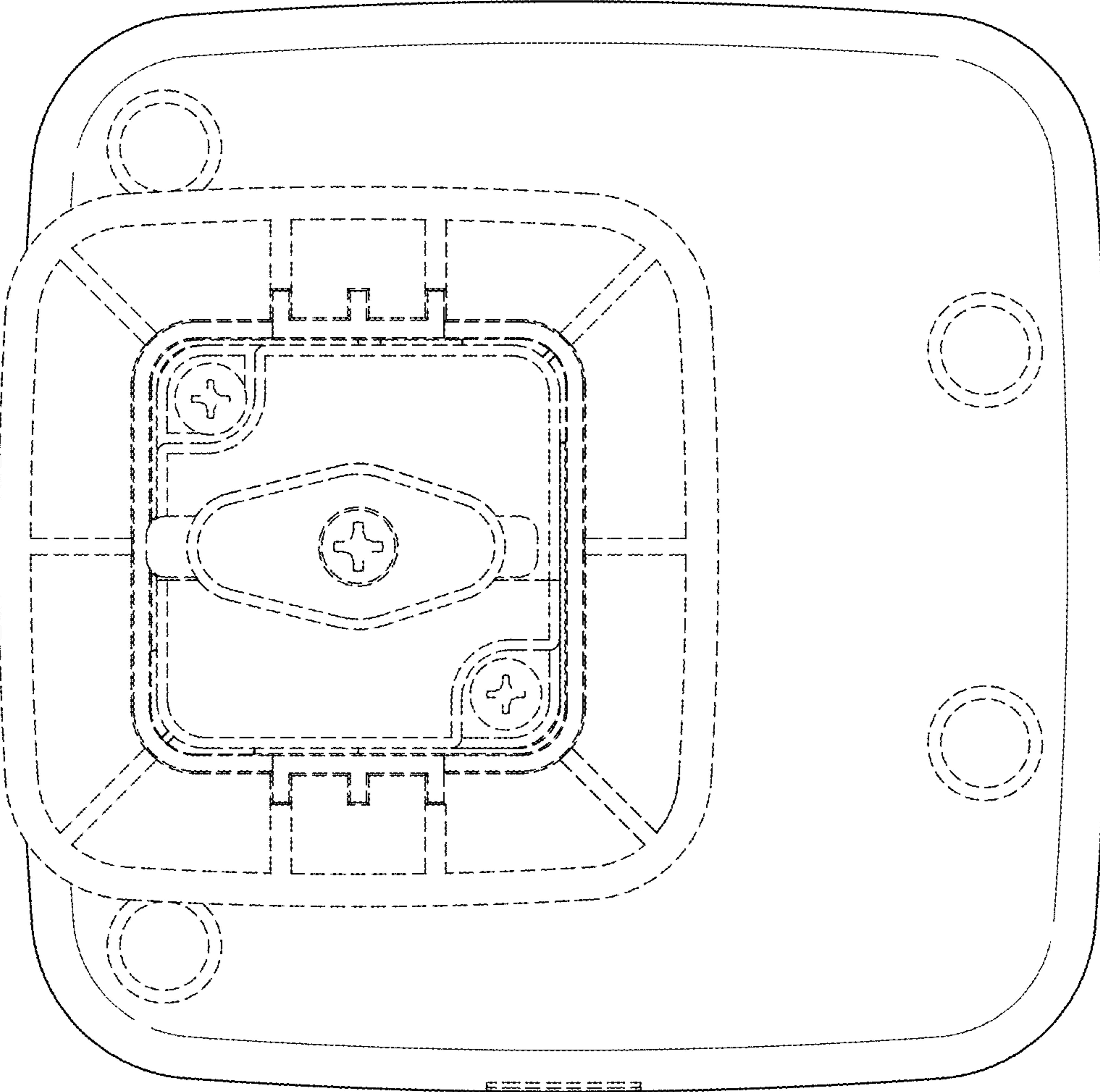


FIG. 7

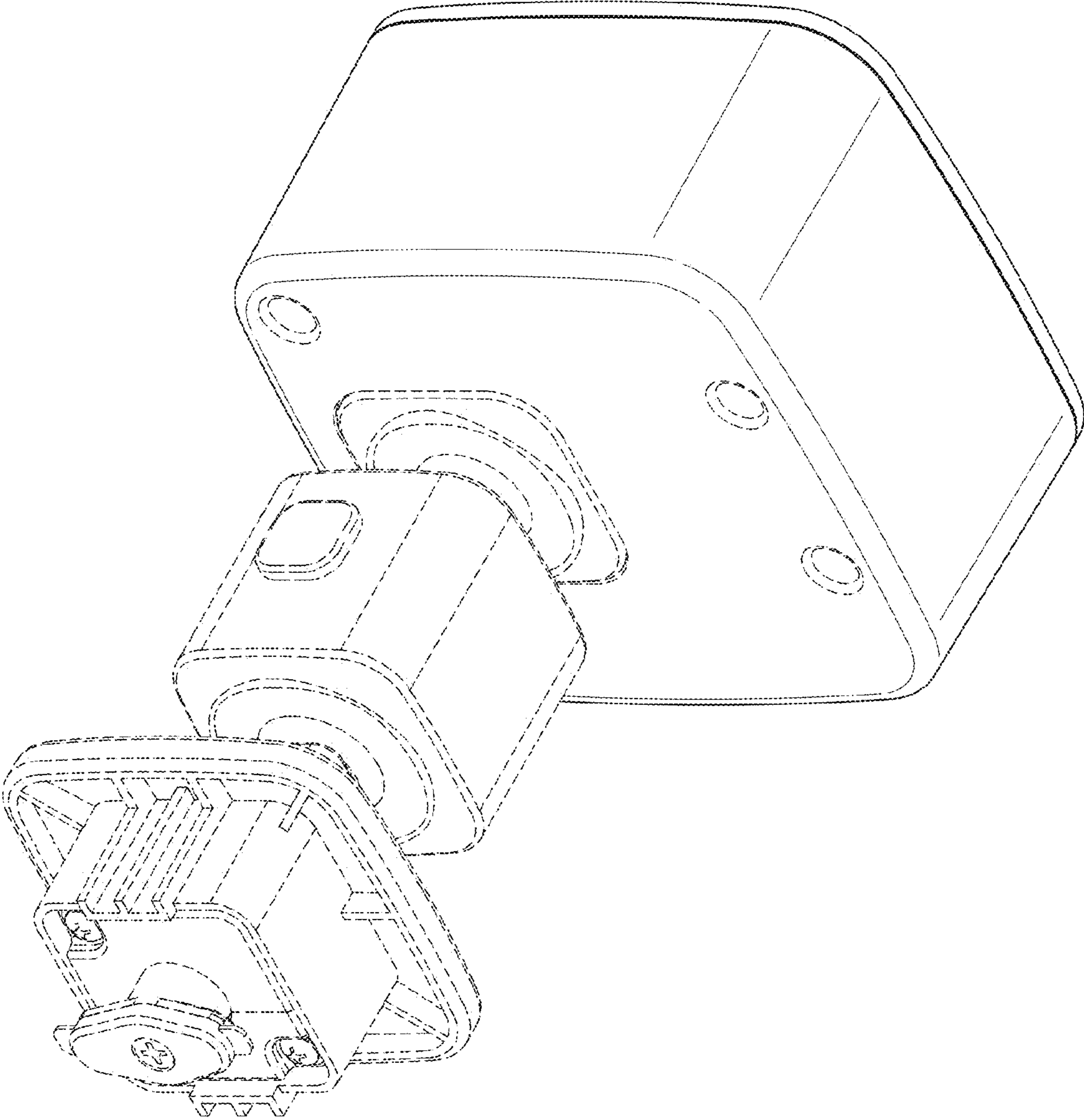


FIG. 8

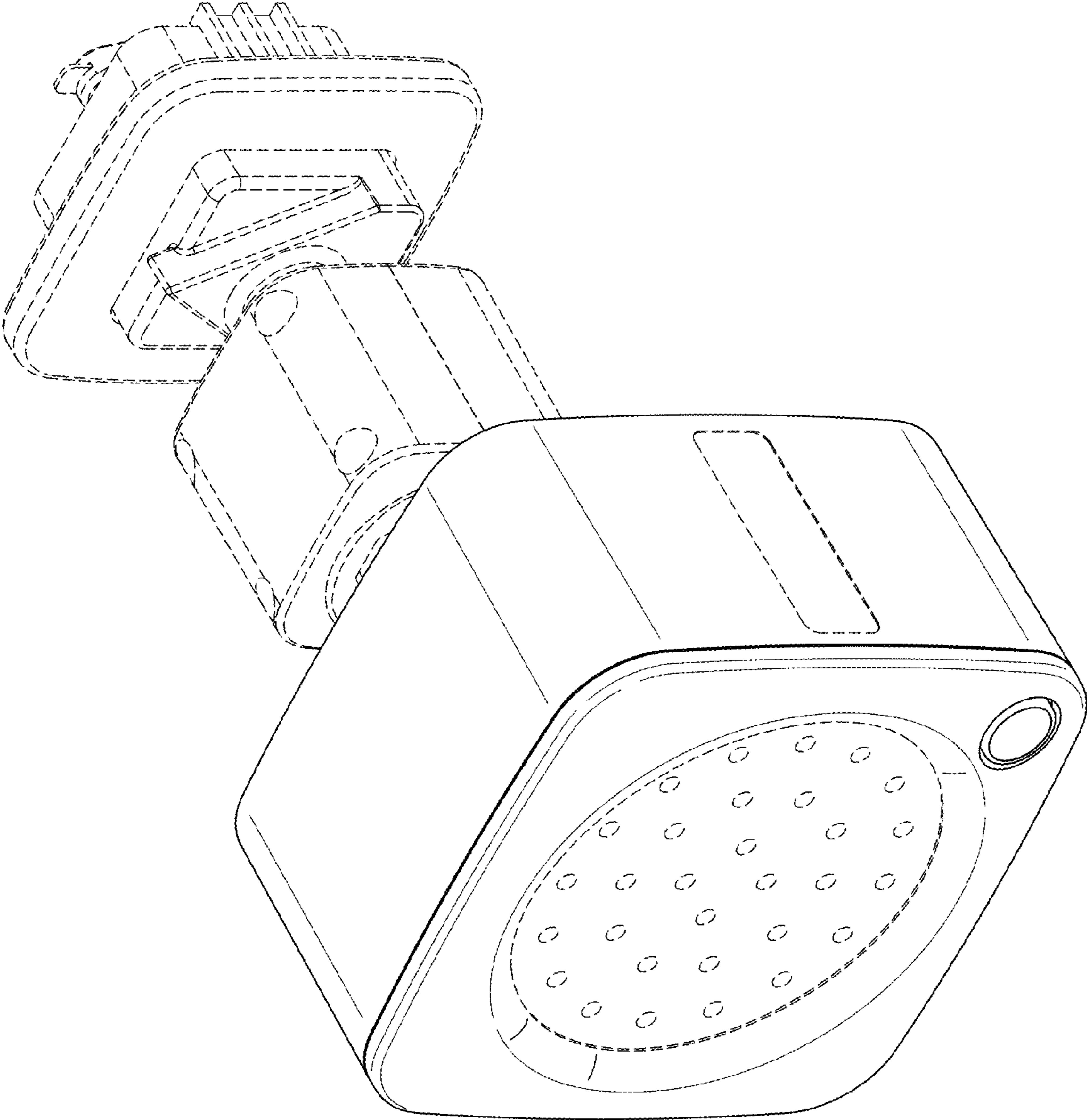


FIG. 9



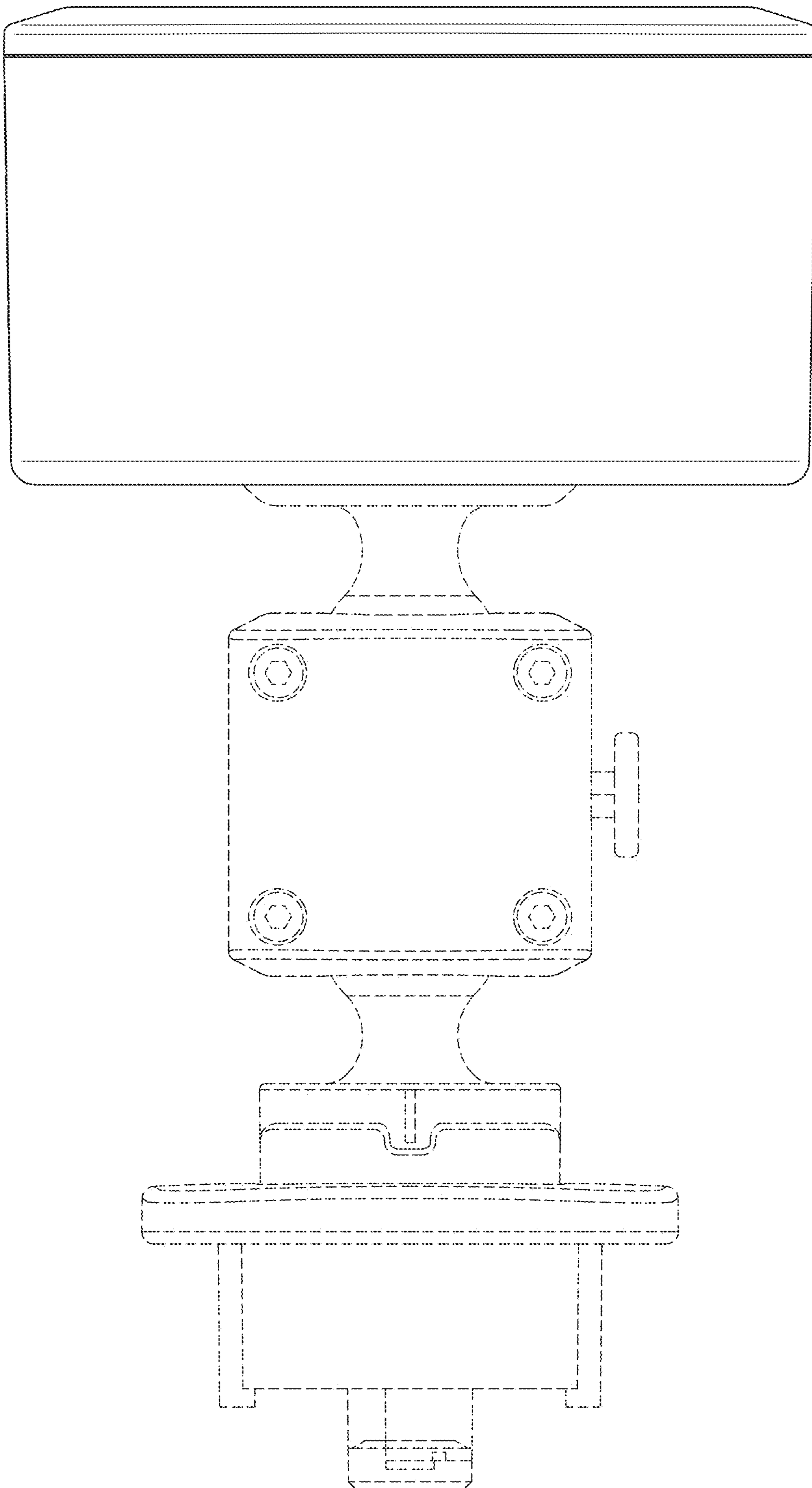


FIG. 10

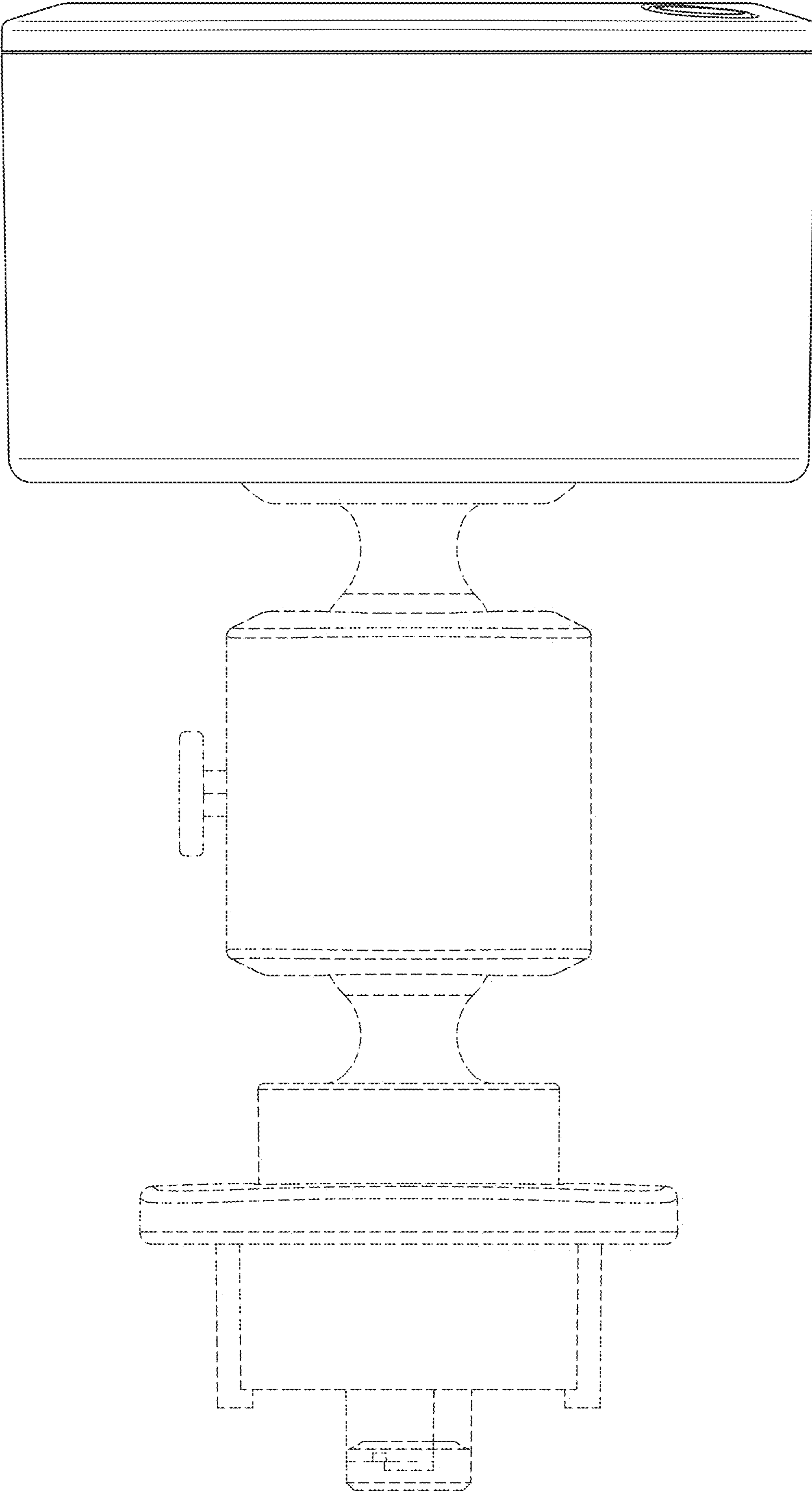


FIG. 11

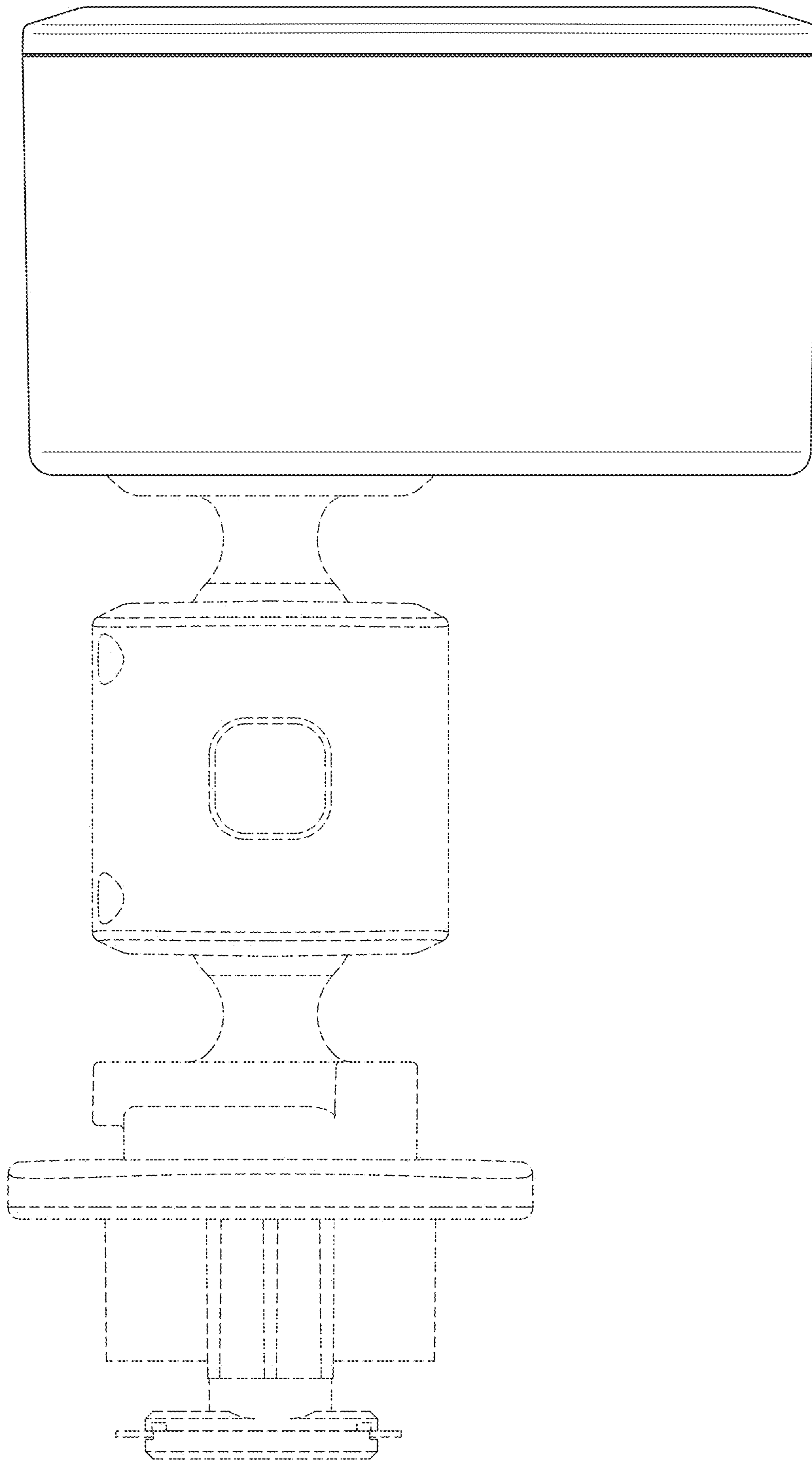


FIG. 12

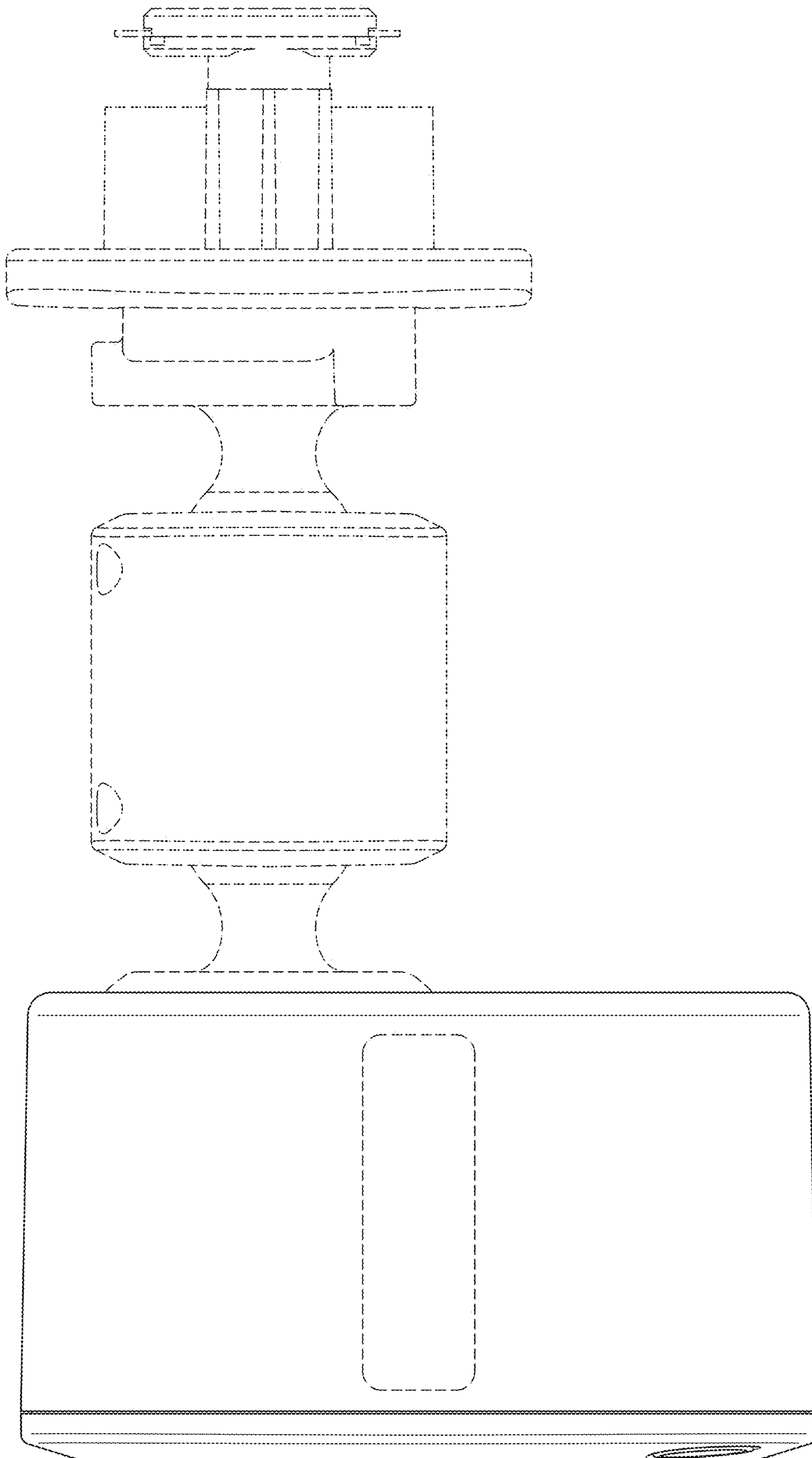


FIG. 13



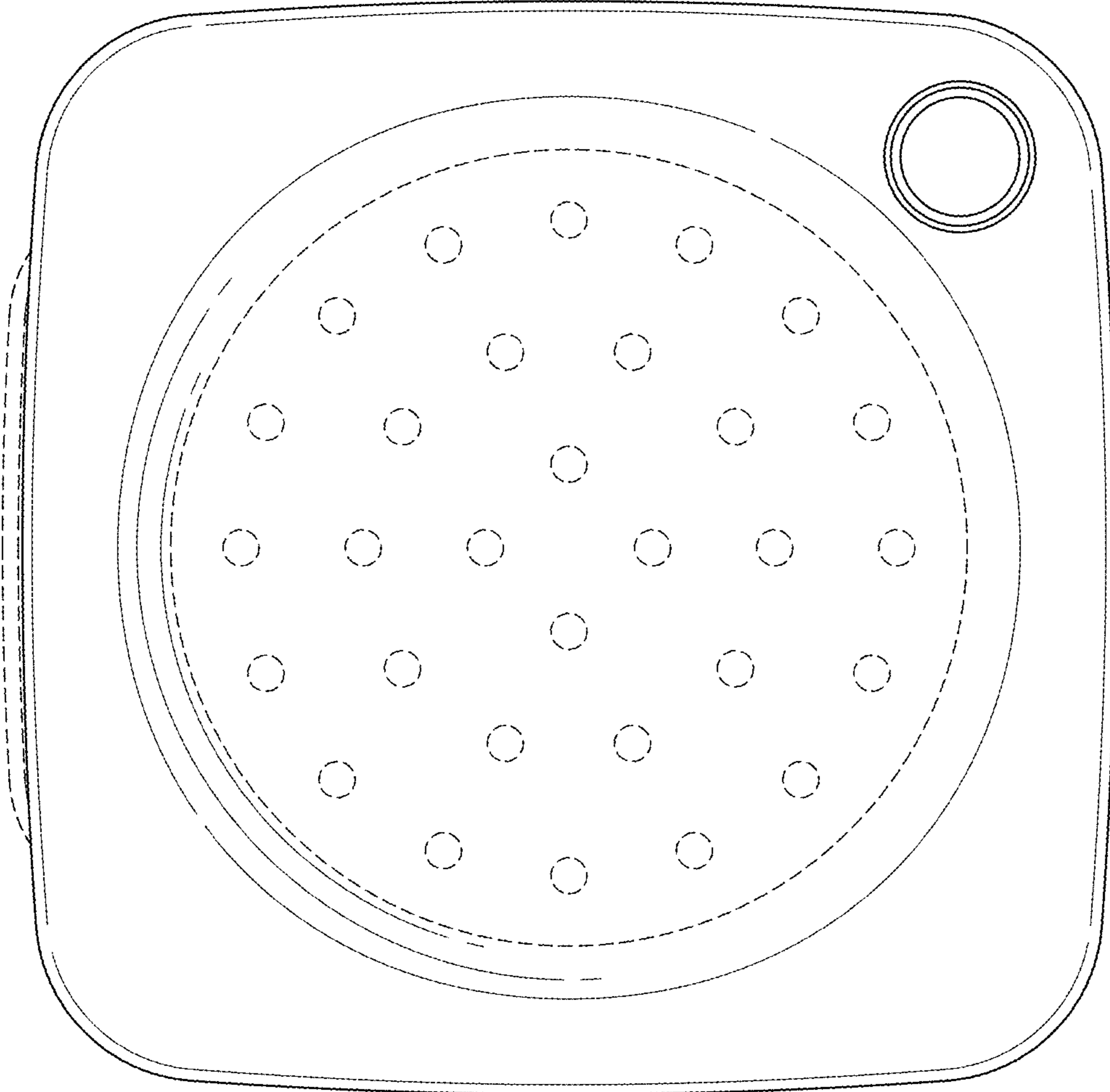


FIG. 14

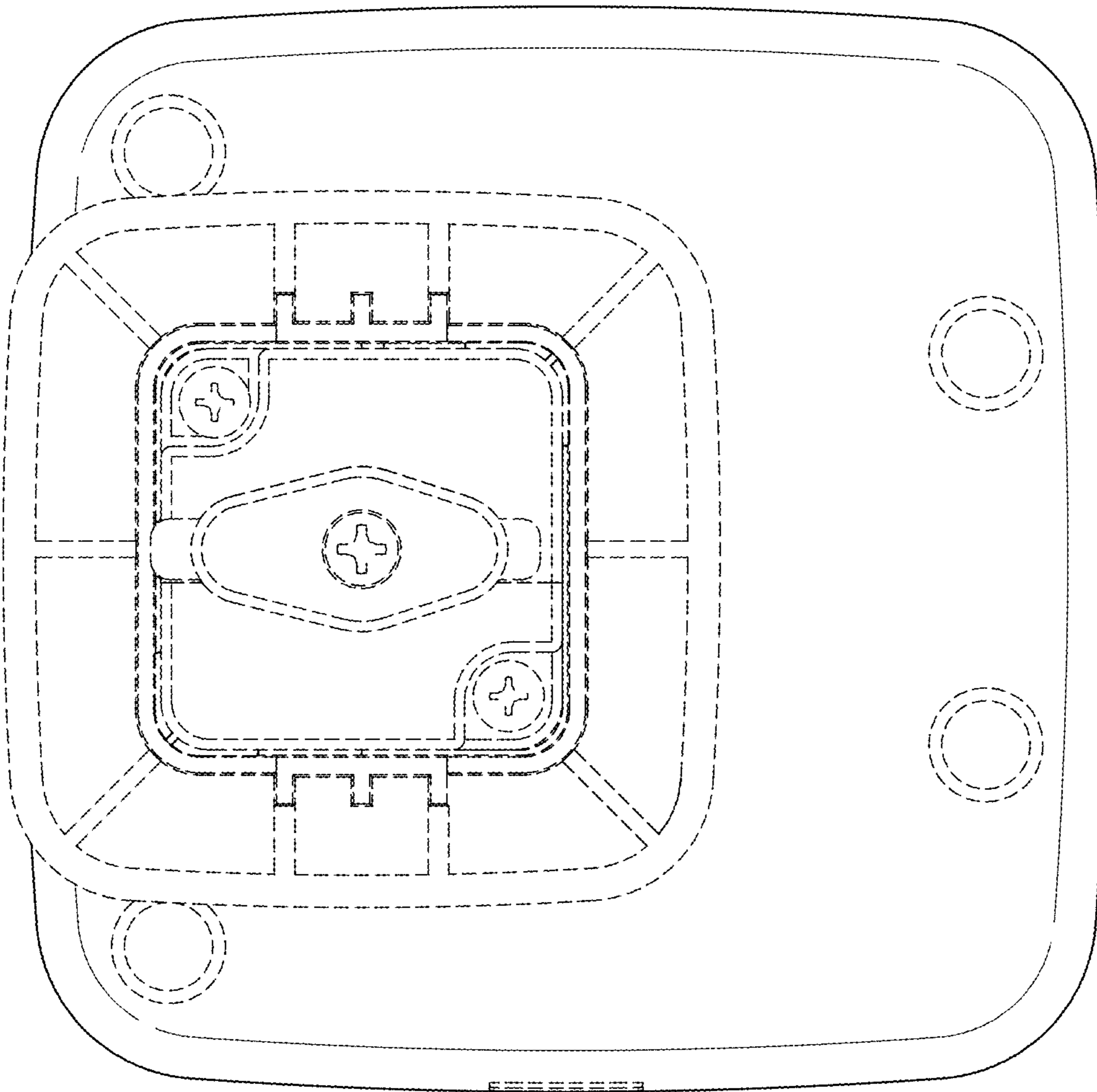


FIG. 15

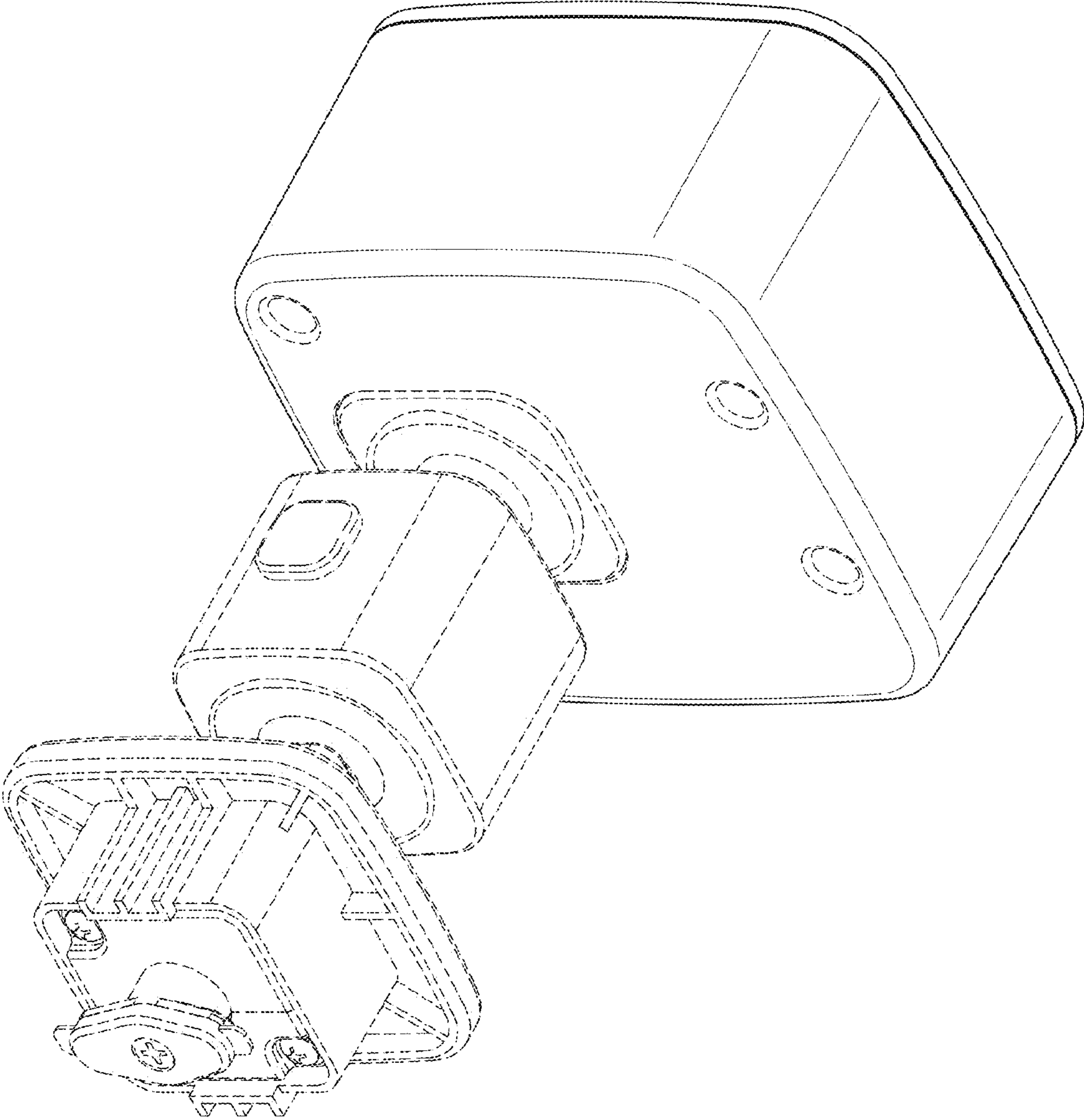


FIG. 16