



US00D871639S

(12) **United States Design Patent** (10) **Patent No.:** **US D871,639 S**
Prieto (45) **Date of Patent:** **** Dec. 31, 2019**

(54) **LIGHTING DEVICE**

(71) Applicant: **Alliance Sports Group, L.P.**, Grand Prairie, TX (US)

(72) Inventor: **Jimmy Prieto**, Grand Prairie, TX (US)

(73) Assignee: **Alliance Sports Group, L.P.**, Grand Prairie, TX (US)

(**) Term: **15 Years**

(21) Appl. No.: **29/657,795**

(22) Filed: **Jul. 25, 2018**

(51) **LOC (12) Cl.** **26-02**

(52) **U.S. Cl.**
USPC **D26/49**

(58) **Field of Classification Search**
USPC D26/37-51
CPC F21L 2003/00; F21L 4/00; F21L 4/005;
F21L 4/02; F21L 4/025; F21L 4/027;
F21L 4/04; F21L 4/08; F21L 2005/00;
F21L 7/00; F21L 11/00; F21L 13/00;
F21L 13/04; F21L 13/08; F21L 14/02;
F21L 17/00; F21L 19/00; F21L 25/00
See application file for complete search history.

(56) **References Cited**

U.S. PATENT DOCUMENTS

D445,521 S *	7/2001	Israel	D26/46
D630,356 S *	1/2011	Robinson	D26/49
D639,476 S *	6/2011	Robinson	D26/49
D647,654 S *	10/2011	Li	D26/49
D656,261 S *	3/2012	Lee	D26/49
D670,418 S *	11/2012	Lee	D26/49
D703,358 S *	4/2014	Shiu	D26/49
D706,475 S *	6/2014	Lee	D26/49
D706,476 S *	6/2014	Lee	D26/49
D710,526 S *	8/2014	Lee	D26/49
D716,983 S *	11/2014	Ma	D26/49

D743,594 S *	11/2015	Scazziga	D26/37
D745,200 S *	12/2015	Inskeep	D26/49
9,303,832 B2 *	4/2016	Sun	F21L 4/04
D799,089 S *	10/2017	Green	D26/49
D802,192 S *	11/2017	Windom	D26/49
D802,195 S *	11/2017	Huang	D26/49
D806,295 S *	12/2017	Kang	D26/49
D823,510 S *	7/2018	Kunzendorf	D26/49
D827,894 S *	9/2018	Huang	D26/49

(Continued)

Primary Examiner — Lakiya G Rogers

Assistant Examiner — Carissa C Fitts

(74) *Attorney, Agent, or Firm* — Thorpe North & Western LLP

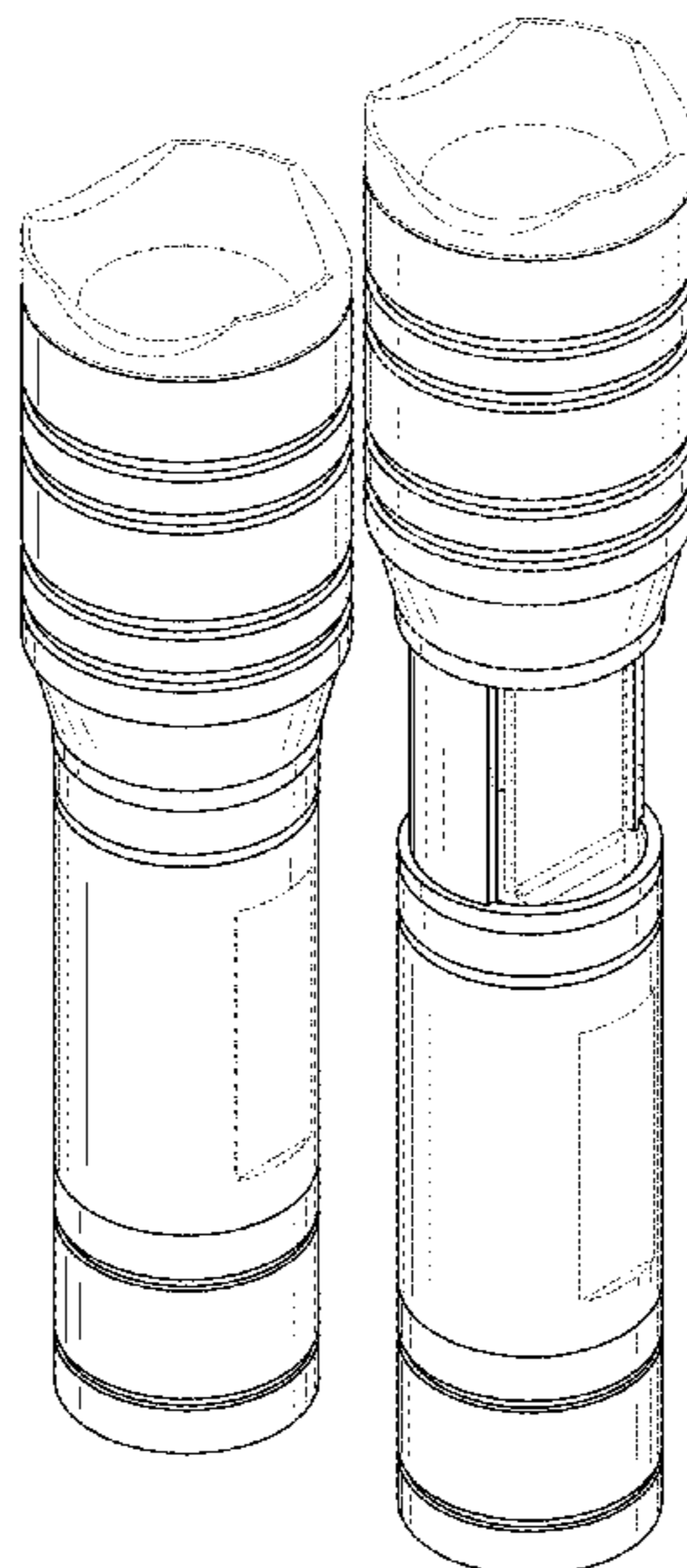
(57) **CLAIM**

The ornamental design for a lighting device, as shown and described.

DESCRIPTION

FIG. 1 is an elevated, perspective view of the lighting device in a first configuration in accordance with my invention; FIG. 2 is a bottom perspective view thereof; FIG. 3 is a front view of the lighting device shown in FIG. 1; FIG. 4 is a back view of the lighting device shown in FIG. 1; FIG. 5 is a side view of FIG. 1; FIG. 6 is an opposite view of FIG. 5; FIG. 7 is a top view of FIG. 1; FIG. 8 is a bottom view of FIG. 1; FIG. 9 is an elevated, perspective view of the lighting device in a second configuration; FIG. 10 is a front view of the lighting device shown in FIG. 9; and, FIG. 11 is a side view of FIG. 10. The broken lines shown represent portions of the article not claimed and form no part of the claimed design.

1 Claim, 6 Drawing Sheets



(56)

References Cited

U.S. PATENT DOCUMENTS

2003/0147237 A1* 8/2003 Halasz F21L 4/027
362/187

* cited by examiner

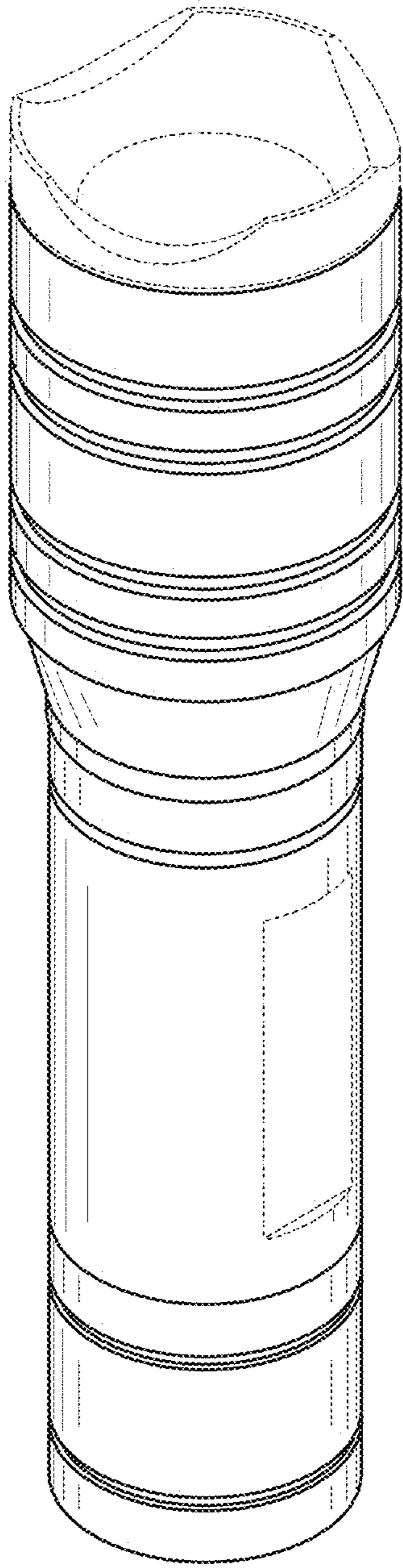


FIG. 1

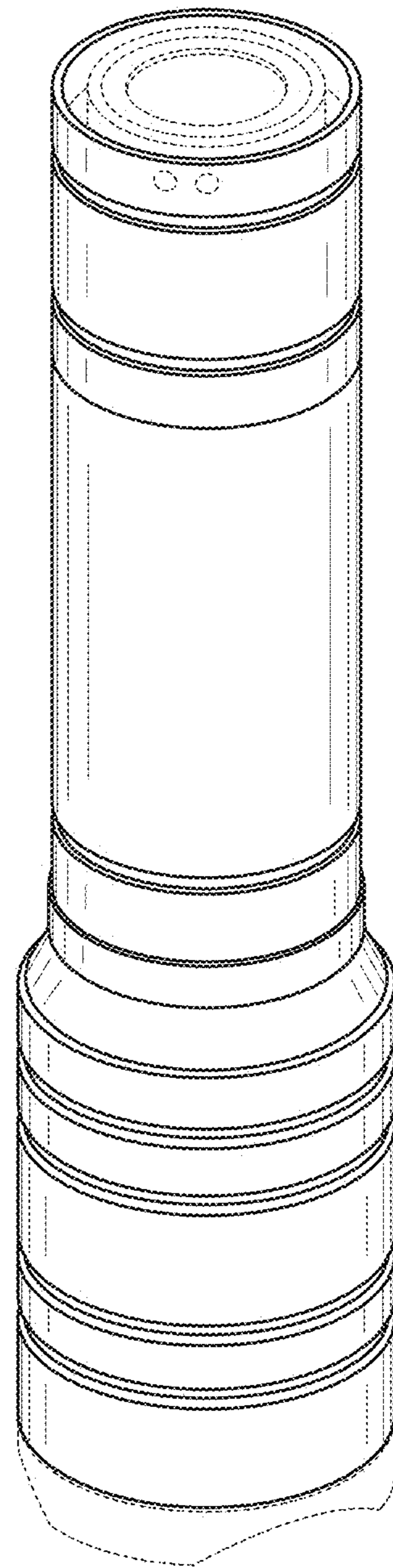


FIG. 2

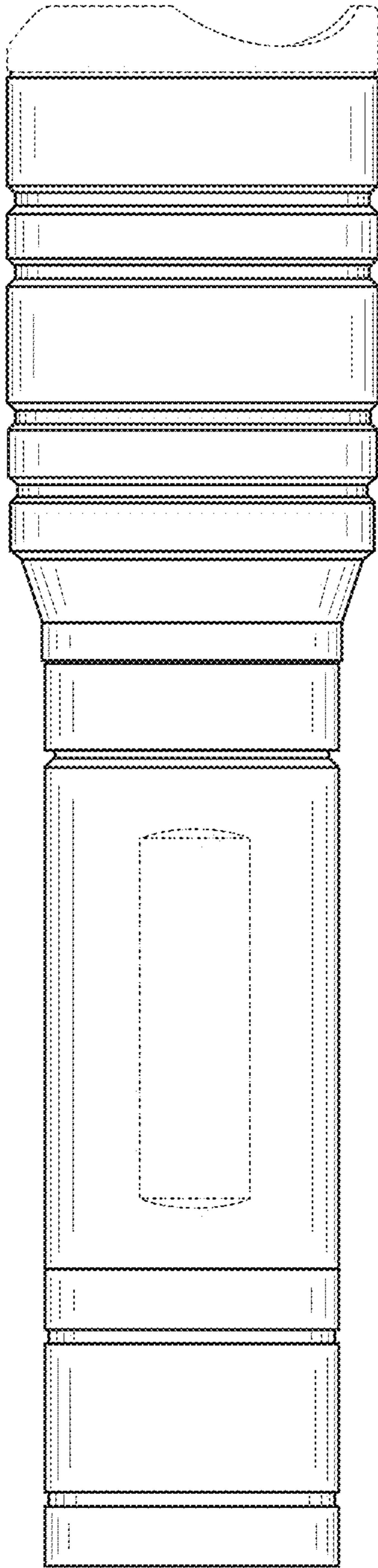


FIG. 3

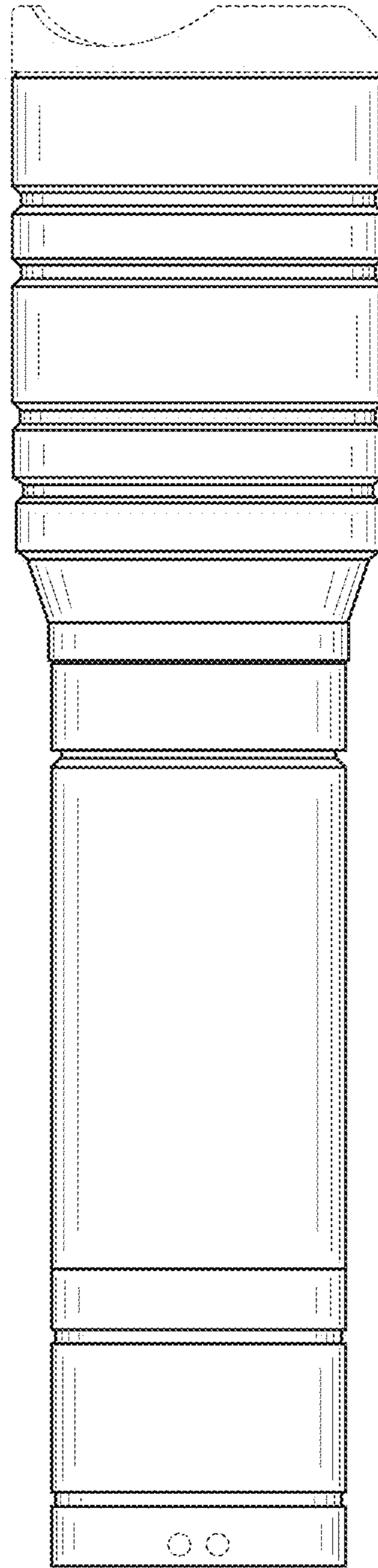


FIG. 4

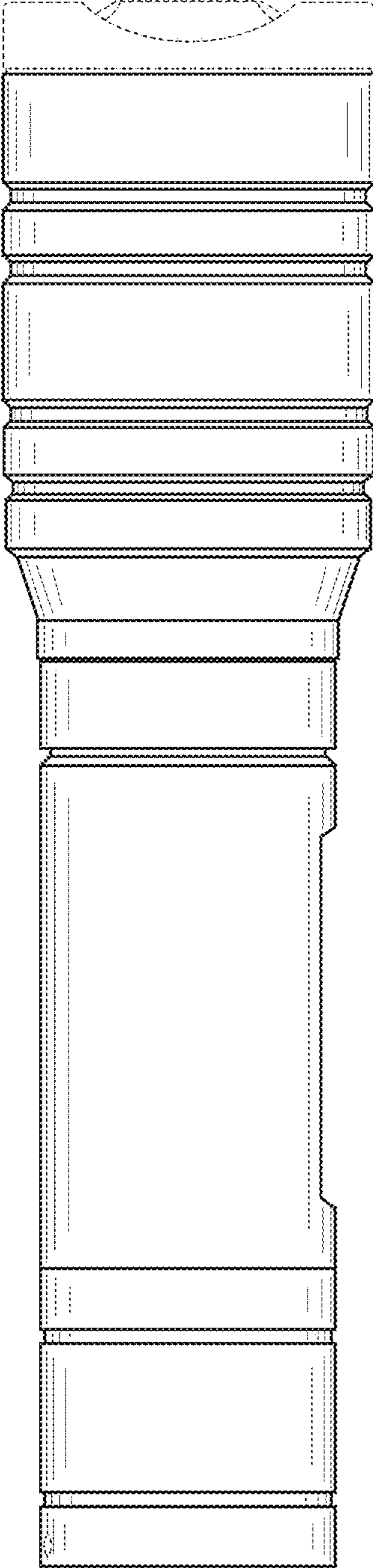


FIG. 5

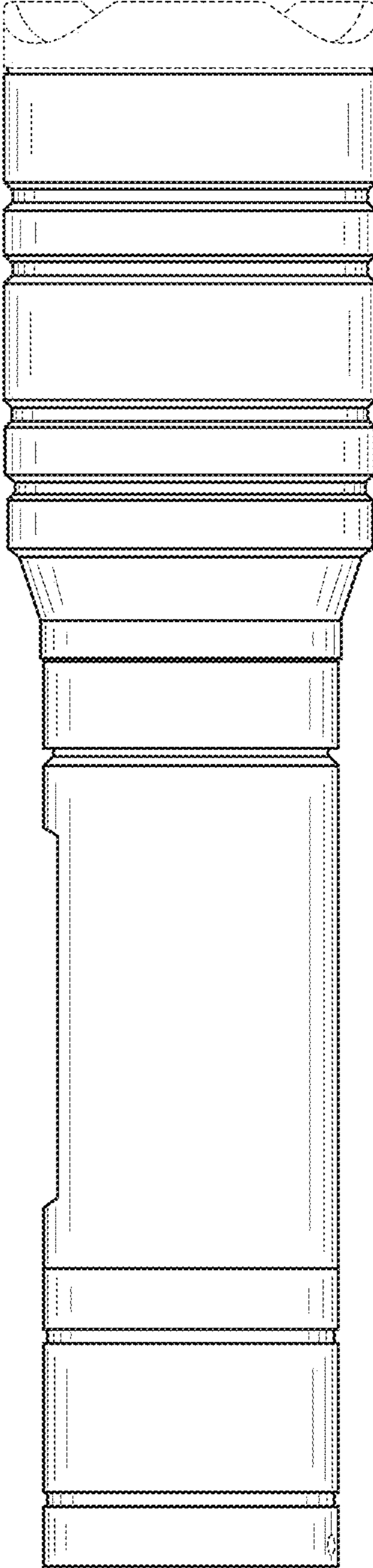


FIG. 6

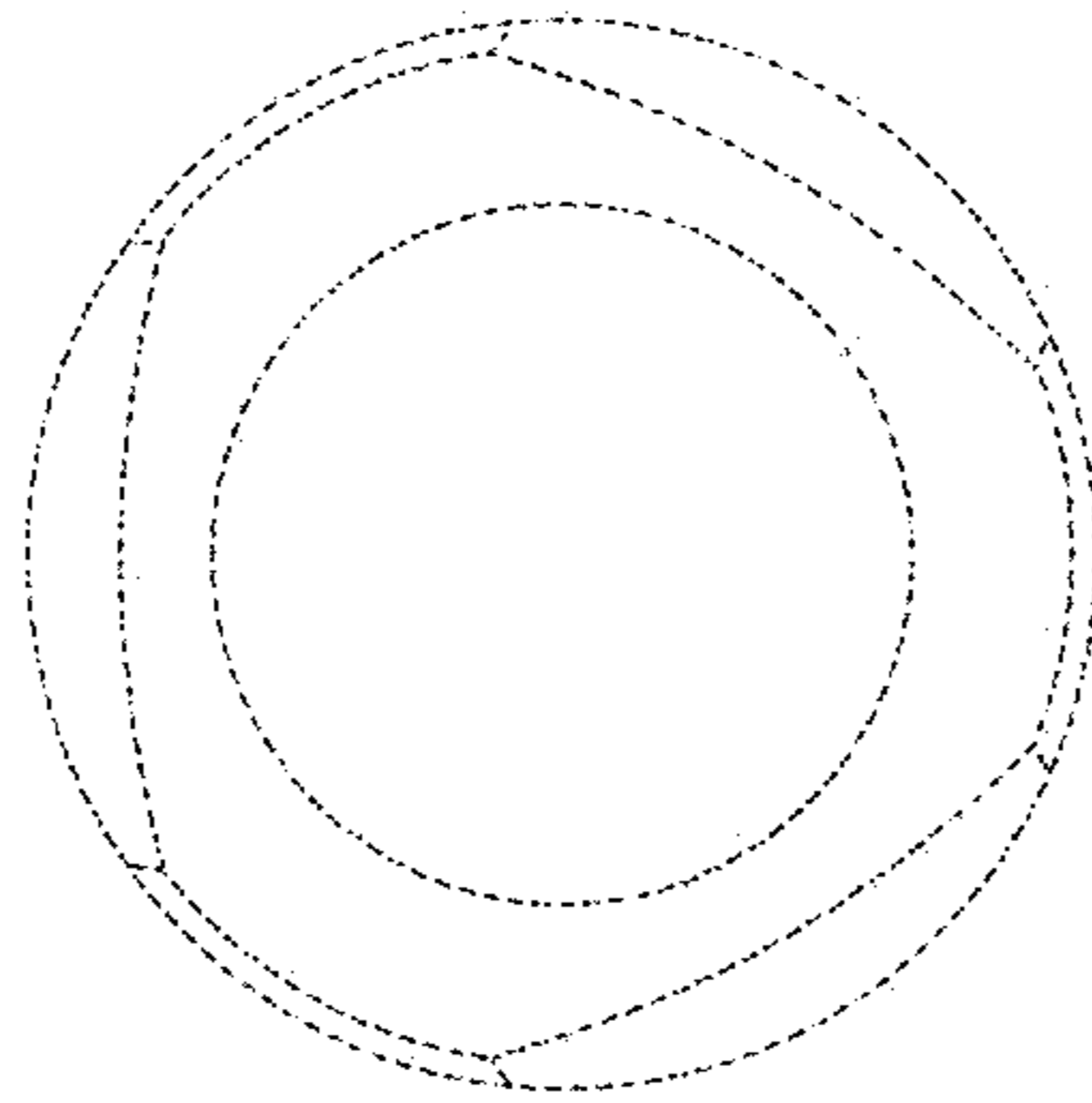


FIG. 7

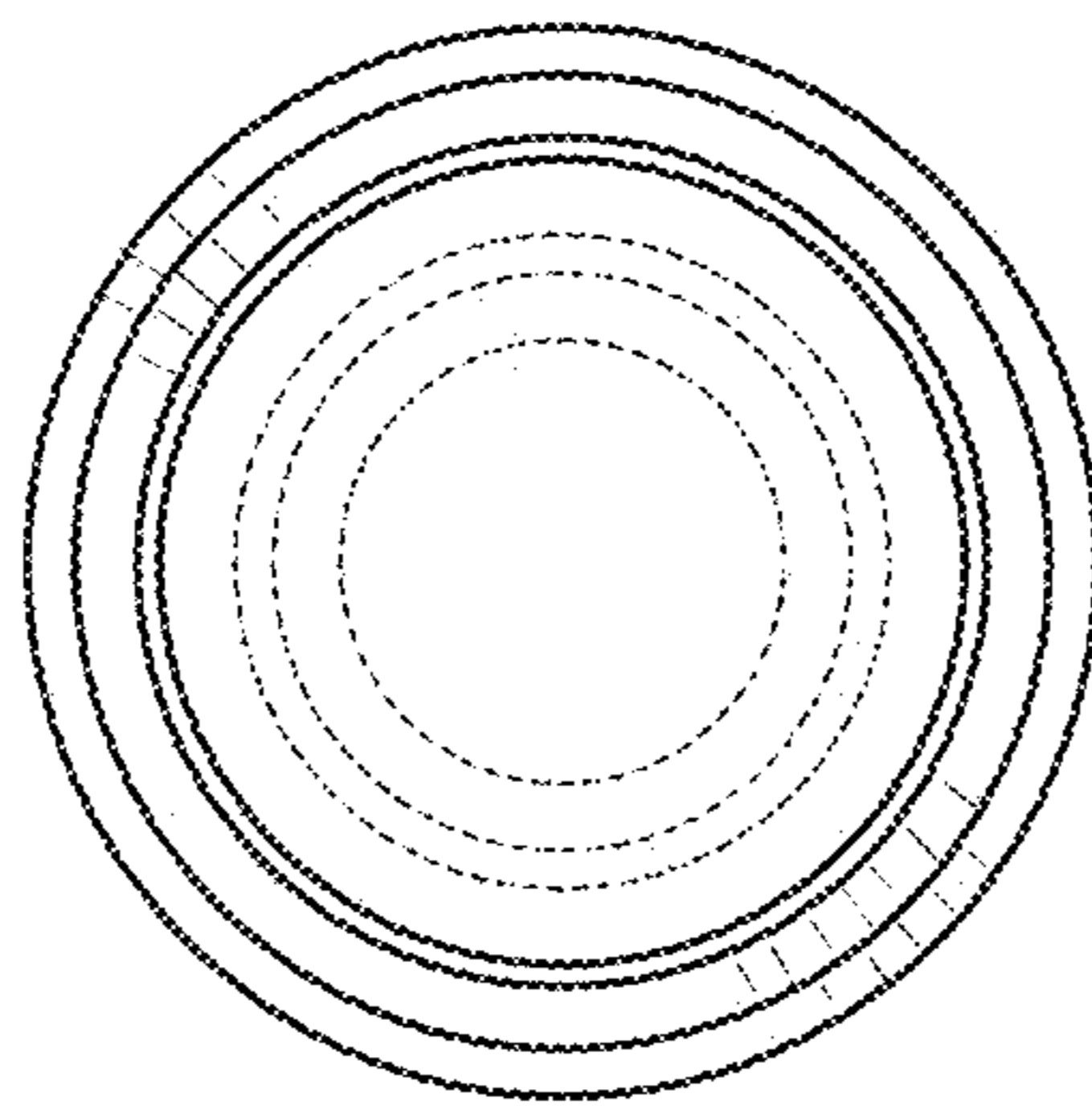


FIG. 8

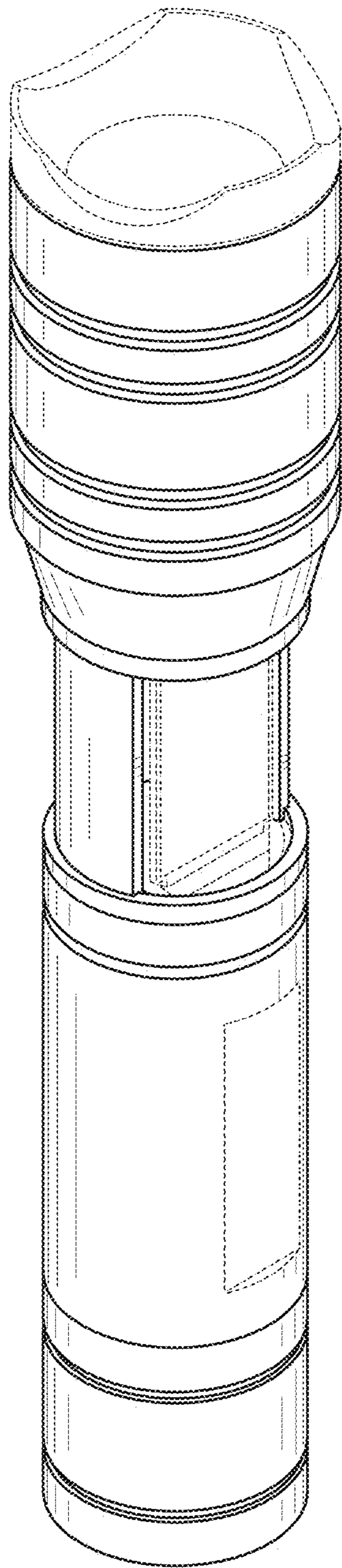


FIG. 9

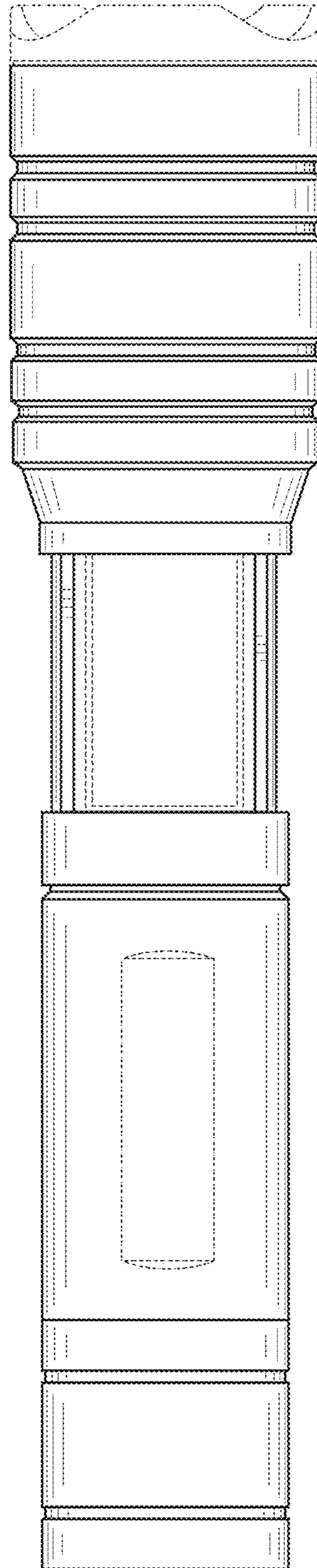


FIG. 10

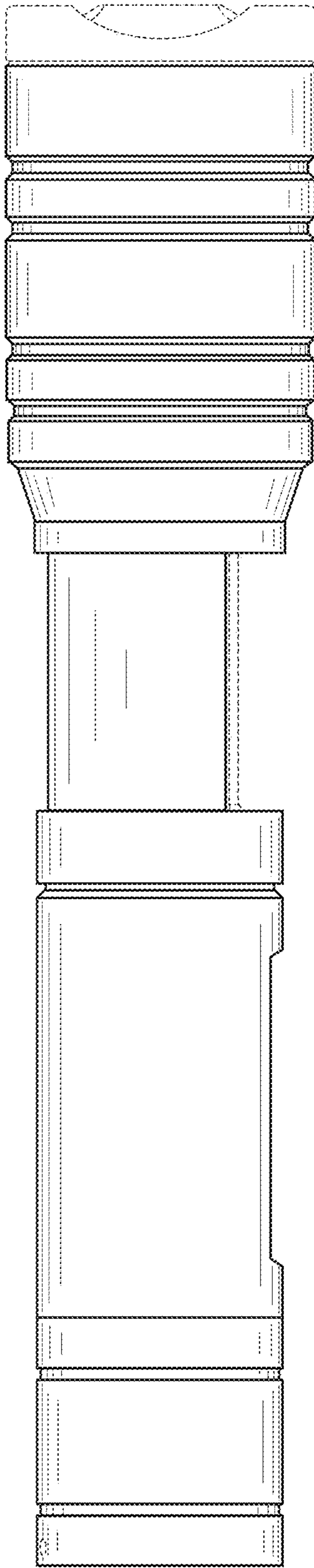


FIG. 11