



US00D871638S

(12) **United States Design Patent**
Huang

(10) **Patent No.:** **US D871,638 S**

(45) **Date of Patent:** **** Dec. 31, 2019**

(54) **FLASHLIGHT**

(71) Applicant: **Lingbin Huang**, Guangdong (CN)

(72) Inventor: **Lingbin Huang**, Guangdong (CN)

(73) Assignee: **Maisichuang Science and Technology (Shenzhen) Co., Ltd**, Shenzhen (CN)

(**) Term: **15 Years**

(21) Appl. No.: **29/588,965**

(22) Filed: **Dec. 26, 2016**

(51) **LOC (12) Cl.** **26-02**

(52) **U.S. Cl.**
USPC **D26/49**

(58) **Field of Classification Search**
USPC D26/37, 38, 46, 49, 51
CPC F21L 2003/00; F21L 4/00; F21L 4/005;
F21L 4/02; F21L 4/025; F21L 4/027;
F21L 4/04; F21L 4/08; F21L 2005/00;
F21L 7/00; F21L 11/00; F21L 13/00;
F21L 13/04; F21L 13/08; F21L 14/02;
F21L 17/00; F21L 19/00
See application file for complete search history.

(56) **References Cited**

U.S. PATENT DOCUMENTS

D478,391 S * 8/2003 Saunders D26/49
D486,936 S * 2/2004 Shiu D26/49

D501,942 S * 2/2005 Saunders D26/37
D532,138 S * 11/2006 Wang D26/49
D549,376 S * 8/2007 Shiu D26/49
D554,281 S * 10/2007 Bushee D26/37
D564,116 S * 3/2008 Linardos D26/49
D629,545 S * 12/2010 Deguglimo D26/49
D659,272 S * 5/2012 Nguyen D26/49
D685,939 S * 7/2013 Cooper D26/49
D709,231 S * 7/2014 Nguyen D26/49
D709,234 S * 7/2014 Inskeep D26/49
D732,721 S * 6/2015 Popper D26/49

* cited by examiner

Primary Examiner — Lakiya G Rogers

Assistant Examiner — Carissa C Fitts

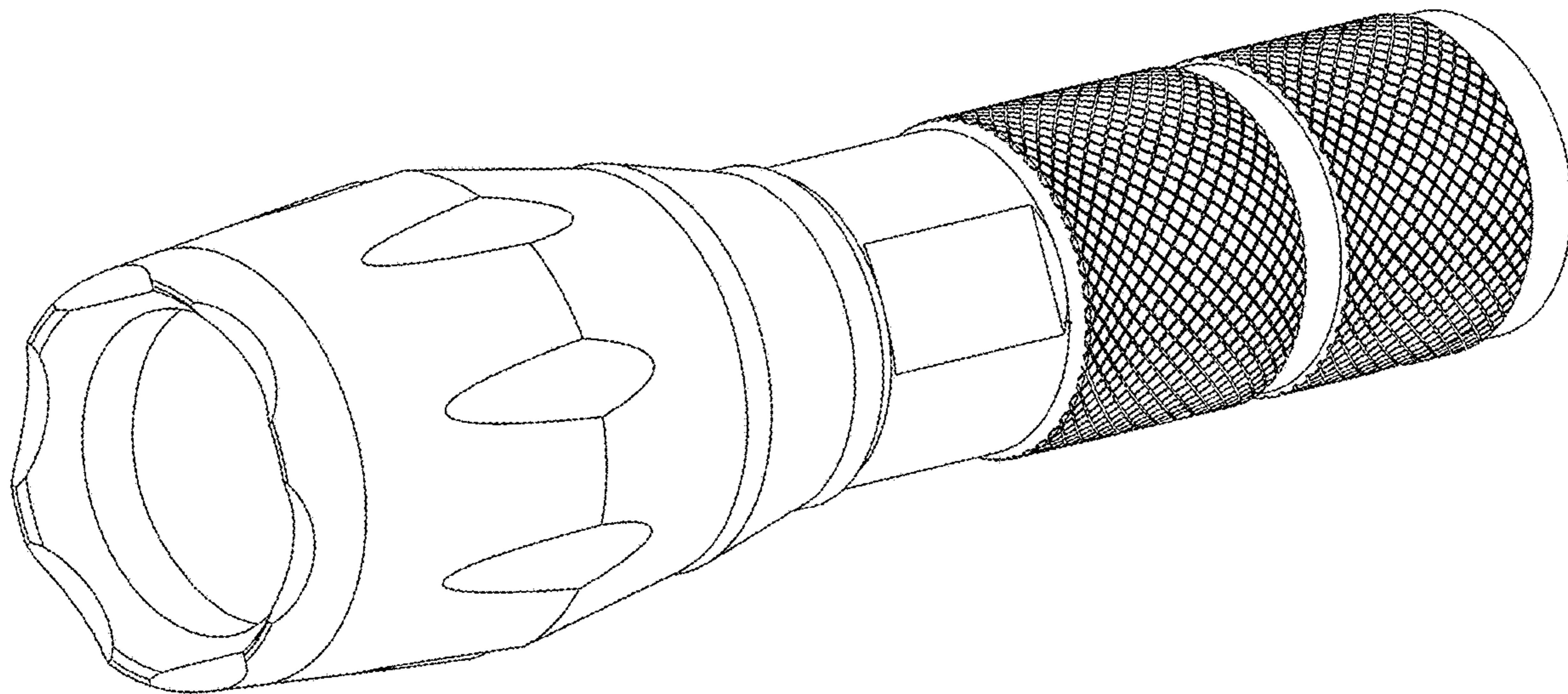
(57) **CLAIM**

What is claimed is the ornamental design for a flashlight, as shown and described.

DESCRIPTION

FIG. 1 is a front view thereof;
FIG. 2 is a back view thereof;
FIG. 3 is a left view thereof;
FIG. 4 is a right view thereof;
FIG. 5 is a top plan view thereof;
FIG. 6 is a bottom plan view thereof;
FIG. 7 is a perspective view thereof; and,
FIG. 8 is another perspective view thereof.
The broken lines show portions of the article not claimed and form no part of the claimed design.

1 Claim, 8 Drawing Sheets



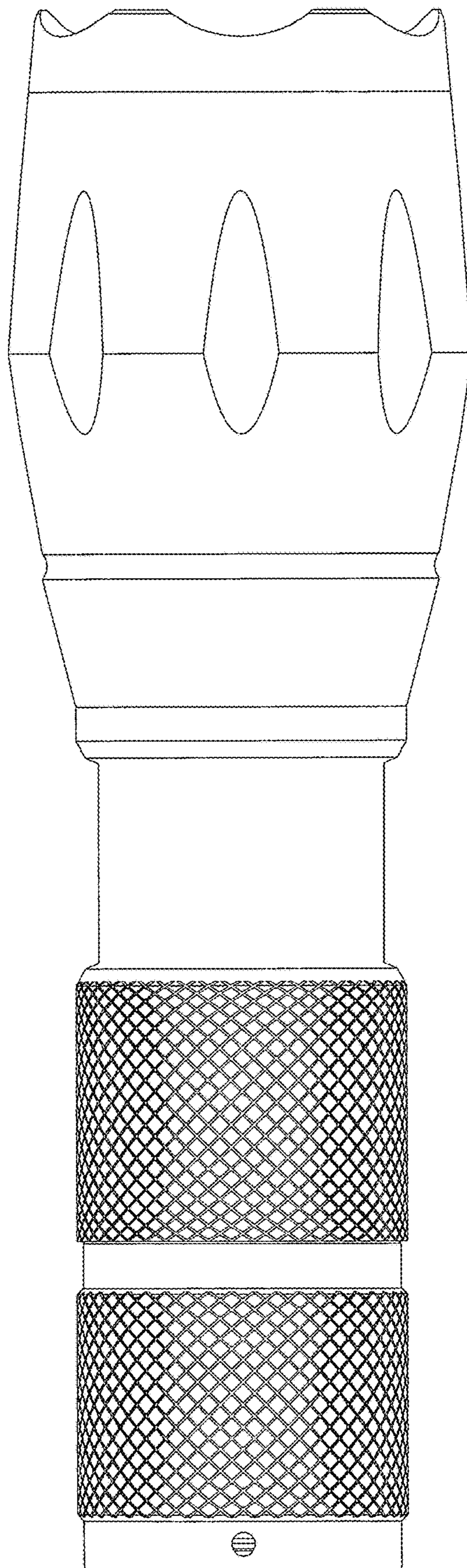


FIG.1

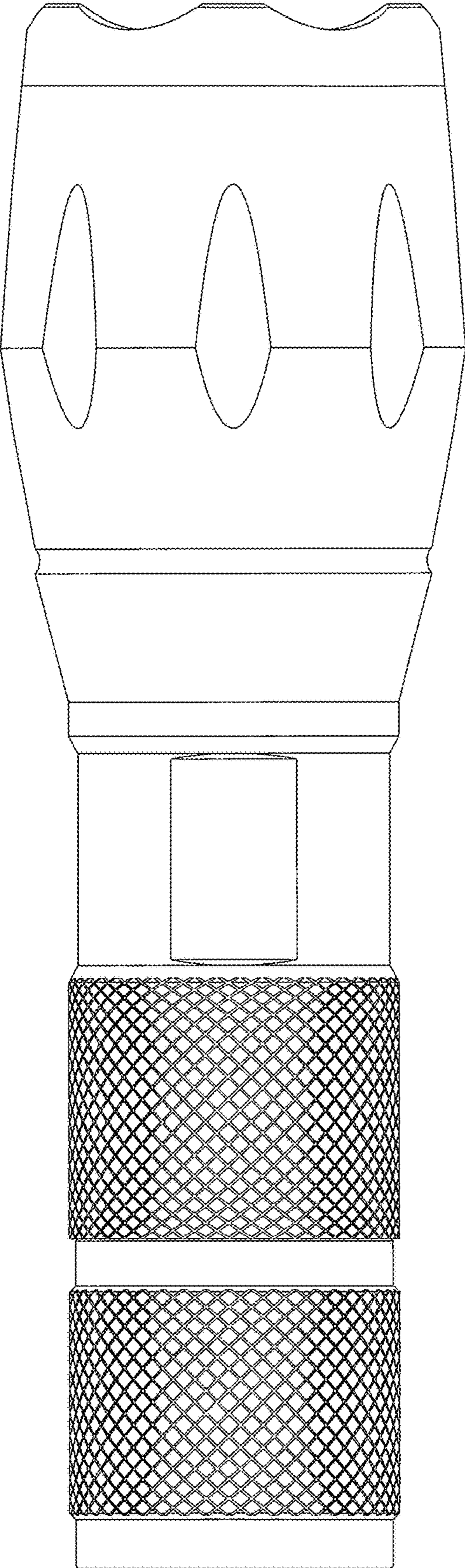


FIG.2

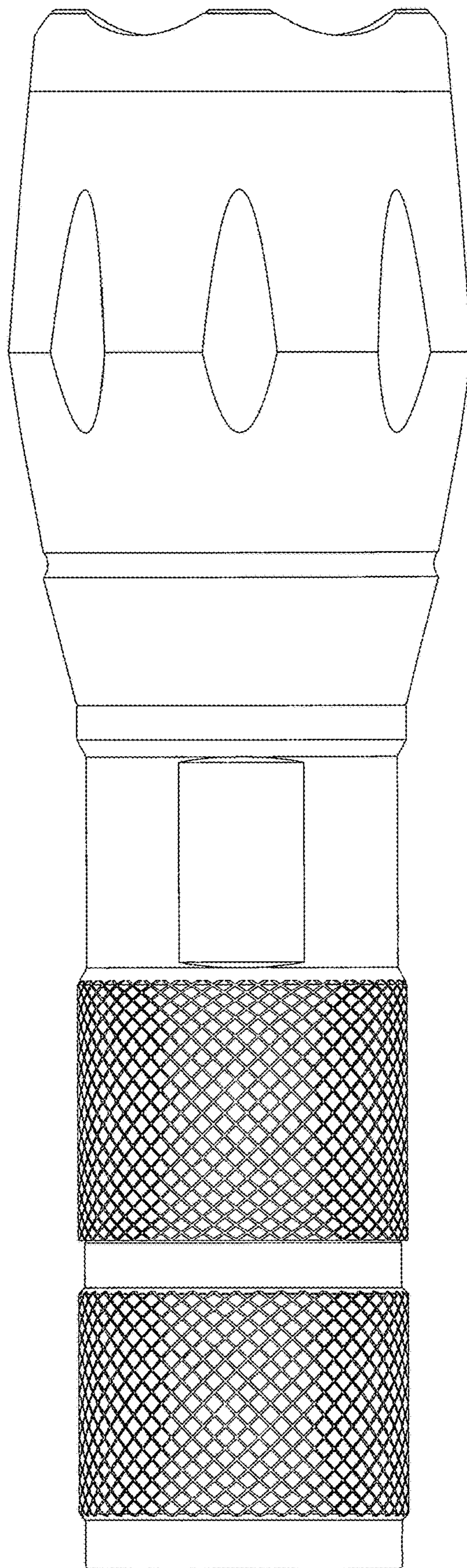


FIG. 3

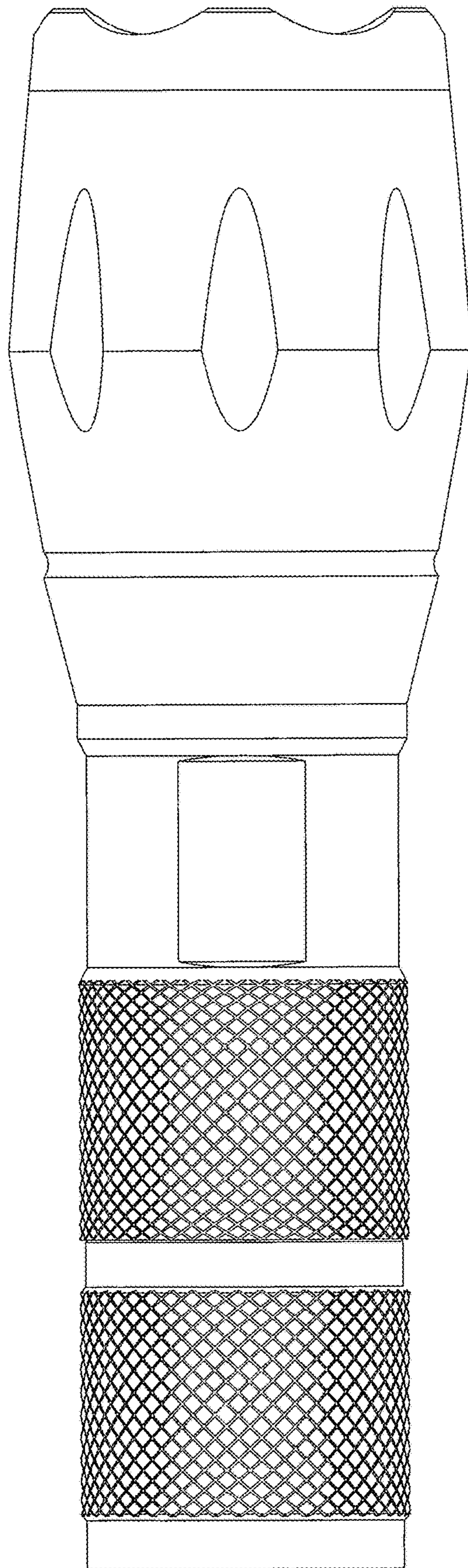


FIG.4

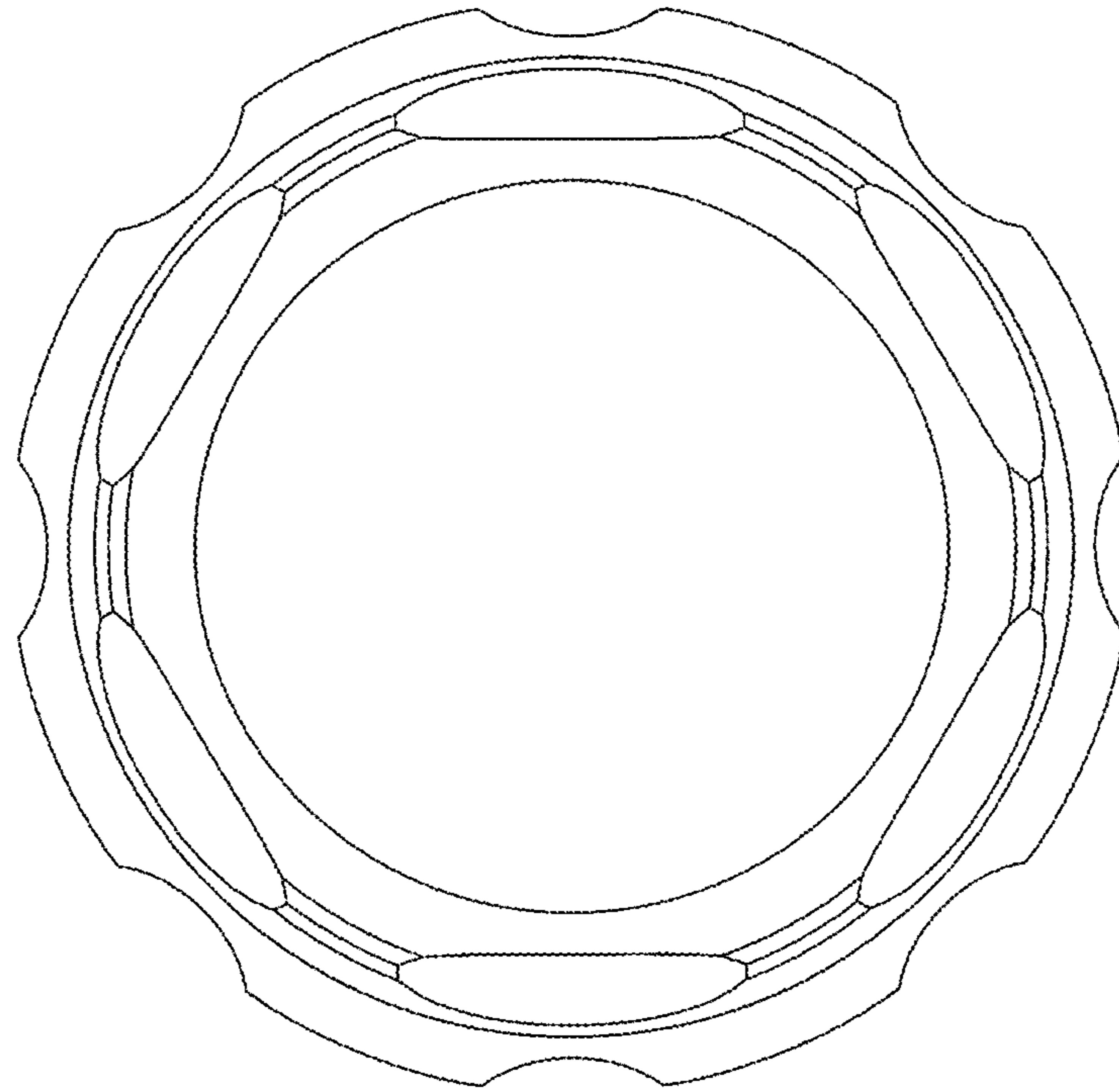


FIG.5

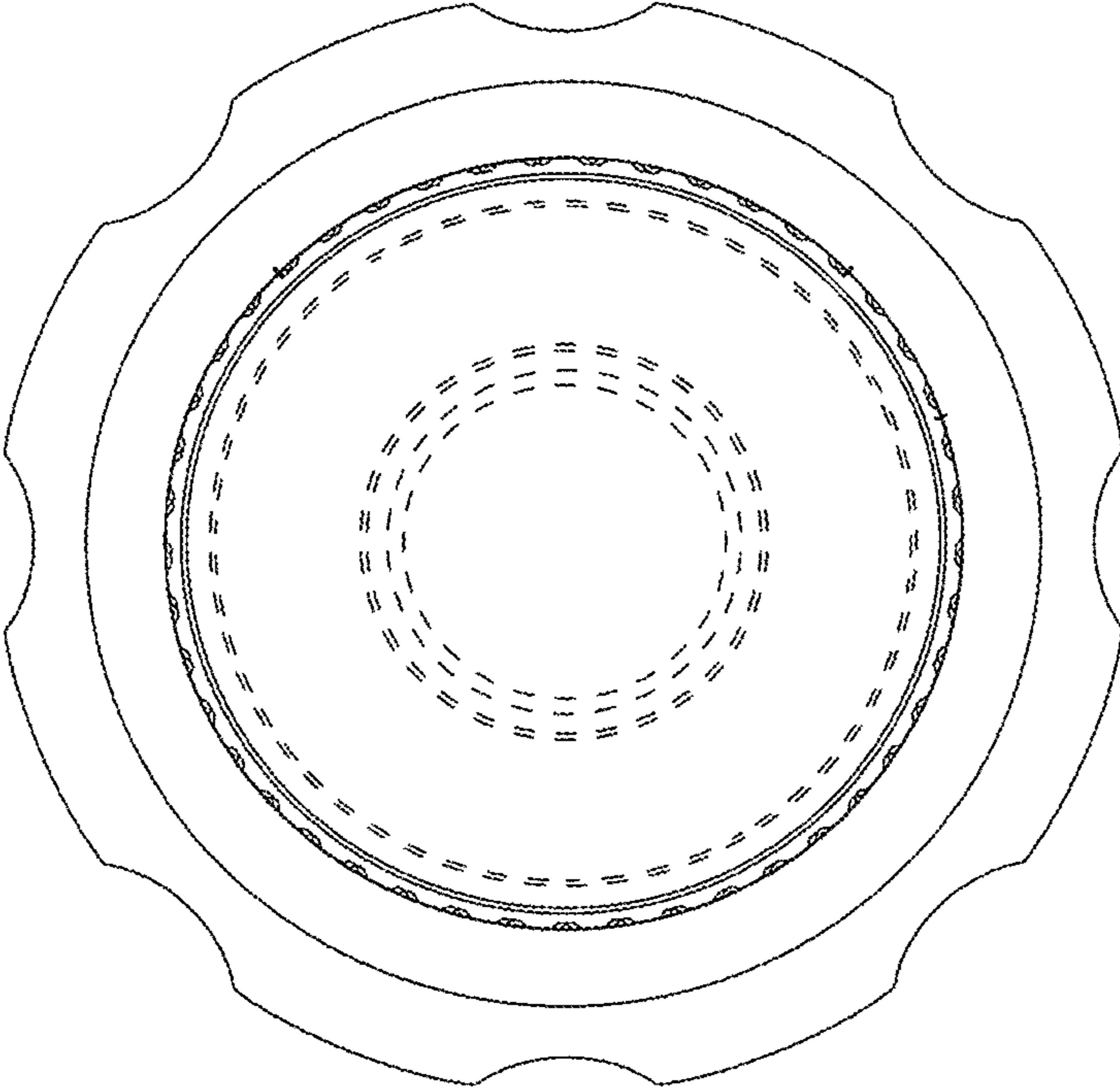


FIG.6

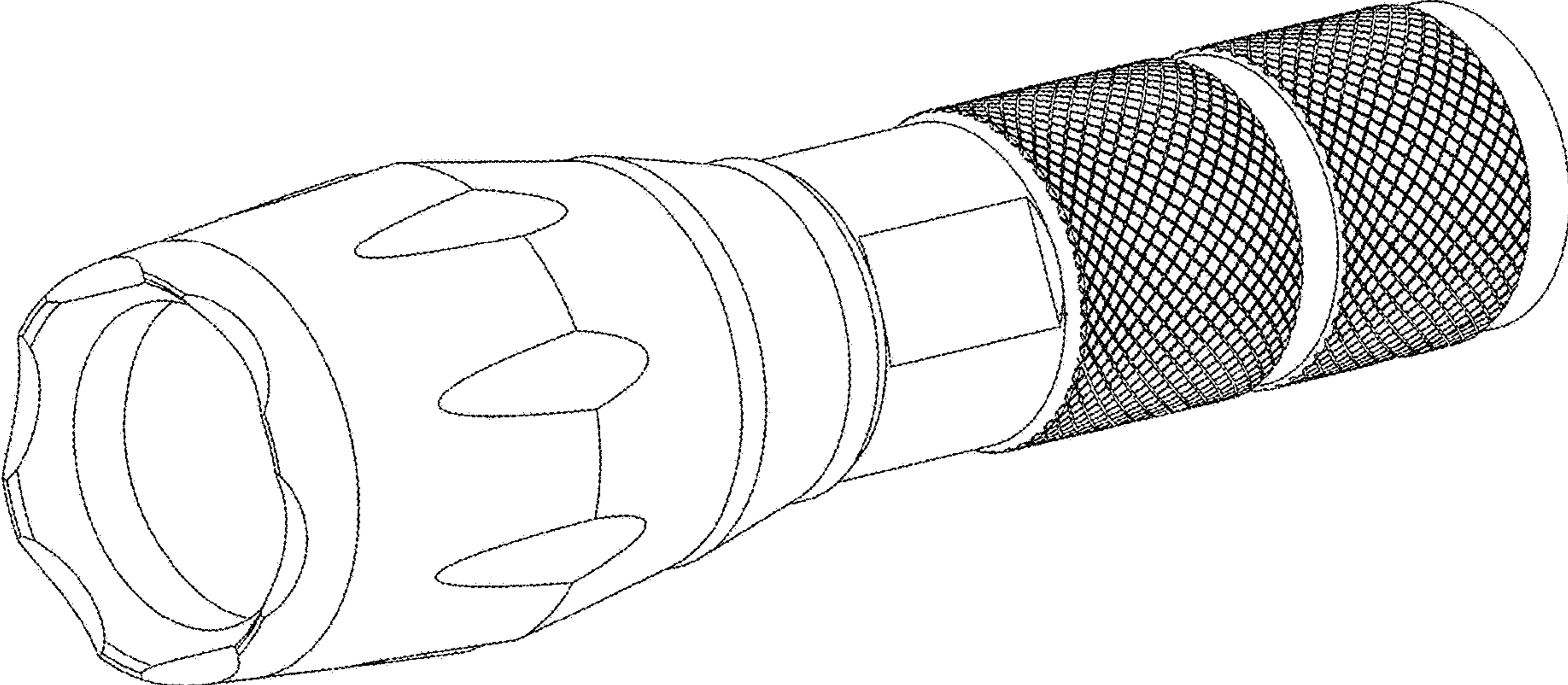


FIG.7

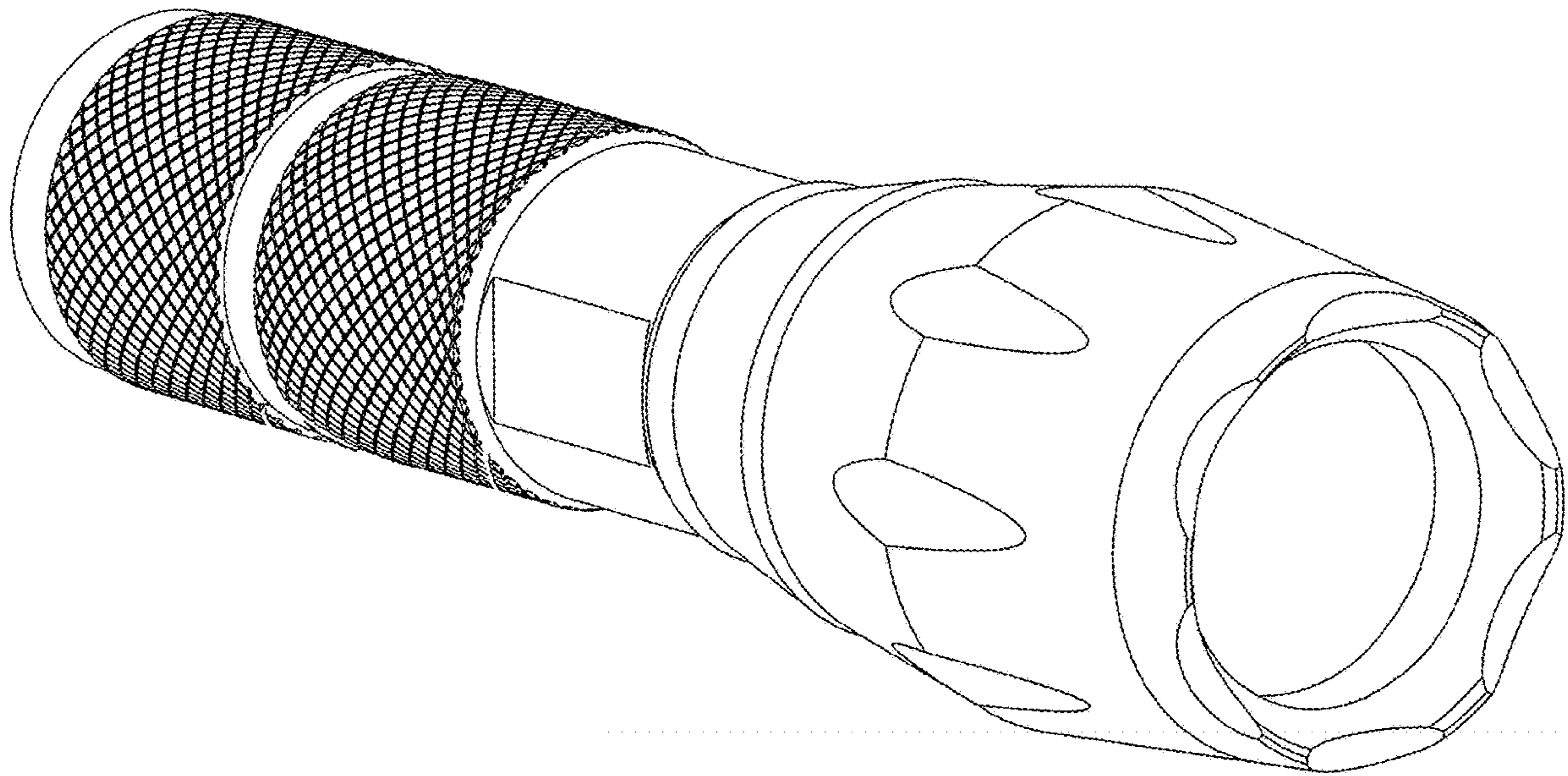


FIG.8