



US00D871637S

(12) **United States Design Patent** (10) **Patent No.:** **US D871,637 S**  
**Miyawaki et al.** (45) **Date of Patent:** **\*\* Dec. 31, 2019**

(54) **WORKLIGHT**

D740,475 S \* 10/2015 Pineau ..... D26/37  
D748,448 S \* 2/2016 Nelson ..... D26/113  
D767,195 S \* 9/2016 Pollack, Jr. .... D26/119

(71) Applicant: **IRIS OHYAMA INC.**, Sendai-shi,  
Miyagi (JP)

(Continued)

(72) Inventors: **Masayuki Miyawaki**, Kakuda (JP);  
**Shohei Tokoi**, Kakuda (JP)

FOREIGN PATENT DOCUMENTS

JP 1223323 S 11/2004

(73) Assignee: **IRIS OHYAMA INC.**, Sendai-shi (JP)

OTHER PUBLICATIONS

(\*\*) Term: **15 Years**

An Office Action; "Notice of Allowance", issued by the Japanese Patent Office dated Oct. 30, 2017, which corresponds to Japanese Design Application No. 2017-013613; with English language Concise Explanation.

(21) Appl. No.: **29/629,616**

(22) Filed: **Dec. 14, 2017**

(30) **Foreign Application Priority Data**

*Primary Examiner* — Lakiya G Rogers

*Assistant Examiner* — Carissa C Fitts

Jun. 23, 2017 (JP) ..... 2017-013613

(74) *Attorney, Agent, or Firm* — Studebaker & Brackett PC

(51) **LOC (12) Cl.** ..... **26-02**

(52) **U.S. Cl.**  
USPC ..... **D26/41**

(57) **CLAIM**

(58) **Field of Classification Search**  
USPC ..... D26/37-51  
CPC ..... F21L 2003/00; F21L 4/00; F21L 4/005;  
F21L 4/02; F21L 4/025; F21L 4/027;  
F21L 4/04; F21L 4/08; F21L 2005/00;  
F21L 7/00; F21L 11/00; F21L 13/00;  
F21L 13/04; F21L 13/08; F21L 14/02;  
F21L 17/00; F21L 19/00; F21L 25/00  
See application file for complete search history.

The ornamental design for a worklight, as shown and described.

**DESCRIPTION**

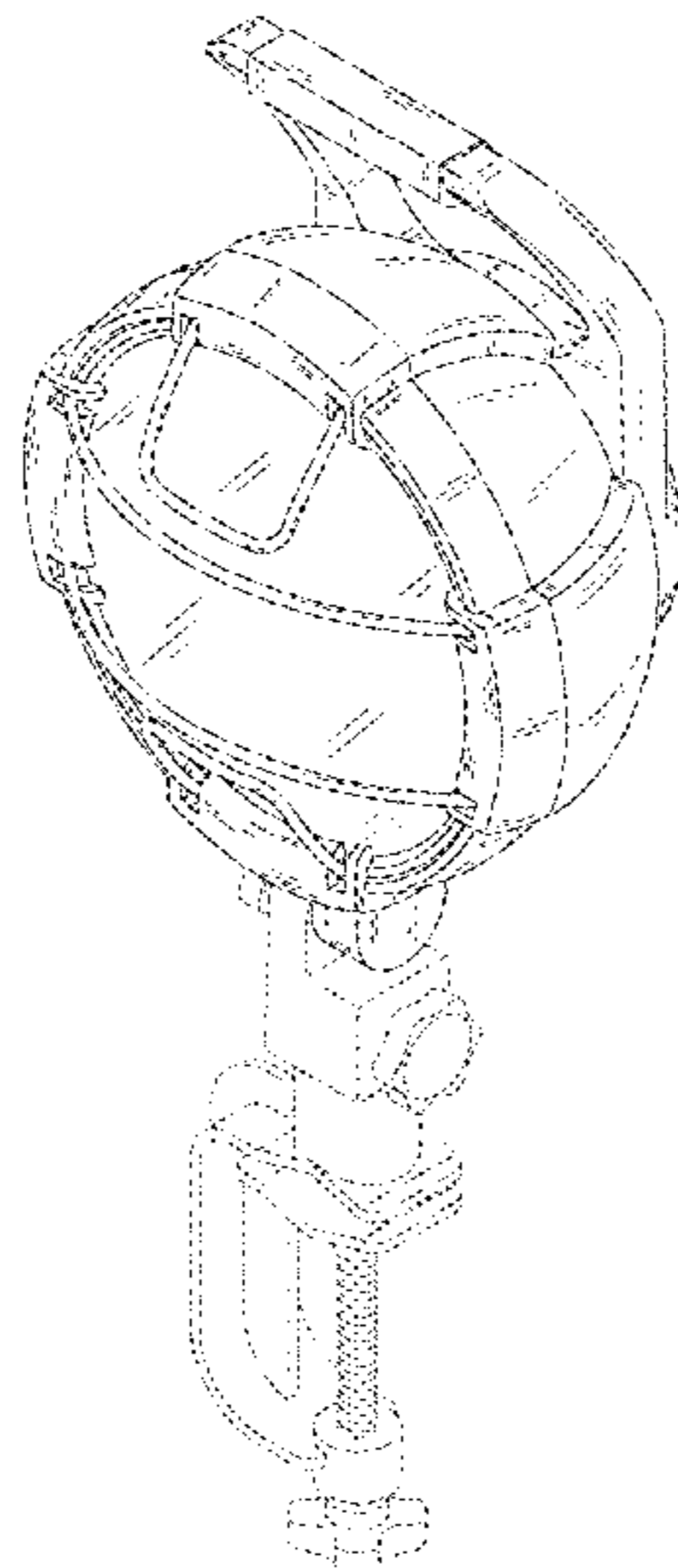
(56) **References Cited**

U.S. PATENT DOCUMENTS

D331,634 S \* 12/1992 Browne ..... D26/119  
D357,087 S \* 4/1995 Young ..... D26/60  
D426,662 S \* 6/2000 Taniguchi ..... D26/40  
D555,266 S \* 11/2007 Claassen ..... D26/40  
D576,329 S \* 9/2008 Poon ..... D26/40  
D649,271 S \* 11/2011 Crawford ..... D26/37  
D650,104 S \* 12/2011 Brands ..... D26/41  
D657,483 S \* 4/2012 Leen ..... D26/37  
D738,022 S \* 9/2015 Shen ..... D26/50

FIG. 1 is a front, top and right-side perspective view of a worklight showing our new design;  
FIG. 2 is a front view thereof;  
FIG. 3 is a rear view thereof;  
FIG. 4 is a top view thereof;  
FIG. 5 is a bottom view thereof;  
FIG. 6 is a right-side view thereof;  
FIG. 7 is a left-side view thereof;  
FIG. 8 is a cross-sectional view taken along line 8-8 in FIG. 2, in which the internal mechanism is omitted; and,  
FIG. 9 is a front, bottom and left-side perspective view thereof without a clamp.  
The broken lines shown represent unclaimed subject matter of the worklight and form no part of the claimed design.

**1 Claim, 8 Drawing Sheets**



(56)

**References Cited**

U.S. PATENT DOCUMENTS

D801,569 S	*	10/2017	Ormsbee .....	D26/37
D814,084 S	*	3/2018	James .....	D26/41
D838,023 S	*	1/2019	Ralph .....	D26/40
D840,072 S	*	2/2019	Yuan .....	D26/37

\* cited by examiner

FIG. 1

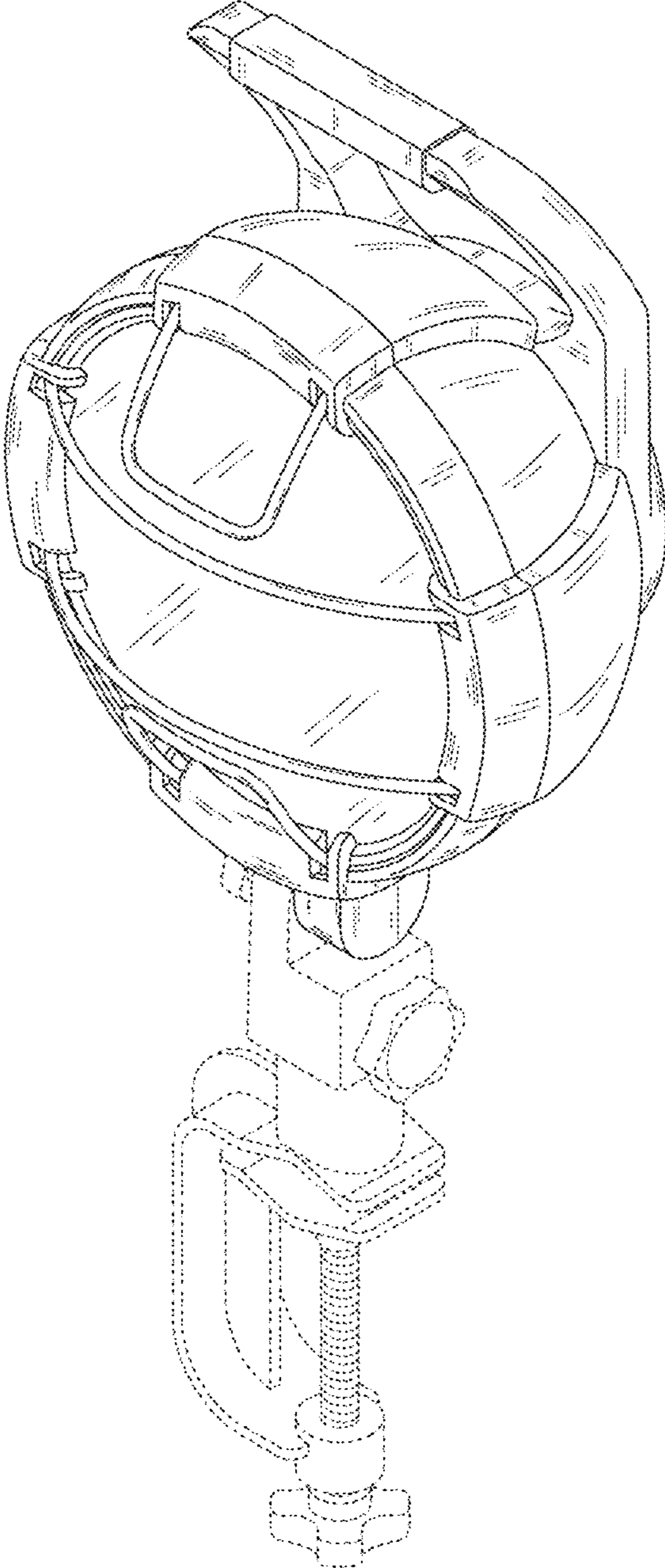


FIG. 2

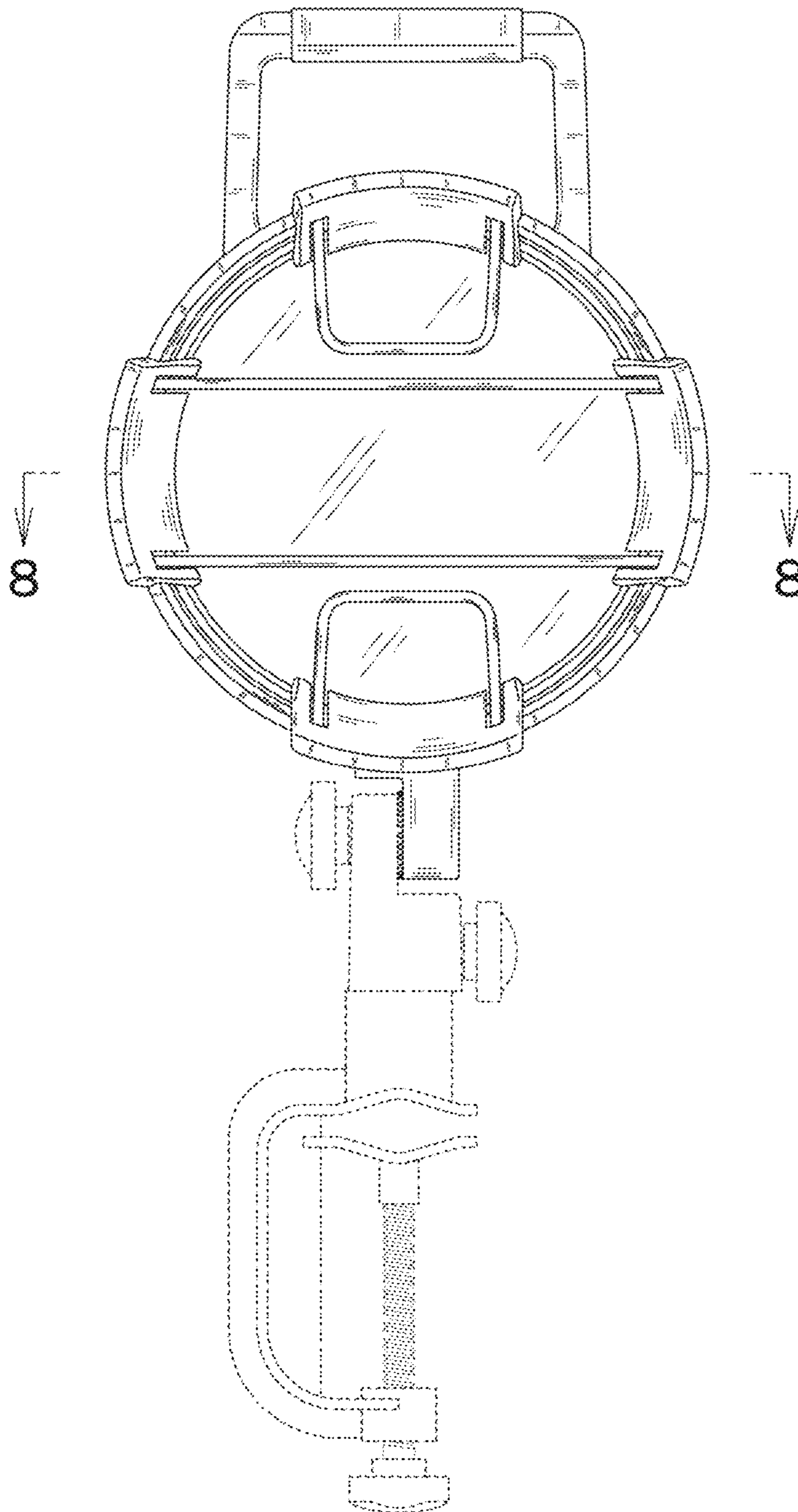


FIG. 3

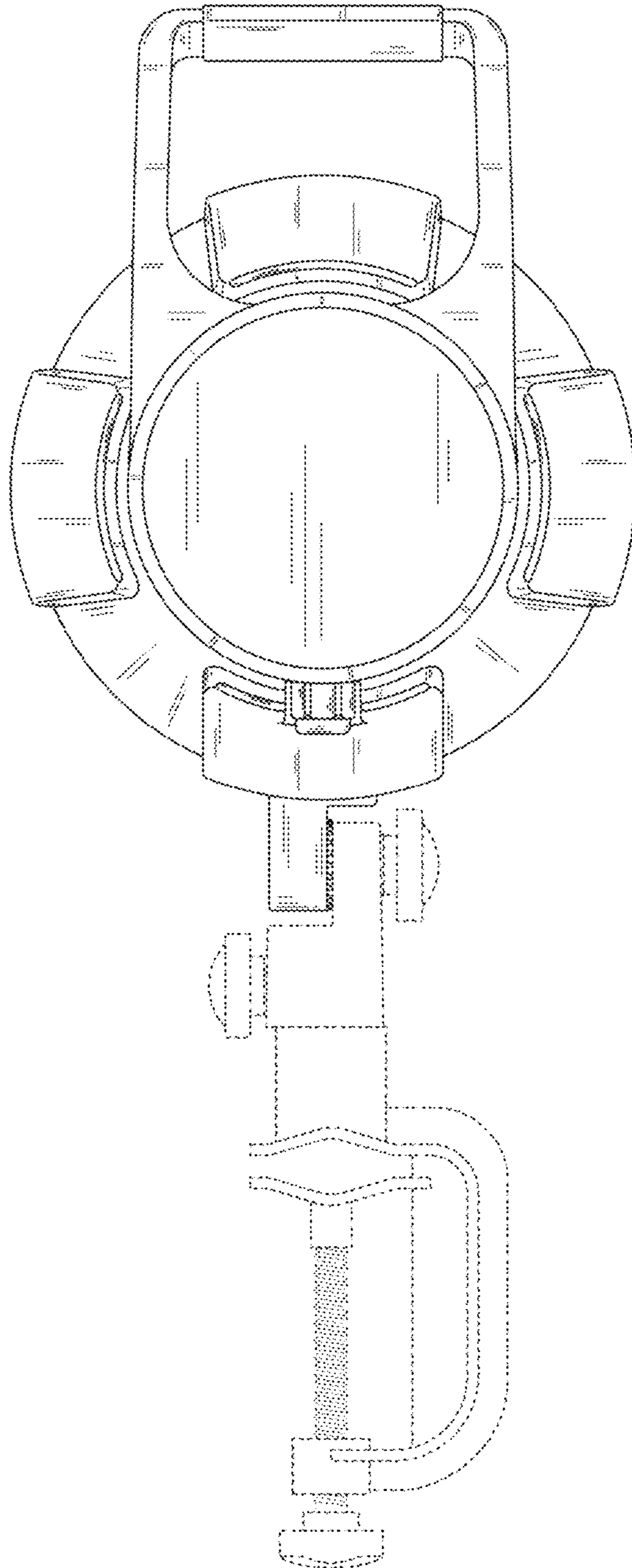


FIG. 4

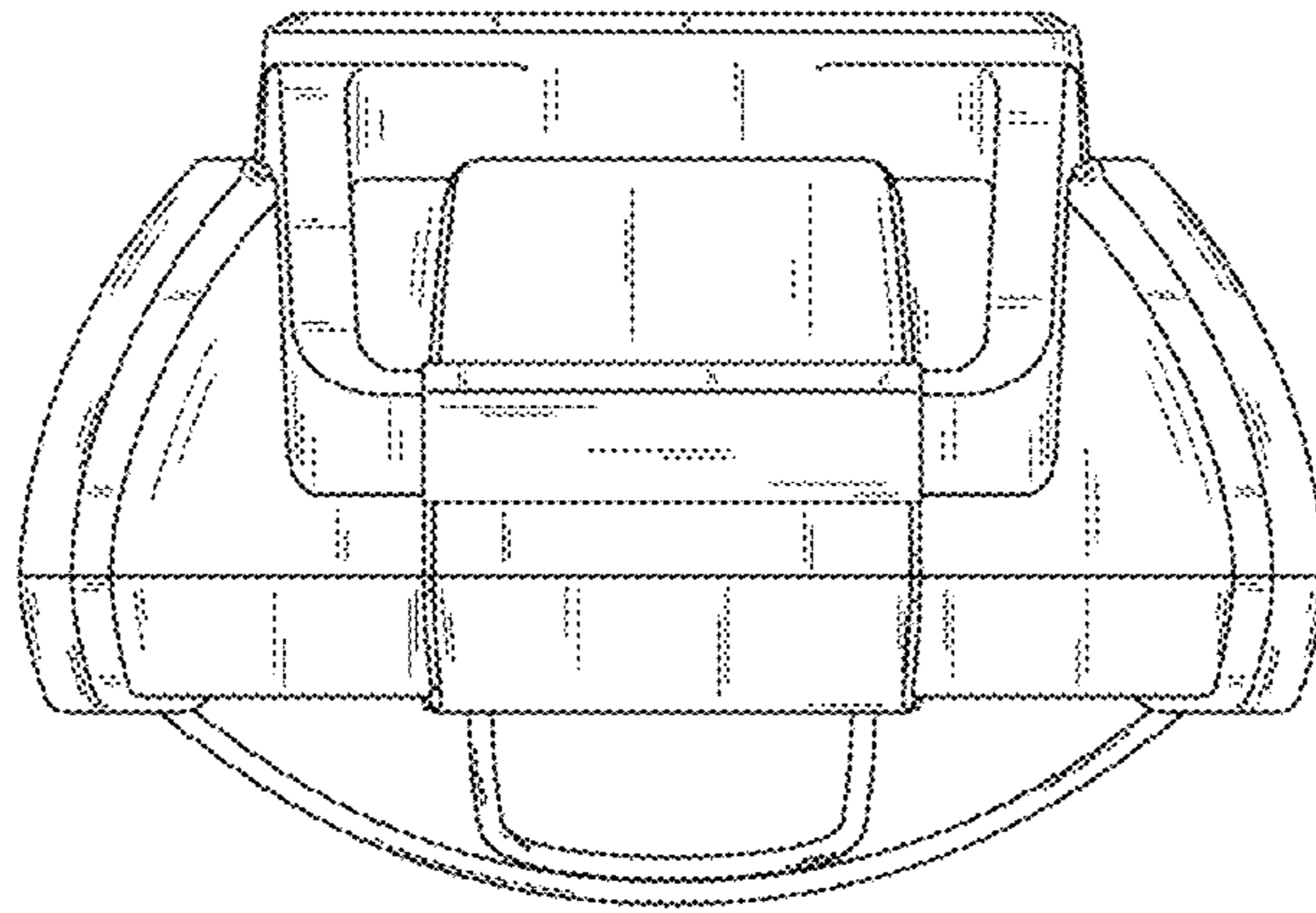


FIG. 5

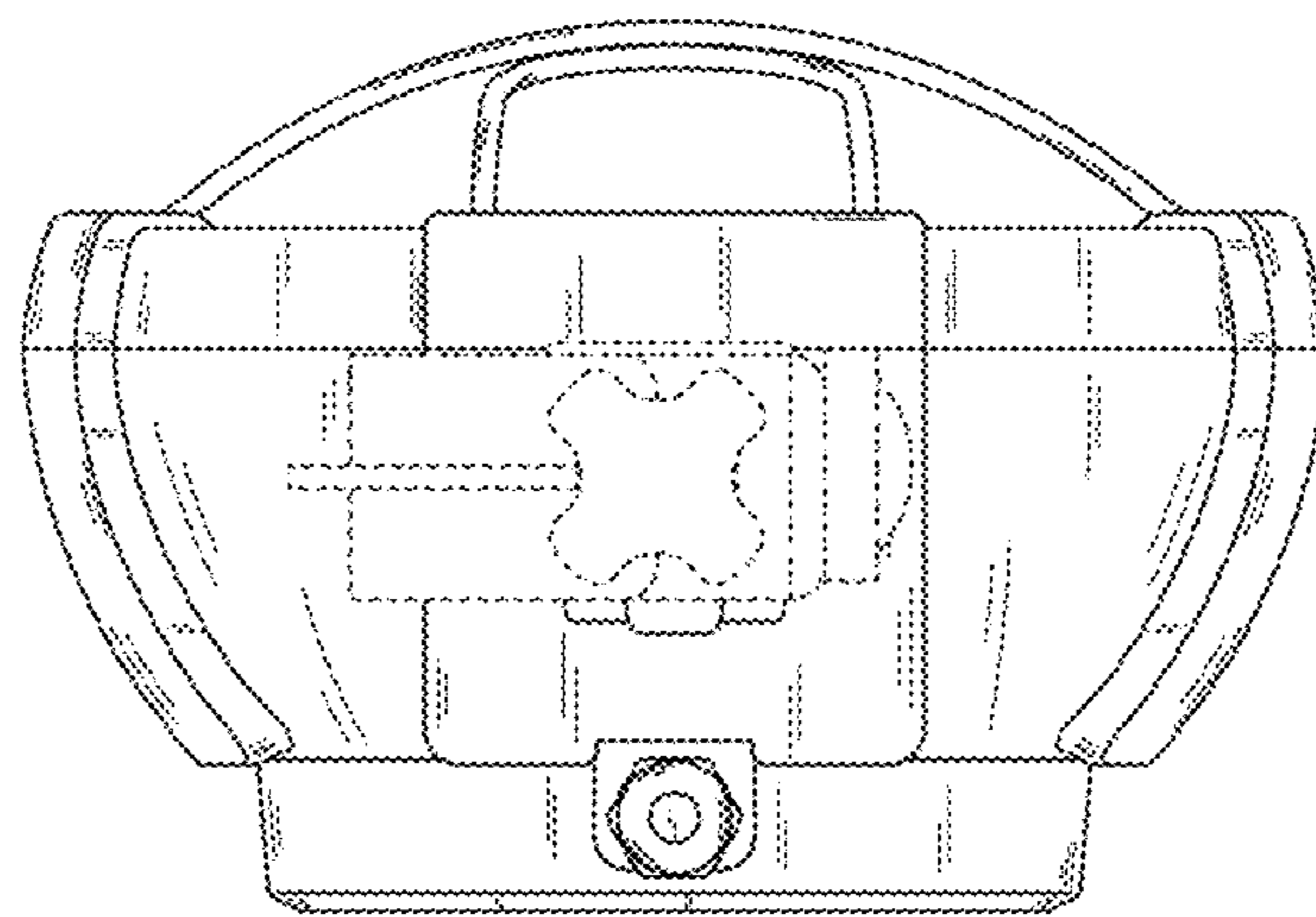


FIG. 6

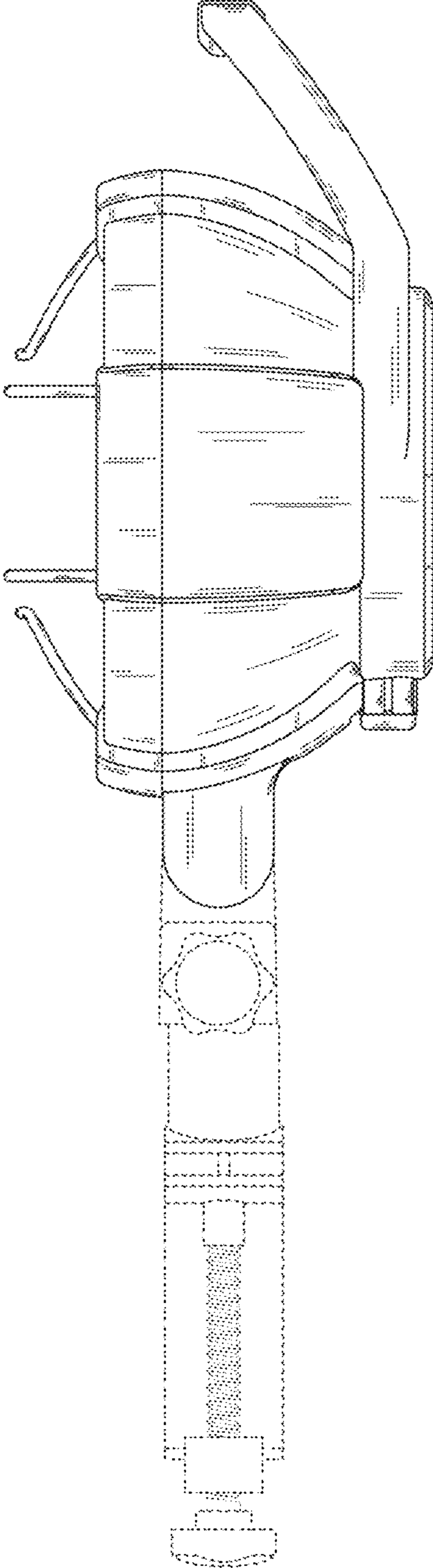


FIG. 7

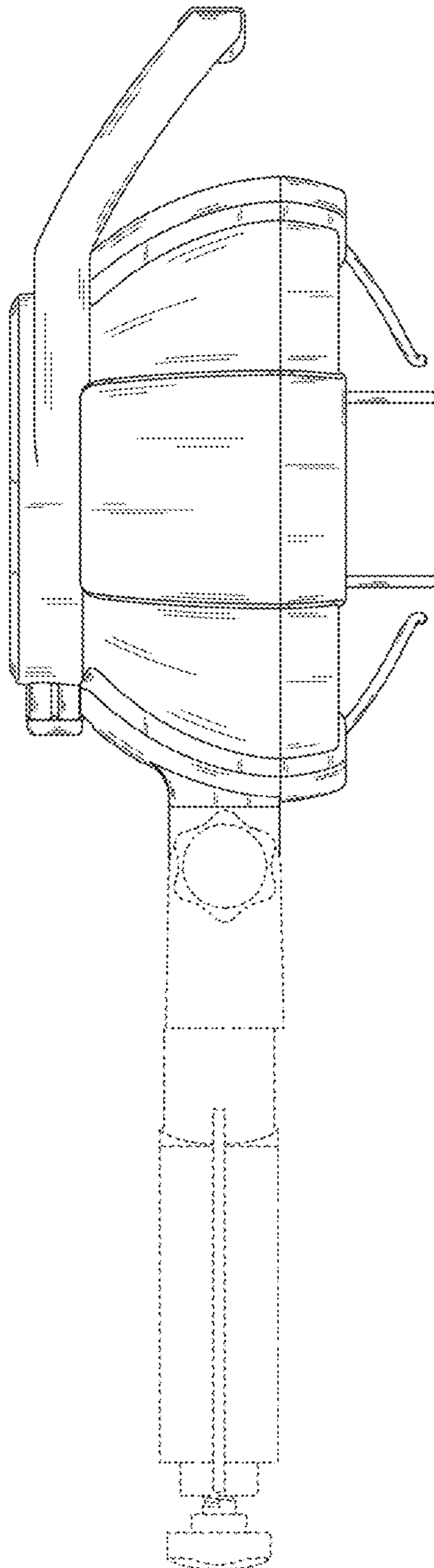




FIG. 8

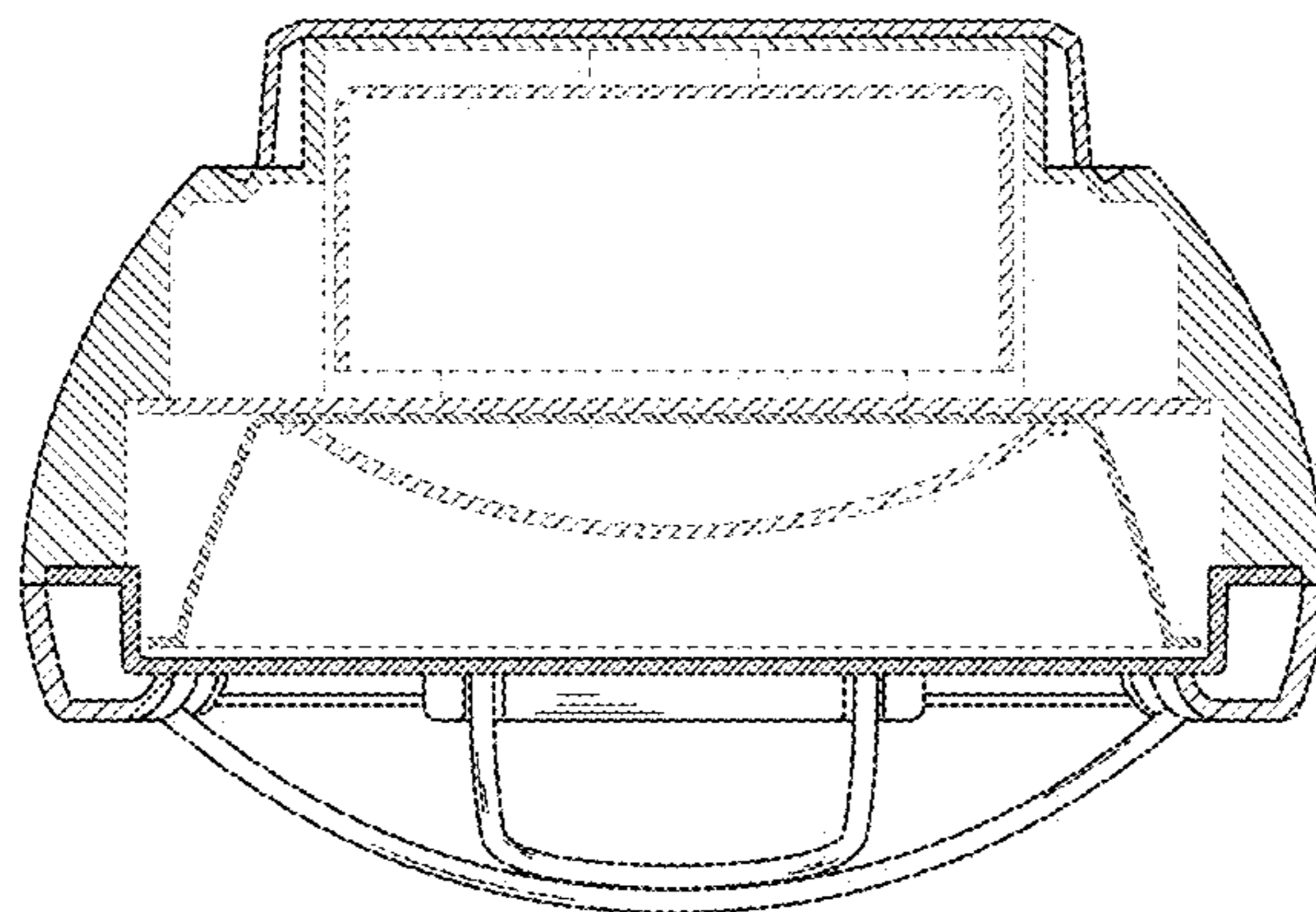


FIG. 9

