



US00D871636S

(12) **United States Design Patent** (10) **Patent No.:** **US D871,636 S**  
**Cacciabeve** (45) **Date of Patent:** **\*\* Dec. 31, 2019**

(54) **PORTABLE LIGHT**  
(71) Applicant: **Walter R. Tucker Enterprises, Ltd.**,  
Deposit, NY (US)  
(72) Inventor: **Robert Cacciabeve**, Boonton, NJ (US)  
(73) Assignee: **Walter R. Tucker Enterprises, Ltd.**,  
Deposit, NY (US)

D623,783 S 9/2010 Christianson et al.  
D699,875 S 2/2014 Christianson et al.  
8,715,328 B2 5/2014 Gerardo  
D752,791 S \* 3/2016 Ferguson ..... D26/39  
D768,024 S 10/2016 Dayal et al.  
9,534,752 B1 1/2017 Mishan  
9,546,779 B2 1/2017 Rementer  
(Continued)

(\*\*) Term: **15 Years**  
(21) Appl. No.: **29/665,892**

CN 201661949 U 12/2010  
CN 201916829 U 8/2011  
(Continued)

(22) Filed: **Oct. 8, 2018**  
(51) **LOC (12) Cl.** ..... **26-02**  
(52) **U.S. Cl.**  
USPC ..... **D26/39**  
(58) **Field of Classification Search**  
USPC ..... D26/1, 24, 25, 43, 60, 110, 113, 28, 37,  
D26/61, 85, 102, 138-140; 362/249.14,  
362/311.02, 311.13  
CPC ..... F21S 4/00; F21S 4/10; F21S 4/15; F21S  
4/26; F21S 2/00; F21V 11/02; F21V  
11/06; F21V 17/10; F21V 17/16; F21V  
21/0296; F21V 21/0054; F21V 21/008;  
F21V 21/00; F21V 21/08; F21V 23/00;  
F21V 23/04; F21V 33/00; F21W 2121/00;  
F21W 2121/04; F21Y 2115/10; F21L  
4/00; F21L 4/02; F21L 4/04; F21L 4/08  
See application file for complete search history.

FOREIGN PATENT DOCUMENTS

OTHER PUBLICATIONS

Multifunction 24 LED Long Range Flexible Snake Light Flashlight,  
SKU# ZP3051000711006, <https://www.zapals.com>, 3 pages, Jan. 4,  
2019.

(Continued)  
*Primary Examiner* — Abraham Bahta  
(74) *Attorney, Agent, or Firm* — Breiner & Breiner,  
L.L.C.

(57) **CLAIM**  
The ornamental design for a portable light, as shown and  
described.

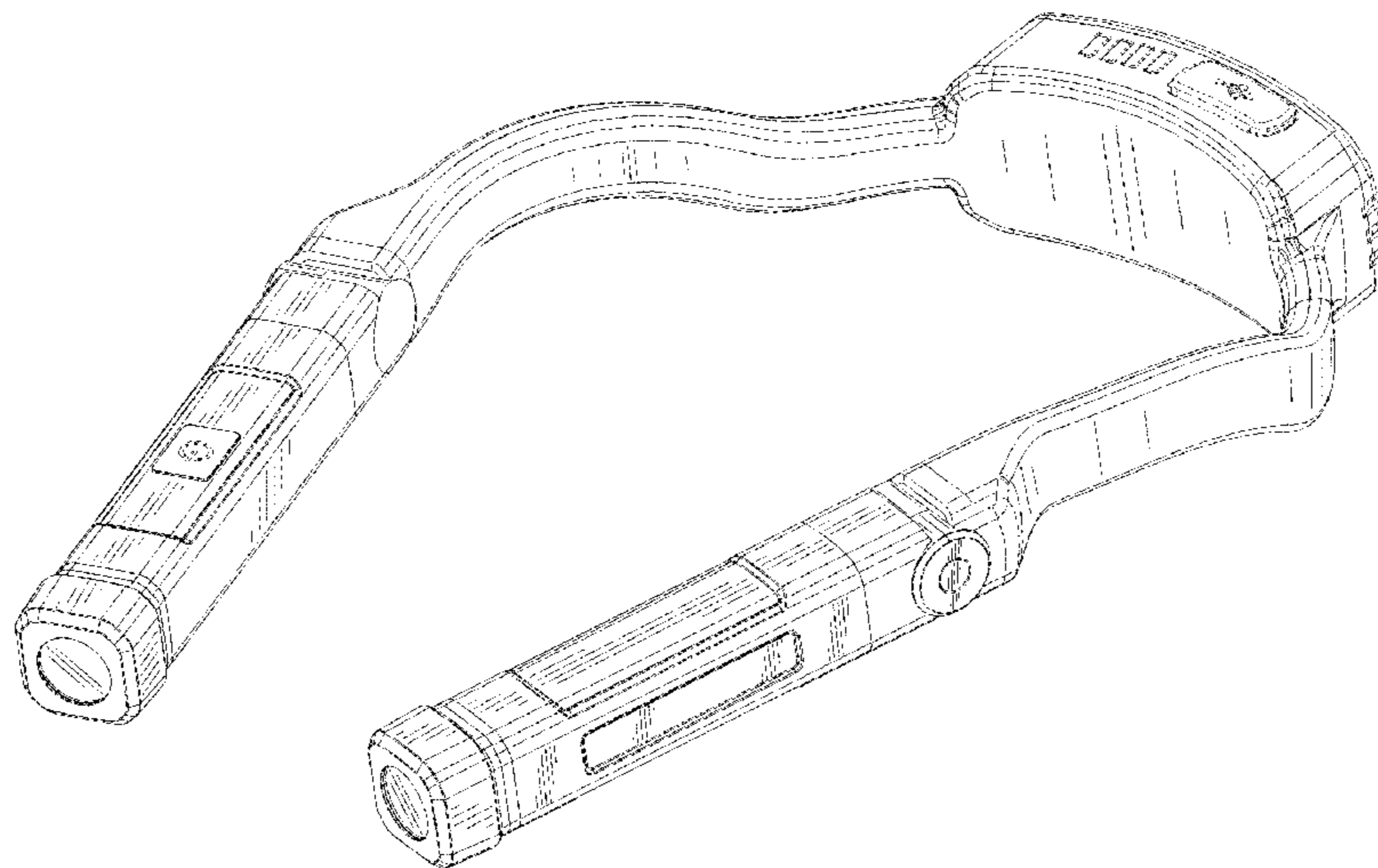
**DESCRIPTION**

FIG. 1 is a front/side elevational perspective view of the  
portable light;  
FIG. 2 is a top view of the portable light;  
FIG. 3 is a bottom view of the portable light;  
FIG. 4 is a front view of the portable light;  
FIG. 5 is a rear view of the portable light;  
FIG. 6 is a first side view of the portable light; and,  
FIG. 7 is a second side view of the portable light.  
The broken lines in the figures represent portions of the  
portable light that form no part of the claim design.

(56) **References Cited**  
U.S. PATENT DOCUMENTS

D268,442 S 3/1983 Darmon  
D306,351 S 2/1990 Charet et al.  
6,680,844 B2 1/2004 Kim  
6,866,395 B2 3/2005 Phipps et al.  
6,874,908 B2 4/2005 Sharrah et al.  
7,175,295 B2 2/2007 Bretz et al.  
D571,942 S \* 6/2008 Christianson ..... D26/39  
D583,971 S \* 12/2008 Castellucci ..... D26/39

**1 Claim, 5 Drawing Sheets**



(56)

**References Cited**

U.S. PATENT DOCUMENTS

9,677,901 B2 6/2017 Yamamoto  
D804,070 S 11/2017 Mishan  
D836,810 S \* 12/2018 DeBrunner ..... D26/39  
D841,850 S \* 2/2019 Williams ..... D26/39  
D861,212 S \* 9/2019 Windom ..... D26/39  
2003/0161143 A1 8/2003 Parker et al.  
2003/0189824 A1 10/2003 Meeder et al.  
2017/0138585 A1 5/2017 Korenek et al.

FOREIGN PATENT DOCUMENTS

CN 203363701 U 12/2013  
WO 2017126512 A1 7/2017

OTHER PUBLICATIONS

MyLight HL000002 HUGlight Pro LED Hands Free Magnetic Task  
Light by My Light, <https://www.amazon.com>. 1 page, Jan. 4, 2019.  
My Light HUG Light LED Hands-Free Flexible Book Light by My  
Light, <https://www.amazon.com>, 8 pages, Jan. 4, 2019.

\* cited by examiner

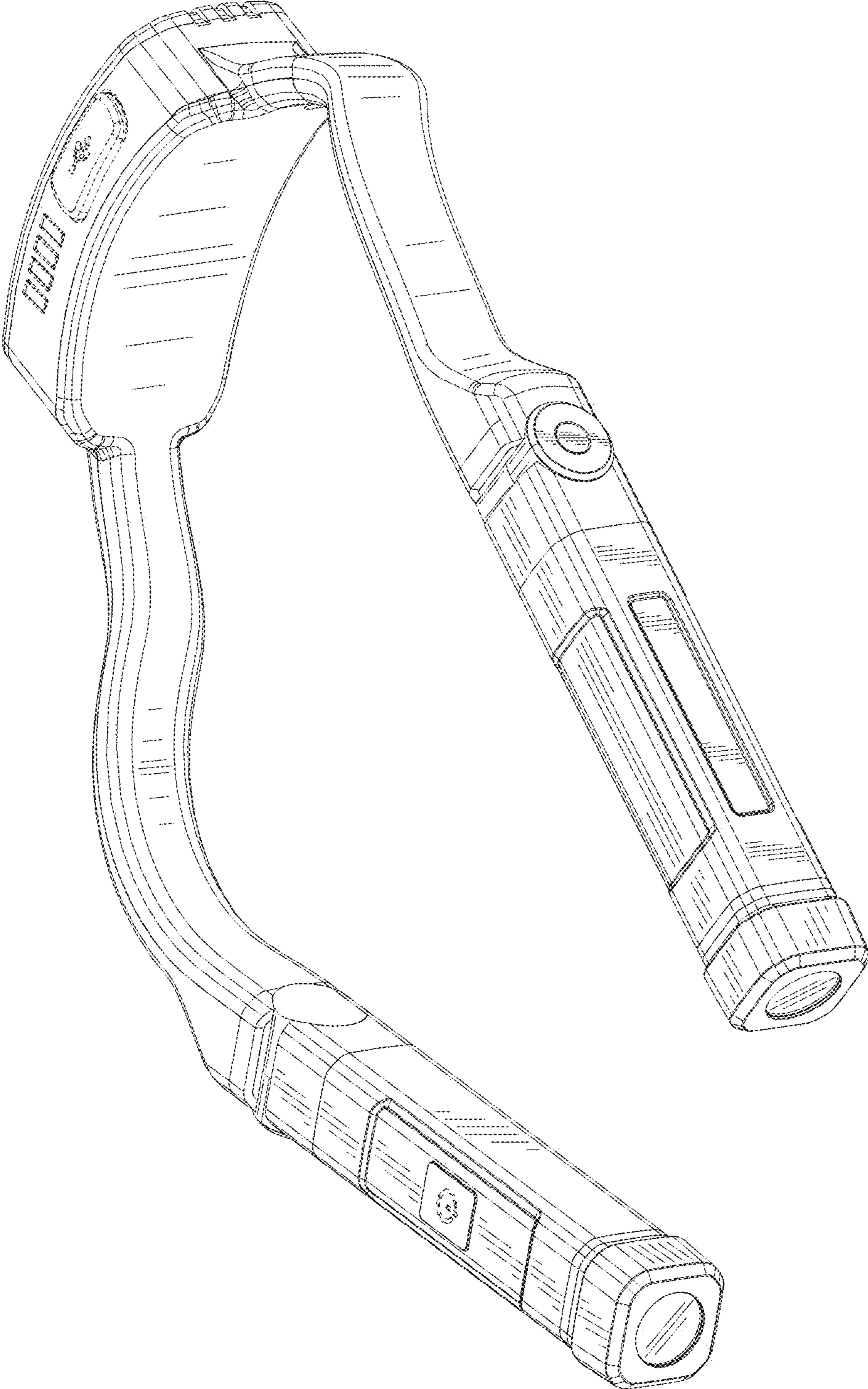
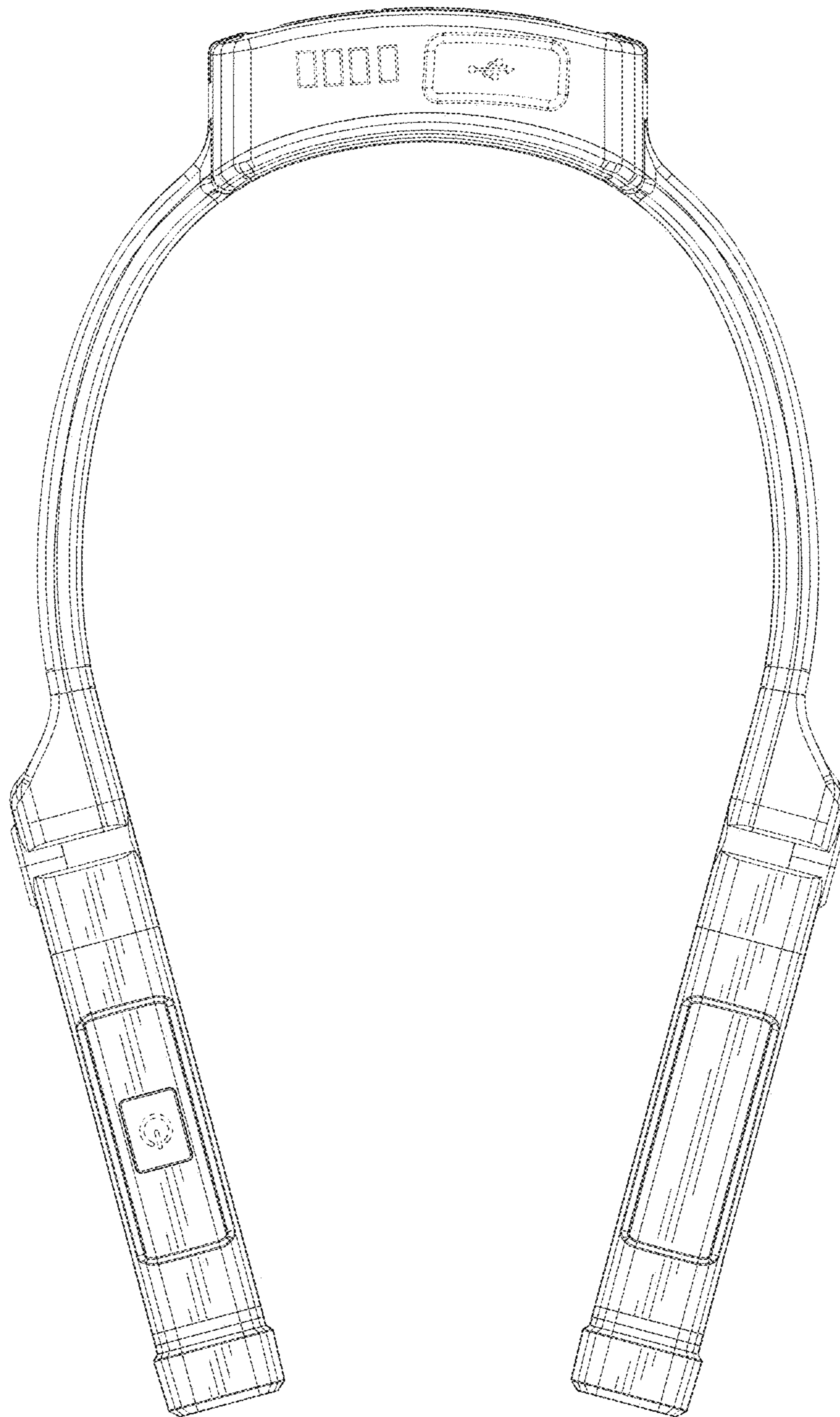
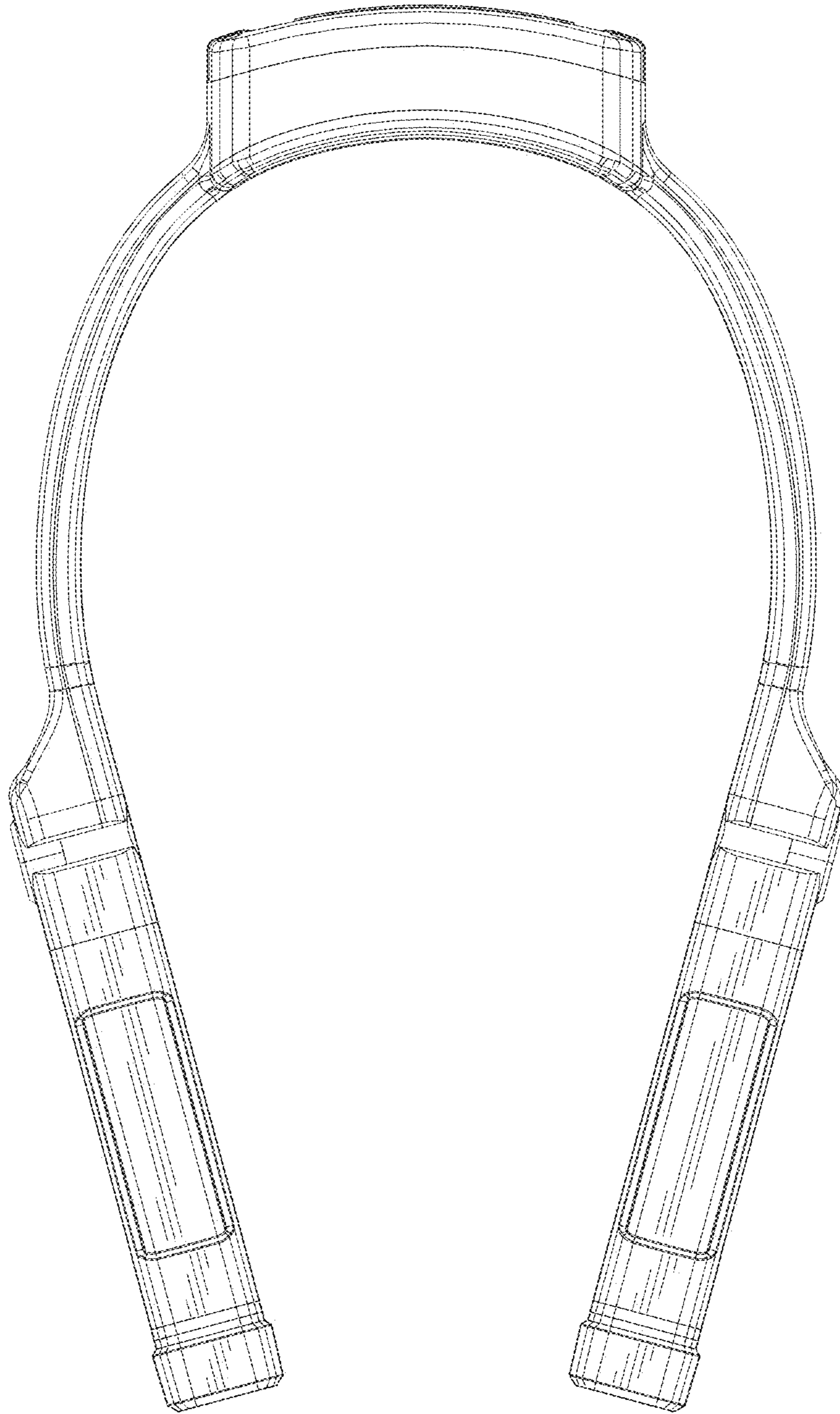


FIG. 1

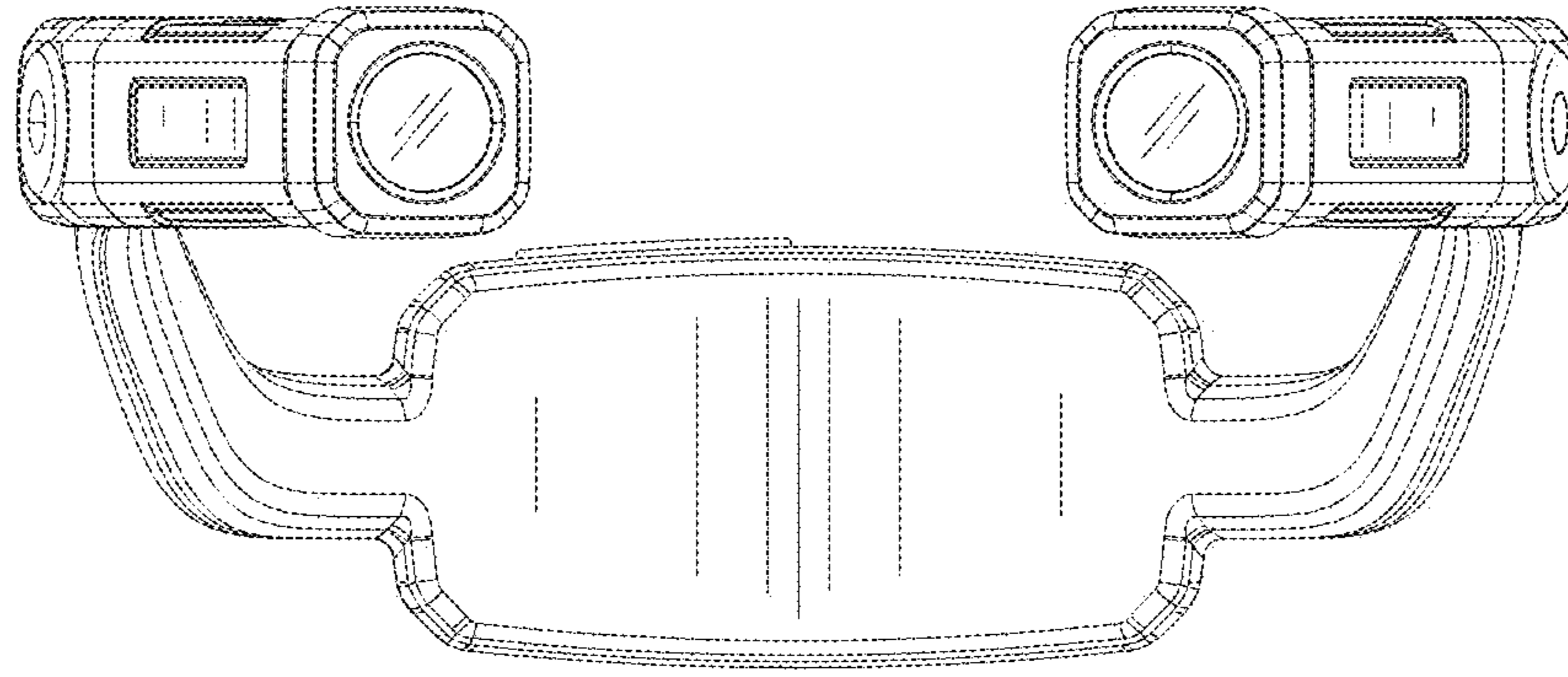




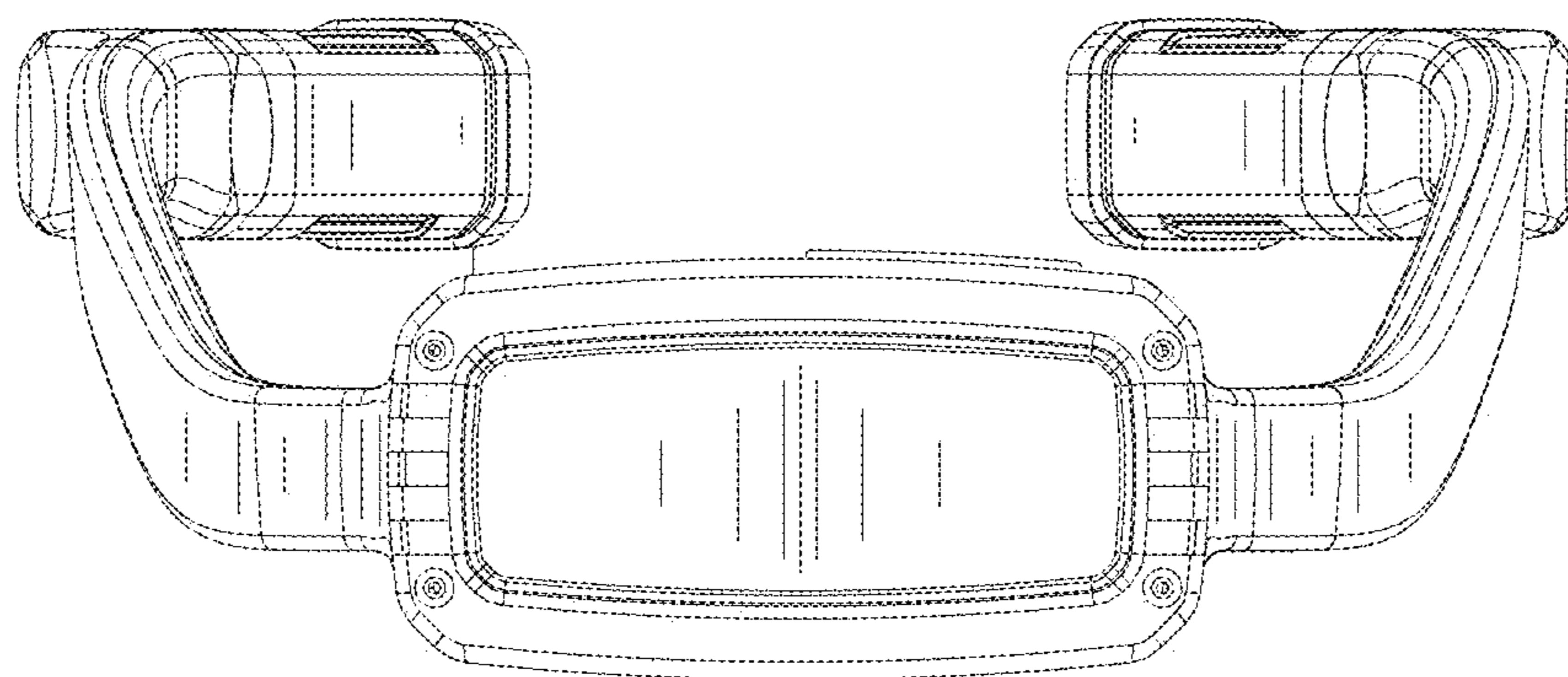
**FIG. 2**



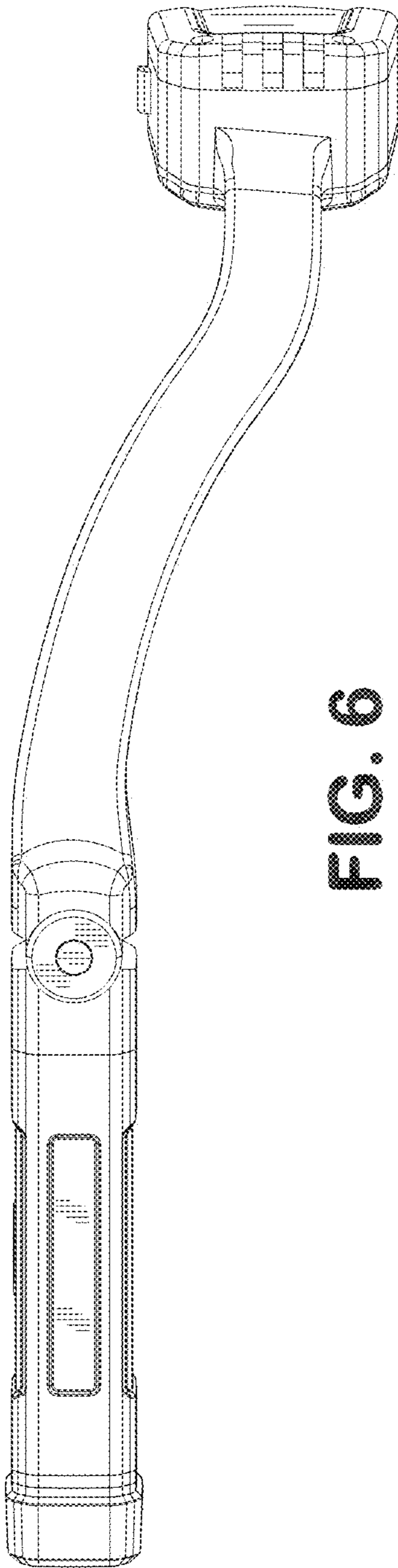
**FIG. 3**



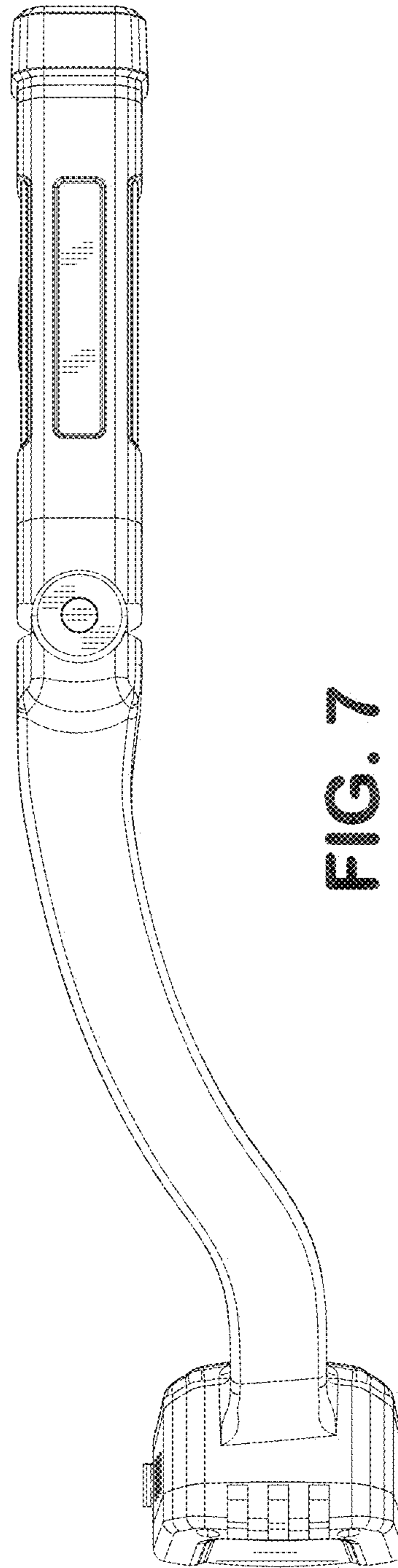
**FIG. 4**



**FIG. 5**



**FIG. 6**



**FIG. 7**