



US00D871634S

(12) **United States Design Patent** (10) **Patent No.:** **US D871,634 S**
Tonna (45) **Date of Patent:** **** Dec. 31, 2019**

(54) **MOTORCYCLE LENS ASSEMBLY**
(71) Applicant: **Cuztom Kraft Pty Ltd**, Wantirna South (AU)
(72) Inventor: **Charles Tonna**, Wantirna South (AU)
(73) Assignee: **Cuztom Kraft Pty Ltd**, Wantirna South (AU)
(**) Term: **15 Years**

D523,973 S * 6/2006 Brady D26/26
D603,537 S * 11/2009 Rowehl D26/36
D614,800 S * 4/2010 Barbeau D26/97
D698,062 S * 1/2014 Burke D26/67
8,646,940 B2 * 2/2014 Jang F21V 7/0008
362/235
D744,676 S * 12/2015 Lai D26/28
D835,319 S * 12/2018 Luke D26/63
10,267,465 B2 * 4/2019 Maxik F21S 8/04
D849,981 S * 5/2019 Hwa D26/63
D850,687 S * 6/2019 Kim D26/63
D850,708 S * 6/2019 Mullen D26/138

* cited by examiner

(21) Appl. No.: **29/628,560**
(22) Filed: **Dec. 5, 2017**

Primary Examiner — Mark A Goodwin
Assistant Examiner — Benjamin M Weeks
(74) *Attorney, Agent, or Firm* — Jay Schloff; Aidenbaum Schloff and Bloom PLLC

(30) **Foreign Application Priority Data**
Jul. 3, 2017 (AU) 201714069

(51) **LOC (12) Cl.** **26-06**
(52) **U.S. Cl.**
USPC **D26/36**

(57) **CLAIM**

(58) **Field of Classification Search**
USPC D26/24, 28–35, 37, 44, 60, 61, 63, 72, D26/80, 138, 36
CPC F21S 2/00; F21S 4/00; F21S 4/003; F21S 4/005; F21S 4/006; F21S 4/007; F21S 4/008; F21S 6/00; F21S 8/00; F21S 8/024; F21S 8/026; F21S 8/031; F21S 8/033; F21S 8/035–037; F21S 8/04; F21S 8/043; F21S 8/063
See application file for complete search history.

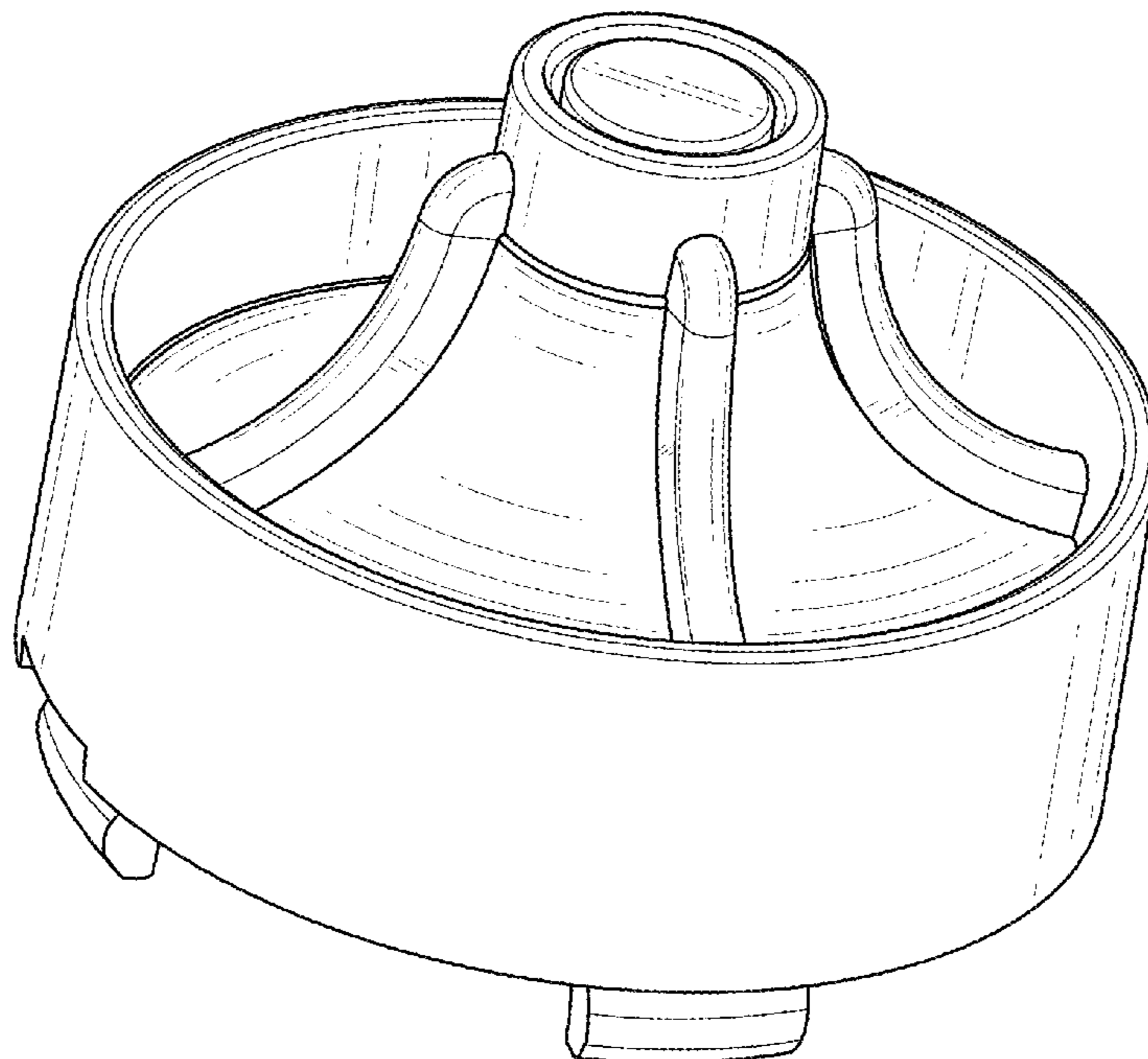
The ornamental design for a motorcycle lens assembly, as shown and described.

DESCRIPTION

(56) **References Cited**
U.S. PATENT DOCUMENTS
D430,950 S * 9/2000 Lee D26/104
D489,840 S * 5/2004 Liao D26/104

FIG. 1 shows an overhead three-quarter view of a motorcycle lens assembly;
FIG. 2 show a side perspective view of a motorcycle lens assembly; and,
FIG. 3 shows overhead perspective view of a motorcycle lens assembly.

1 Claim, 3 Drawing Sheets



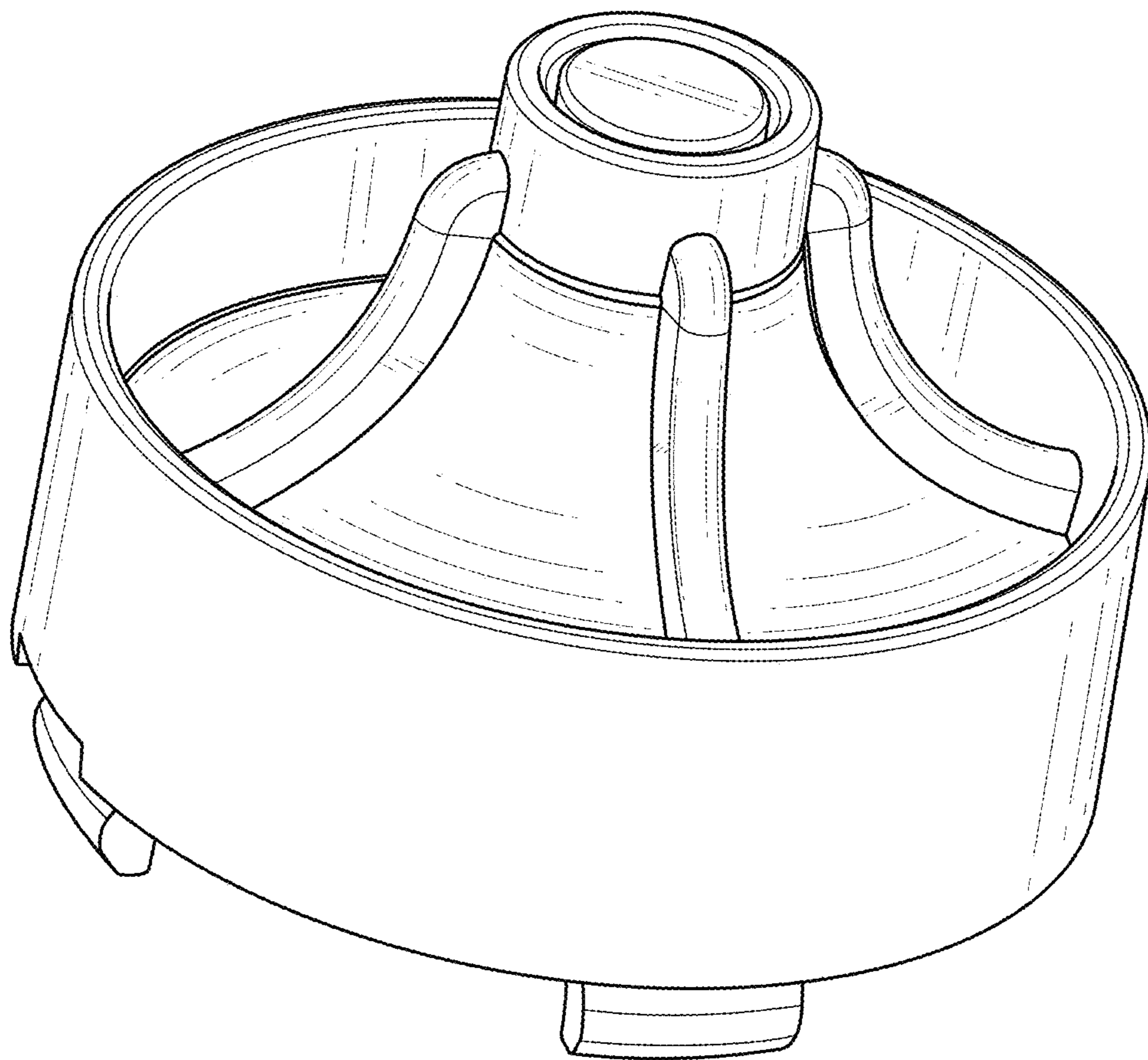


FIG. 1

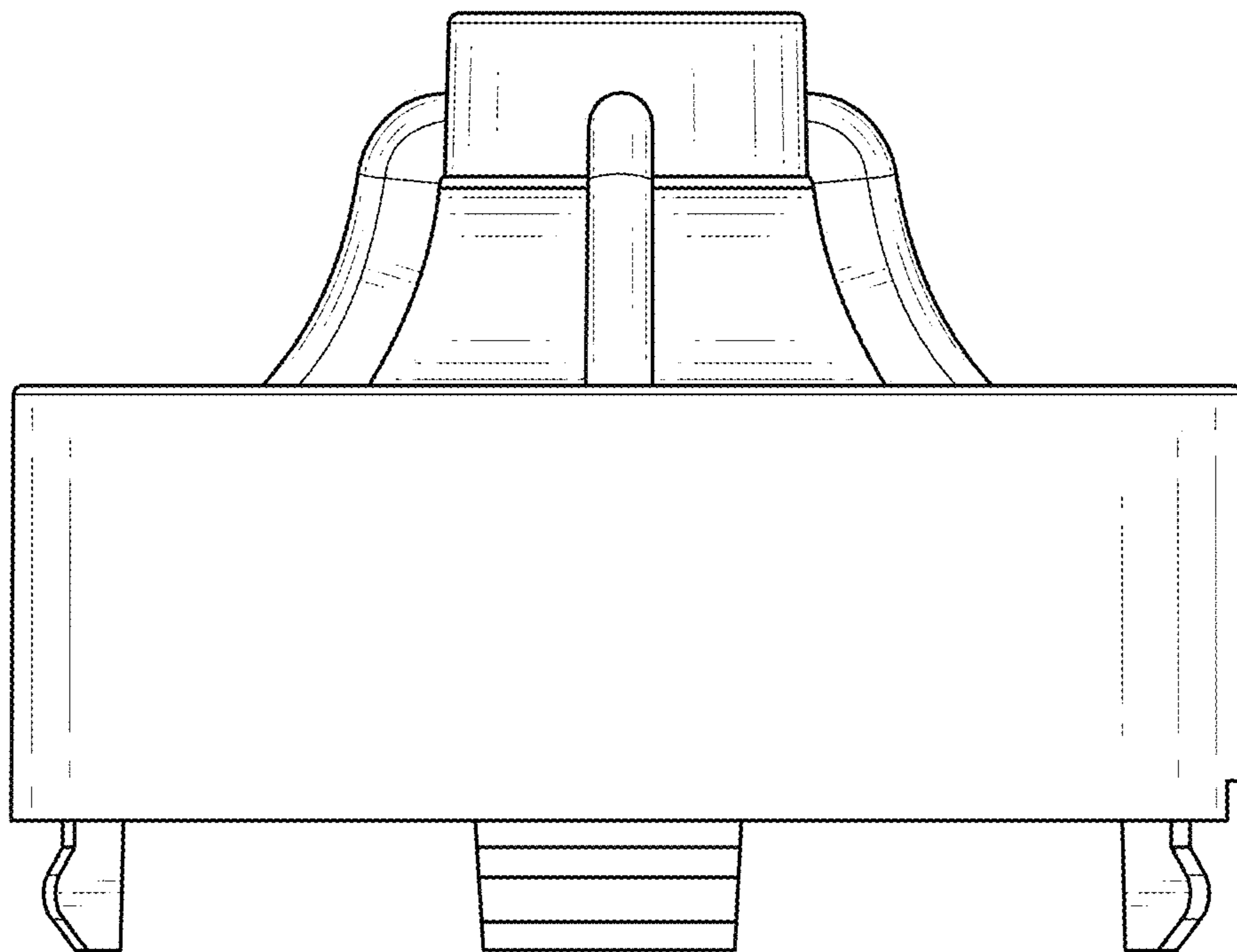


FIG. 2

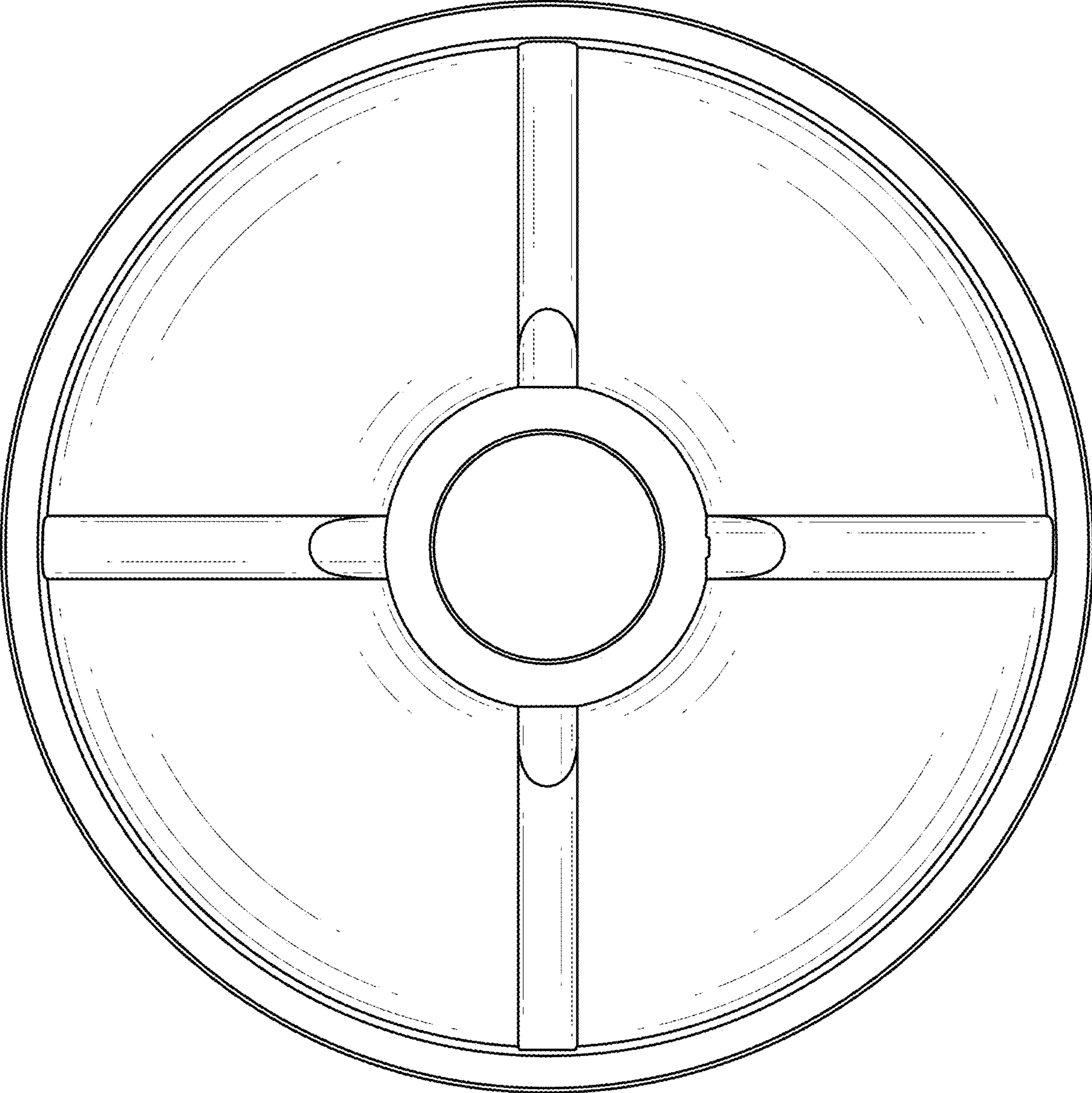


FIG. 3