



US00D871632S

(12) **United States Design Patent** (10) **Patent No.:** **US D871,632 S**
Kim et al. (45) **Date of Patent:** **** Dec. 31, 2019**

(54) **REAR COMBINATION LAMP FOR AN AUTOMOBILE**

(71) Applicants: **HYUNDAI MOTOR COMPANY**, Seoul (KR); **KIA MOTORS CORPORATION**, Seoul (KR)

(72) Inventors: **Hyeong Seon Kim**, Gunpo-si (KR); **Hong Seok Choi**, Anyang-si (KR); **Ji Hoon Baek**, Seoul (KR); **Jae Min Choi**, Cheongju-si (KR); **Da Young Jeong**, Seongnam-si (KR); **Jung Kyu Yang**, Yongin-si (KR)

(73) Assignees: **Hyundai Motor Company**, Seoul (KR); **Kia Motors Corporation**, Seoul (KR)

(**) Term: **15 Years**

(21) Appl. No.: **35/506,207**

(22) Filed: **Jun. 8, 2018**

(80) **Hague Agreement Data**

Int. Filing Date: **Jun. 8, 2018**

Int. Reg. No.: **DM/101702**

Int. Reg. Date: **Jun. 8, 2018**

Int. Reg. Pub. Date: **Dec. 14, 2018**

(30) **Foreign Application Priority Data**

Dec. 27, 2017 (KR) 30-2017-0061712

(51) **LOC (12) Cl.** **26-06**

(52) **U.S. Cl.**
USPC **D26/28**

(58) **Field of Classification Search**
USPC D12/196; D21/433; D26/28, 35, 36
CPC .. F21S 41/00; F21S 41/20; F21S 41/30; F21S 43/14; F21S 43/15; F21S 43/20
See application file for complete search history.

(56) **References Cited**

U.S. PATENT DOCUMENTS

D785,835 S * 5/2017 Lee D26/28

D845,524 S * 4/2019 Lee D26/35

D857,955 S * 8/2019 Han D26/28

* cited by examiner

Primary Examiner — Robert M. Spear

(74) *Attorney, Agent, or Firm* — Mintz Levin Cohn Ferris Glovsky and Popeo, P.C.; Peter F. Corless; Carolina E. Säve

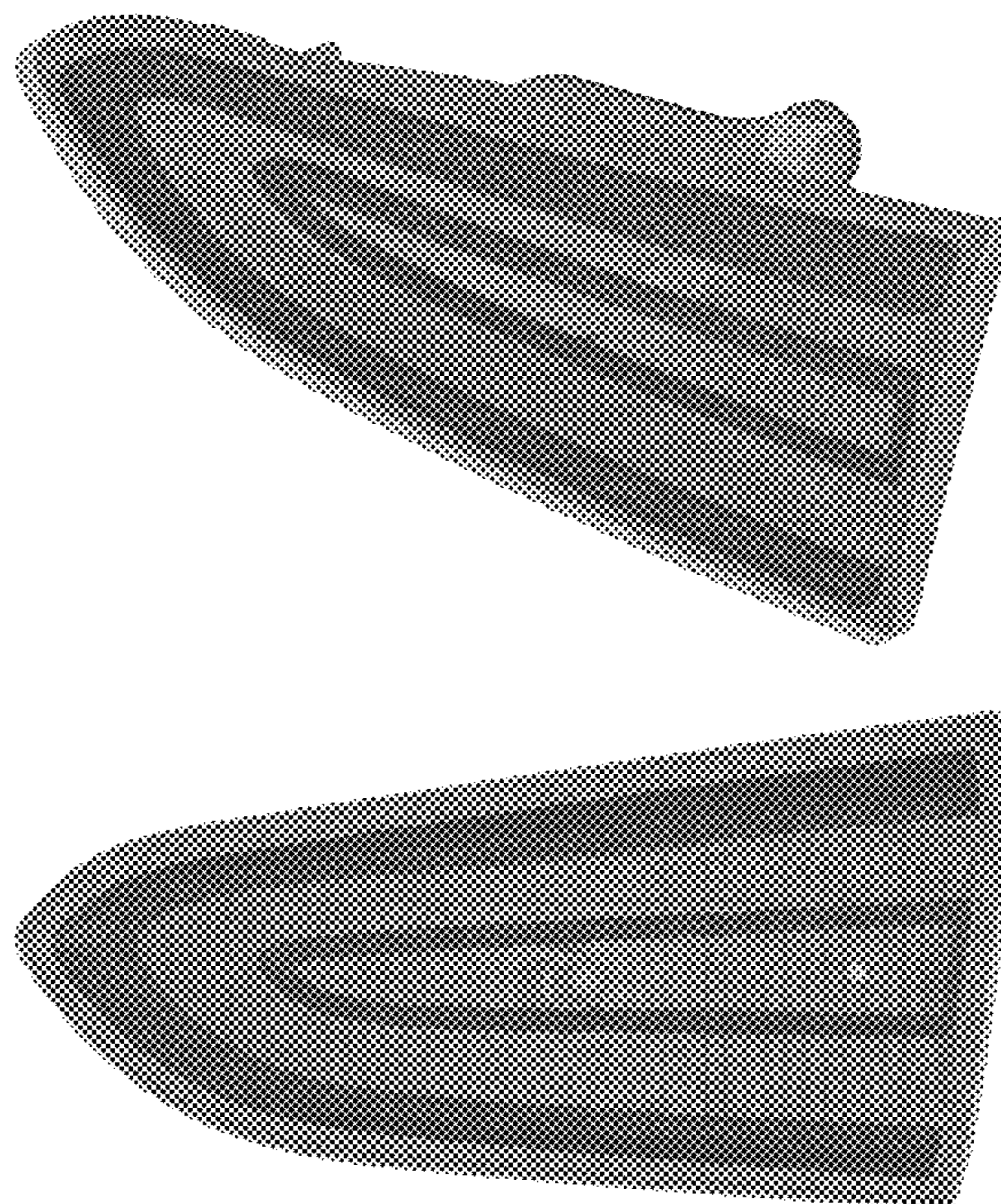
(57) **CLAIM**

The ornamental design for rear combination lamp for an automobile, as shown and described.

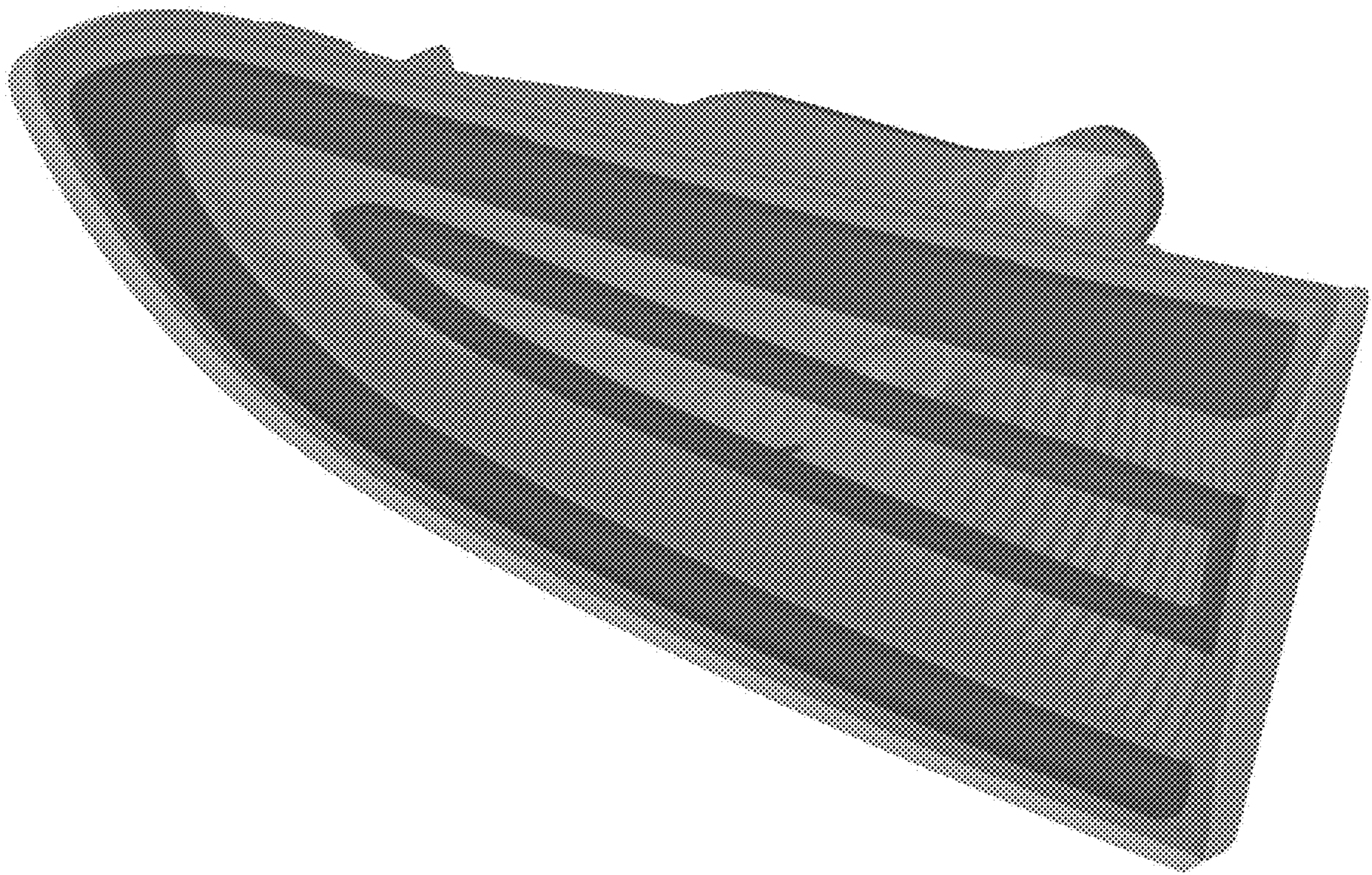
DESCRIPTION

- 1. Rear combination lamp for an automobile
- 1.1 : Perspective
- 1.2 : Front
- 1.3 : Back
- 1.4 : Left
- 1.5 : Right
- 1.6 : Top
- 1.7 : Bottom

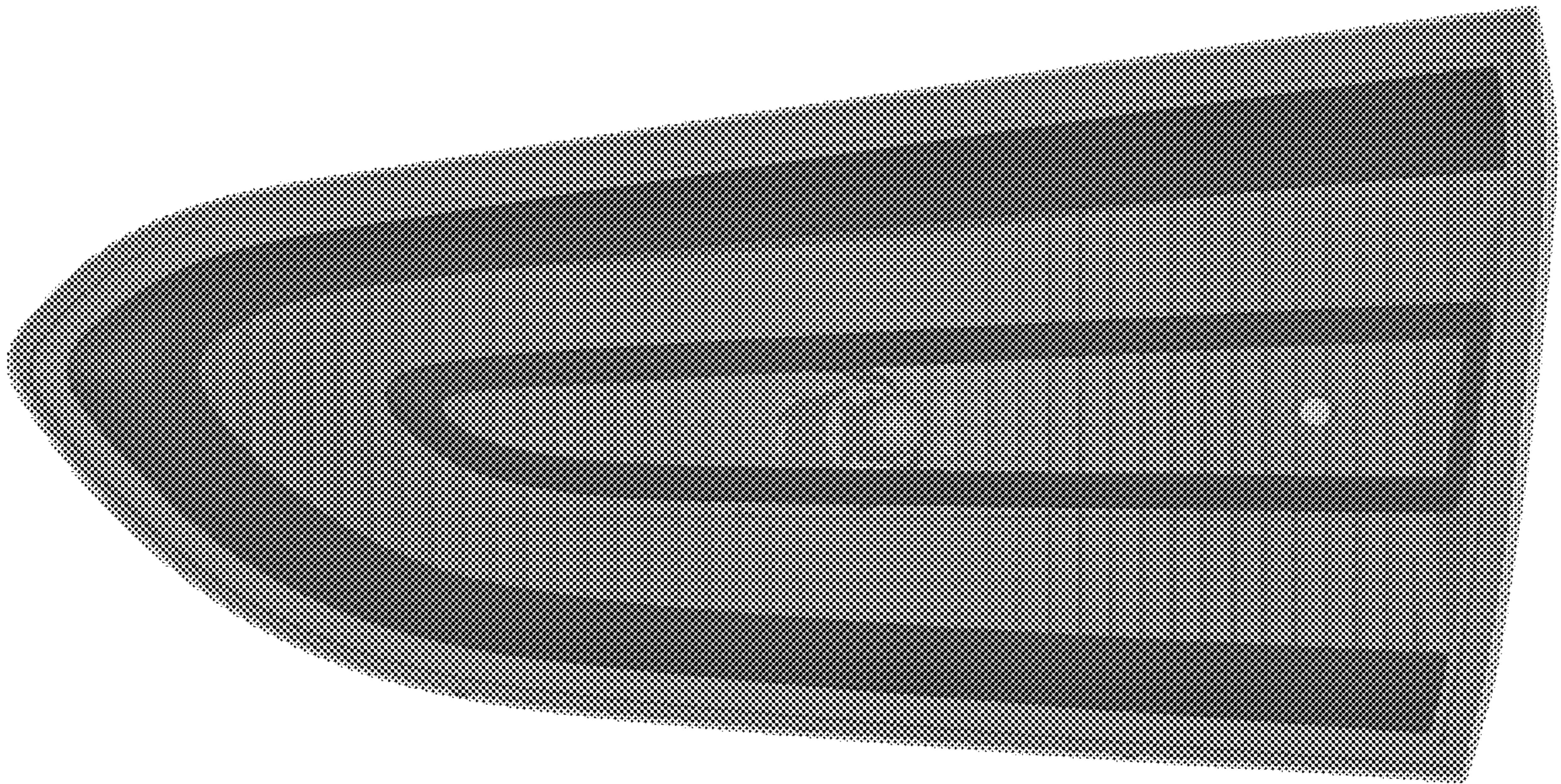
1 Claim, 7 Drawing Sheets



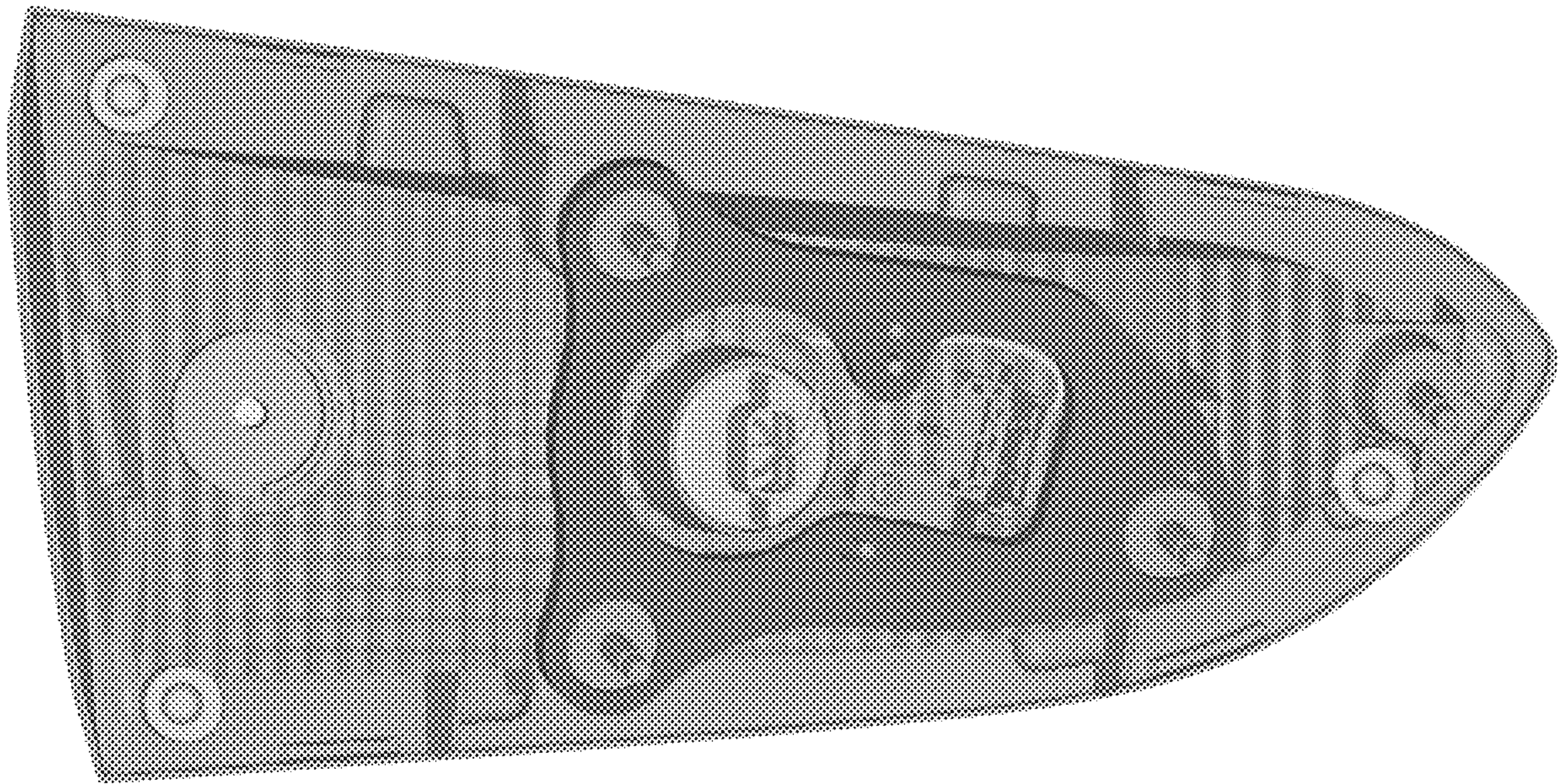
1.1



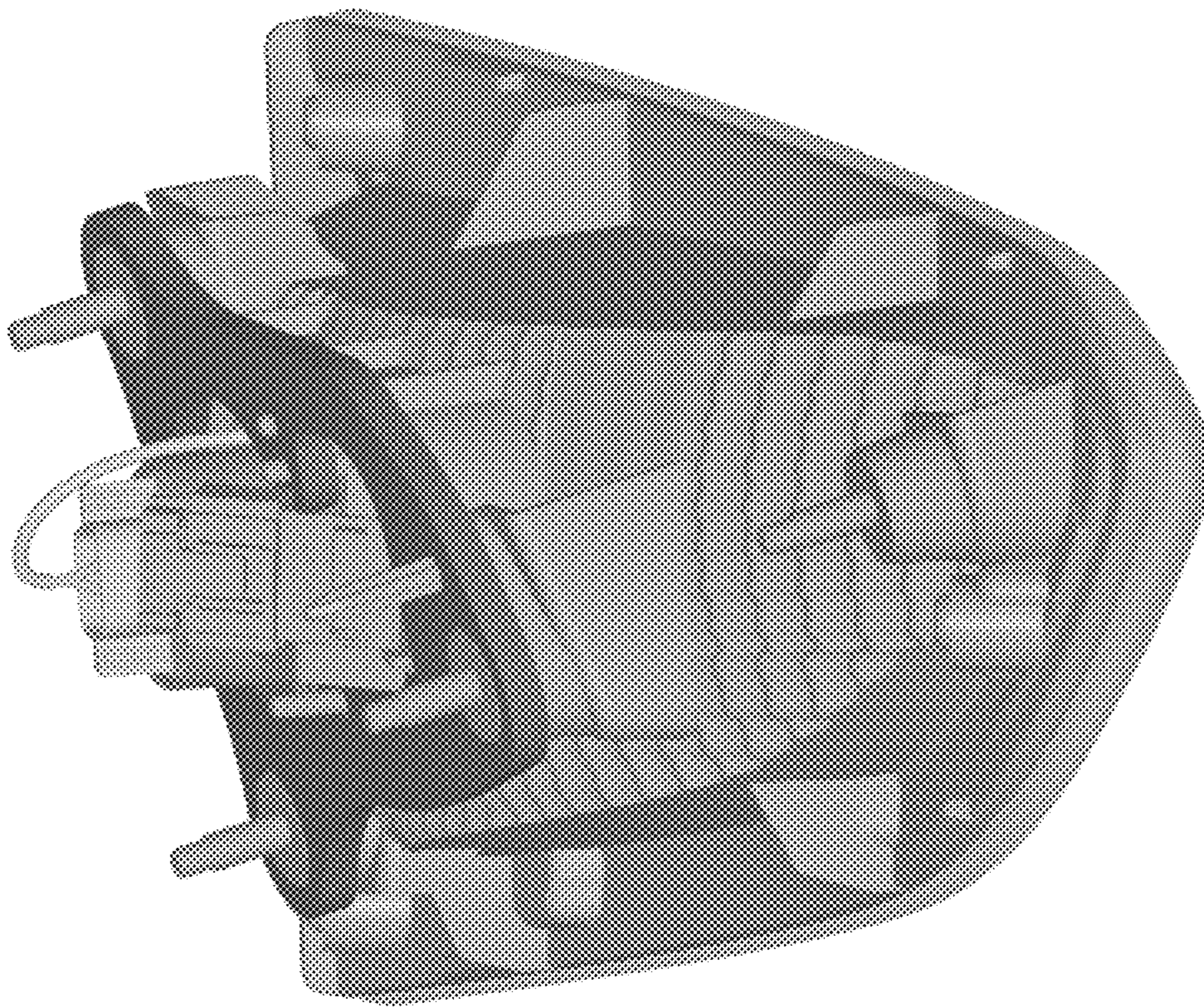
1.2



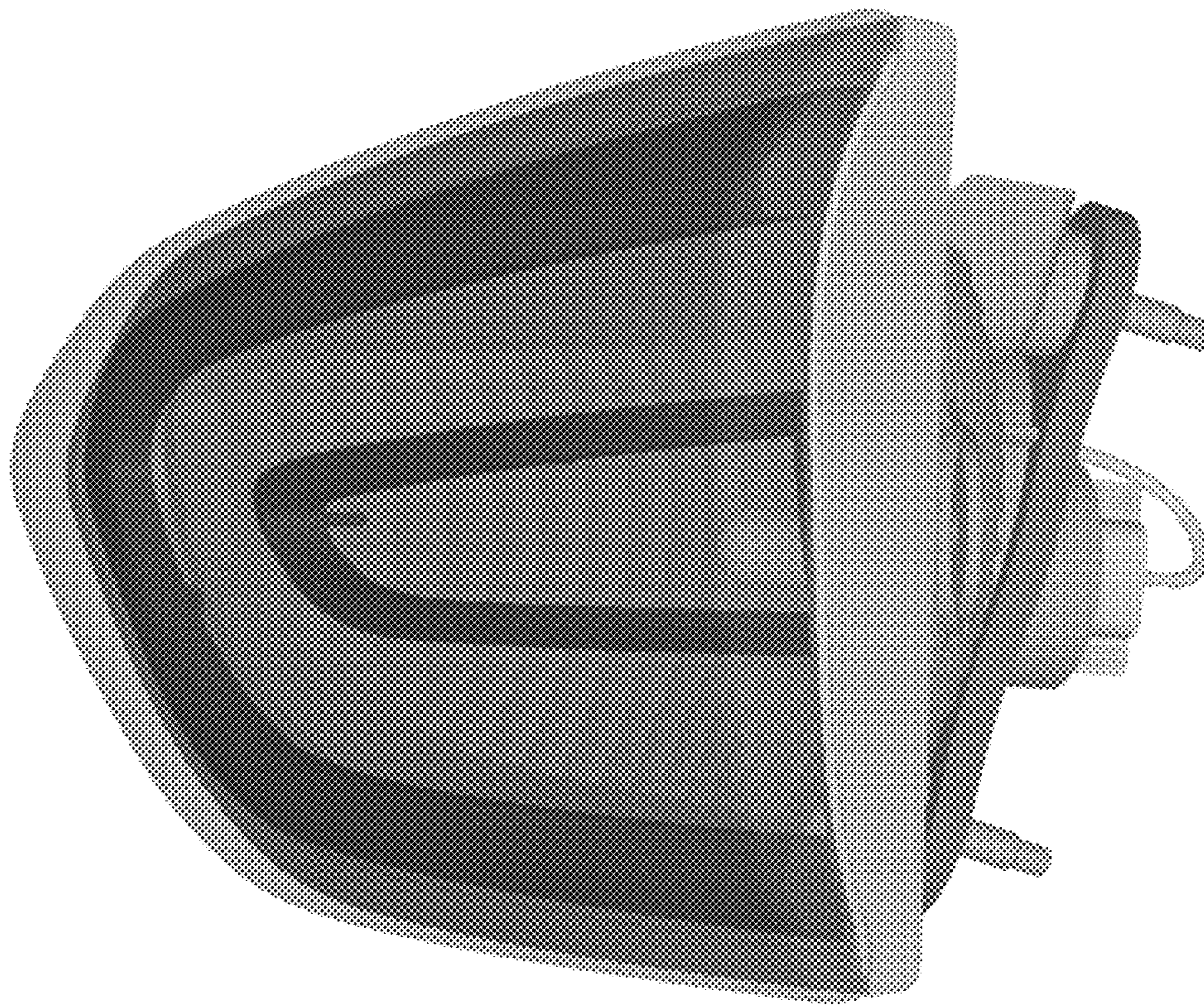
1.3



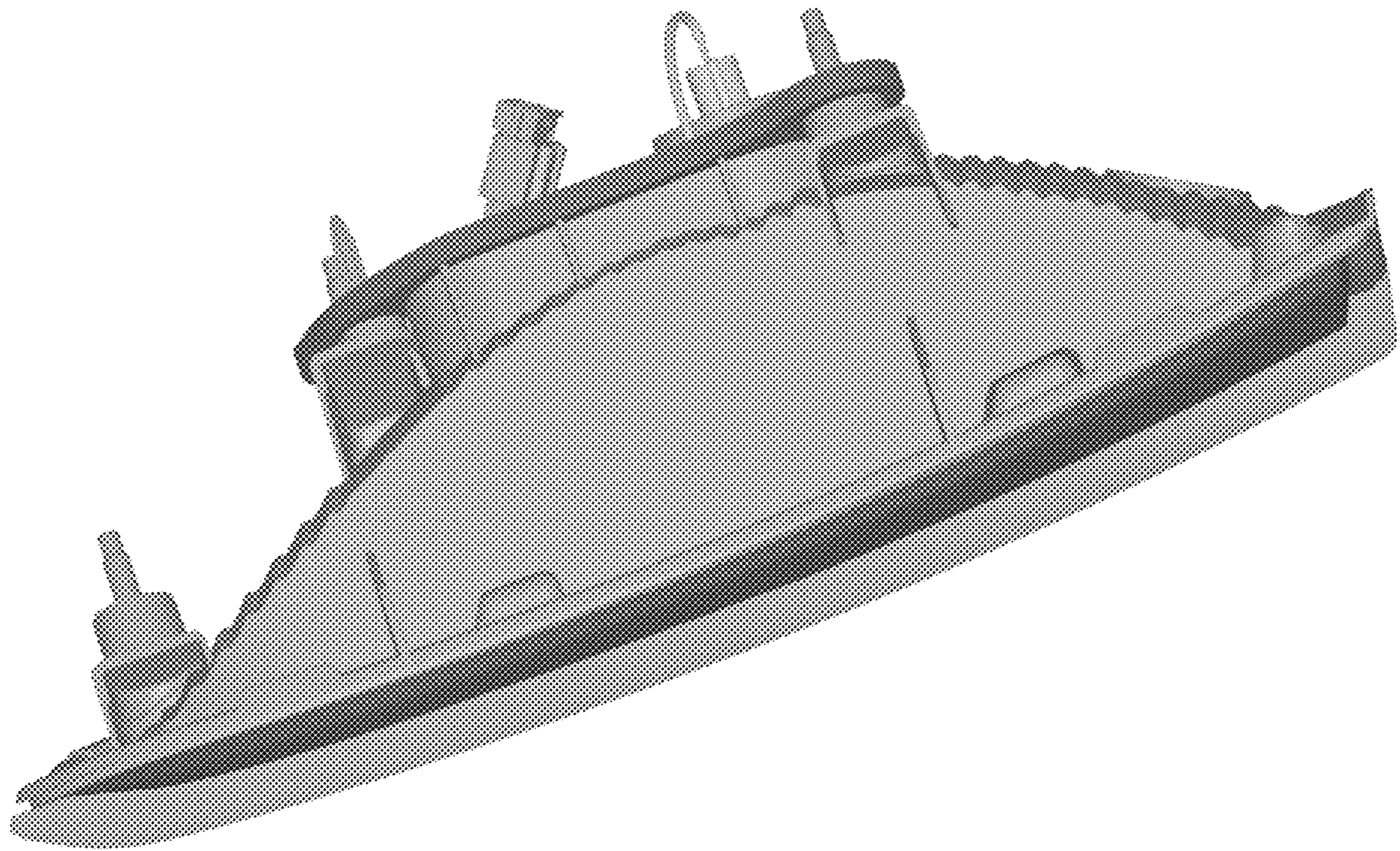
1.4



1.5



1.6



1.7

