



US00D871629S

(12) **United States Design Patent**  
**Lai**

(10) **Patent No.:** **US D871,629 S**

(45) **Date of Patent:** **\*\* Dec. 31, 2019**

(54) **AUTOMOBILE REAR LIGHT**

(71) Applicant: **Ching-Tsung Lai**, Tainan (TW)

(72) Inventor: **Ching-Tsung Lai**, Tainan (TW)

(\*\*) Term: **15 Years**

(21) Appl. No.: **29/665,498**

(22) Filed: **Oct. 3, 2018**

(51) **LOC (12) Cl.** ..... **26-06**

(52) **U.S. Cl.**  
USPC ..... **D26/28**

(58) **Field of Classification Search**  
USPC ..... D26/28-36, 139  
CPC ..... F21S 48/00; F21S 48/10; F21S 48/115;  
F21S 48/225; F21S 48/1233; F21S  
48/1266; F21S 48/1388; F21S 48/2268;  
F21V 21/04; B60Q 9/13; B60Q 9/135;  
B60Q 9/1375  
See application file for complete search history.

(56) **References Cited**

**U.S. PATENT DOCUMENTS**

D752,783 S \* 3/2016 Whang ..... D26/28  
D761,979 S \* 7/2016 Wu ..... D26/28

D774,226 S \* 12/2016 McCabe ..... D26/28  
D782,089 S \* 3/2017 Sagawa ..... D26/28  
D787,727 S \* 5/2017 Lai ..... D26/28  
D794,851 S \* 8/2017 Youn ..... D26/28  
D797,324 S \* 9/2017 Lai ..... D26/28  
D799,728 S \* 10/2017 Whitla ..... D26/28

\* cited by examiner

*Primary Examiner* — Marcus A Jackson

(74) *Attorney, Agent, or Firm* — Alexander Chen, Esq.;  
Inhouse Co. Law Firm

(57) **CLAIM**

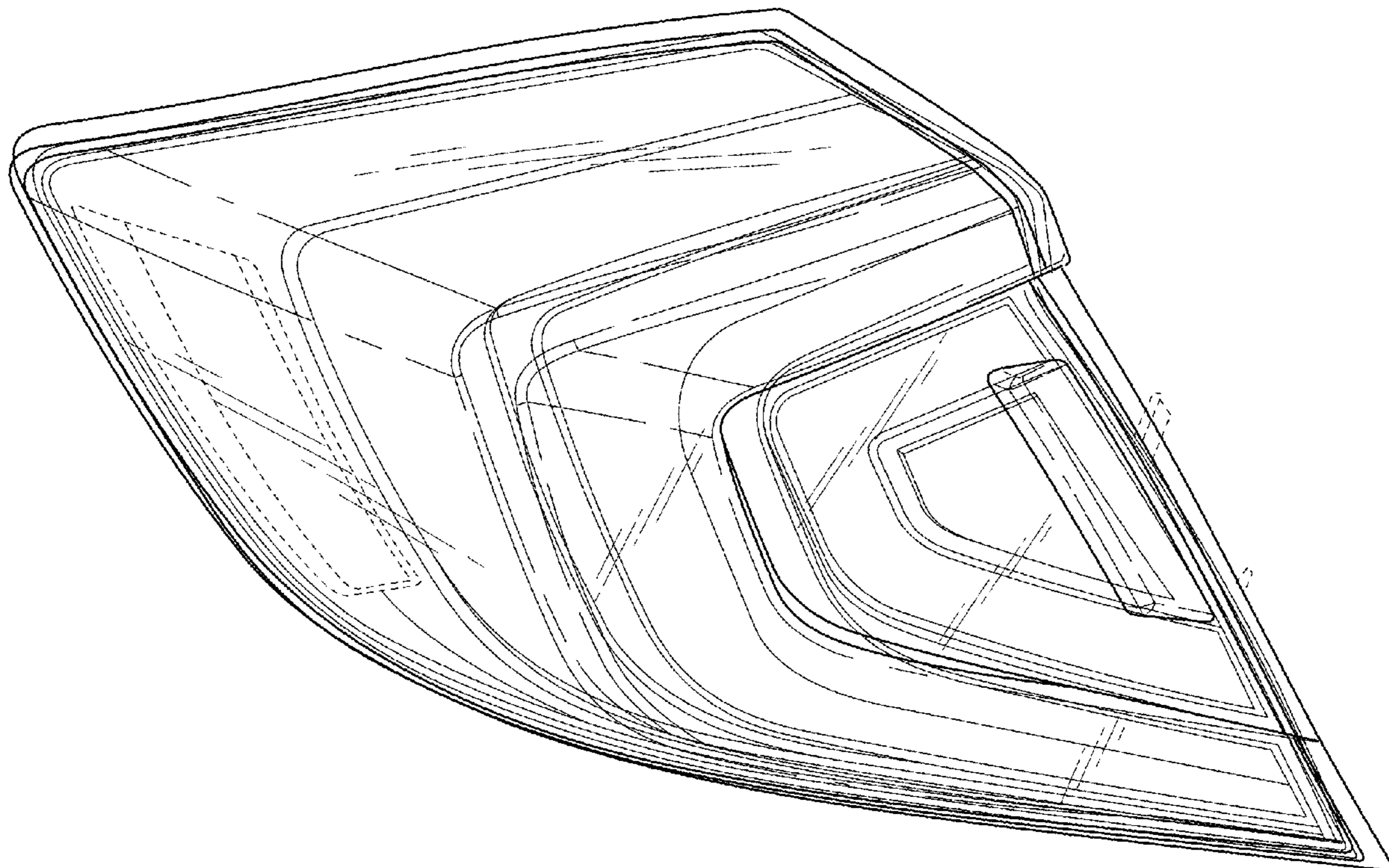
The ornamental design for an automobile rear light, as shown and described.

**DESCRIPTION**

FIG. 1 is a perspective view of an automobile rear light;  
FIG. 2 is a front view thereof;  
FIG. 3 is a side view thereof; and,  
FIG. 4 is a top view thereof.

The broken lines are included to show environmental structure and form no part of the claimed design. The drawings and descriptions represent the left side embodiment. The claim is also for a mirror image right side embodiment.

**1 Claim, 4 Drawing Sheets**



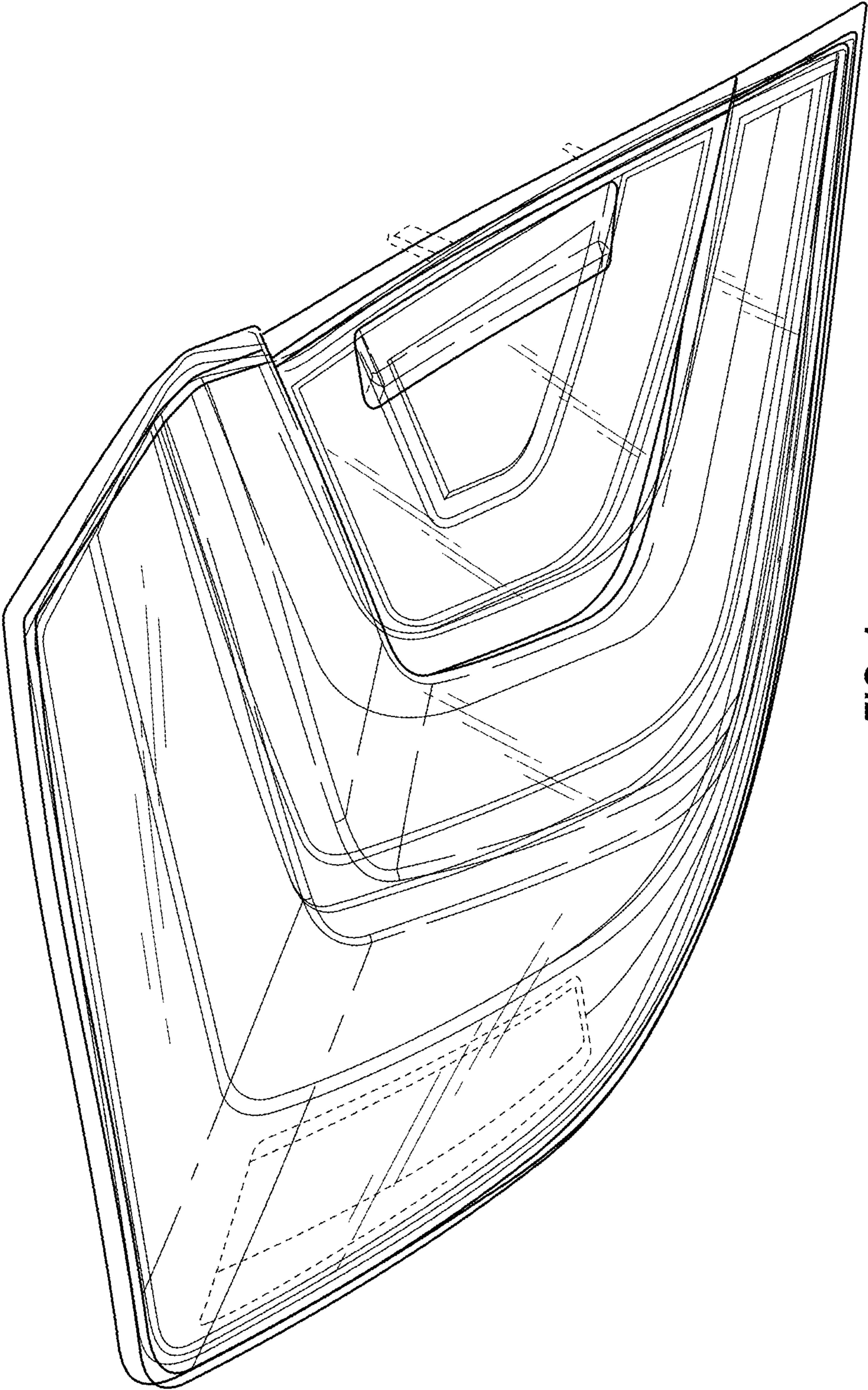


FIG. 1

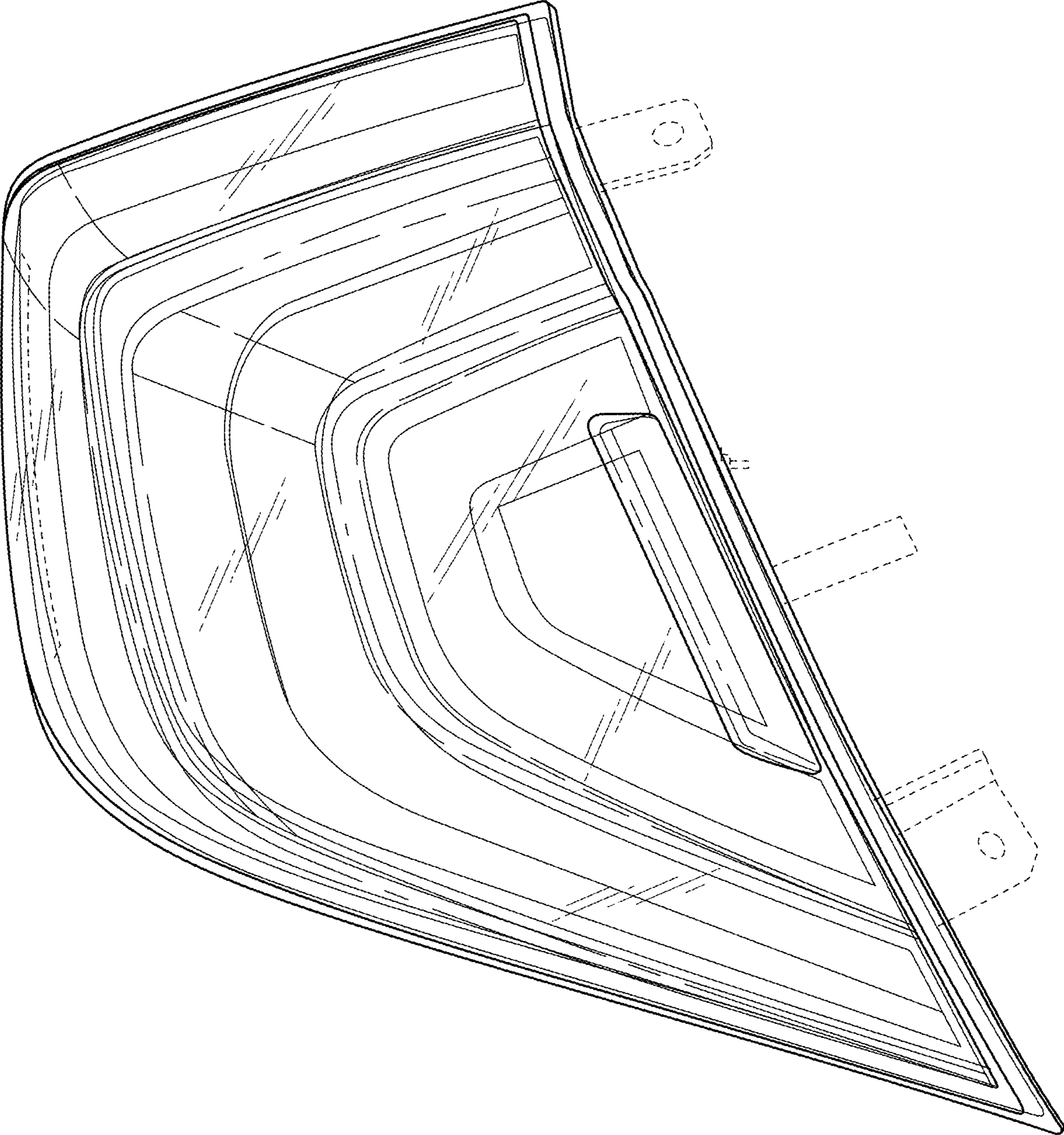


FIG. 2

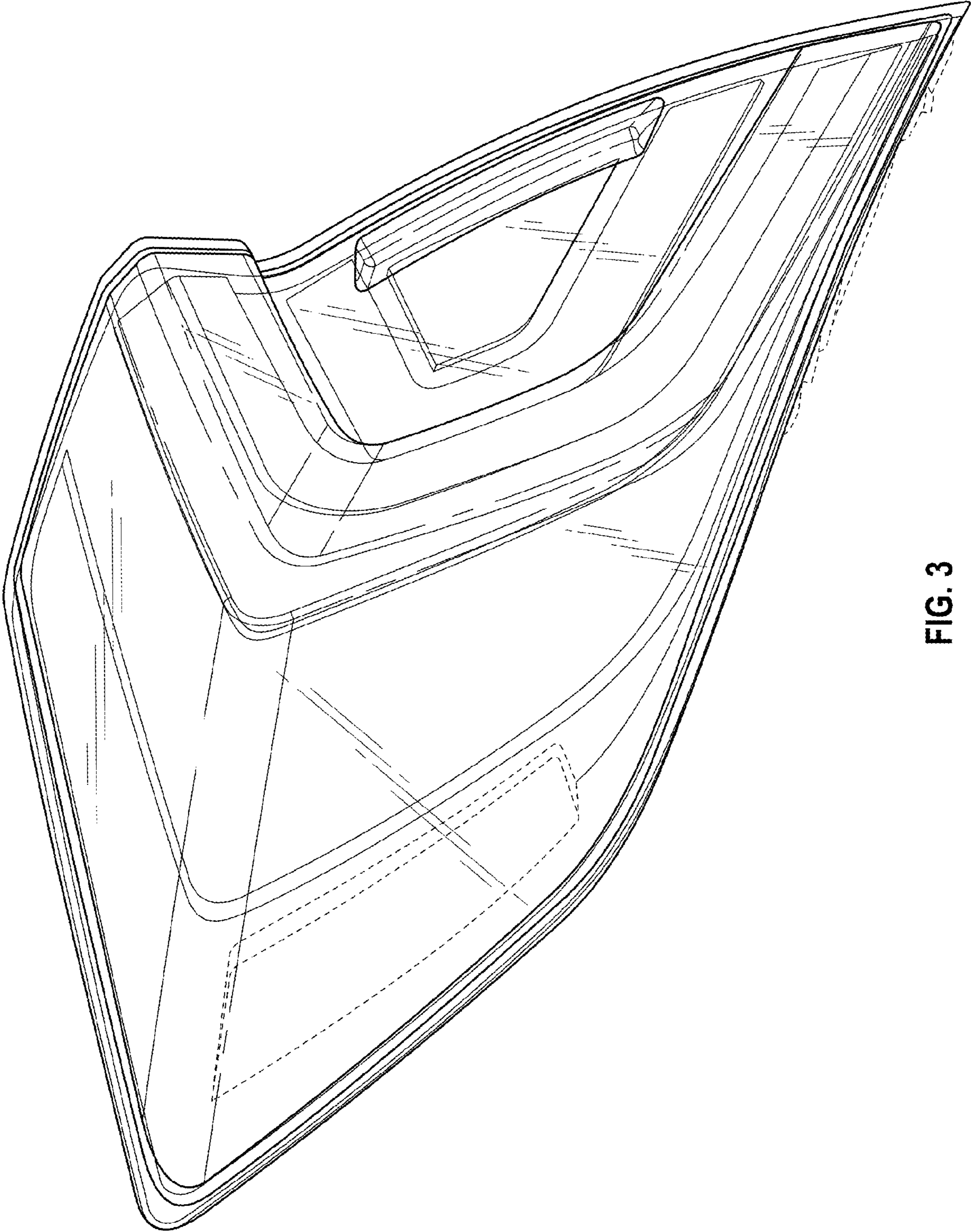


FIG. 3

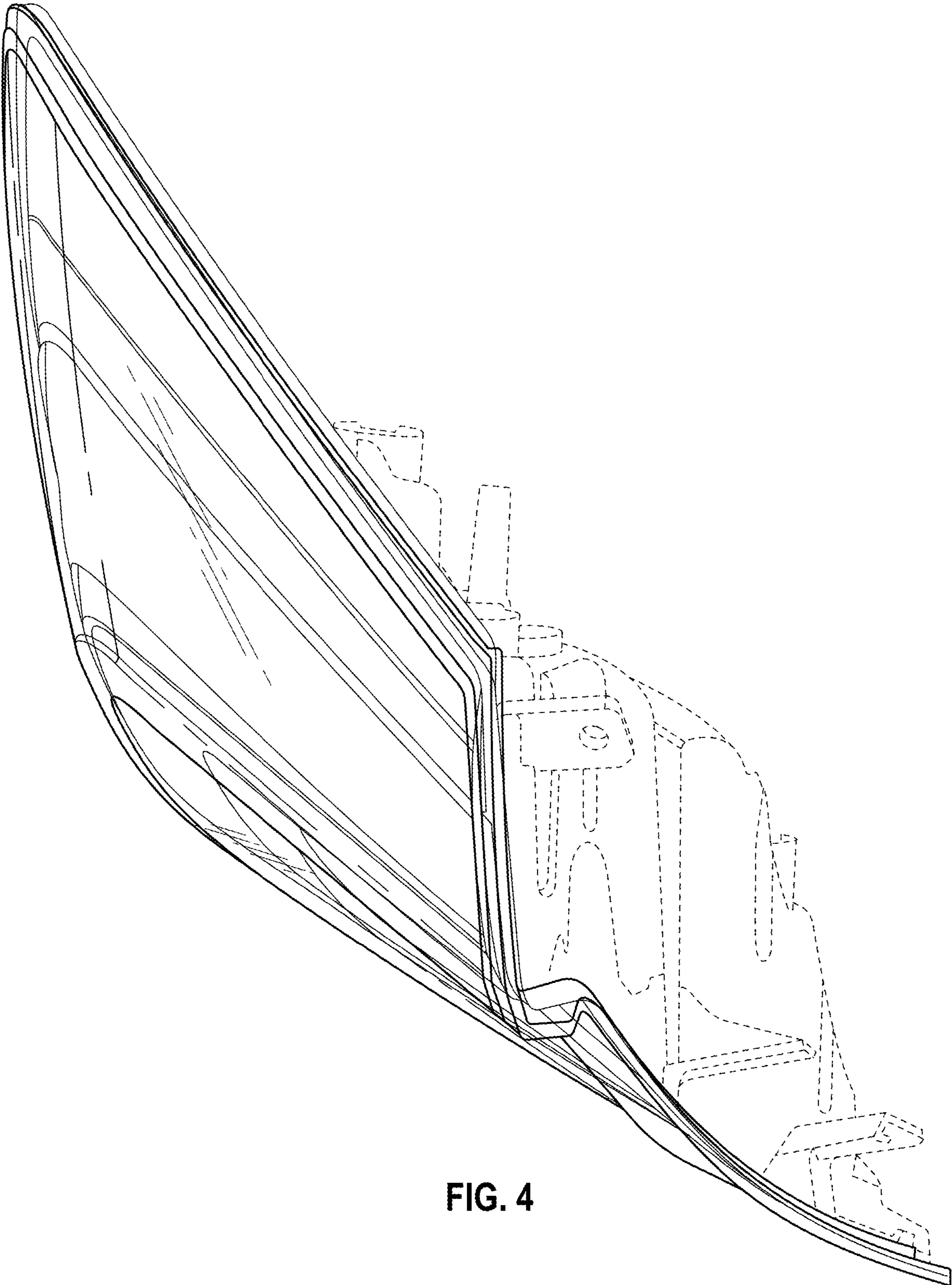


FIG. 4