

US00D871619S

(12) **United States Design Patent**
Wrobel

(10) **Patent No.:** **US D871,619 S**

(45) **Date of Patent:** **** Dec. 31, 2019**

(54) **CANDLE HOLDER**

(71) Applicant: **KORONA CANDLES S.A.**, Wielun (PL)

(72) Inventor: **Andrzej Wrobel**, Wielun (PL)

(73) Assignee: **KORONA CANDLES S.A.**, Wielun (PL)

(**) Term: **15 Years**

(21) Appl. No.: **29/619,899**

(22) Filed: **Oct. 3, 2017**

(30) **Foreign Application Priority Data**

Jul. 20, 2017 (EM) 004112498-0002

(51) **LOC (12) Cl.** **26-01**

(52) **U.S. Cl.**
USPC **D26/9**

(58) **Field of Classification Search**
USPC D26/6-23; D9/428, 500-504, 558;
D7/396.2, 584, 587, 624.1, 624.2; D3/10,
D3/17, 20, 201, 203.1, 203.2; D6/551;
D34/10

CPC C12M 23/10; A47G 23/03; F21V 35/00
See application file for complete search history.

(56) **References Cited**

U.S. PATENT DOCUMENTS

D304,275 S * 10/1989 Kiefer D7/584
5,134,070 A * 7/1992 Casnig C12M 23/10
204/406
D348,183 S * 6/1994 Sawatsky D7/624.1
D365,498 S * 12/1995 Lillelund D7/505
D386,358 S * 11/1997 Pfeilsticker D7/553.6
D415,295 S * 10/1999 Kochis D26/11
D421,129 S * 2/2000 Haynes D24/224

D508,742 S * 8/2005 van Bekhoven D26/9
D553,913 S * 10/2007 Jackson D7/587
D565,253 S * 3/2008 Modi D30/129
D578,654 S * 10/2008 Chianea D24/224
D651,923 S * 1/2012 Cronin D27/172
D664,687 S * 7/2012 Inana D26/6
D672,891 S * 12/2012 McLaren D26/6
D685,603 S * 7/2013 Mishan D7/354
D686,512 S * 7/2013 Hamilton D3/264
D690,166 S * 9/2013 Montgomery D7/586
D698,939 S * 2/2014 Wainwright D24/224
D736,848 S * 8/2015 Kim D16/136
D751,135 S * 3/2016 Bould D16/237
D751,392 S * 3/2016 Wu D7/392.1
D768,511 S * 10/2016 Kovacovich D27/183
D777,034 S * 1/2017 Sill D9/454
D790,088 S * 6/2017 Yeffet D26/22
D795,311 S * 8/2017 Kraemer D15/89

FOREIGN PATENT DOCUMENTS

EM 000364039-0001 * 6/2005

* cited by examiner

Primary Examiner — Ian Simmons

Assistant Examiner — Keith Frank

(74) *Attorney, Agent, or Firm* — Mark M. Friedman

(57) **CLAIM**

The ornamental design for a candle holder, as shown and described.

DESCRIPTION

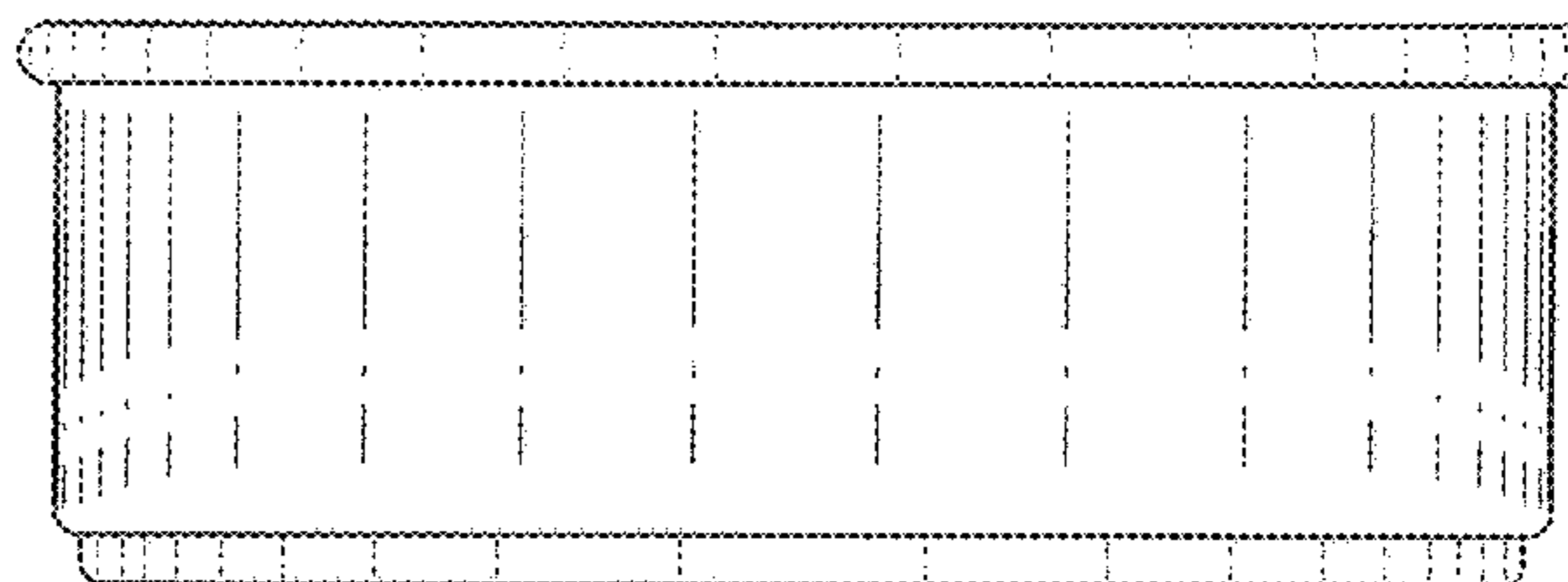
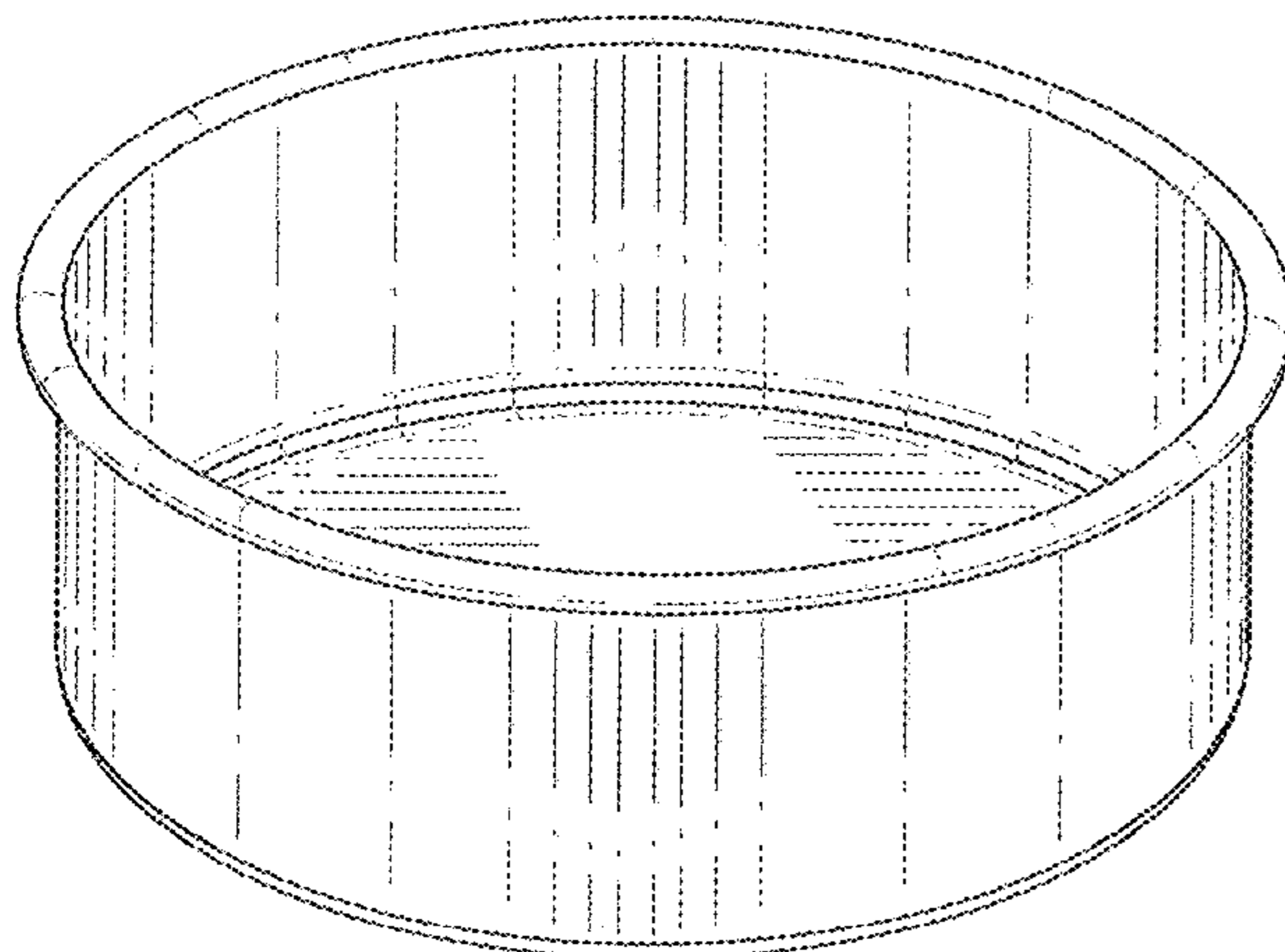
FIG. 1 is a perspective view of a candle holder showing my new design; and,

FIG. 2 is a front elevation view thereof, the rear, left and right elevations being identical.

The rear view is a mirror image of the front side.

The left and right sides are identical with the front side.

1 Claim, 2 Drawing Sheets



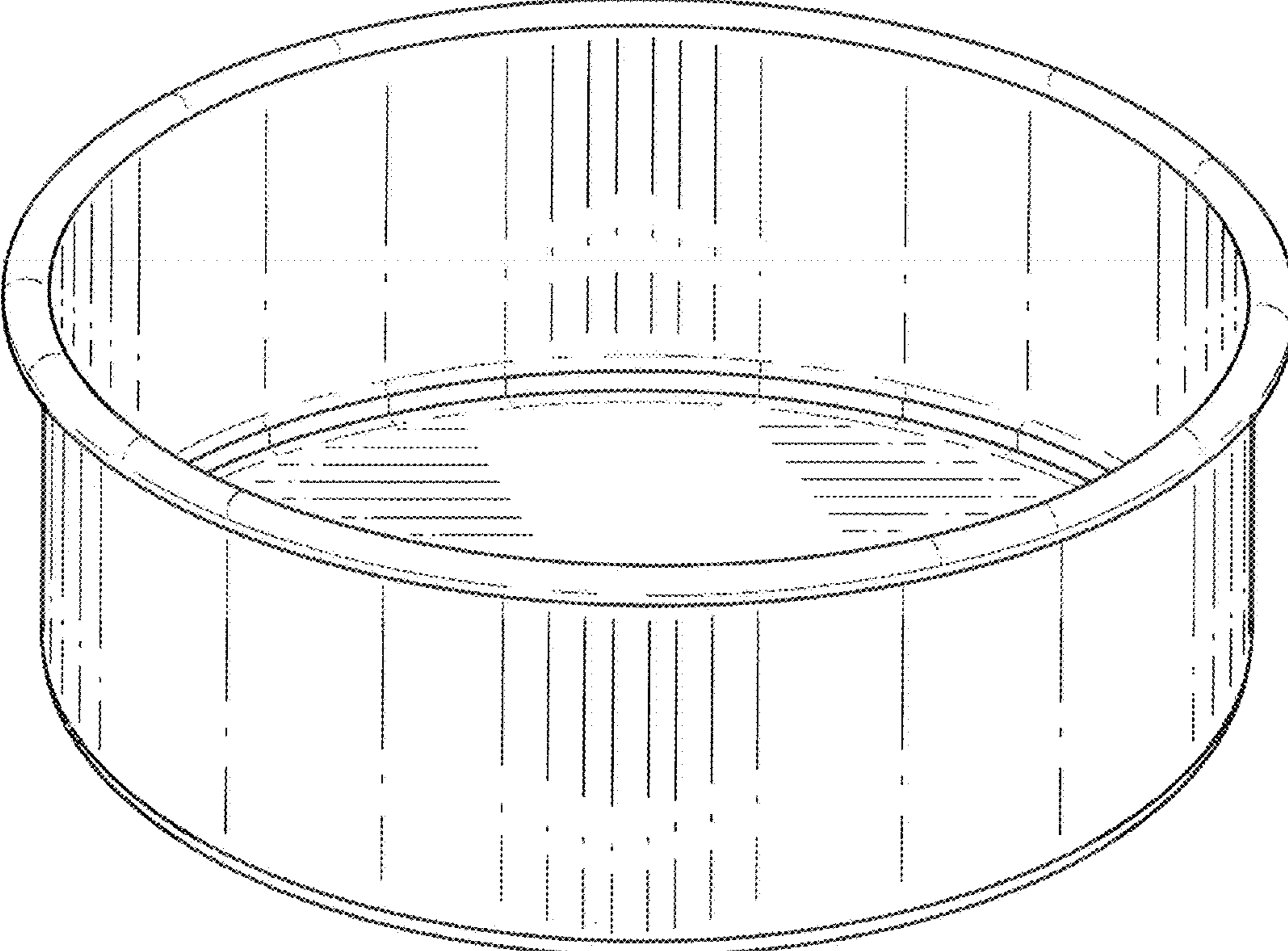


FIG. 1

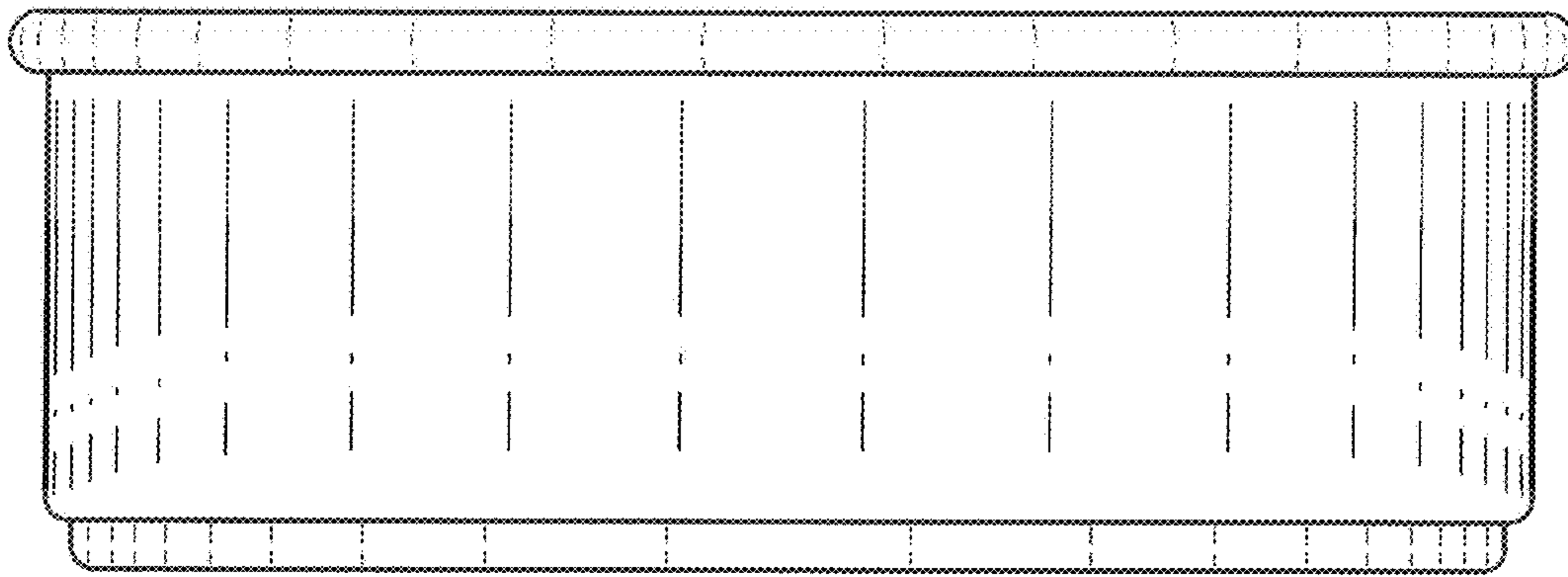


FIG. 2