



US00D871618S

(12) **United States Design Patent** (10) **Patent No.:** **US D871,618 S**
Xing (45) **Date of Patent:** **** Dec. 31, 2019**

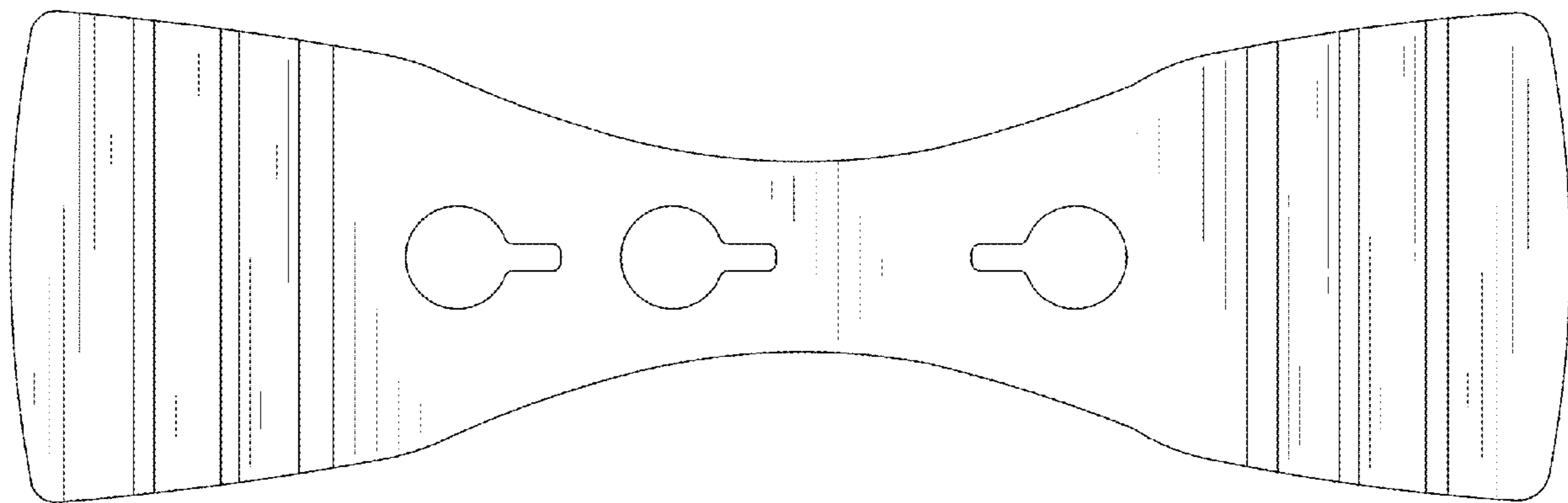
(54) **WICK CENTERING DEVICE**
(71) Applicant: **Sicheng Xing**, Foshan (CN)
(72) Inventor: **Sicheng Xing**, Foshan (CN)
(**) Term: **15 Years**
(21) Appl. No.: **29/630,771**
(22) Filed: **Dec. 22, 2017**
(51) **LOC (12) Cl.** **26-04**
(52) **U.S. Cl.**
USPC **D26/6**
(58) **Field of Classification Search**
USPC D26/1-6
CPC H01R 5/00; H01R 13/46; H01R 13/514;
H01R 31/048; H01R 31/02; H01J 5/00;
H01J 5/16; H01J 1/02; H01J 15/00; H01J
5/48; H01J 5/50; H01J 19/54; F21V 5/00;
F21K 9/00; F21K 29/004
See application file for complete search history.

(56) **References Cited**
U.S. PATENT DOCUMENTS
D248,689 S * 7/1978 Maxwell D26/6
* cited by examiner
Primary Examiner — Marcus A Jackson

(57) **CLAIM**
The ornamental design for a wick centering device, as shown and described.

DESCRIPTION
FIG. 1 is a front plan view of a wick centering device showing my new design;
FIG. 2 is a rear plan view thereof;
FIG. 3 is a left plan view thereof;
FIG. 4 is a right plan view thereof;
FIG. 5 is a top plan view thereof; and,
FIG. 6 is a bottom plan view thereof.

1 Claim, 6 Drawing Sheets



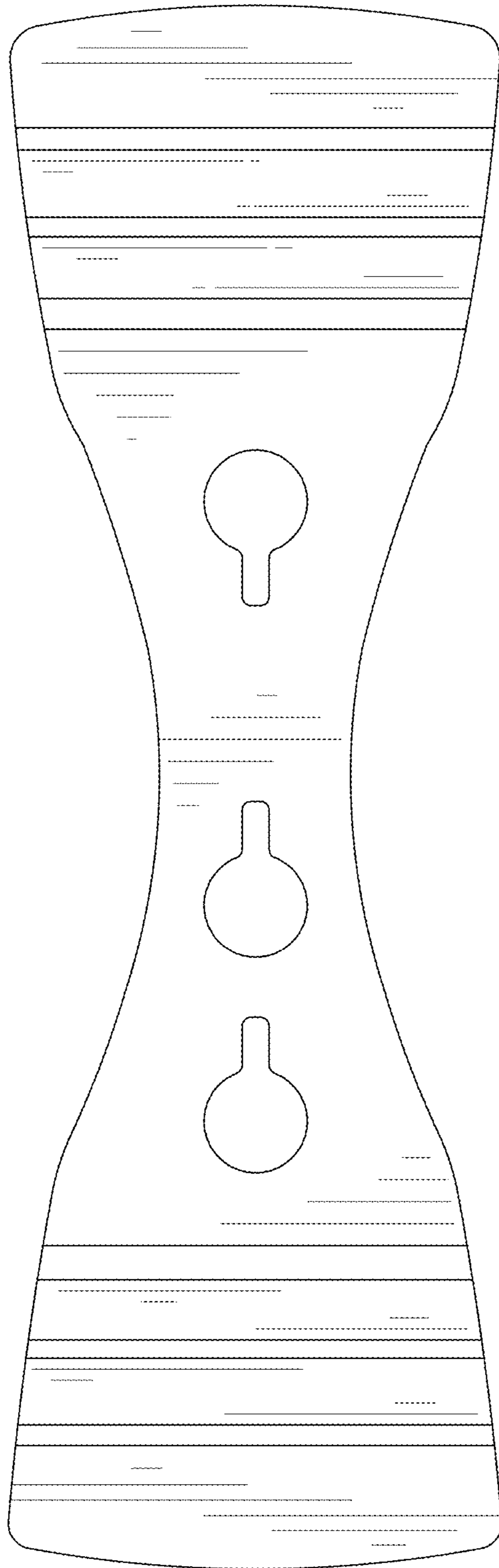


FIG. 1

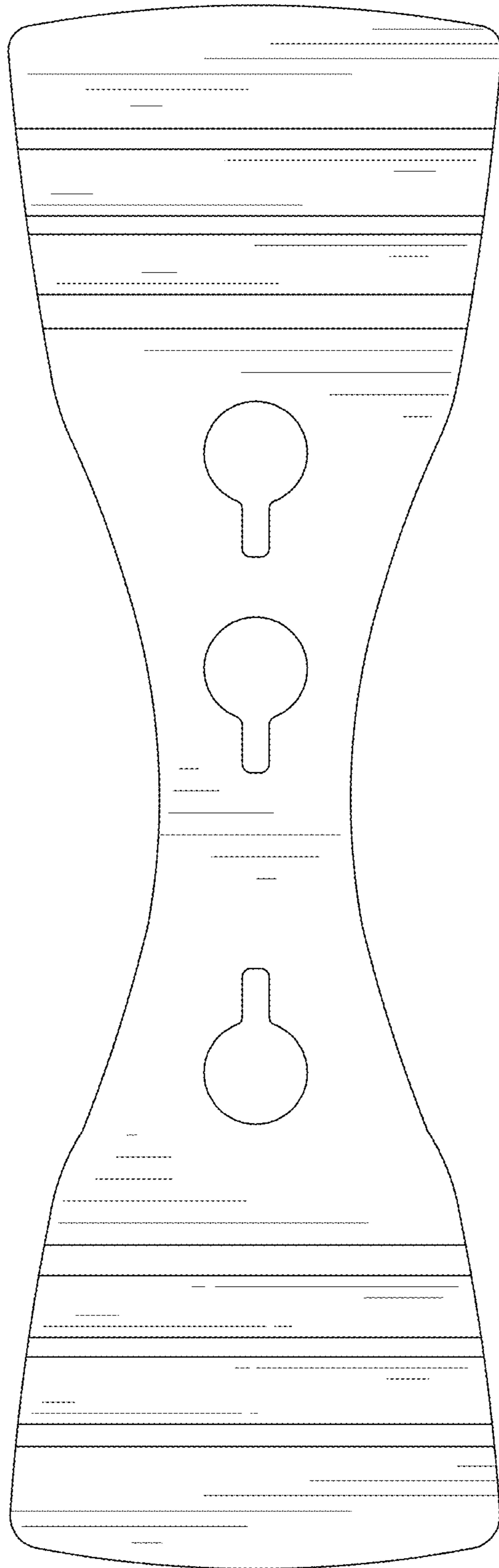


FIG. 2

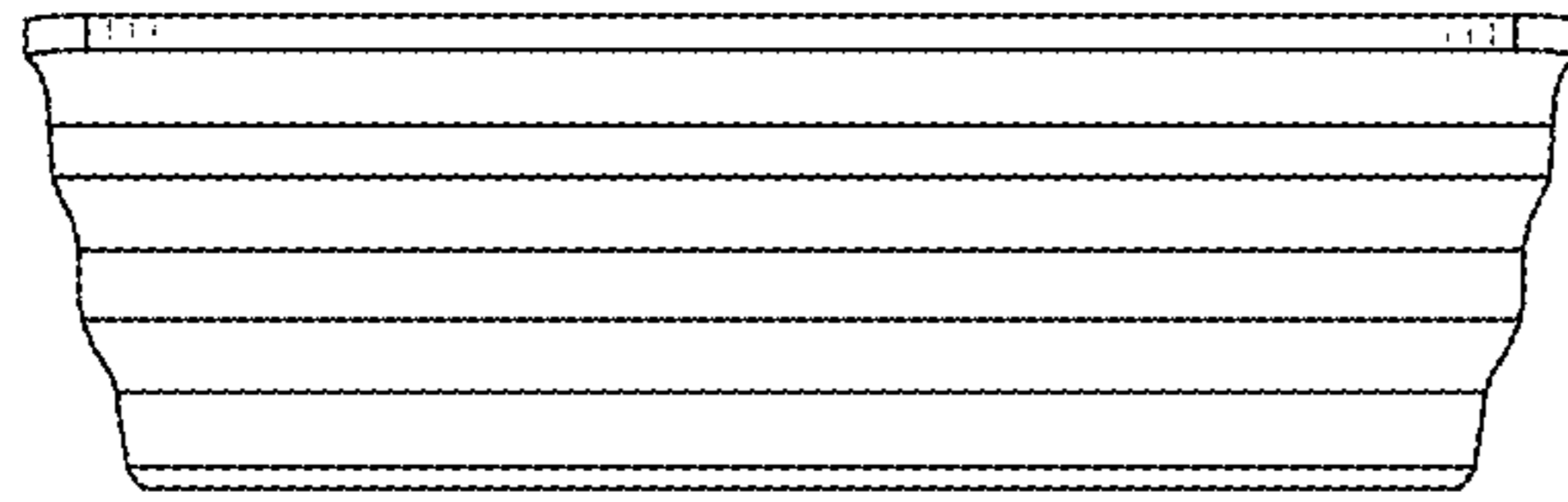


FIG. 3

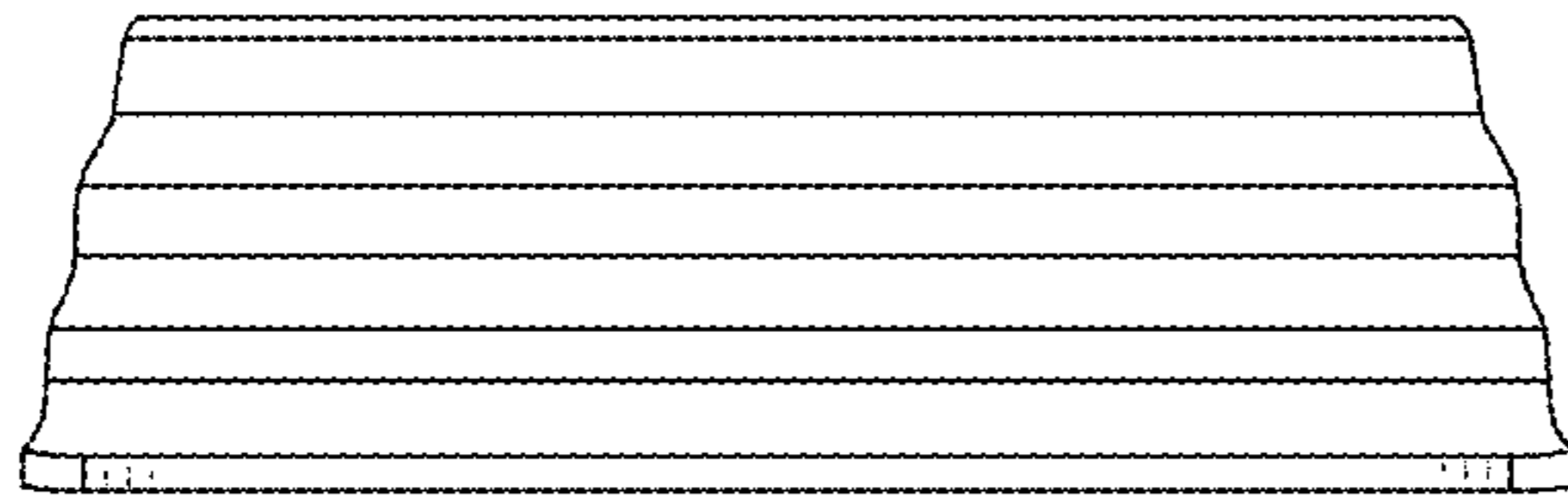


FIG. 4



FIG. 5



FIG. 6