



US00D871617S

(12) **United States Design Patent** (10) **Patent No.:** **US D871,617 S**
Rosenius (45) **Date of Patent:** **** Dec. 31, 2019**

(54) **LAMP PART**
(71) Applicant: **ARTEMIDE S.p.A.**, Milan (IT)
(72) Inventor: **Tapio Rosenius**, Milan (IT)
(73) Assignee: **ARTEMIDE S.P.A.** (IT)
(**) Term: **15 Years**

D688,821 S * 8/2013 Fuersich D26/2
D701,629 S * 3/2014 Steedly D26/2
D734,533 S * 7/2015 Lovegrove D26/118
D789,567 S * 6/2017 Katterheinrich D26/2
2013/0093108 A1* 4/2013 Scolari A61L 9/122
261/146
2017/0265263 A1* 9/2017 Zanola F21V 14/02

(21) Appl. No.: **29/617,335**
(22) Filed: **Sep. 13, 2017**

(30) **Foreign Application Priority Data**

Mar. 13, 2017 (EM) 003796911

(51) **LOC (12) Cl.** **26-04**
(52) **U.S. Cl.**
USPC **D26/2**

(58) **Field of Classification Search**
USPC D26/1-6, 22, 72, 74, 78, 88, 89, 93, 106,
D26/113-116, 118, 120, 121, 138;
D13/169, 174; D22/117; D8/305-312
CPC A01G 13/06; C11C 5/006; F21L 17/00;
F21L 4/005; F23D 3/16; F23D 3/18;
F21V 33/0064; F41B 15/022; F41B
15/025

See application file for complete search history.

(56) **References Cited**

U.S. PATENT DOCUMENTS

D446,321 S * 8/2001 Lin D26/1
D626,666 S * 11/2010 Yamamoto D26/2
D642,300 S * 7/2011 Leung D26/24
D650,926 S * 12/2011 Lai D26/2
D672,494 S * 12/2012 Kong D26/113
D679,446 S * 4/2013 Harrington, Jr. D26/124
D682,447 S * 5/2013 Lyu D26/2

OTHER PUBLICATIONS

Artemide LoT Reflector floor recessed found online [Apr. 26, 2018]—<https://www.stylepark.com/en/artemide-architectural/lot-reflector-floor-recessed>.*

* cited by examiner

Primary Examiner — Lakiya G Rogers

Assistant Examiner — John A Voytek

(74) *Attorney, Agent, or Firm* — The Belles Group, P.C.

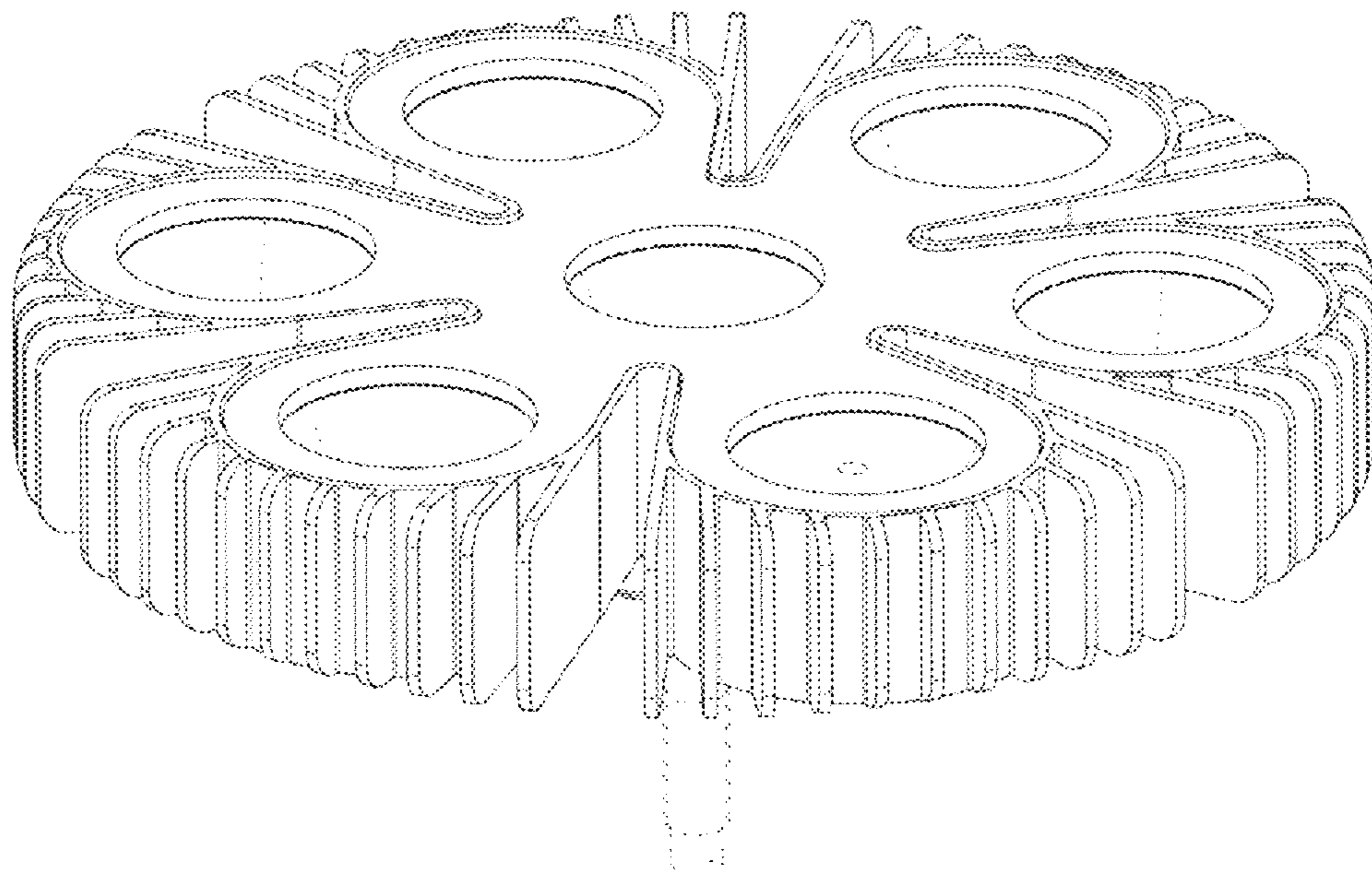
(57) **CLAIM**

The ornamental design for a lamp part, as shown and described.

DESCRIPTION

FIG. 1 is a perspective view of a lamp part in accordance with the present design;
FIG. 2 is a left-side view thereof;
FIG. 3 is a right-side view thereof;
FIG. 4 is a front view thereof;
FIG. 5 is a rear view thereof;
FIG. 6 is a top view thereof; and,
FIG. 7 is a bottom view thereof.
The broken lines in the drawings illustrate portions of the lamp part that form no part of the claimed design.

1 Claim, 7 Drawing Sheets



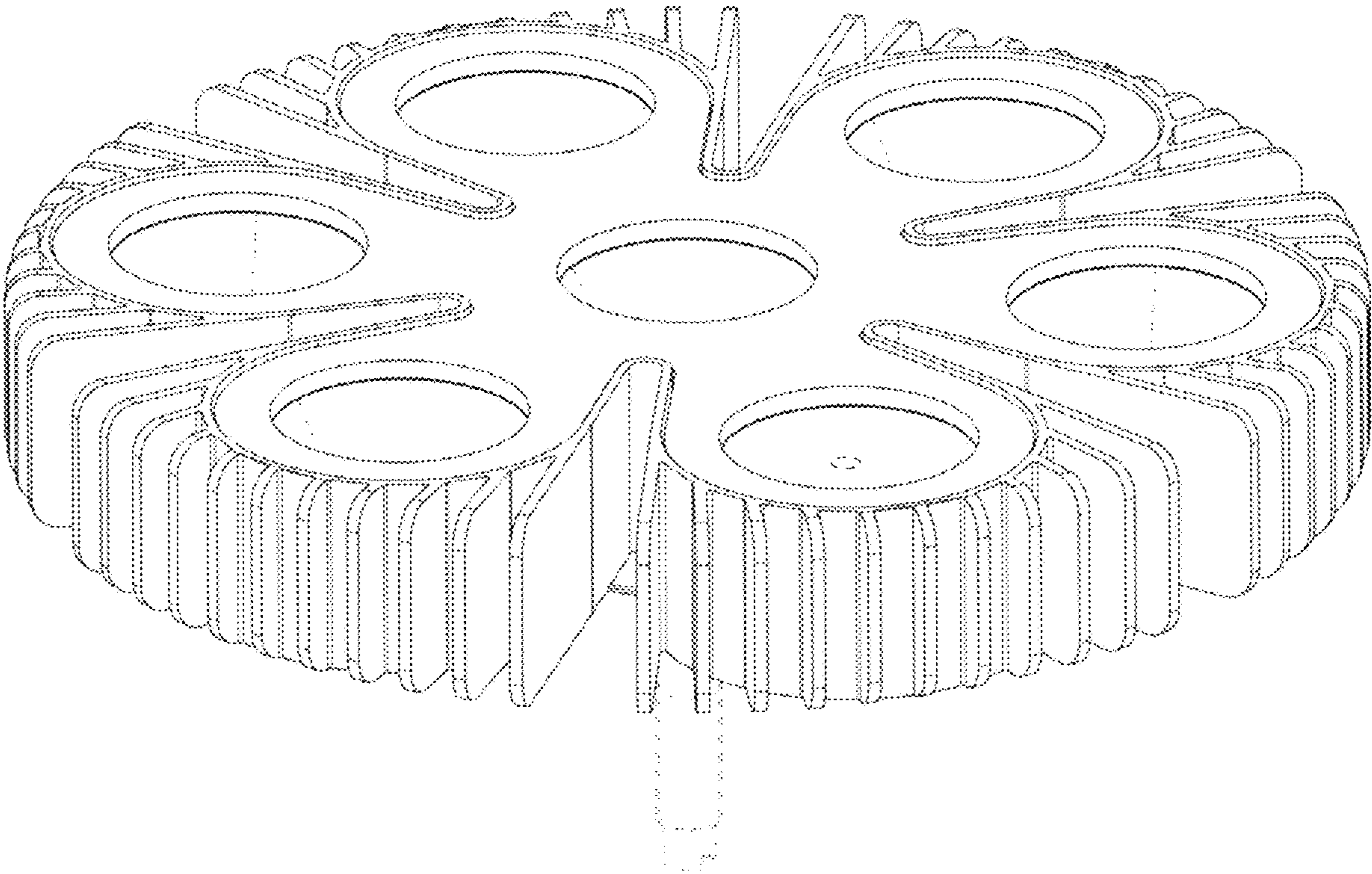


FIG. 1

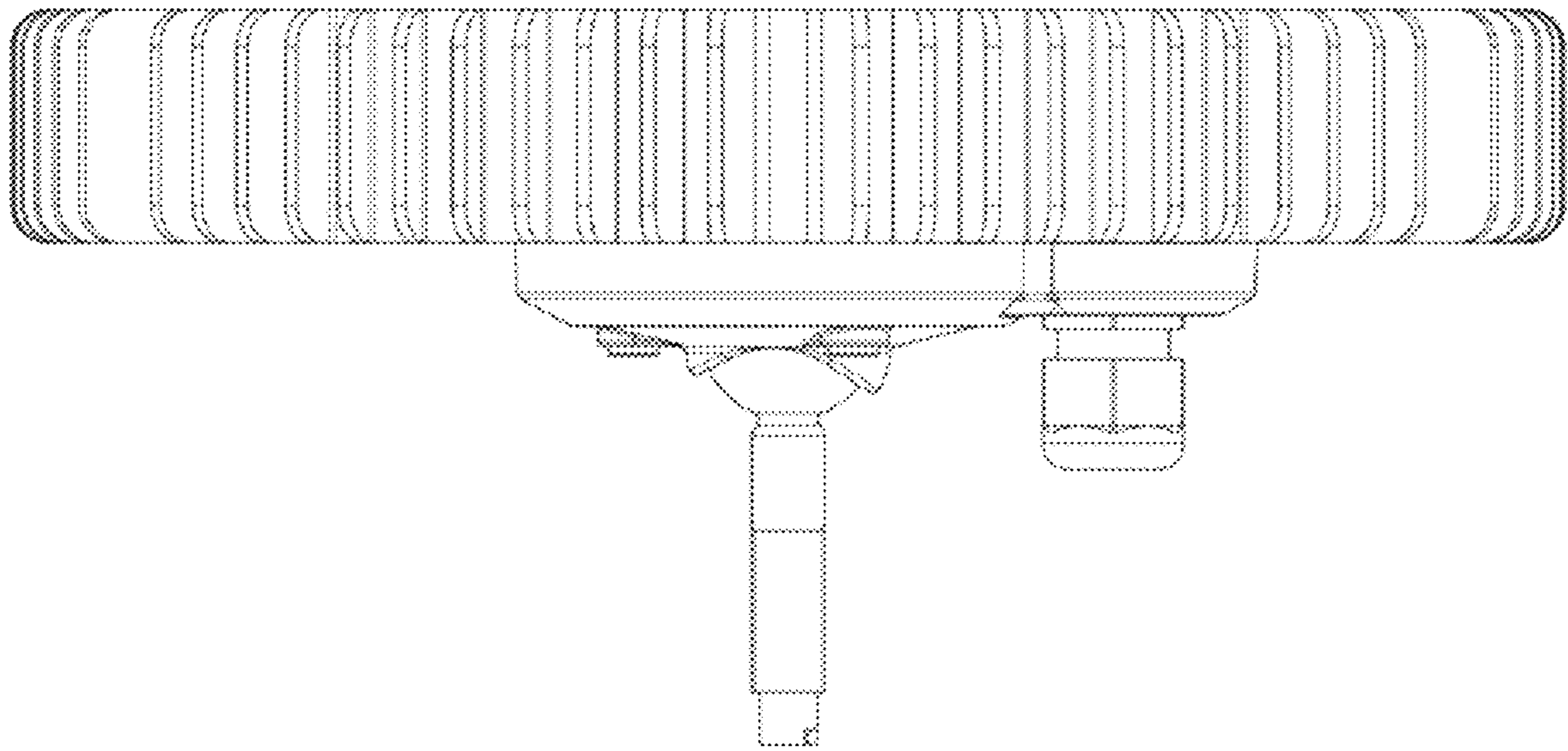


FIG. 2

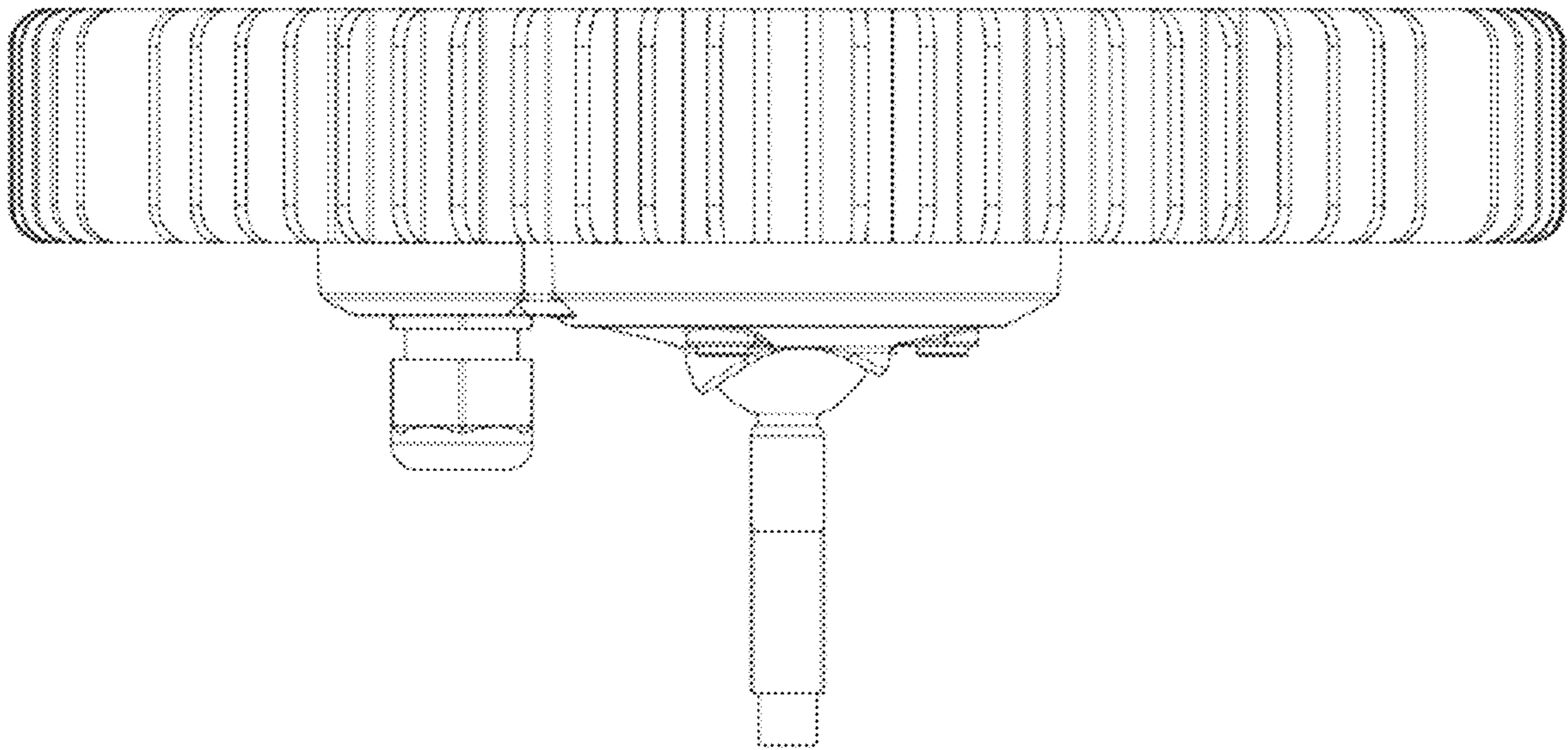


FIG. 3

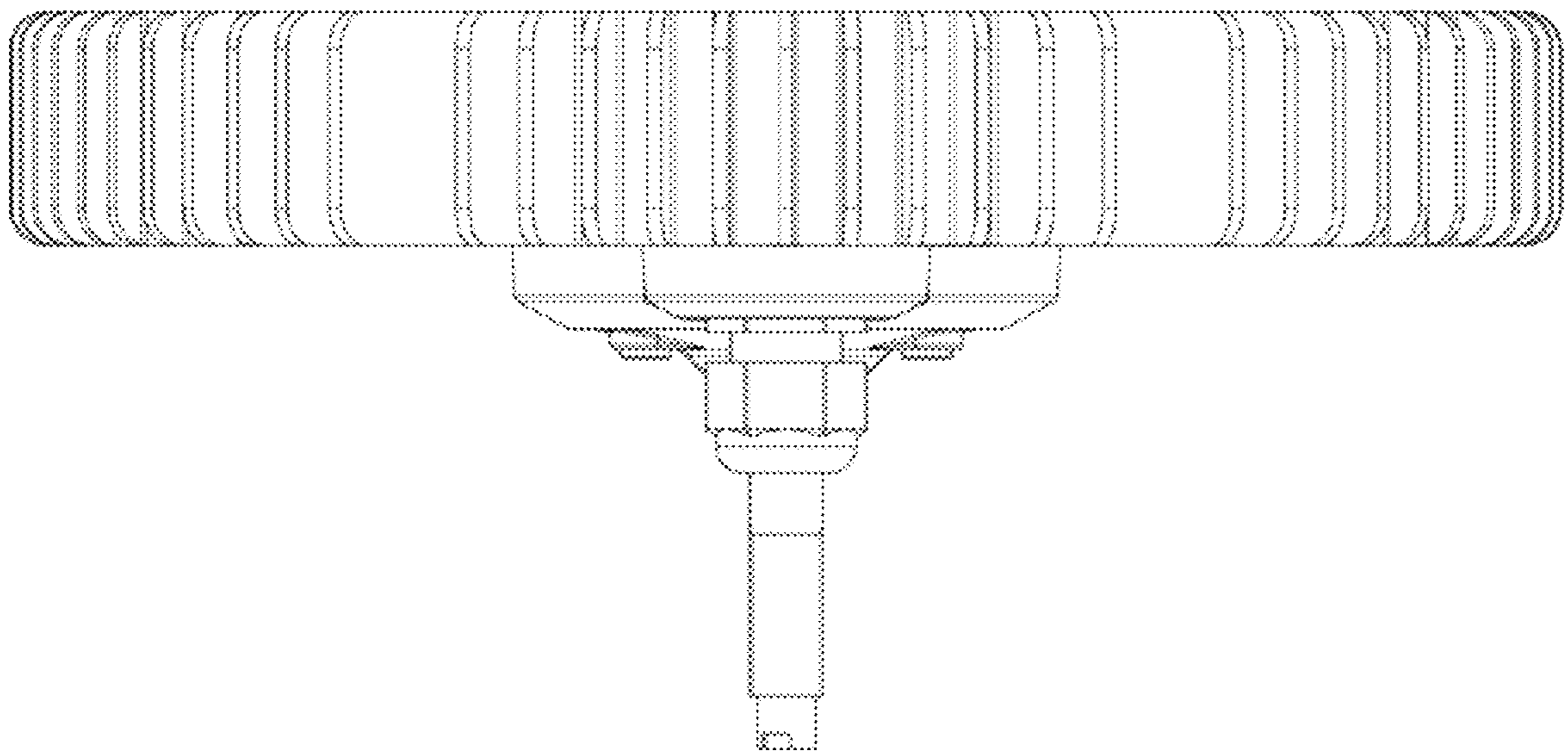


FIG. 4

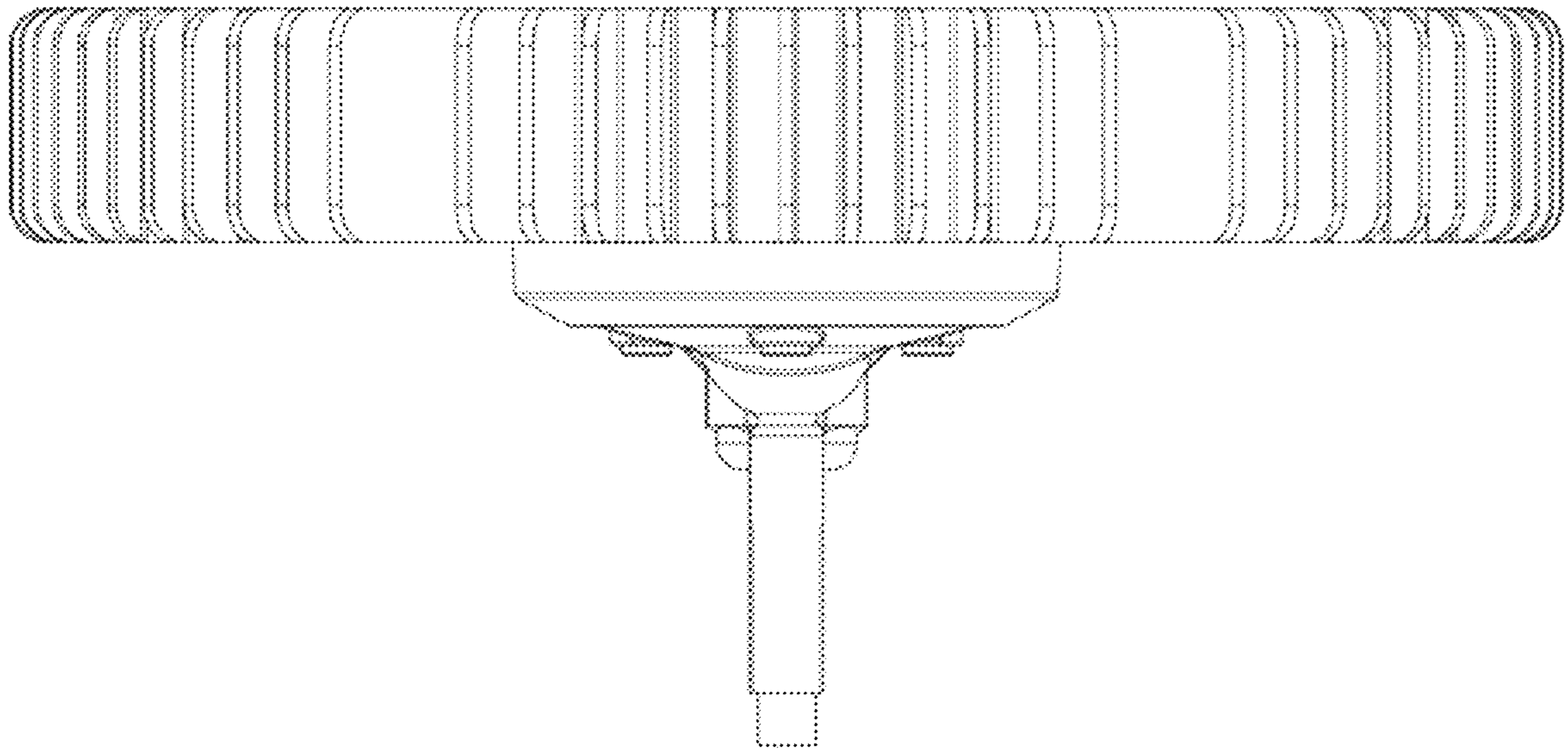


FIG. 5

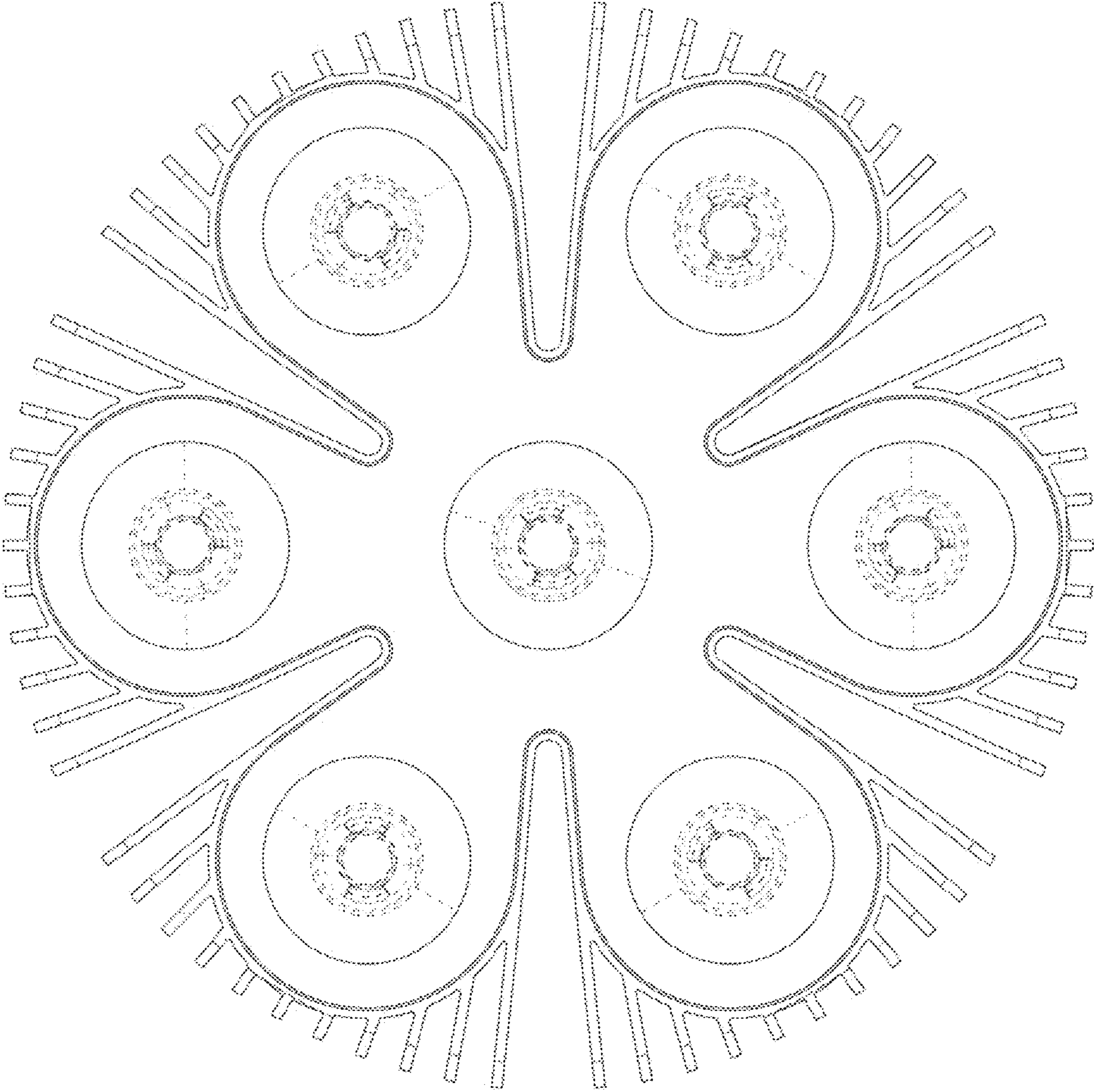


FIG. 6

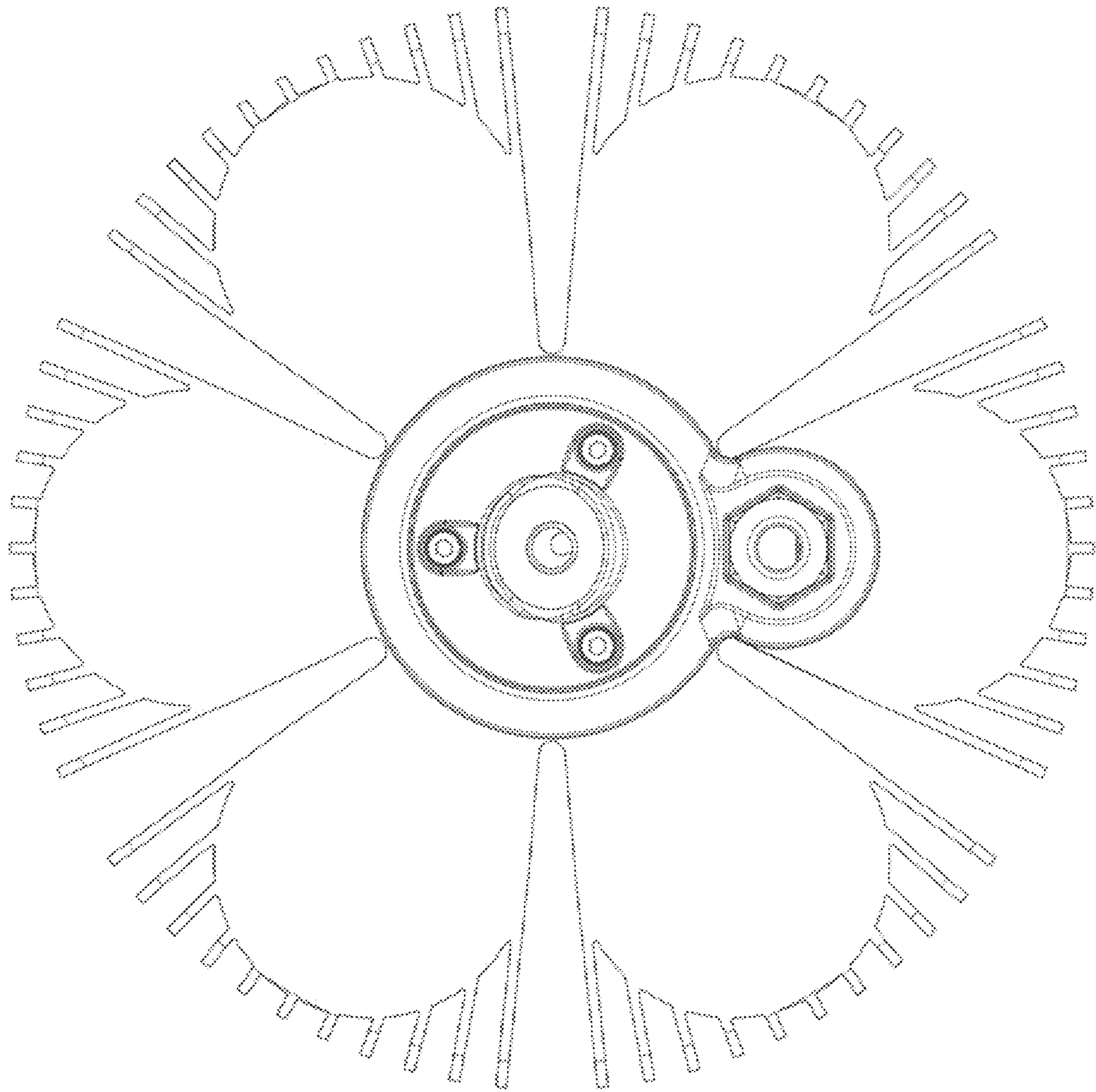


FIG. 7