



US00D871615S

(12) **United States Design Patent**  
**Steffes et al.**

(10) **Patent No.:** **US D871,615 S**  
(45) **Date of Patent:** **\*\* Dec. 31, 2019**

- (54) **CORNER SIDING**
- (71) Applicant: **CERTAINEED CORPORATION**,  
Malvern, PA (US)
- (72) Inventors: **Stephen W. Steffes**, McPherson, KS  
(US); **David J. Stucky**, Grass Lake, MI  
(US)
- (73) Assignee: **CERTAINEED CORPORATION**,  
Malvern, PA (US)
- (\*\*) Term: **15 Years**
- (21) Appl. No.: **29/679,257**
- (22) Filed: **Feb. 4, 2019**

- 2,849,757 A \* 9/1958 Meldrum ..... E04F 13/0864  
52/105
- 3,363,380 A \* 1/1968 Merrill ..... E04D 1/06  
52/420
- 3,579,940 A \* 5/1971 Greenleaf ..... E04D 1/20  
52/542
- 3,667,184 A 6/1972 Merrill et al.
- 3,720,031 A \* 3/1973 Wilson ..... E04D 1/365  
52/520
- 3,943,677 A \* 3/1976 Carothers ..... E04D 1/265  
52/309.4
- 4,920,721 A \* 5/1990 Pressutti ..... E04D 1/20  
52/518

(Continued)

*Primary Examiner* — Kevin K Rudzinski  
*Assistant Examiner* — Kimberly Barnes  
 (74) *Attorney, Agent, or Firm* — Abel Schillinger, LLP;  
 Thomas H. Osborn

**Related U.S. Application Data**

- (62) Division of application No. 29/554,132, filed on Feb. 8, 2016, now Pat. No. Des. 843,601.
- (51) **LOC (12) Cl.** ..... **25-01**
- (52) **U.S. Cl.**  
USPC ..... **D25/139**
- (58) **Field of Classification Search**  
USPC ..... D25/138, 139, 140, 141, 157, 199;  
52/287.1, 288.1  
CPC ..... E04F 13/0733; E04F 13/21; E04F 19/024;  
E04F 13/06; E04F 2013/063; E04B  
1/6803  
See application file for complete search history.

**References Cited**

**U.S. PATENT DOCUMENTS**

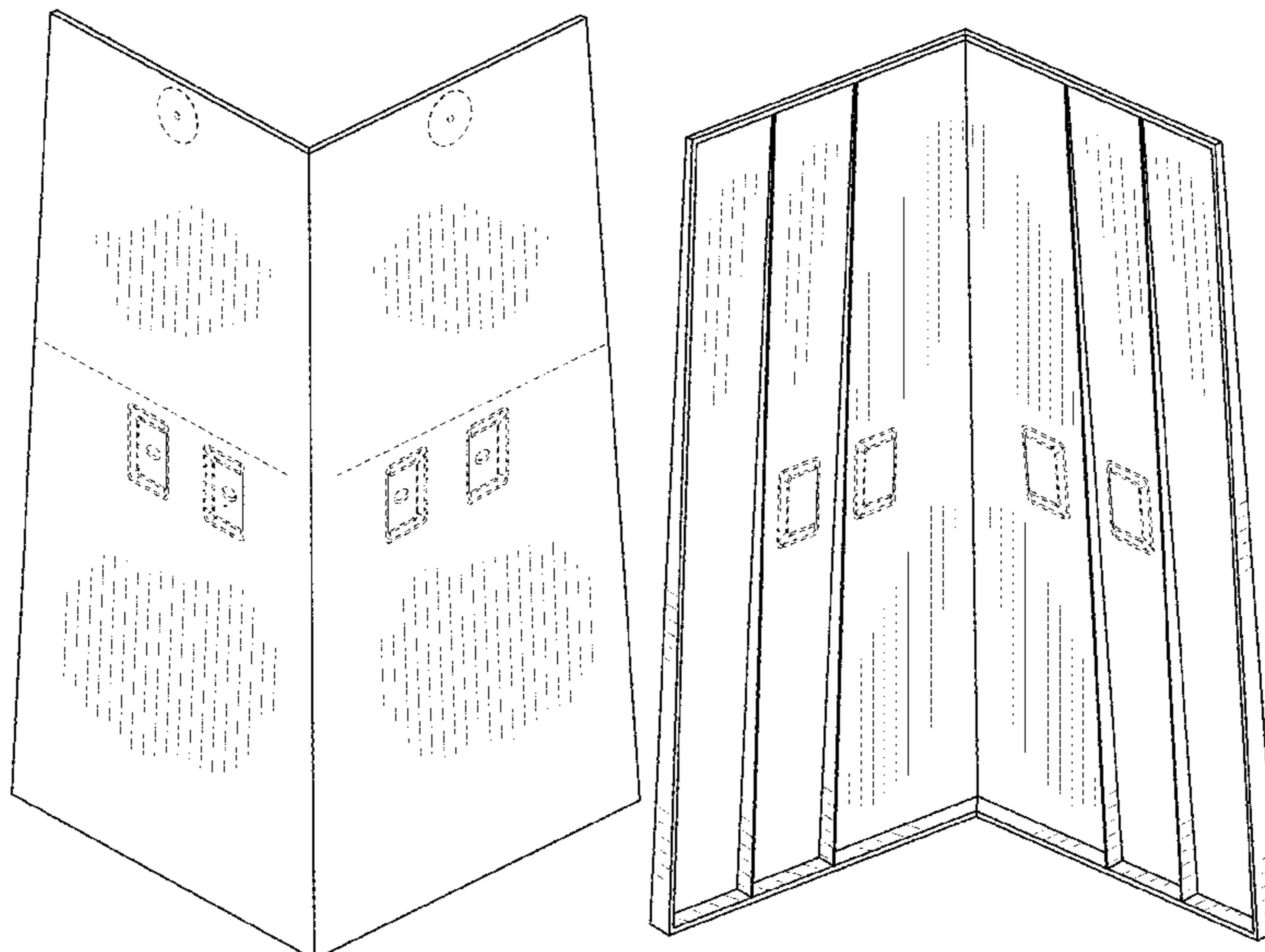
- 1,404,483 A 1/1922 Scharawath
- 2,168,218 A \* 8/1939 Kirschbraun ..... E04D 1/22  
52/560
- D163,688 S 6/1951 Gach
- 2,664,595 A \* 1/1954 Koval ..... E04F 19/024  
52/276

(57) **CLAIM**  
 We claim the ornamental design for a corner siding, as shown and described.

**DESCRIPTION**

FIG. 1 is a top isometric view of a corner siding showing our new design.  
 FIG. 2 is a top rear isometric view of the corner siding of FIG. 1.  
 FIG. 3 is a front right side view of the corner siding of FIG. 1.  
 FIG. 4 is a front left side view of the corner siding of FIG. 1.  
 FIG. 5 is a rear right side view of the corner siding of FIG. 1.  
 FIG. 6 is a rear left side view of the corner siding of FIG. 1.  
 FIG. 7 is a top view of the corner siding of FIG. 1; and, FIG. 8 is a bottom view of the corner siding of FIG. 1.  
 The broken lines in the drawings depict portions of the corner siding that form no part of the claimed design.

**1 Claim, 5 Drawing Sheets**



# US D871,615 S

Page 2

(56)

## References Cited

### U.S. PATENT DOCUMENTS

4,972,647	A *	11/1990	Meldrum	.....	E04F 13/0864 52/478
5,295,340	A *	3/1994	Collins	.....	E04D 1/30 52/276
5,615,523	A	4/1997	Wells et al.		
5,711,126	A *	1/1998	Wells	.....	E04D 1/30 52/309.1
5,743,059	A	4/1998	Fifield		
5,946,877	A	9/1999	Gallinat et al.		
5,992,116	A	11/1999	Ternes et al.		
6,021,611	A	2/2000	Wells et al.		
6,418,692	B1 *	7/2002	Freshwater	.....	E04D 1/30 52/199
6,530,189	B2 *	3/2003	Freshwater	.....	E04D 1/30 52/199
D568,496	S *	5/2008	Trabue	.....	D25/102
D586,007	S *	2/2009	Vandewater, Jr.	.....	D25/141
7,520,098	B1	4/2009	Martinique et al.		
D603,981	S	11/2009	King		
D616,735	S *	6/2010	Shaw	.....	D8/382
7,735,286	B2 *	6/2010	Trabue	.....	E04D 1/265 52/287.1
D621,967	S	8/2010	King		
8,261,505	B2	9/2012	Kalkanoglu et al.		
8,453,410	B2	6/2013	Kalkanoglu et al.		
8,516,765	B2	8/2013	Shaw		
8,572,921	B2 *	11/2013	Ward	.....	B29C 43/003 52/518
8,590,270	B2	11/2013	Martinique et al.		
8,677,709	B2	3/2014	Dilonardo et al.		
D705,447	S	5/2014	Chrien		
8,850,771	B2	10/2014	Jenkins		
D745,193	S	12/2015	Ohshima et al.		
9,303,410	B2 *	4/2016	Steffes	.....	E04F 13/0864
9,551,371	B2	1/2017	Koch et al.		
9,587,403	B2	3/2017	Shelvin et al.		
9,765,513	B2 *	9/2017	Stucky	.....	E04F 13/0733
9,884,443	B2 *	2/2018	Steffes	.....	B29C 45/1634
D843,601	S *	3/2019	Steffes	.....	D25/139
2003/0131552	A1	7/2003	Leichtfried		
2005/0072092	A1 *	4/2005	Williams	.....	E04D 1/22 52/518
2005/0089672	A1	4/2005	Kuipers et al.		
2005/0153103	A1	7/2005	Meye et al.		
2006/0026908	A1 *	2/2006	Gregori	.....	E04D 1/20 52/105
2006/0130419	A1	6/2006	Bowman		
2015/0167313	A1	6/2015	Steffes et al.		
2015/0298374	A1	10/2015	Steffes et al.		
2016/0168860	A1	6/2016	Stucky et al.		
2016/0168861	A1	6/2016	Steffes et al.		
2017/0114548	A1	4/2017	Steffes et al.		
2019/0153732	A1 *	5/2019	Steffes	.....	E04F 13/0733

\* cited by examiner

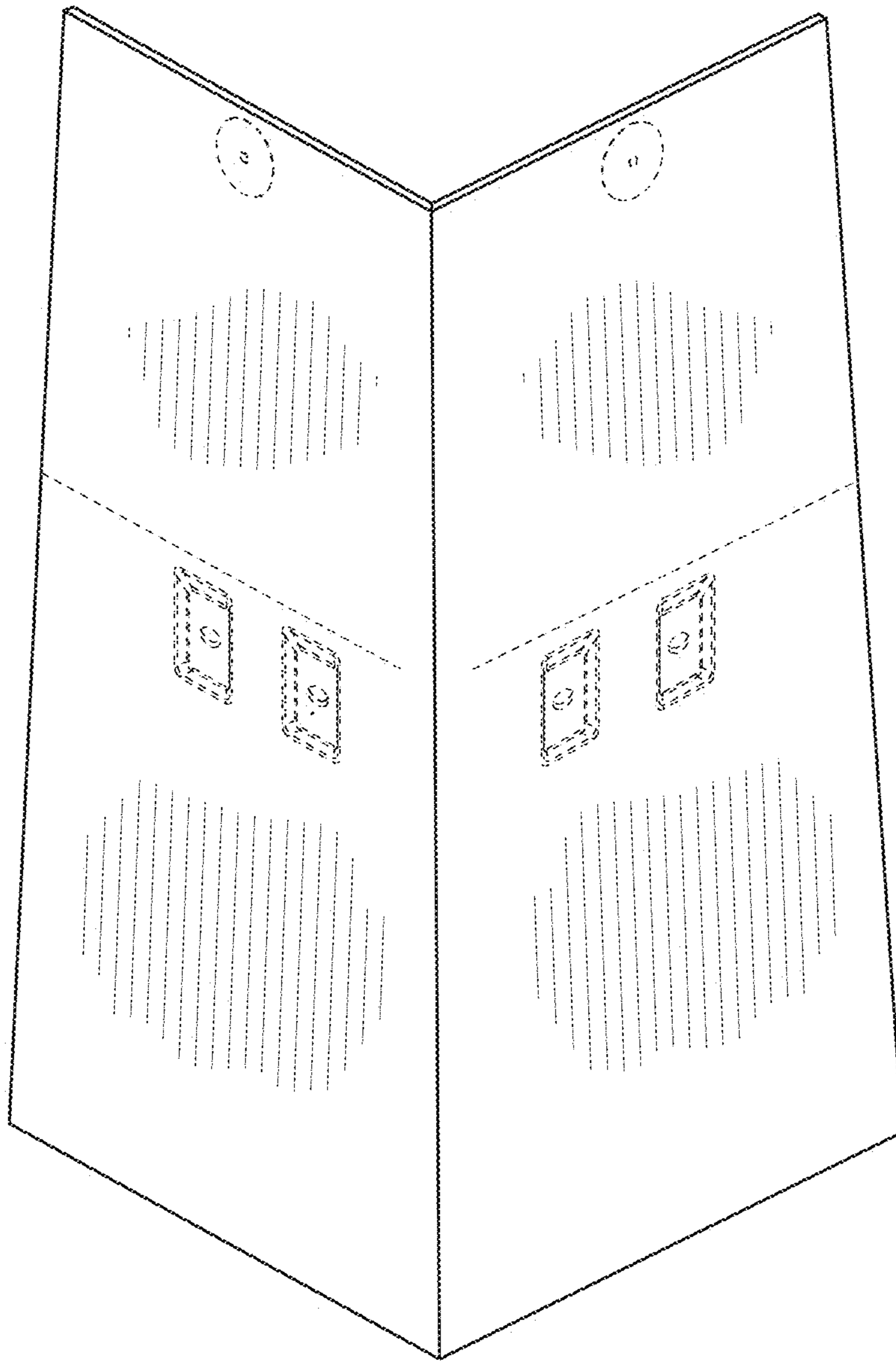


FIG. 1

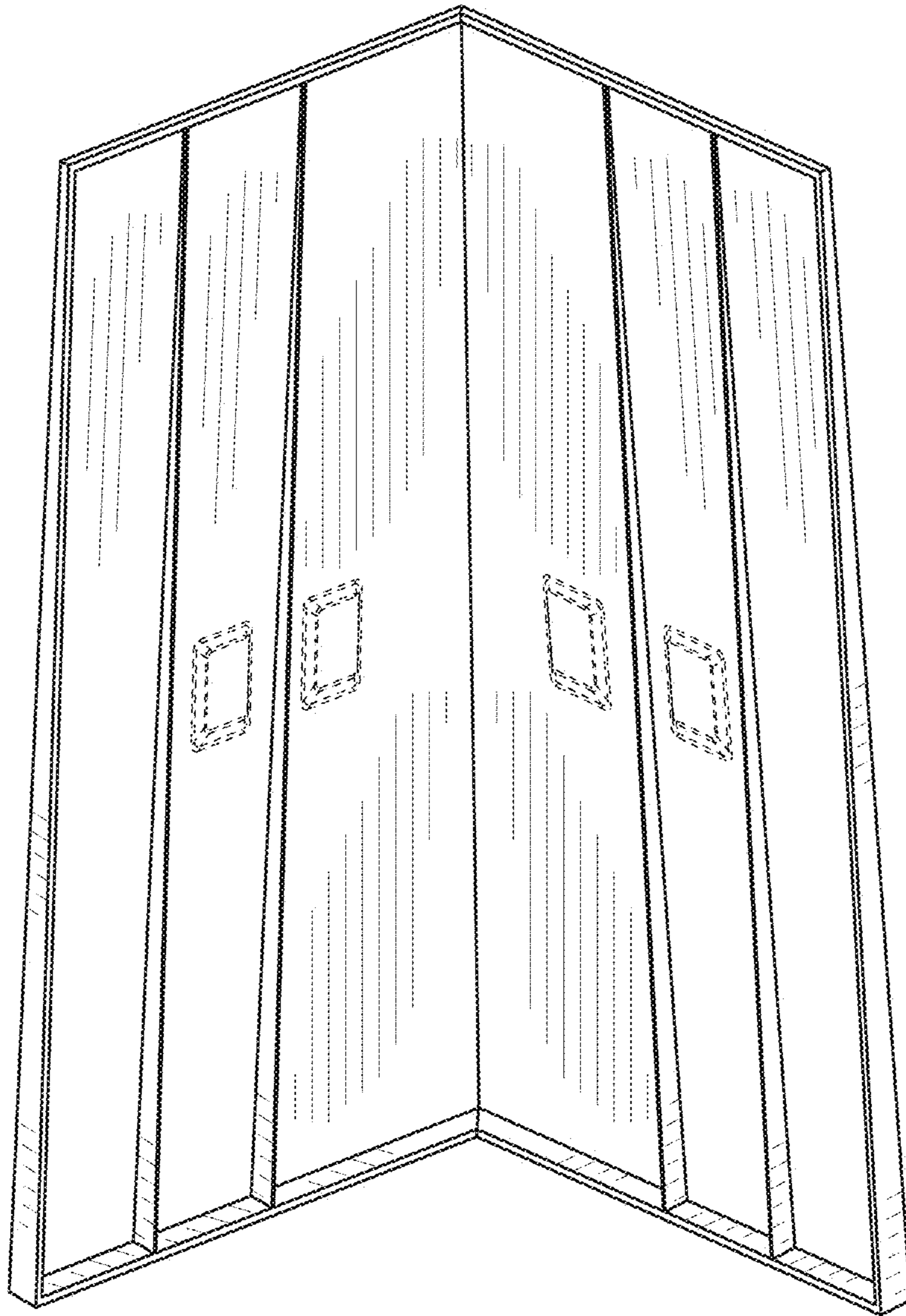


FIG. 2

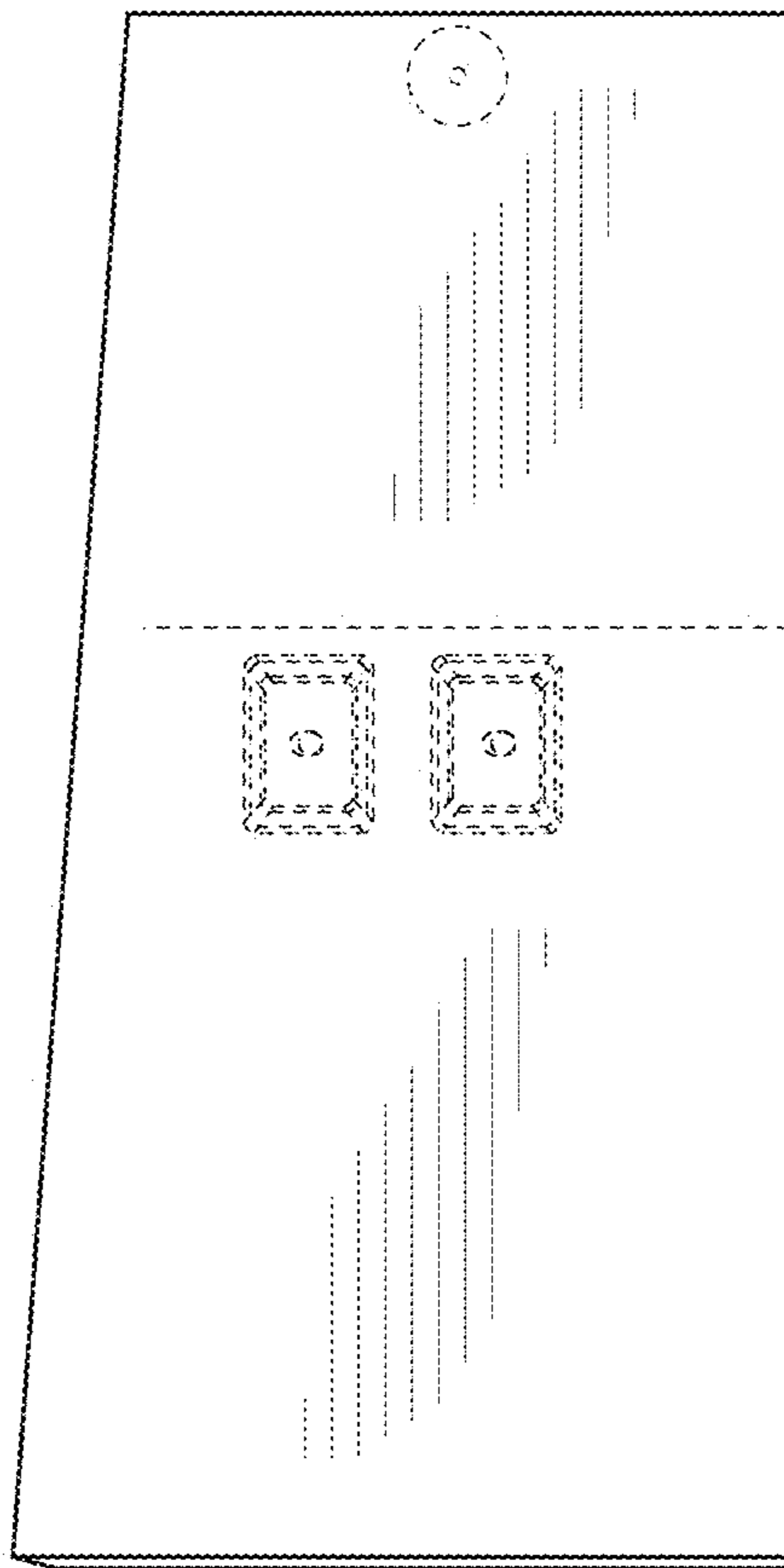


FIG. 3

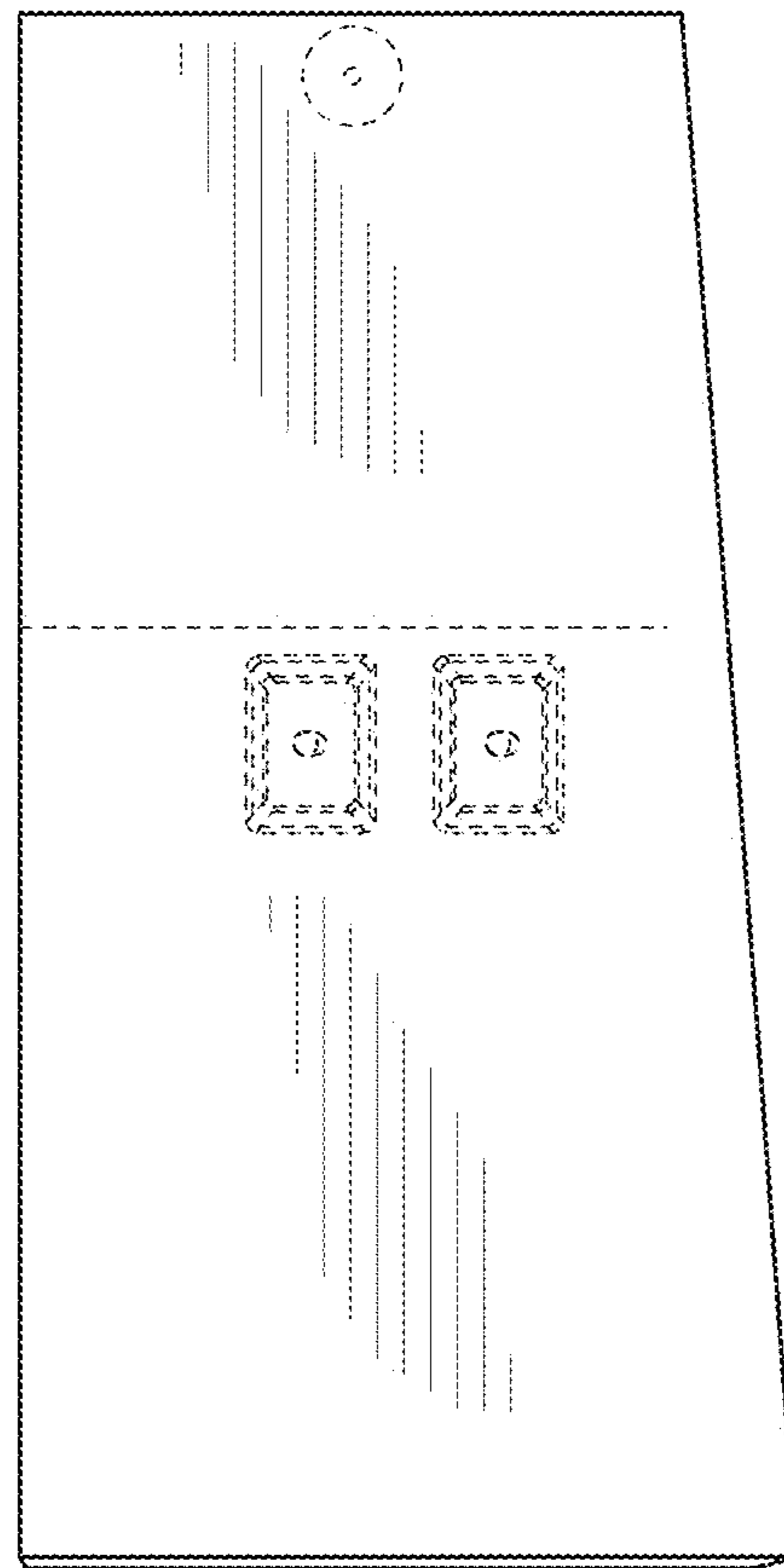


FIG. 4

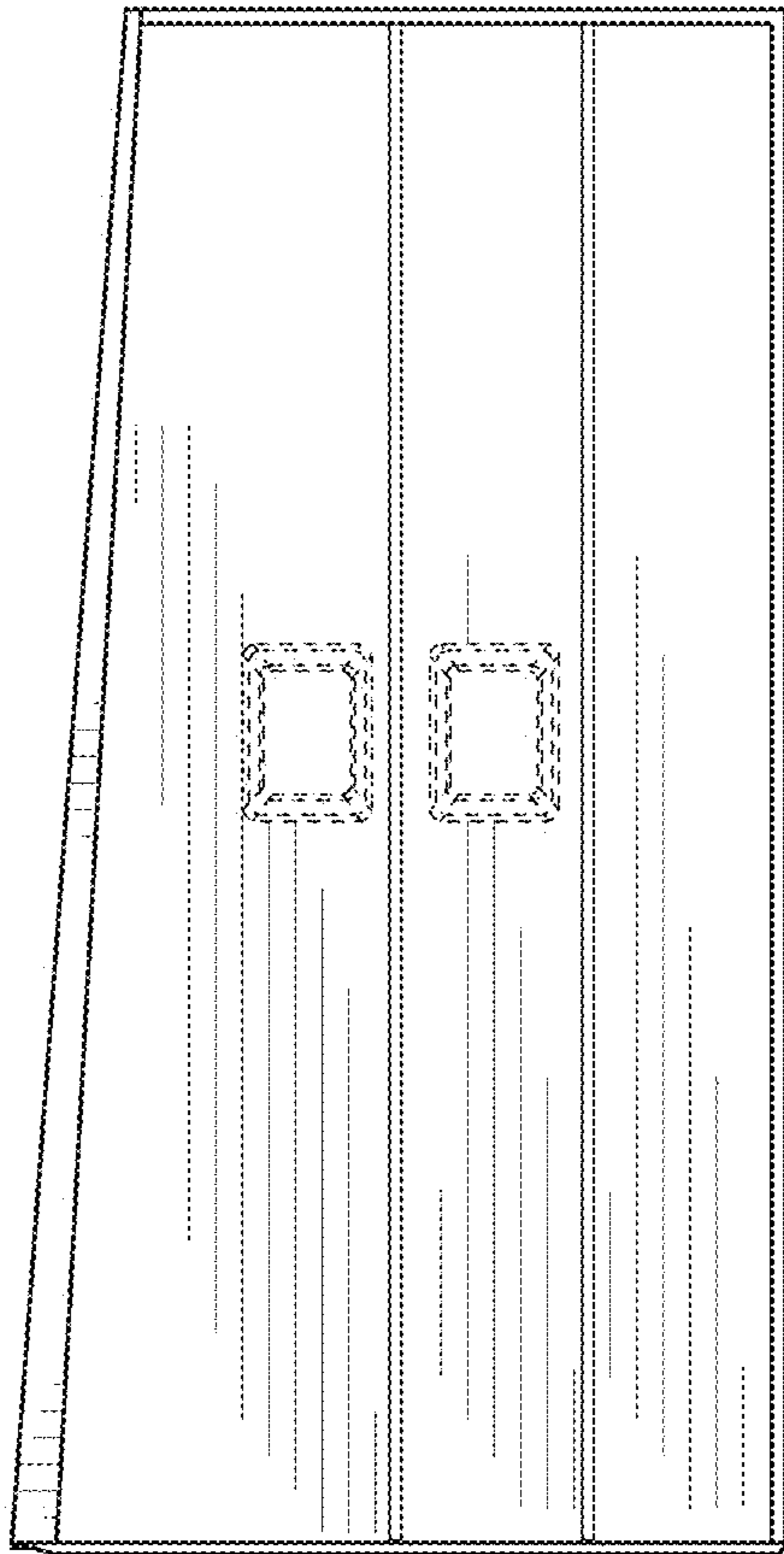


FIG. 5

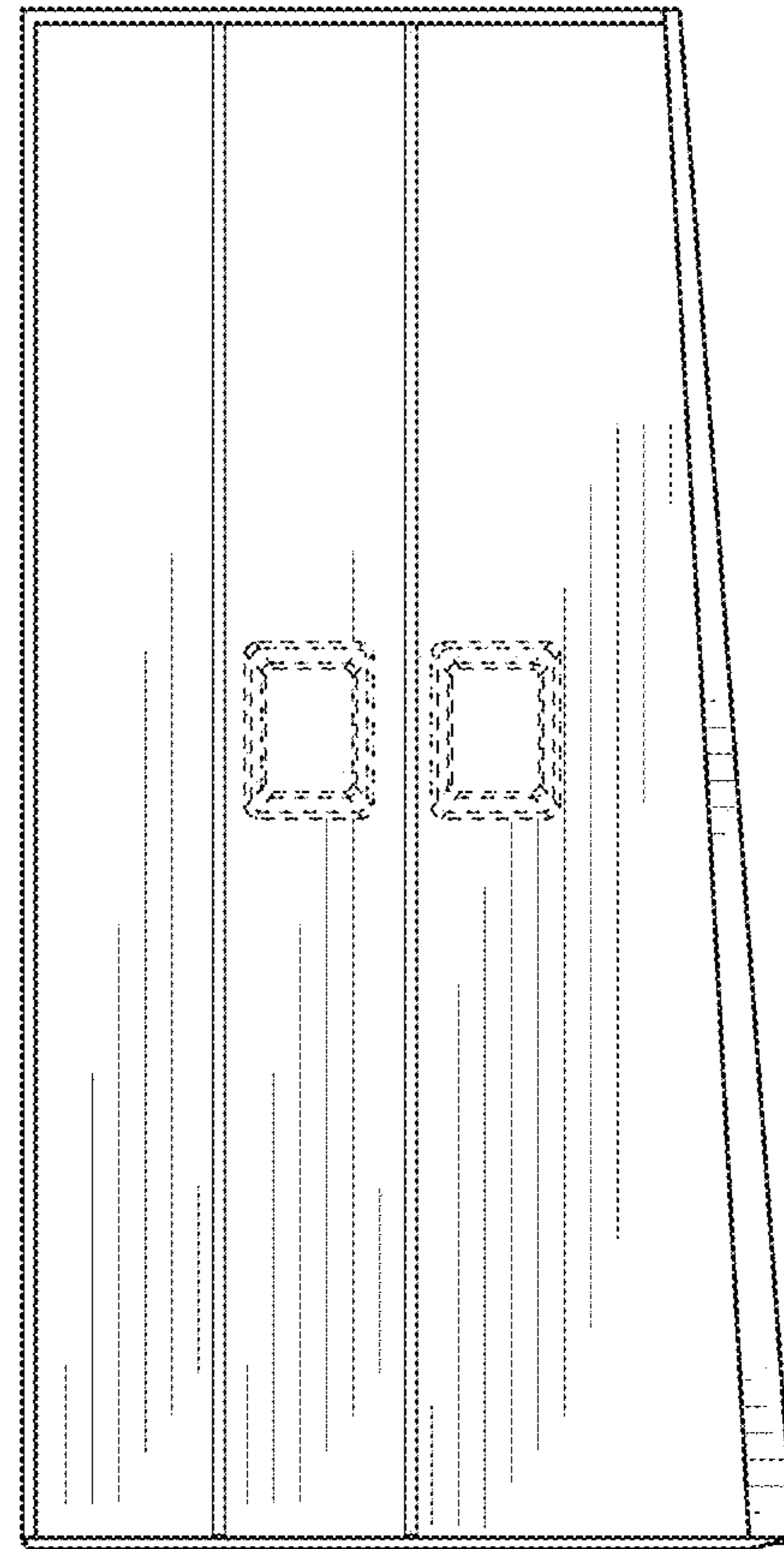


FIG. 6

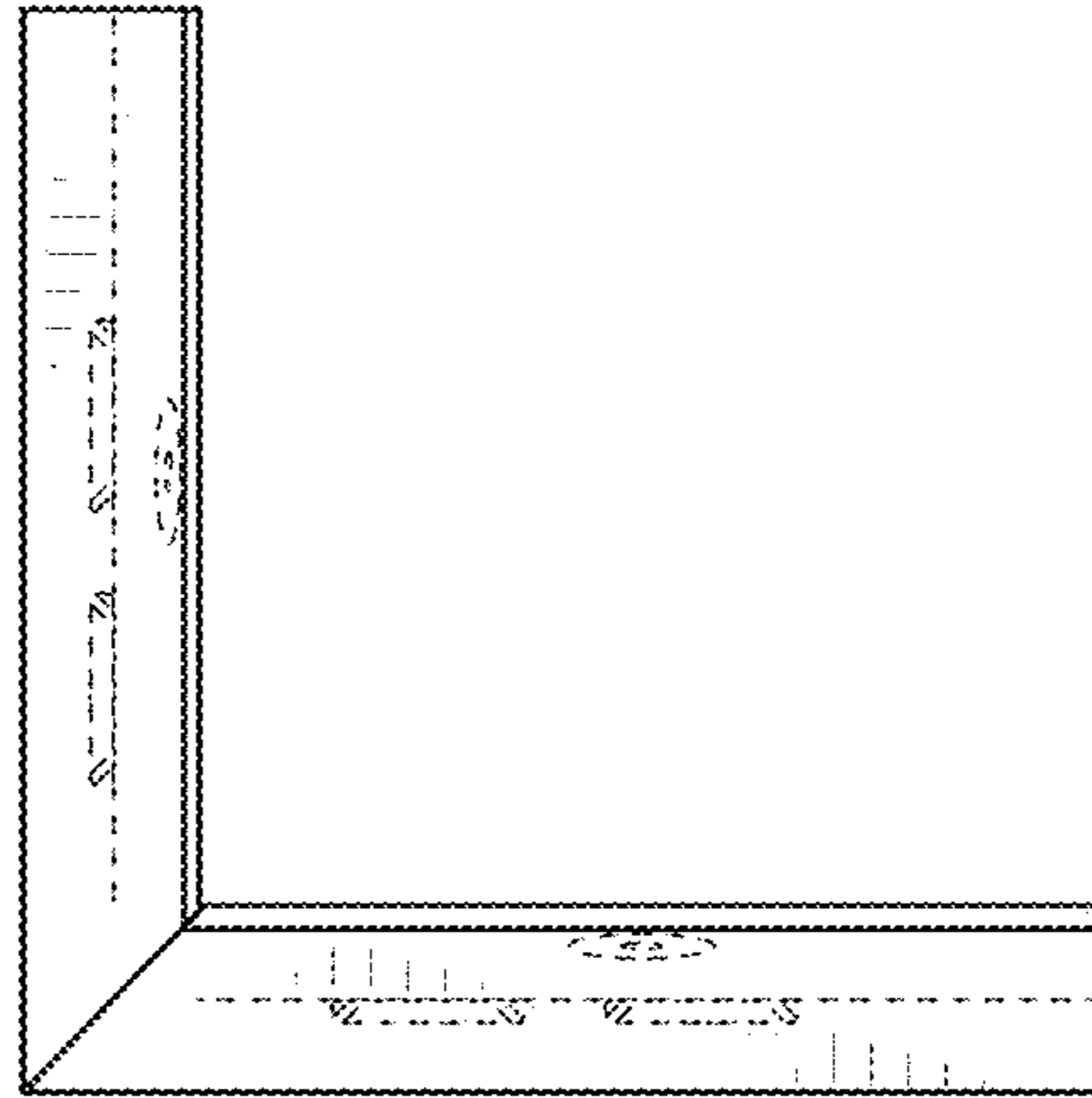


FIG. 7

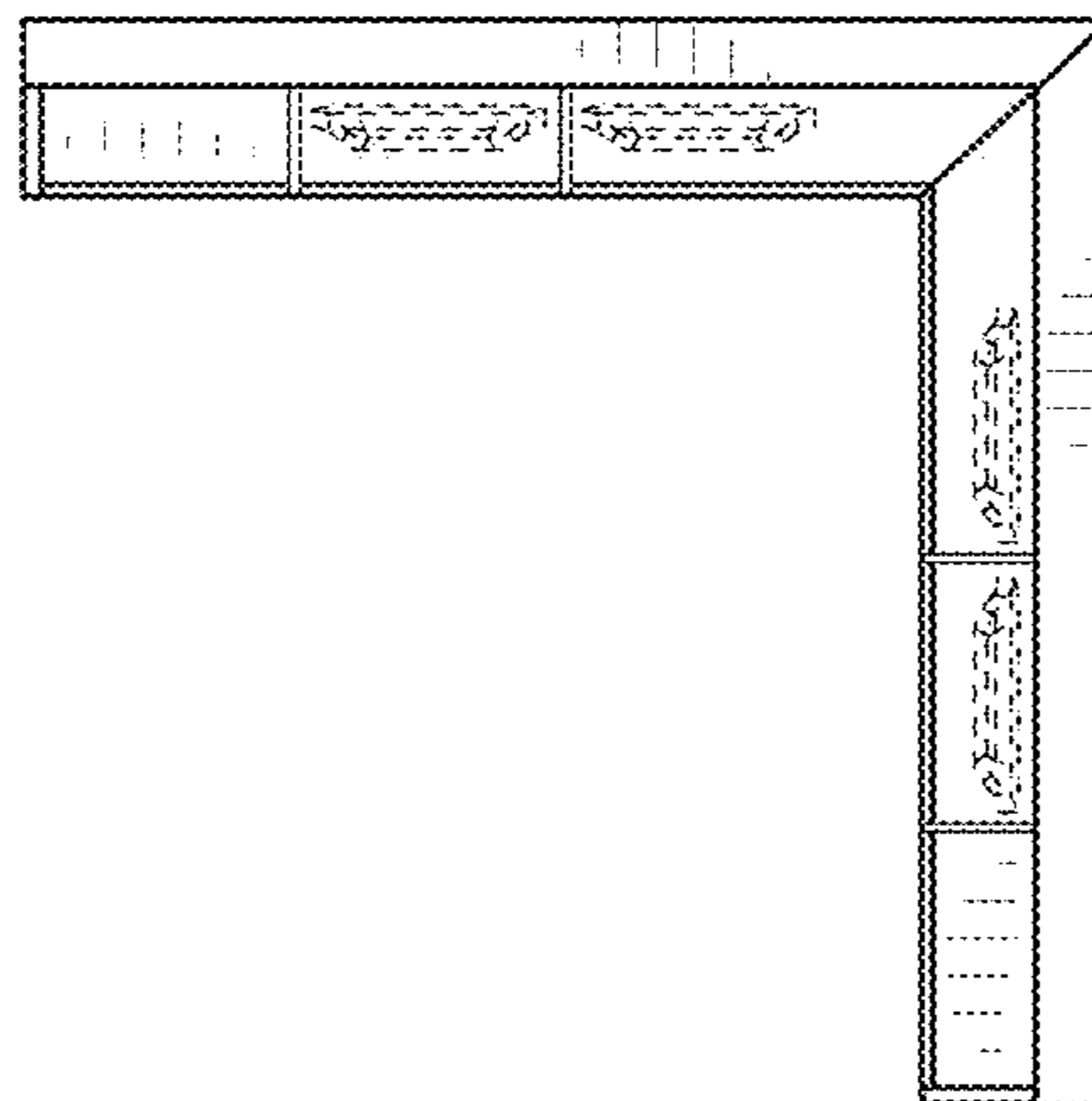


FIG. 8