



US00D871614S

(12) **United States Design Patent**
Stevens, Jr.

(10) **Patent No.:** **US D871,614 S**

(45) **Date of Patent:** **** Dec. 31, 2019**

(54) **LADDER STABILIZATION DEVICE**

8,418,809 B2 * 4/2013 Donlon E06C 7/46
182/111

(71) Applicant: **Olive Tree Inspirations LLC**, Grayson,
GA (US)

D701,618 S * 3/2014 Donlon D25/68
2010/0051384 A1* 3/2010 Currie E06C 7/46
182/107

(72) Inventor: **Paul H. Stevens, Jr.**, Grayson, GA
(US)

* cited by examiner

(73) Assignee: **Olive Tree Inspirations LLC**, Gray,
GA (US)

Primary Examiner — Gino Colan

(74) *Attorney, Agent, or Firm* — Kean Decarlo; Womble
Bond Dickinson (US) LLP

(**) Term: **15 Years**

(21) Appl. No.: **29/659,318**

(57) **CLAIM**

(22) Filed: **Aug. 8, 2018**

The ornamental design for a ladder stabilization device, as
shown and described.

(51) **LOC (12) Cl.** **25-04**

(52) **U.S. Cl.**
USPC **D25/68**

(58) **Field of Classification Search**
USPC D25/62–69; 182/107, 109, 129, 204,
182/206, 111; 248/210
CPC E06C 1/20; E06C 7/00; E06C 7/06; E06C
7/188; E06C 7/48; E06C 7/50
See application file for complete search history.

DESCRIPTION

FIG. 1 is a perspective view of a ladder stabilization device
showing my design, in condition of use.
FIG. 2 is a front perspective view thereof;
FIG. 3 is a top plan view thereof;
FIG. 4 is a bottom plan view thereof;
FIG. 5 is a right side elevational view thereof;
FIG. 6 is a left side elevational view thereof; and,
FIG. 7 is a front elevational view thereof.

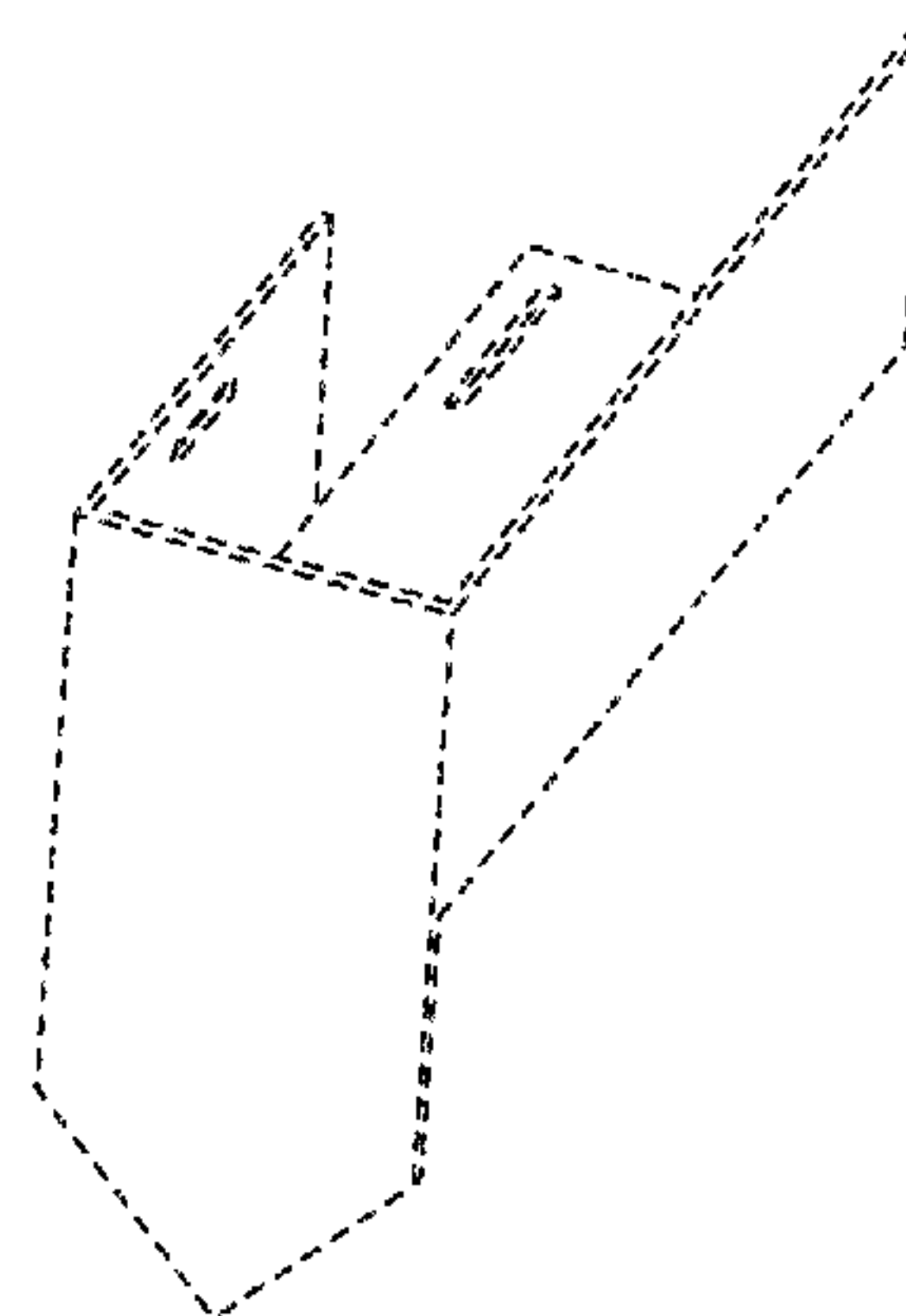
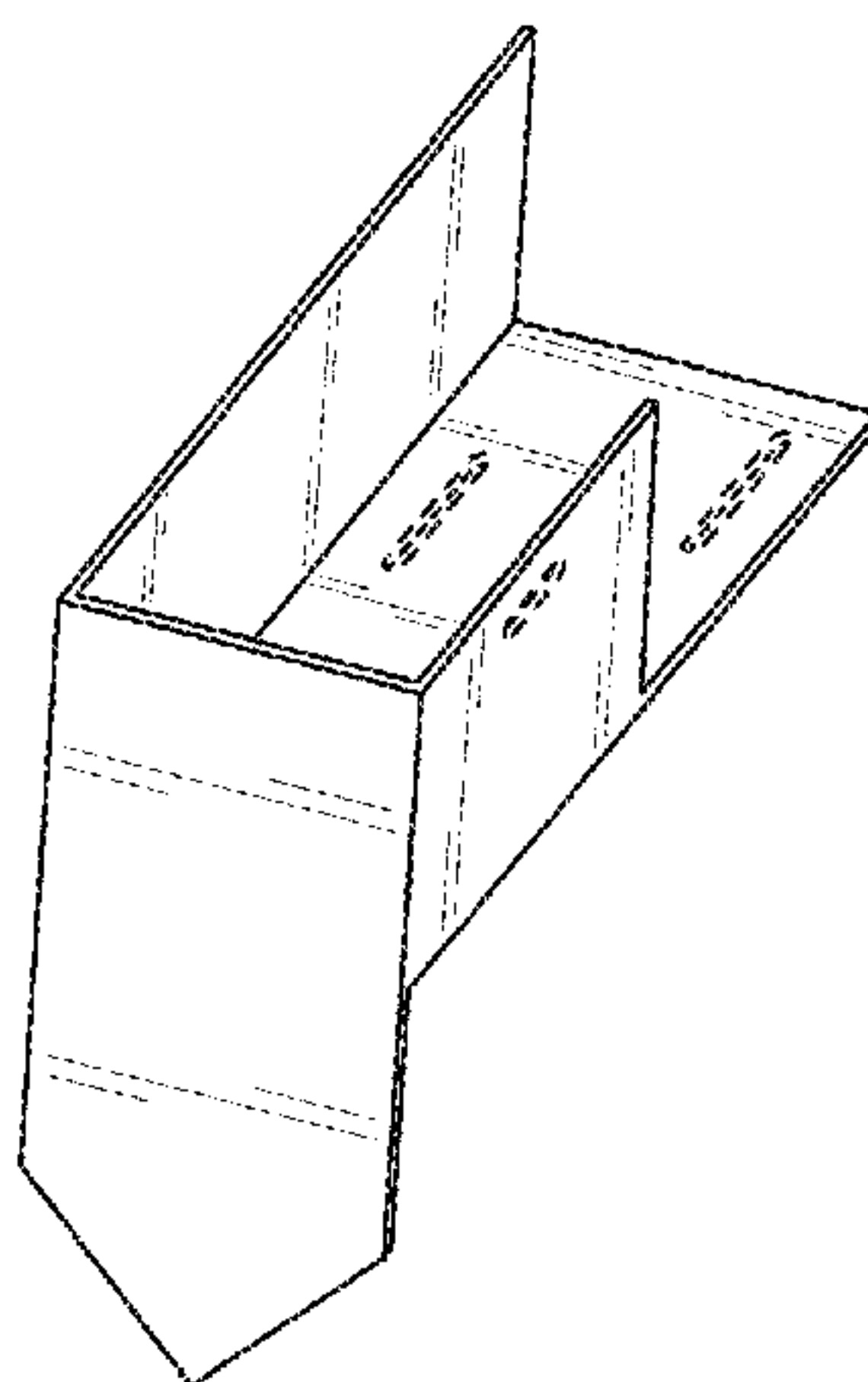
The broken lines shown in the figures are included for the
purpose of illustrating portions of the ladder stabilization
device which form no part of the claimed design. The broken
lines showing a ladder stabilization device in FIG. 1 are
included for the purpose of illustrating environment which
forms no part of the claimed design.

(56) **References Cited**

U.S. PATENT DOCUMENTS

4,039,047	A *	8/1977	Larson	E06C 7/46 182/111
4,694,932	A *	9/1987	Schmitt	E06C 7/46 182/109
5,361,868	A *	11/1994	Bartos	E06C 7/46 182/111
5,865,268	A *	2/1999	Finneran	E06C 7/46 182/107
D474,284	S *	5/2003	Spencer	D25/68

1 Claim, 7 Drawing Sheets



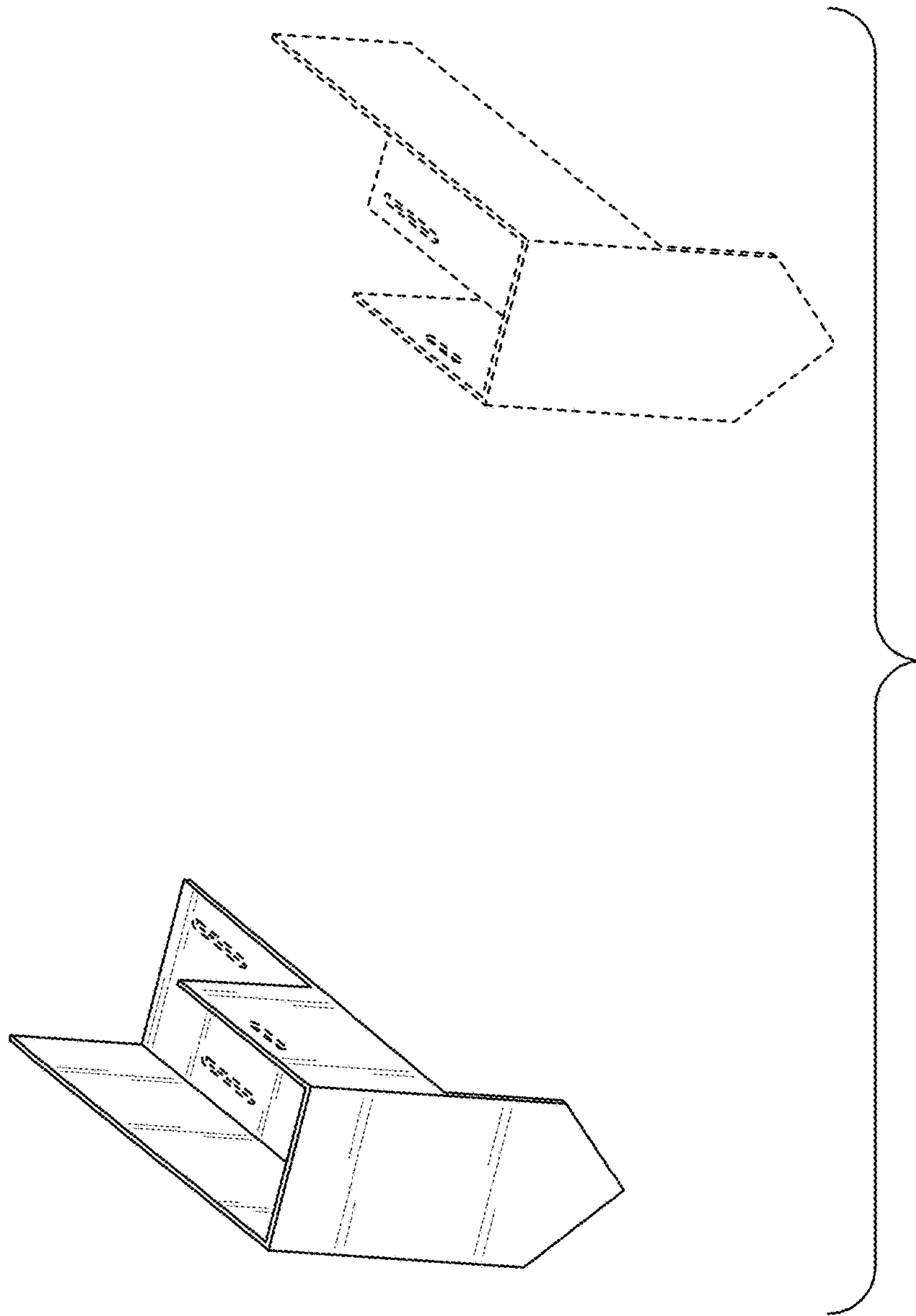


FIG. 1

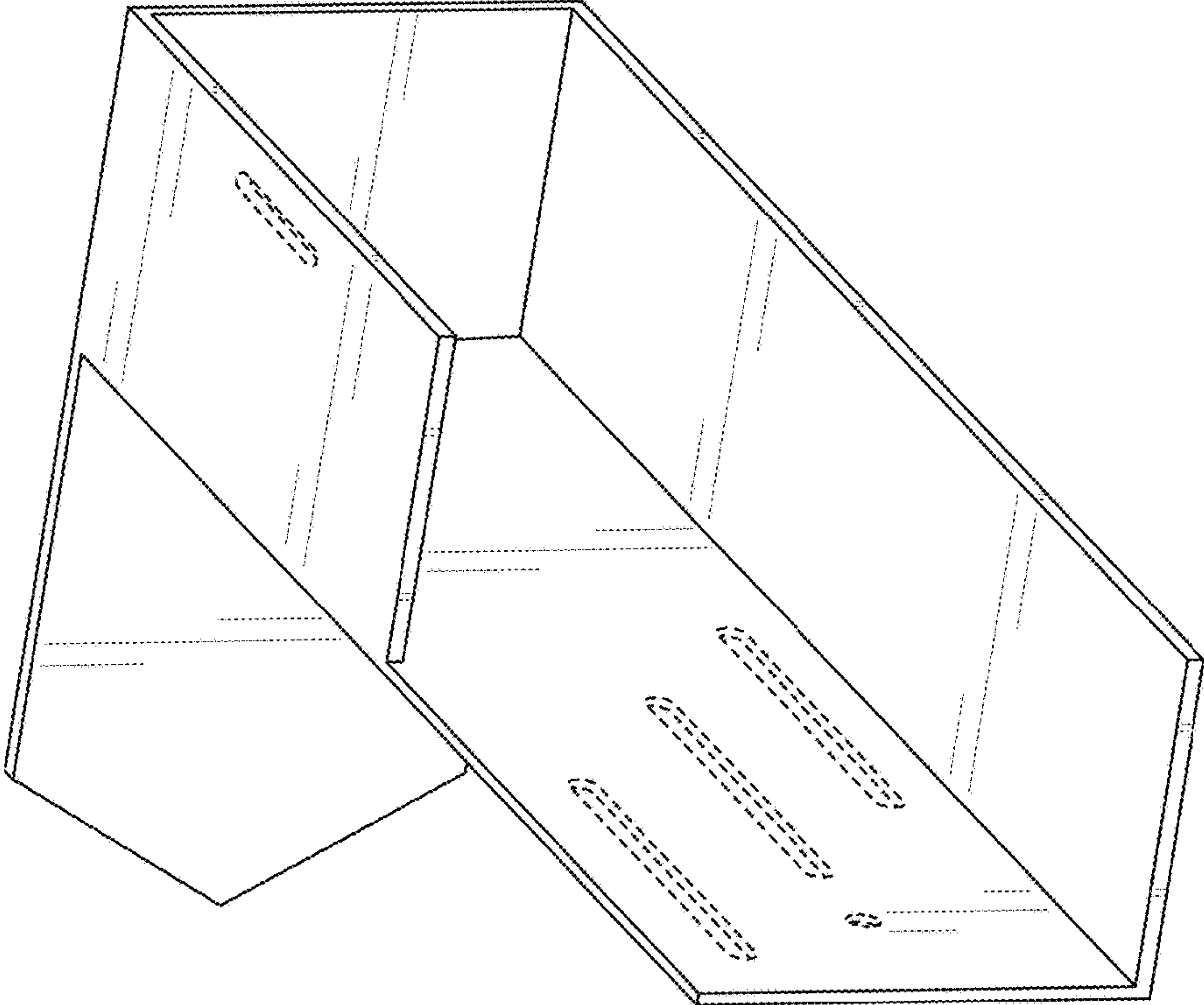


FIG. 2

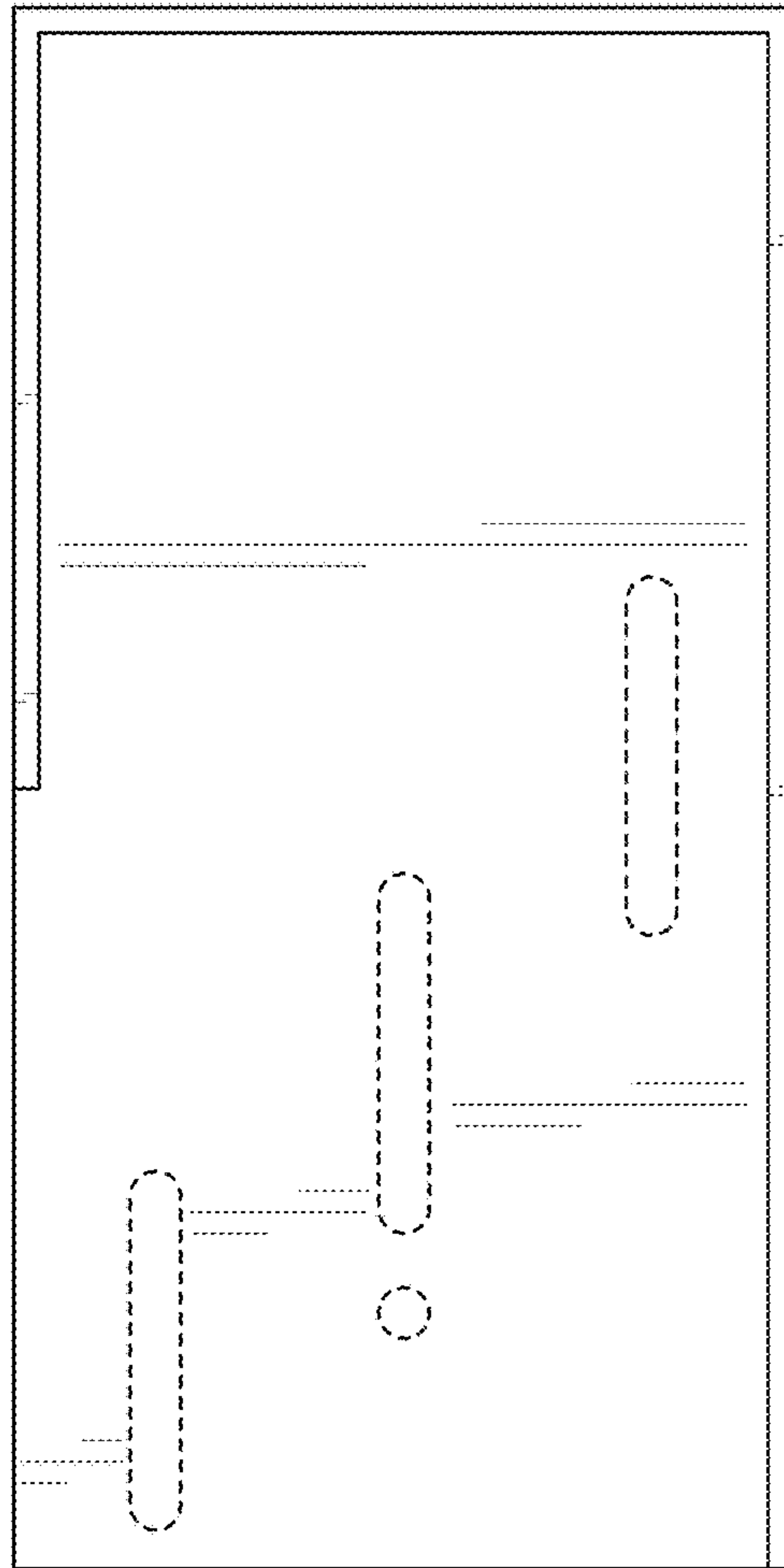


FIG. 3

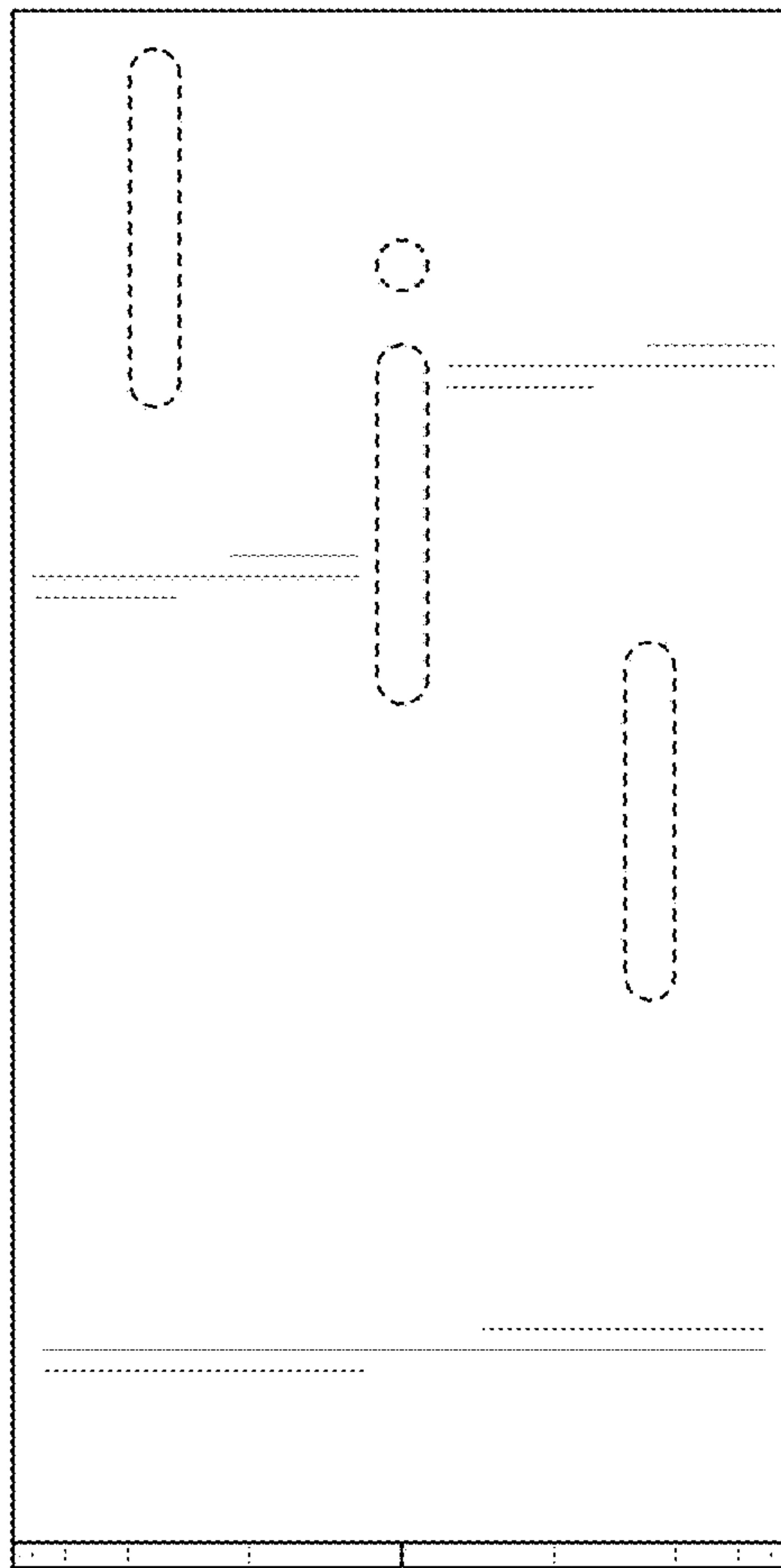


FIG. 4

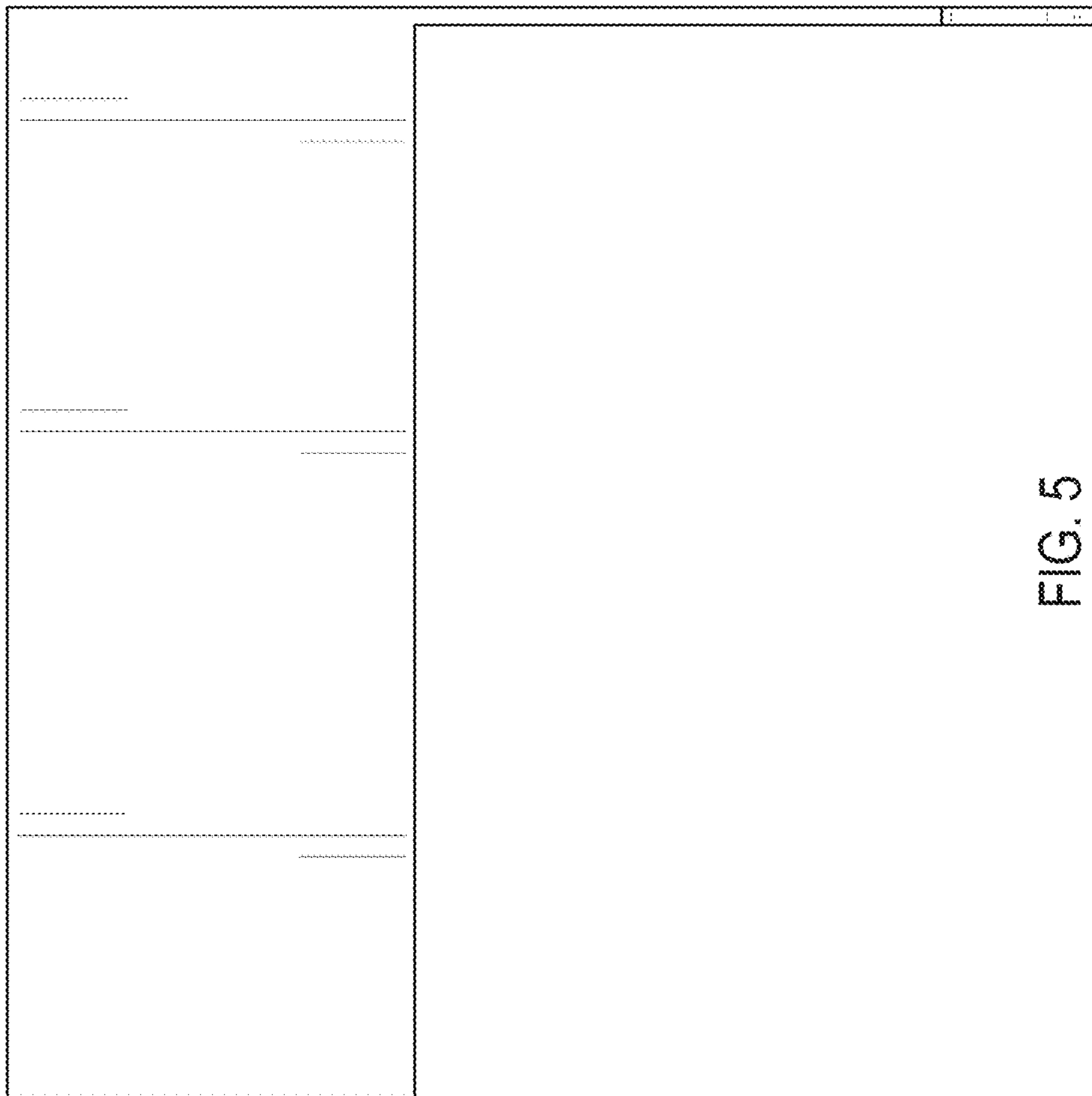


FIG. 5

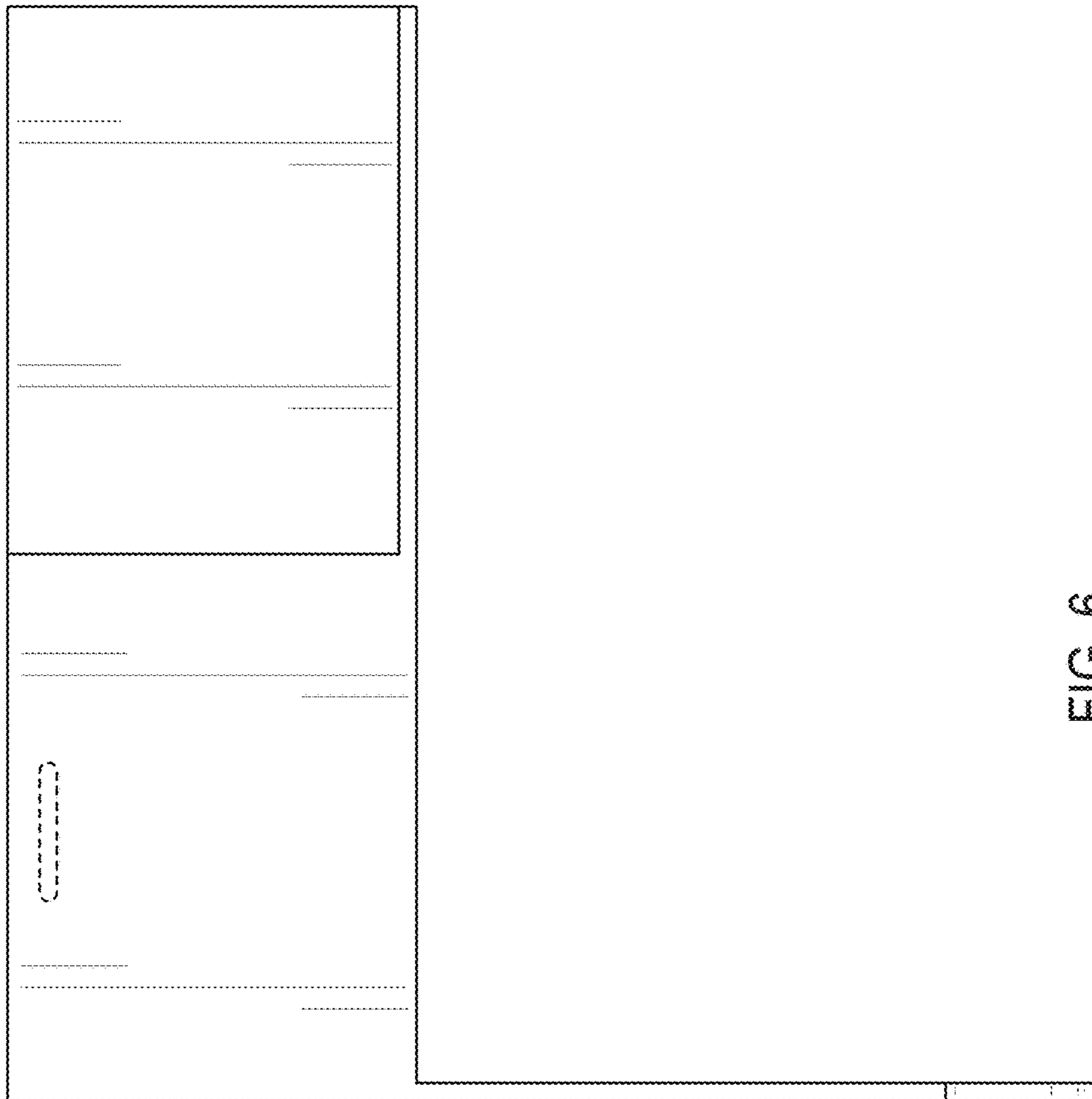


FIG. 6

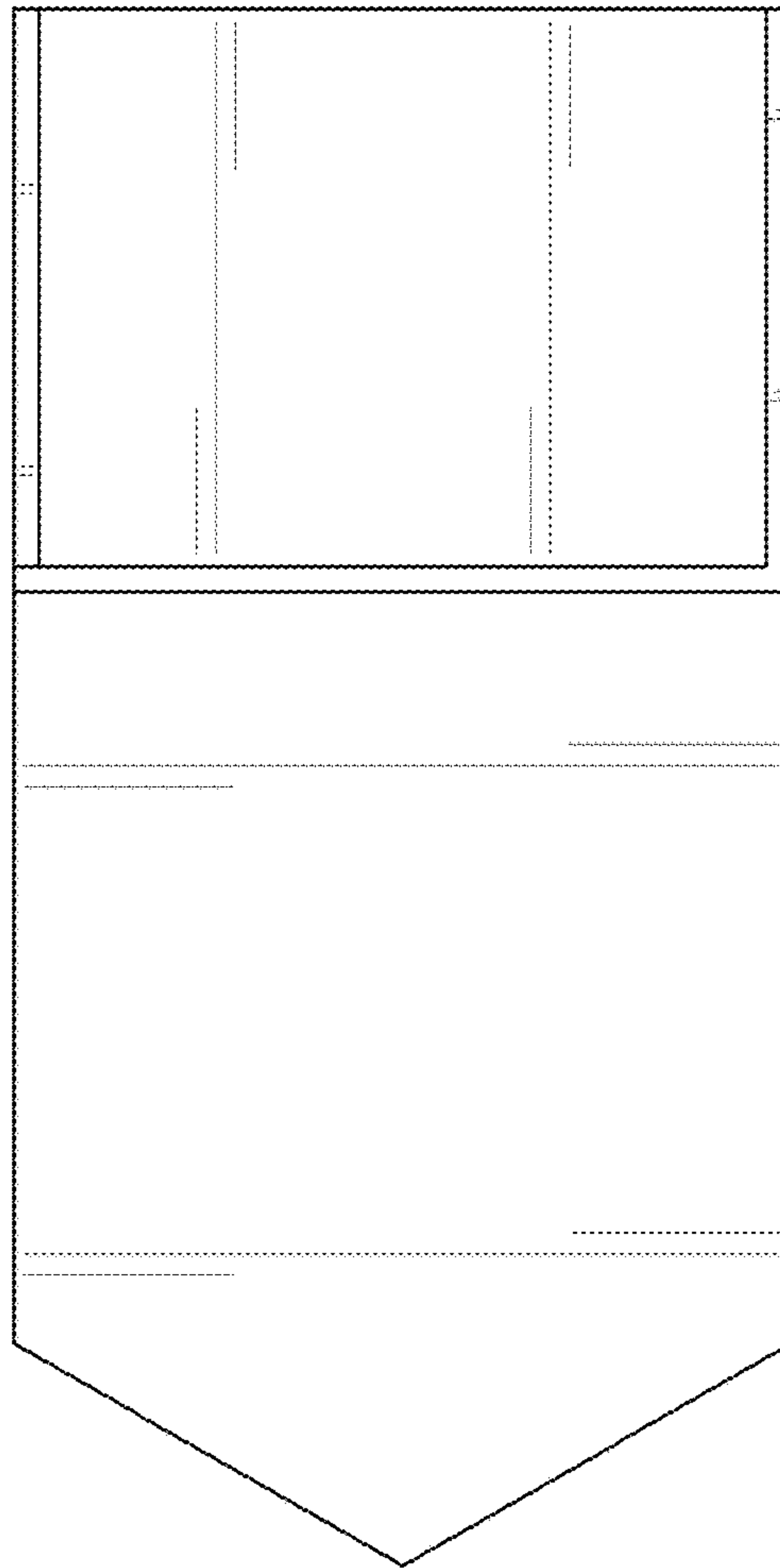


FIG. 7