



US00D871606S

(12) **United States Design Patent**  
**Hummel**

(10) **Patent No.:** **US D871,606 S**

(45) **Date of Patent:** **\*\* Dec. 31, 2019**

(54) **HAND OPERATED LABORATORY INSTRUMENT**

(71) Applicant: **BRAND GMBH + CO KG**, Wertheim (DE)

(72) Inventor: **Ursula Hummel**, Aschaffenburg (DE)

(73) Assignee: **BRAND GMBH + CO KG**, Wertheim (DE)

(\*\*) Term: **15 Years**

(21) Appl. No.: **29/627,043**

(22) Filed: **Nov. 22, 2017**

(51) **LOC (12) Cl.** ..... **24-02**

(52) **U.S. Cl.**  
USPC ..... **D24/222**

(58) **Field of Classification Search**  
USPC ..... D24/107, 108, 114, 115, 121, 133, 216,  
D24/222-230, 232, 233; D26/46, 49;  
D14/426

(Continued)

(56) **References Cited**

**U.S. PATENT DOCUMENTS**

5,458,408 A 10/1995 Cooper et al.  
D406,642 S \* 3/1999 Remes ..... D24/107  
(Continued)

**FOREIGN PATENT DOCUMENTS**

DE 10 2009 051 654 A1 5/2011  
DE 10 2011 114 591 B3 12/2012  
(Continued)

**OTHER PUBLICATIONS**

Capp electronic pipettes. Online, published date unknown. Retrieved on Jun. 17, 2019 from URL: <https://ridacom.com/en/product-list/671/Capp-electronic-pipettes>.\*

(Continued)

*Primary Examiner* — Susan Bennett Hattan

*Assistant Examiner* — Omeed Agilee

(74) *Attorney, Agent, or Firm* — David S. Safran; Roberts Mlotkowski Safran Cole & Calderon, P.C.

(57) **CLAIM**

The ornamental design for a hand operated laboratory instrument, as shown and described.

**DESCRIPTION**

FIG. 1 is a perspective view of a hand operated laboratory instrument in accordance with my new design as seen from the left rear;

FIG. 2 is a perspective view of a hand operated laboratory instrument as seen from left front;

FIG. 3 is a rear elevation view thereof;

FIG. 4 is a front elevation view thereof;

FIG. 5 is a left side elevation view thereof;

FIG. 6 is a right side view thereof;

FIG. 7 is a top view thereof;

FIG. 8 is a bottom view thereof;

FIG. 9 a perspective view of a modified hand operated laboratory instrument in accordance with my new design as seen from the right rear;

FIG. 10 is a perspective view of the modified design as seen from the left front;

FIG. 11 is a rear view of the modified design;

FIG. 12 is a front view of the modified design;

FIG. 13 is a left side view of the modified design;

FIG. 14 is a right side view of the modified design;

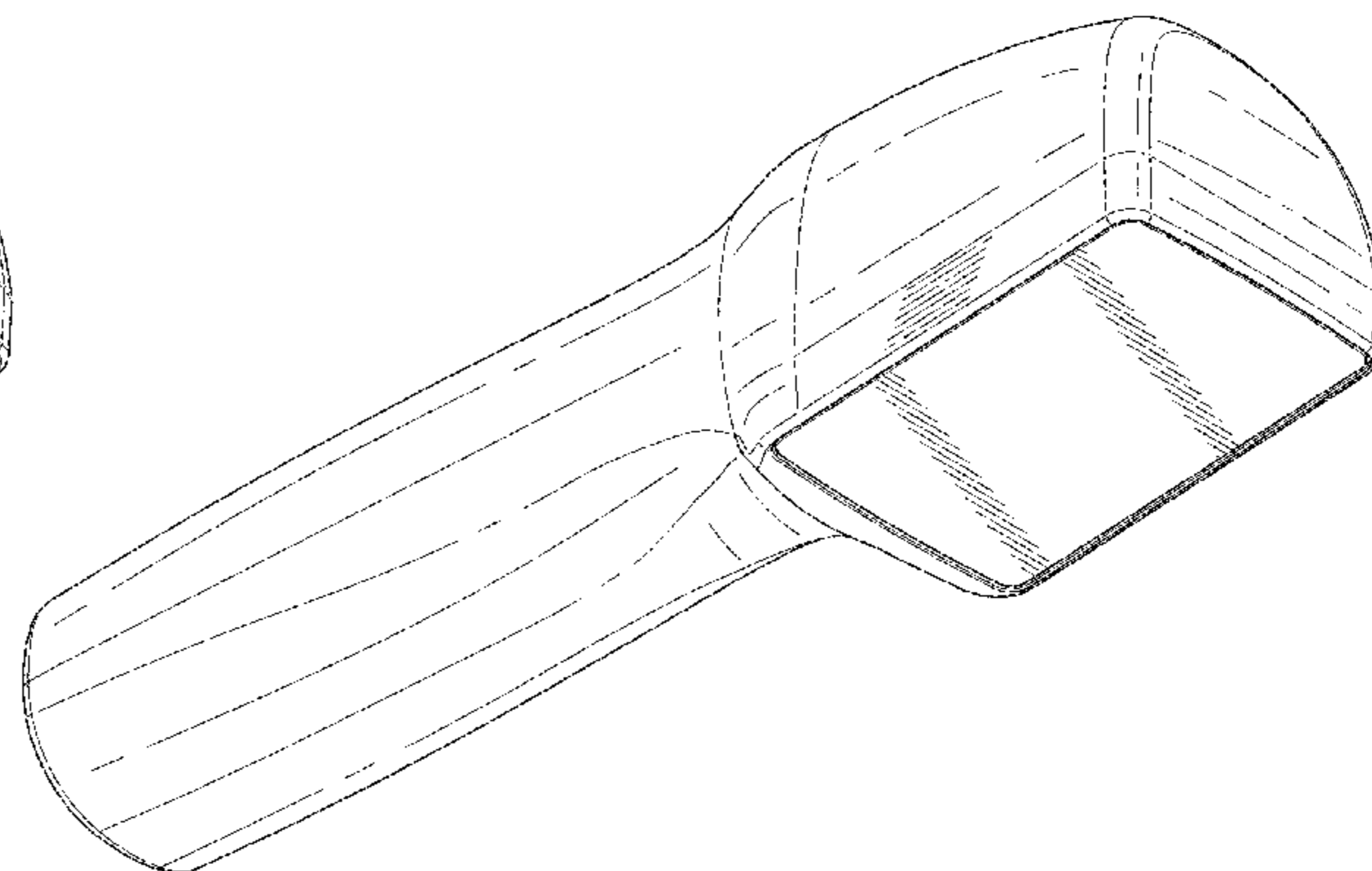
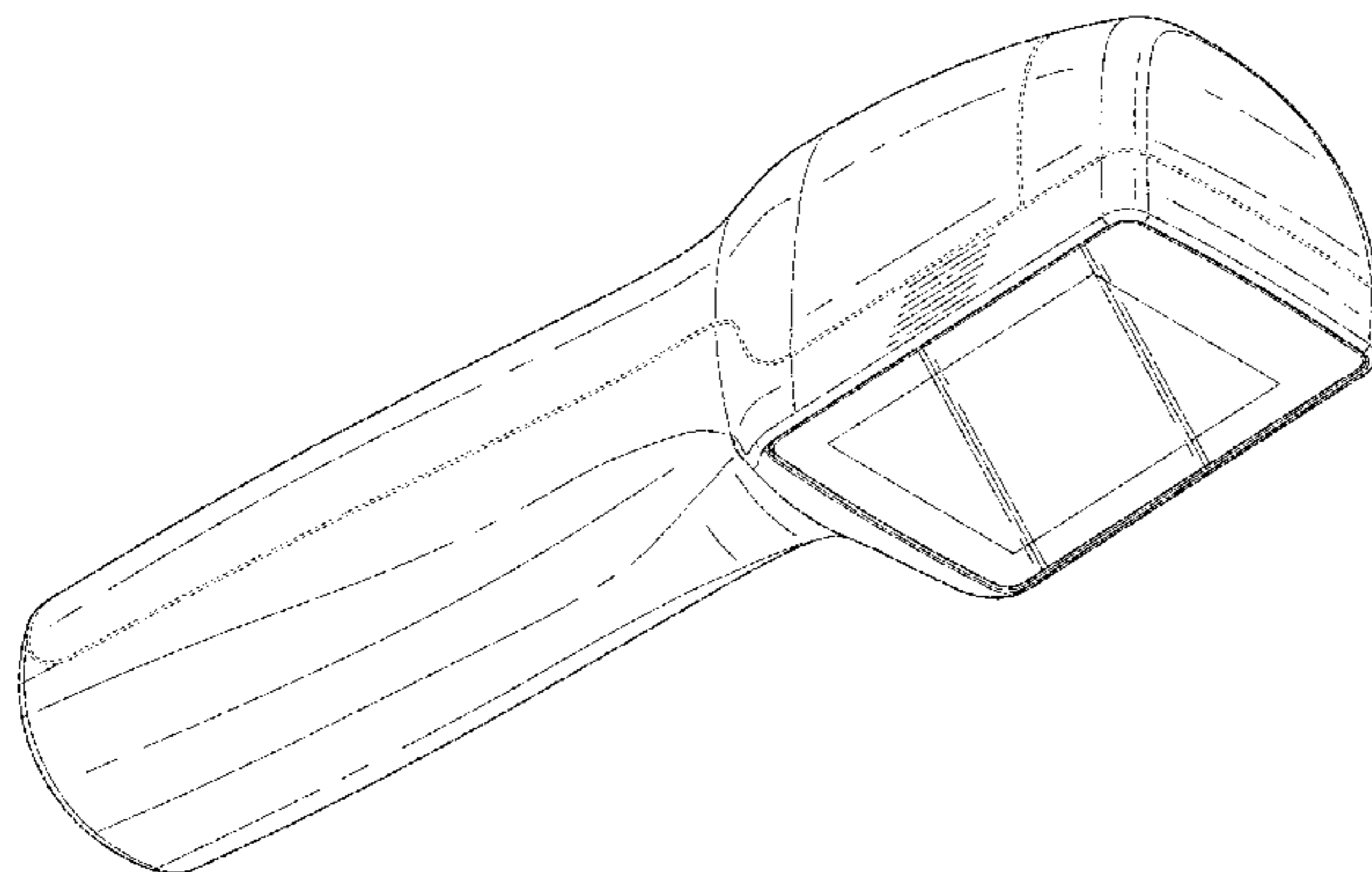
FIG. 15 is a top view of the modified design; and,

FIG. 16 is a bottom view of the modified design.

The broken lines in the drawings depict portions of the hand operated laboratory instrument that form no part of the claimed design.

The hand operated laboratory instrument or hand operated laboratory tool is used to take up a volume of fluid from a container, and, afterwards, to dispense it into another container or into multiple other containers. In particular, it serves for the repeated dispensing, titrating or pipetting of liquids.

**1 Claim, 10 Drawing Sheets**



(58) **Field of Classification Search**

CPC ..... B01F 13/0025; B01J 2219/00292; B01J 2220/64; B01L 3/14; B01L 3/021-0237; B01L 3/508-50825; B01L 3/52-523; B01L 3/0217; B01L 3/227; B01L 3/237; G01F 11/02

See application file for complete search history.

2009/0117009 A1\* 5/2009 Cote ..... B01L 3/0227  
422/400  
2010/0199789 A1 8/2010 Magnussen et al.  
2012/0291567 A1\* 11/2012 Homberg ..... B01L 3/0237  
73/864.13  
2014/0334993 A1\* 11/2014 Berghall ..... B01L 3/0237  
422/509  
2017/0120235 A1\* 5/2017 Miettinen ..... B01L 3/0217

(56)

**References Cited**

U.S. PATENT DOCUMENTS

D426,642 S \* 6/2000 Rainin ..... D24/222  
6,565,333 B2 5/2003 Maruyama  
D605,795 S \* 12/2009 Baker ..... D26/44  
D623,754 S \* 9/2010 Tuhkanen ..... D24/186  
D659,840 S \* 5/2012 Cheng ..... D24/137  
D674,913 S \* 1/2013 Koop ..... D24/222  
D692,004 S \* 10/2013 Man ..... D14/426  
D701,321 S \* 3/2014 McEtchin ..... D24/222  
8,813,584 B2 8/2014 Blumentritt et al.  
9,068,955 B2 6/2015 Voss et al.  
D750,301 S \* 2/2016 Marzynski ..... D26/37  
9,393,561 B2 7/2016 Link  
D763,261 S \* 8/2016 Choi ..... D14/426  
D765,252 S \* 8/2016 Emeric ..... D24/169  
D781,860 S \* 3/2017 Tsiopanos ..... D14/426  
D809,170 S \* 1/2018 Marzynski ..... D26/45  
D826,439 S \* 8/2018 Ma ..... D26/49  
D842,987 S \* 3/2019 Theobald ..... D24/133  
2005/0118069 A1\* 6/2005 Solotareff ..... B01L 3/0217  
422/400  
2005/0194407 A1 9/2005 Bach  
2008/0210023 A1\* 9/2008 Telimaa ..... B01L 3/0227  
73/864.18

FOREIGN PATENT DOCUMENTS

DE 10 2011 114 688 A1 4/2013  
DE 10 2013 105 495 A1 12/2014  
EP 0 025 575 A1 3/1981  
EP 0 951 306 B1 7/2005  
EP 2 236 207 A1 10/2010  
EP 3 216 523 A1 9/2017  
WO 01/61308 A1 8/2001  
WO 2014/204587 A1 12/2014

OTHER PUBLICATIONS

Product Brochure "Handystep® Electronic" of Brand GmbH + Co KG, Issue No. 9943 21, Printed in Germany in Feb. 2015, pp. 1 to 6, Pub-lished by Brand GmbH + Co KG.

Screenshot of the Product Website "Electronic Pipettes" of Arise Biotech Corp., as Retrieved From [http://www.arisebio.com.tw/product\\_Electronic.asp](http://www.arisebio.com.tw/product_Electronic.asp) on Nov. 17, 2017.

Product Manual "A-Pette" of Arise Biotech Corp., Version 2.7, P/N: 401-APETT-0401, Printed in Taiwan in Jan. 2004, pp. 8 to 10 and 28, Pub-lished by Arise Biotech Corp.

\* cited by examiner

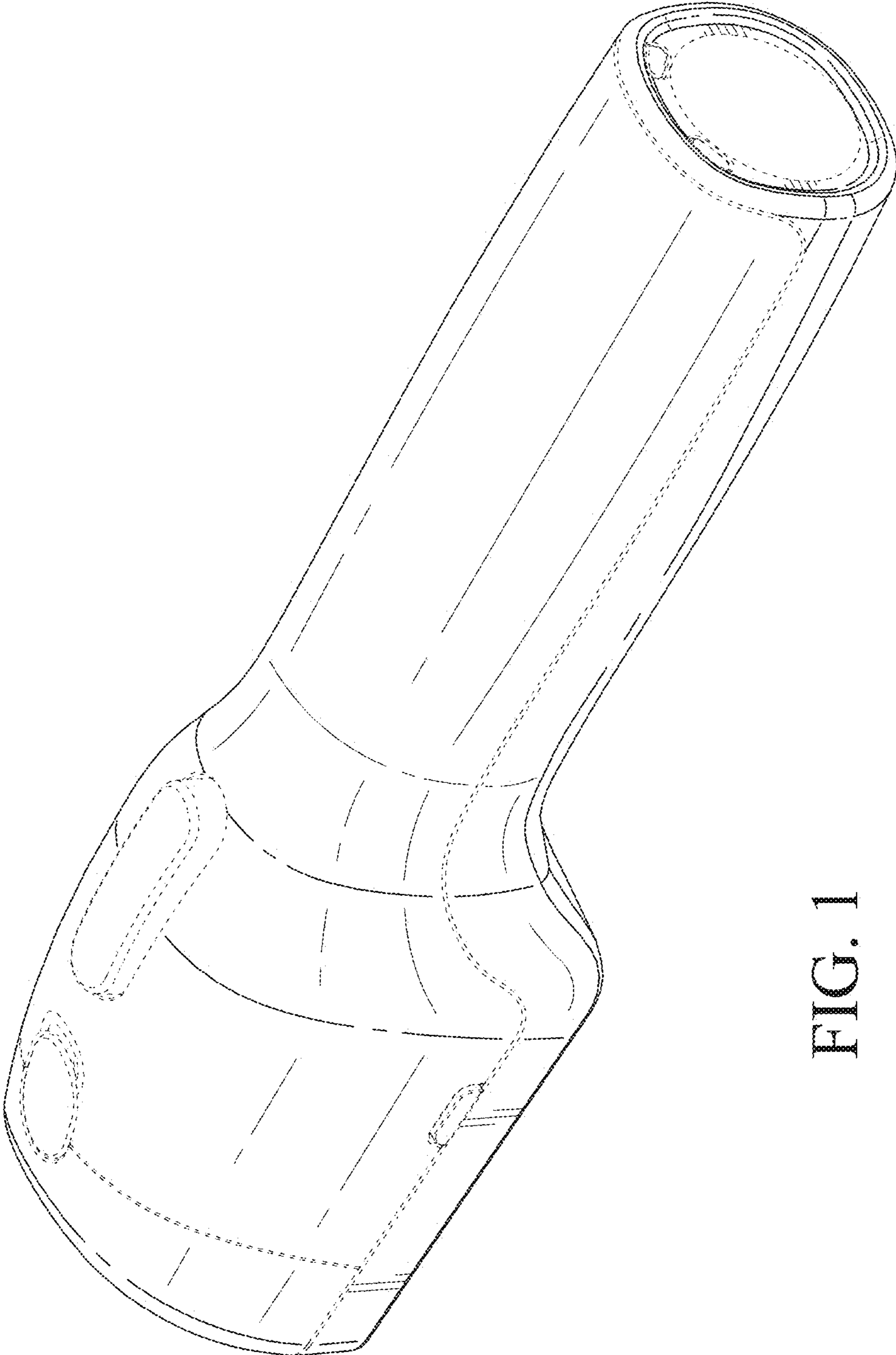


FIG. 1

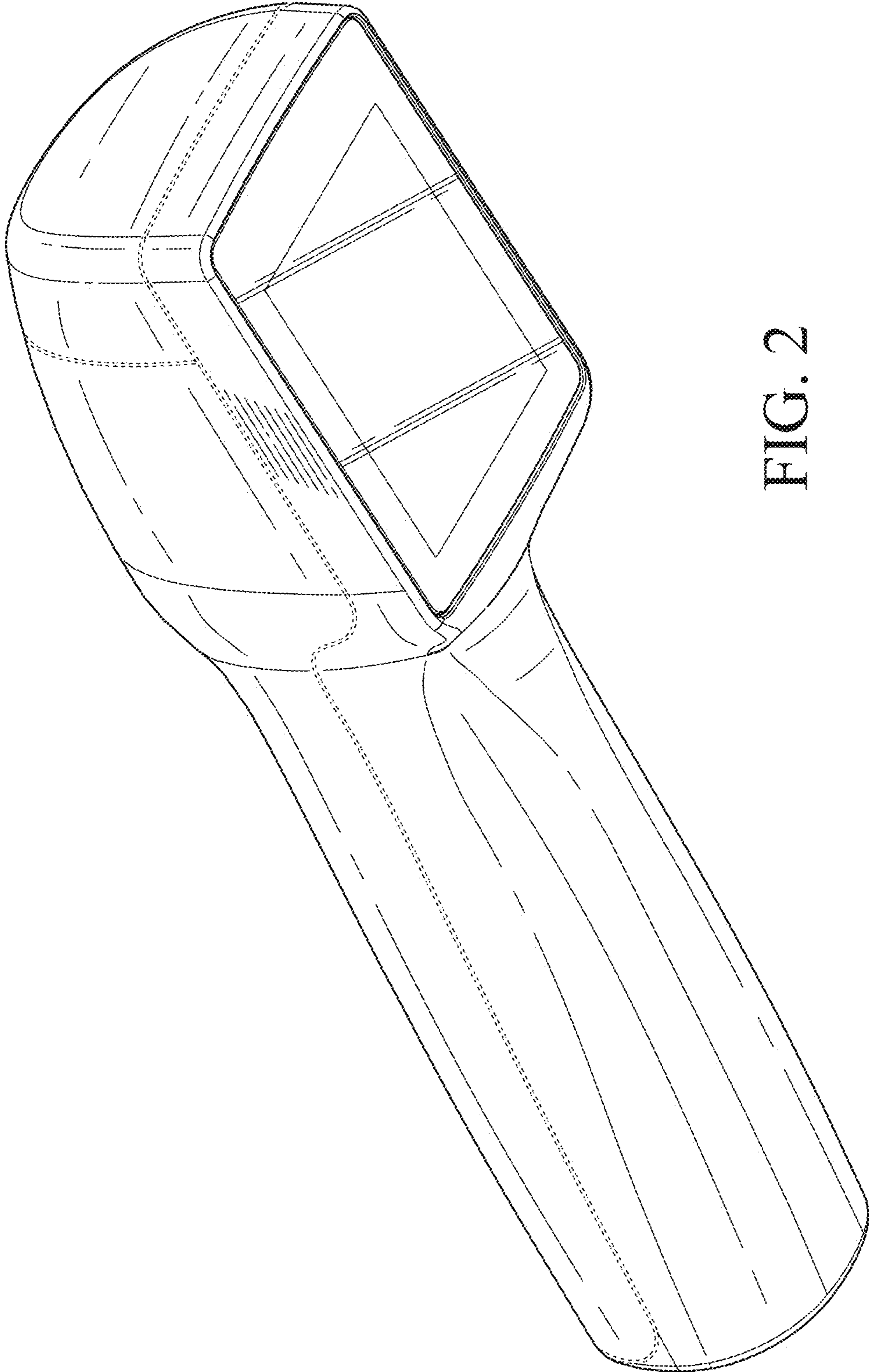


FIG. 2

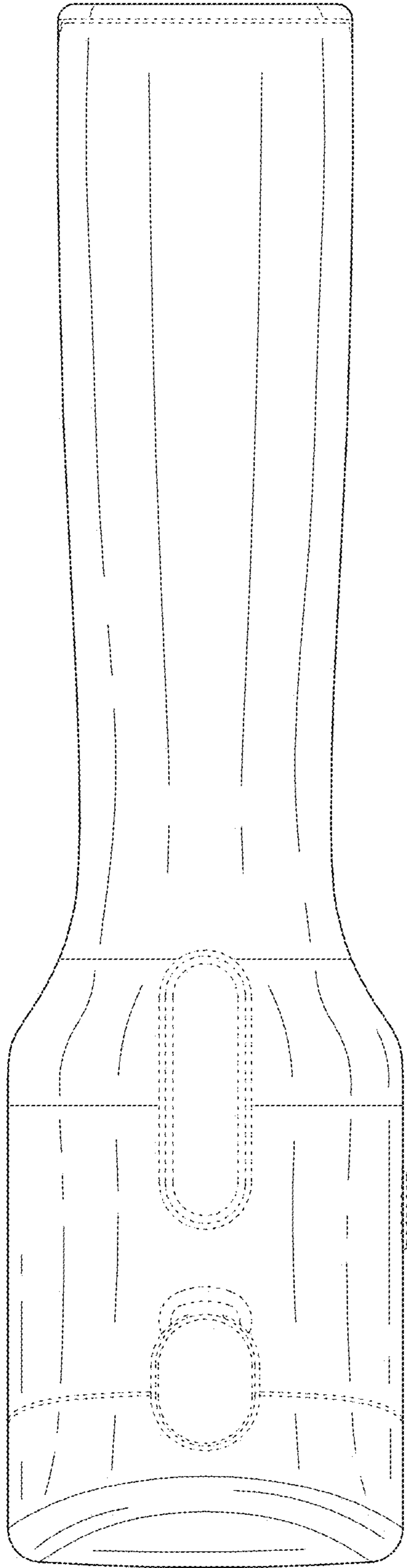


FIG. 3

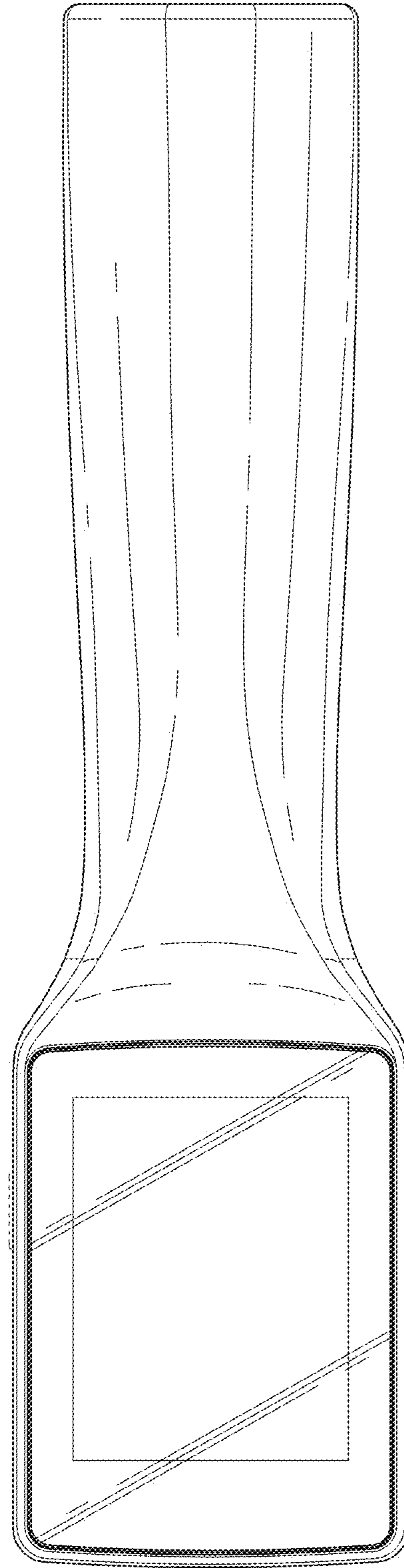


FIG. 4

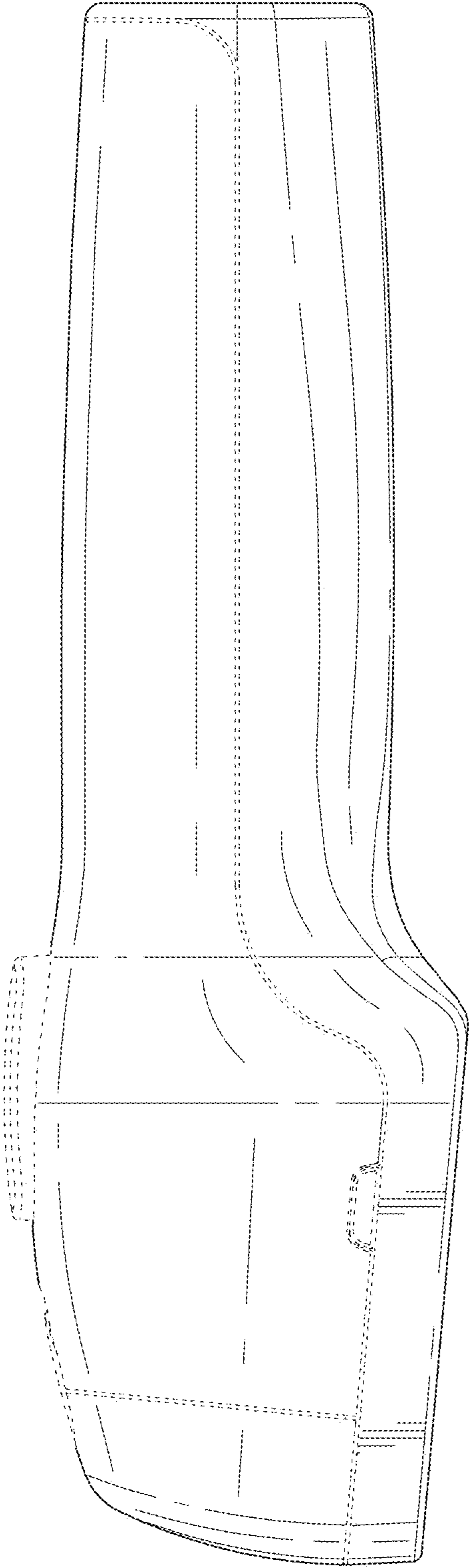


FIG. 5

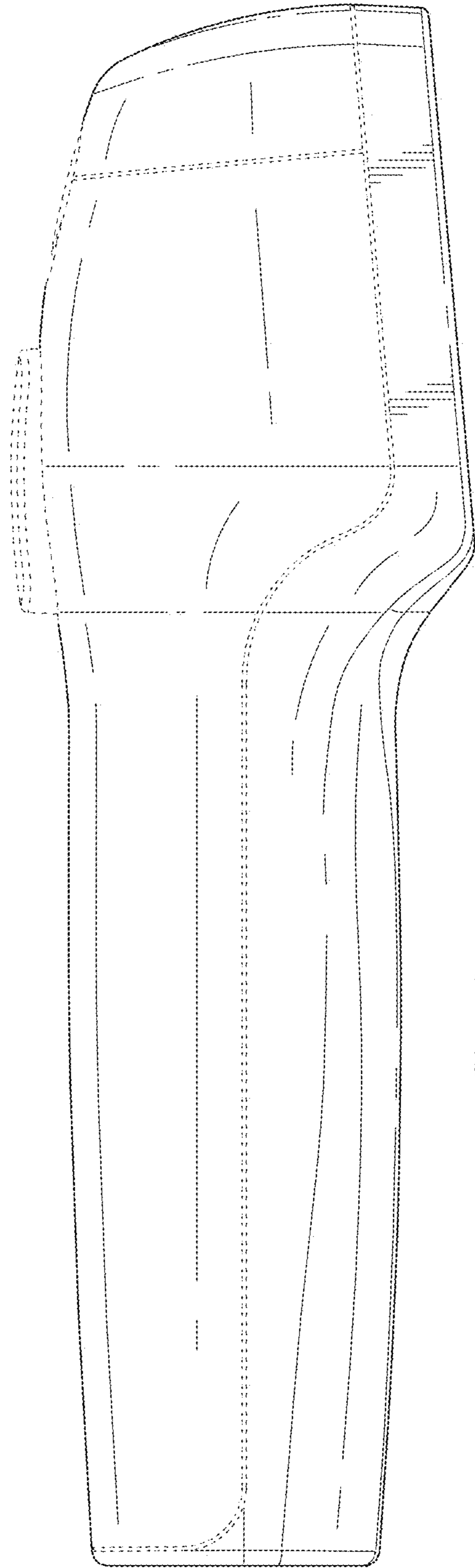


FIG. 6

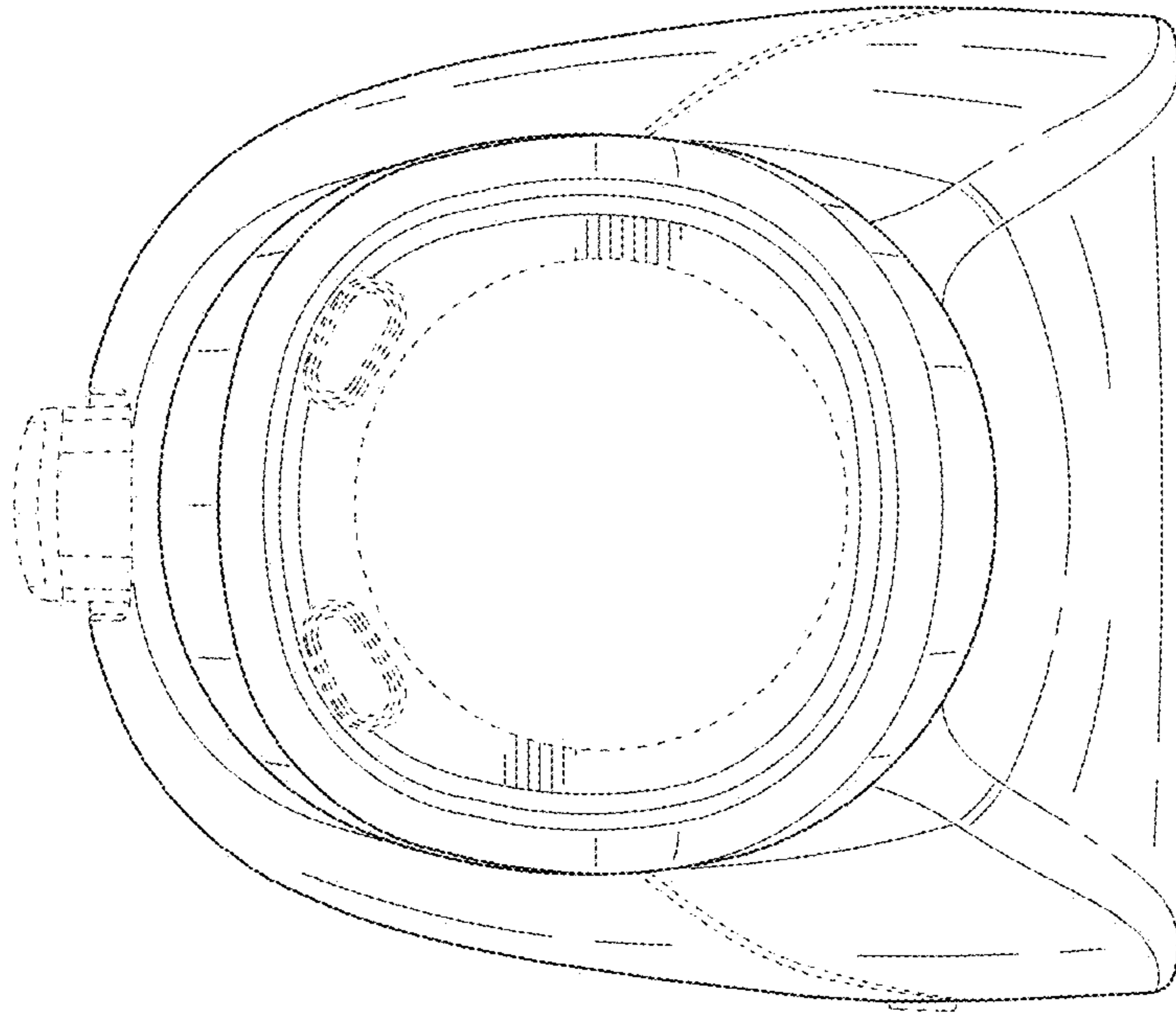


FIG. 8

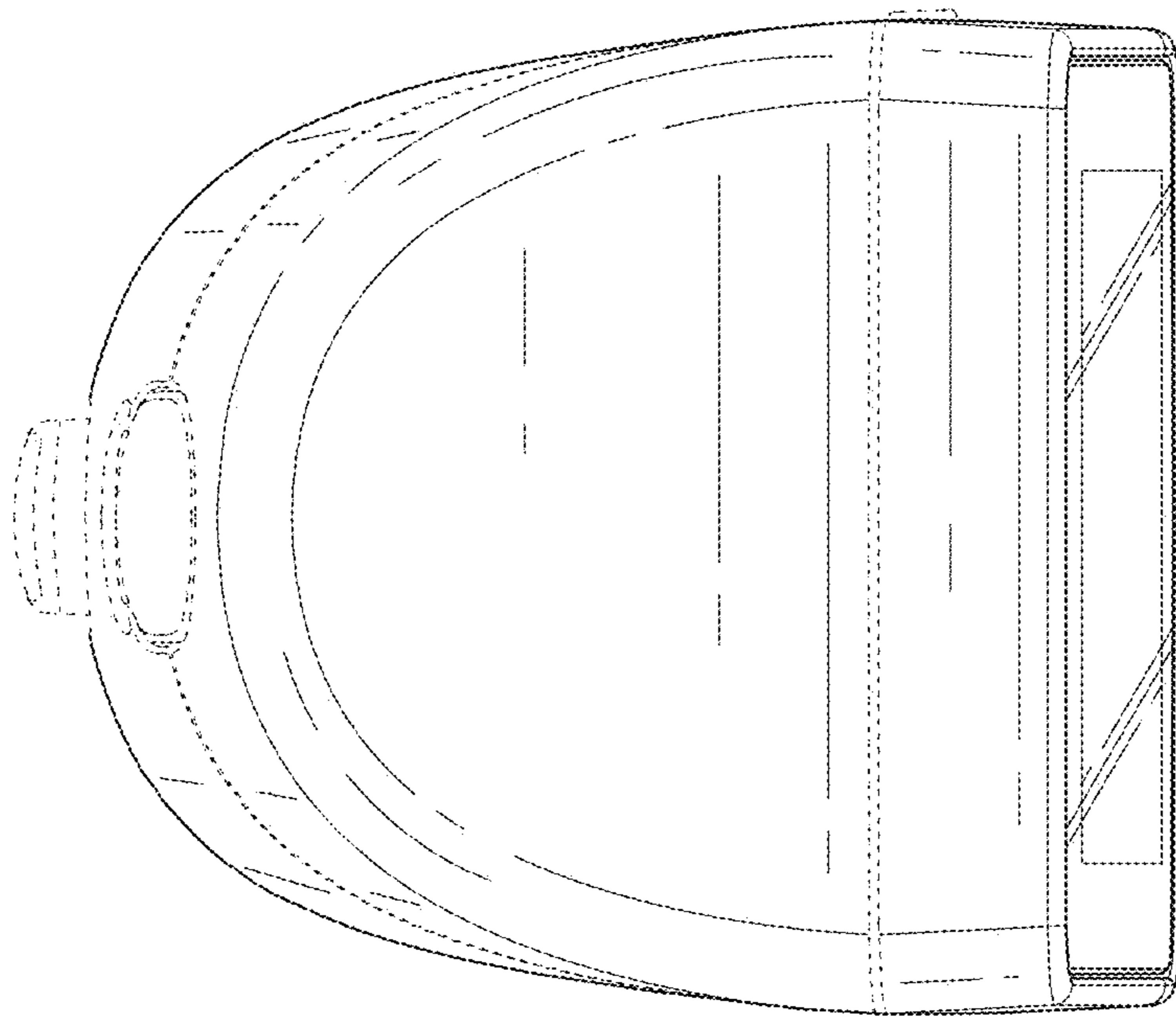


FIG. 7

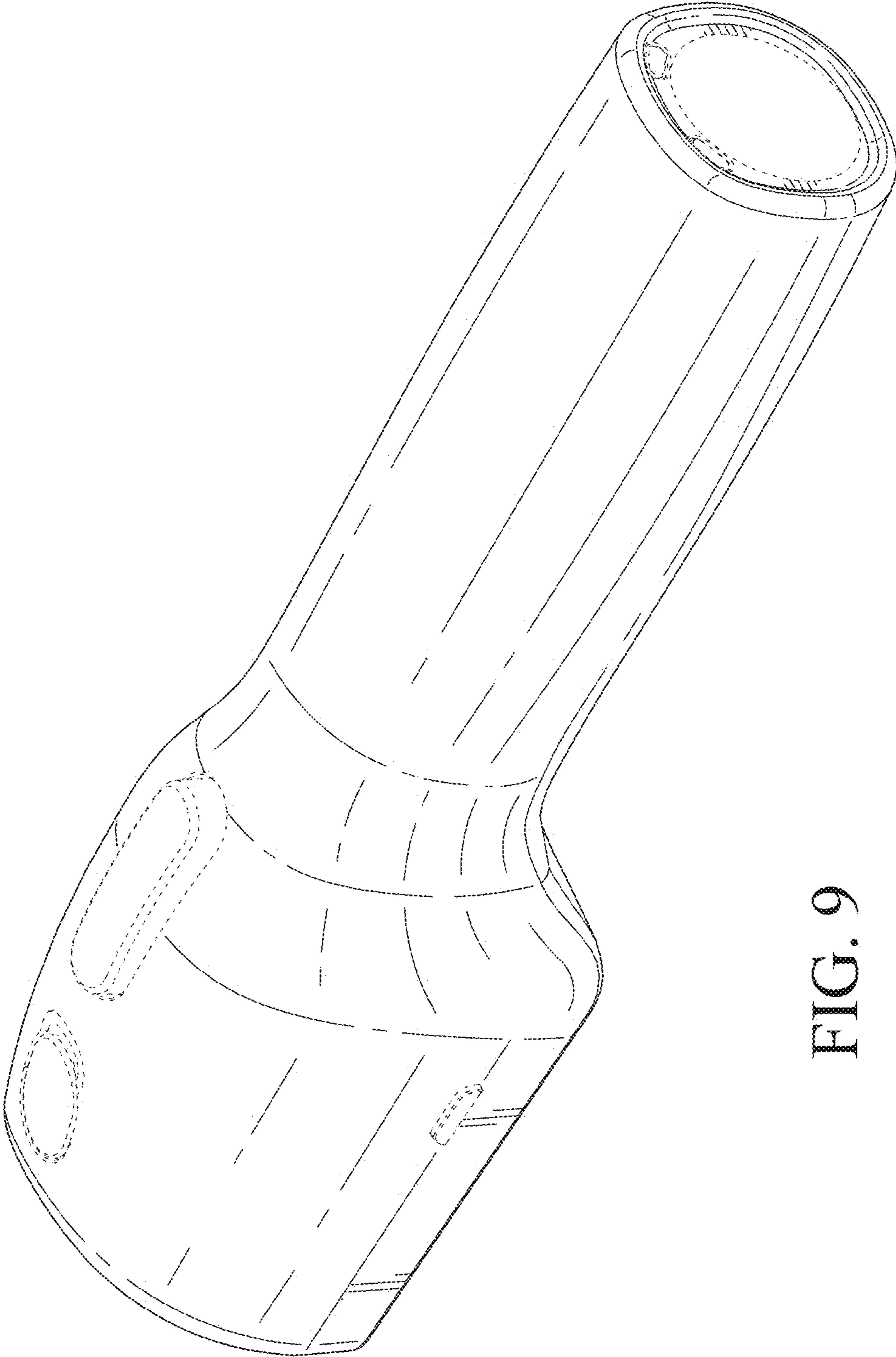


FIG. 9



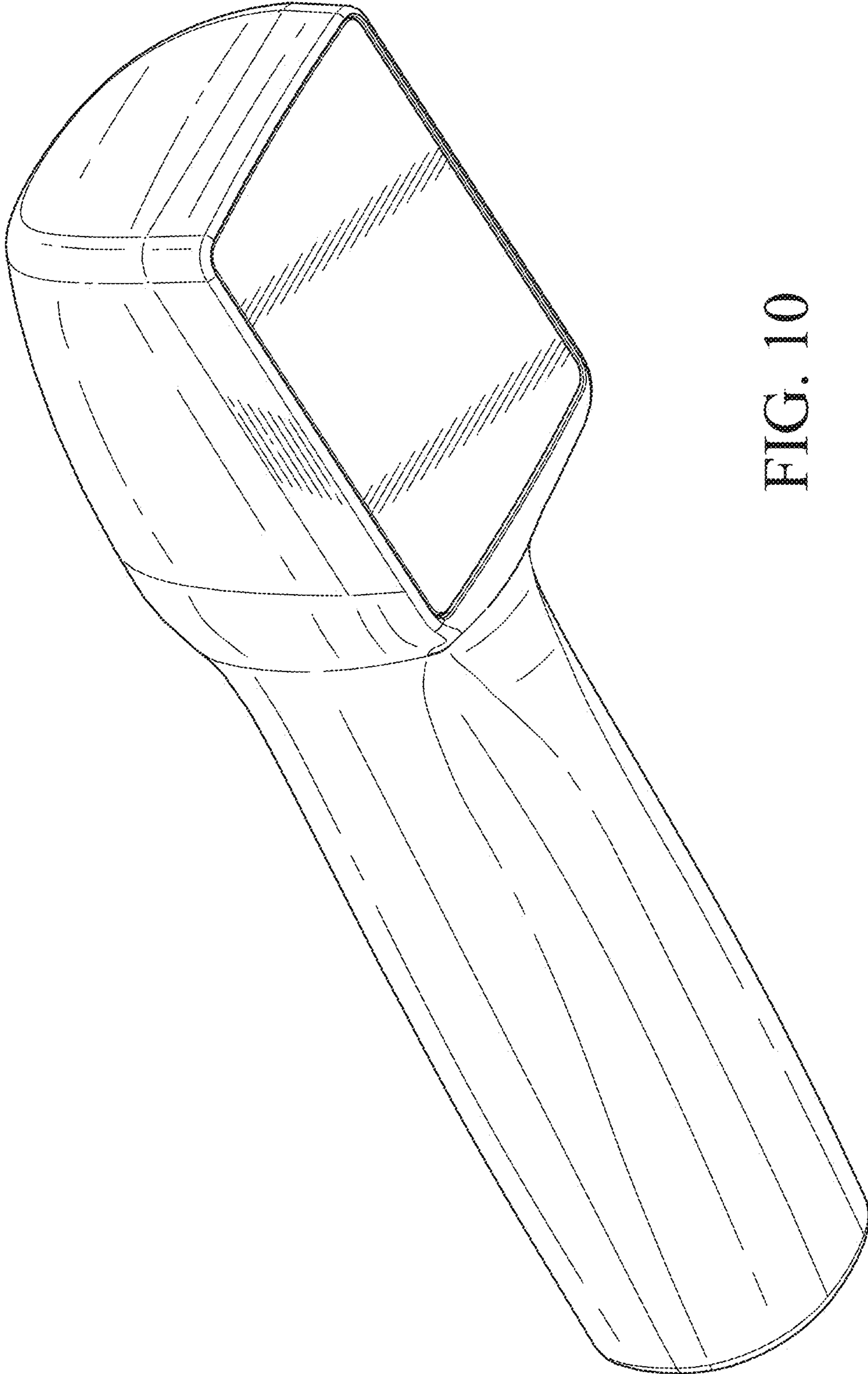


FIG. 10

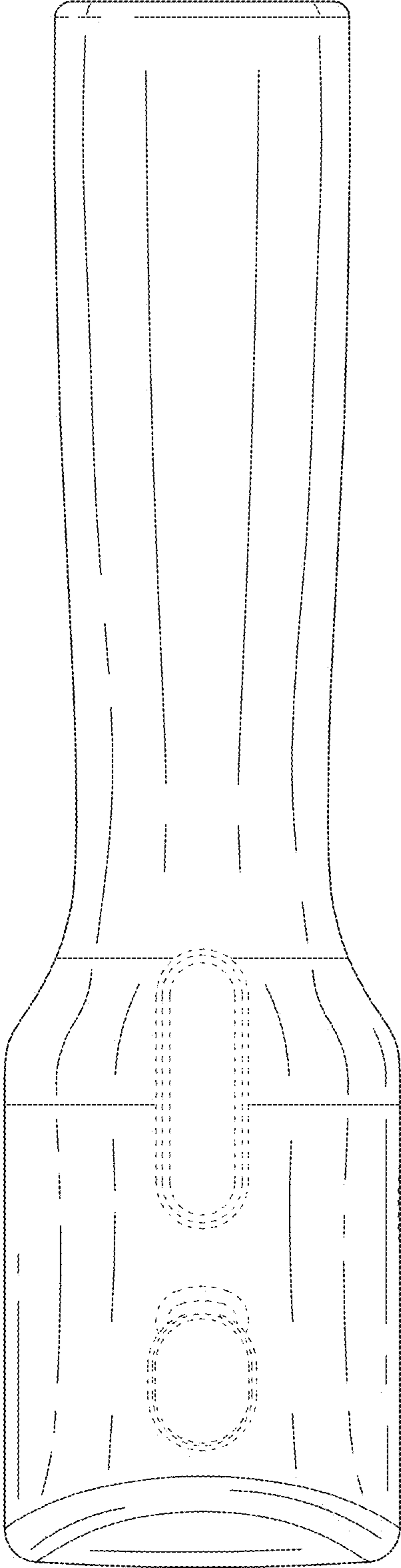


FIG. 11

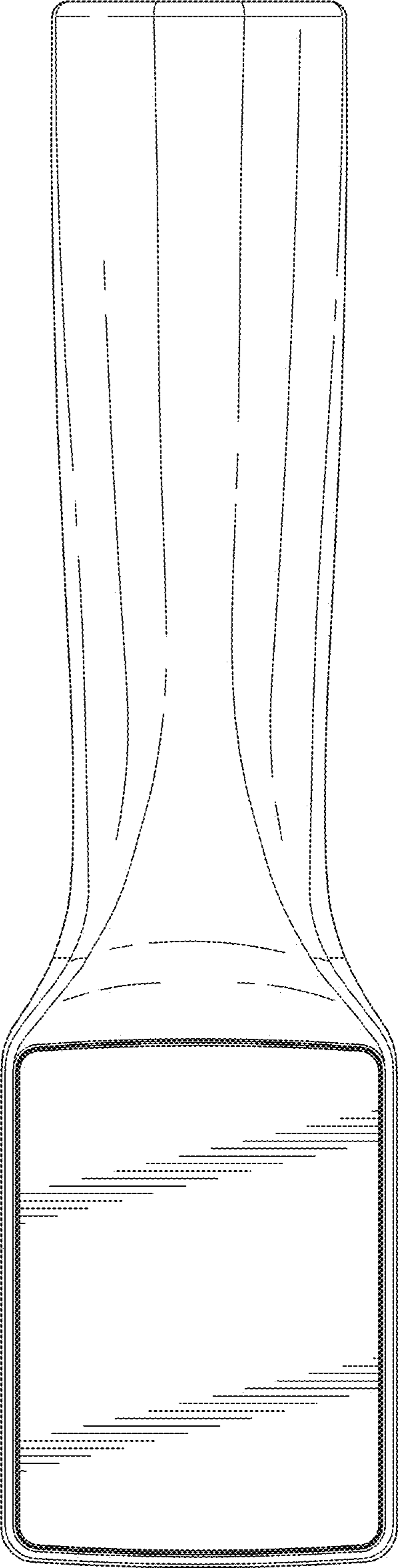


FIG. 12

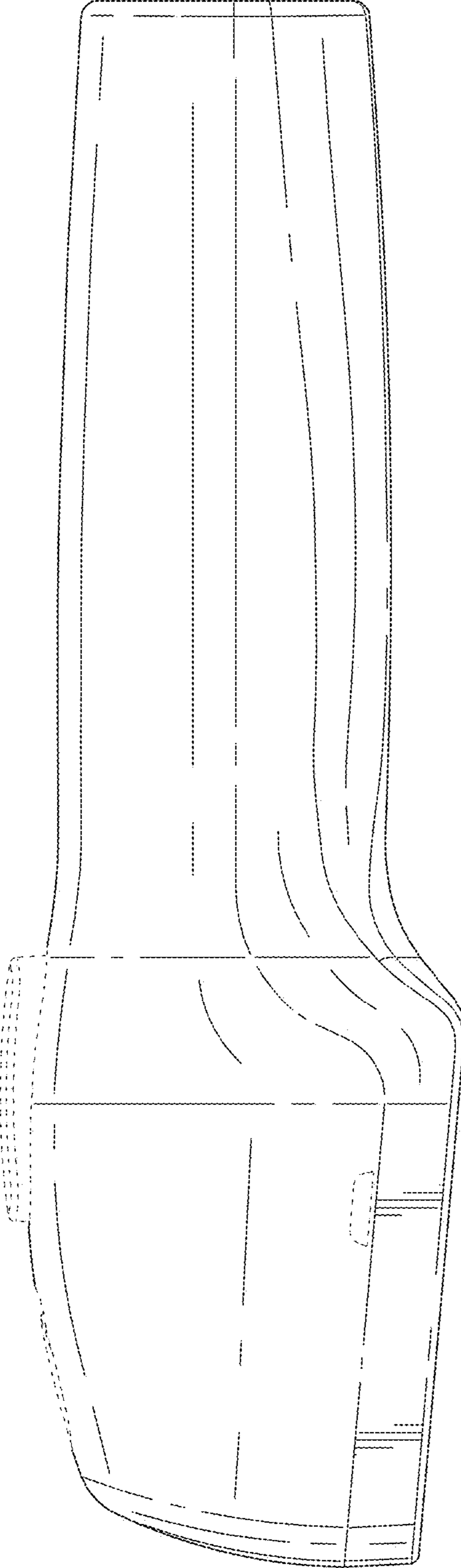


FIG. 13

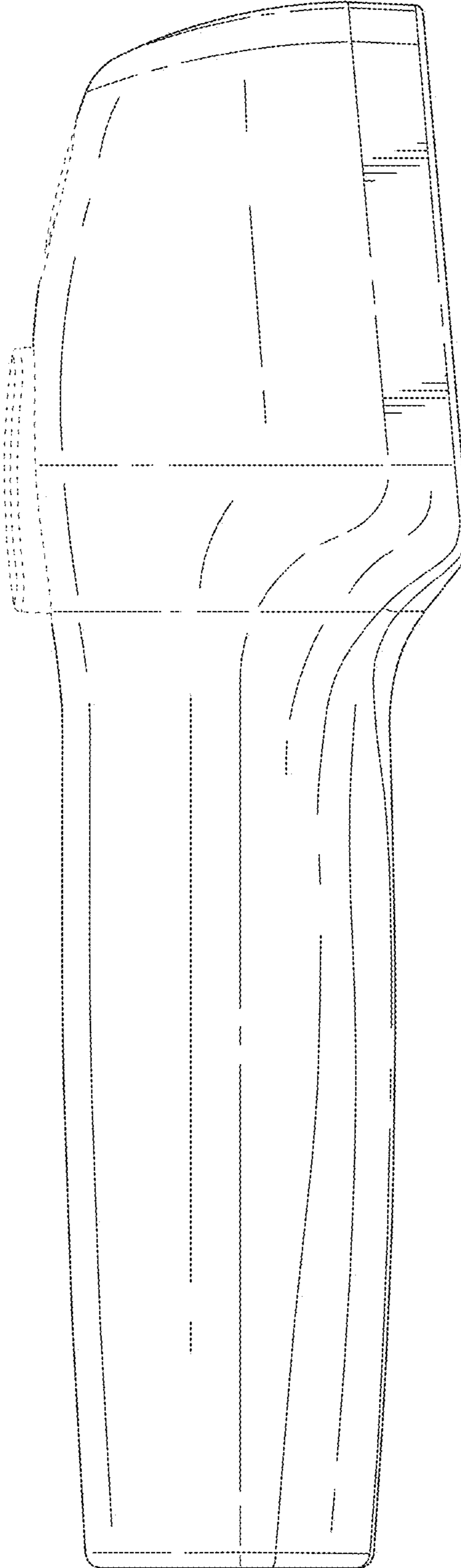


FIG. 14

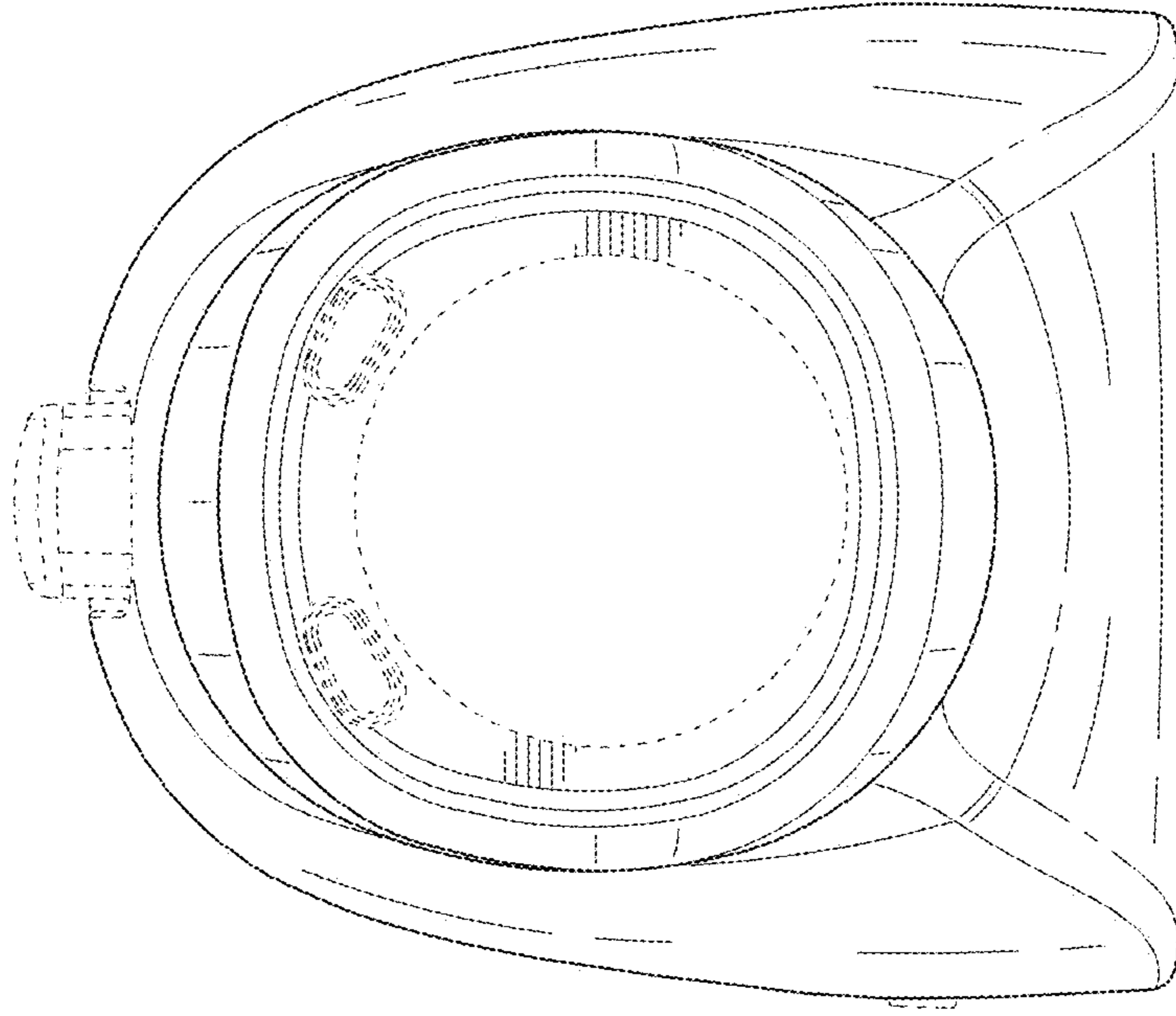


FIG. 15

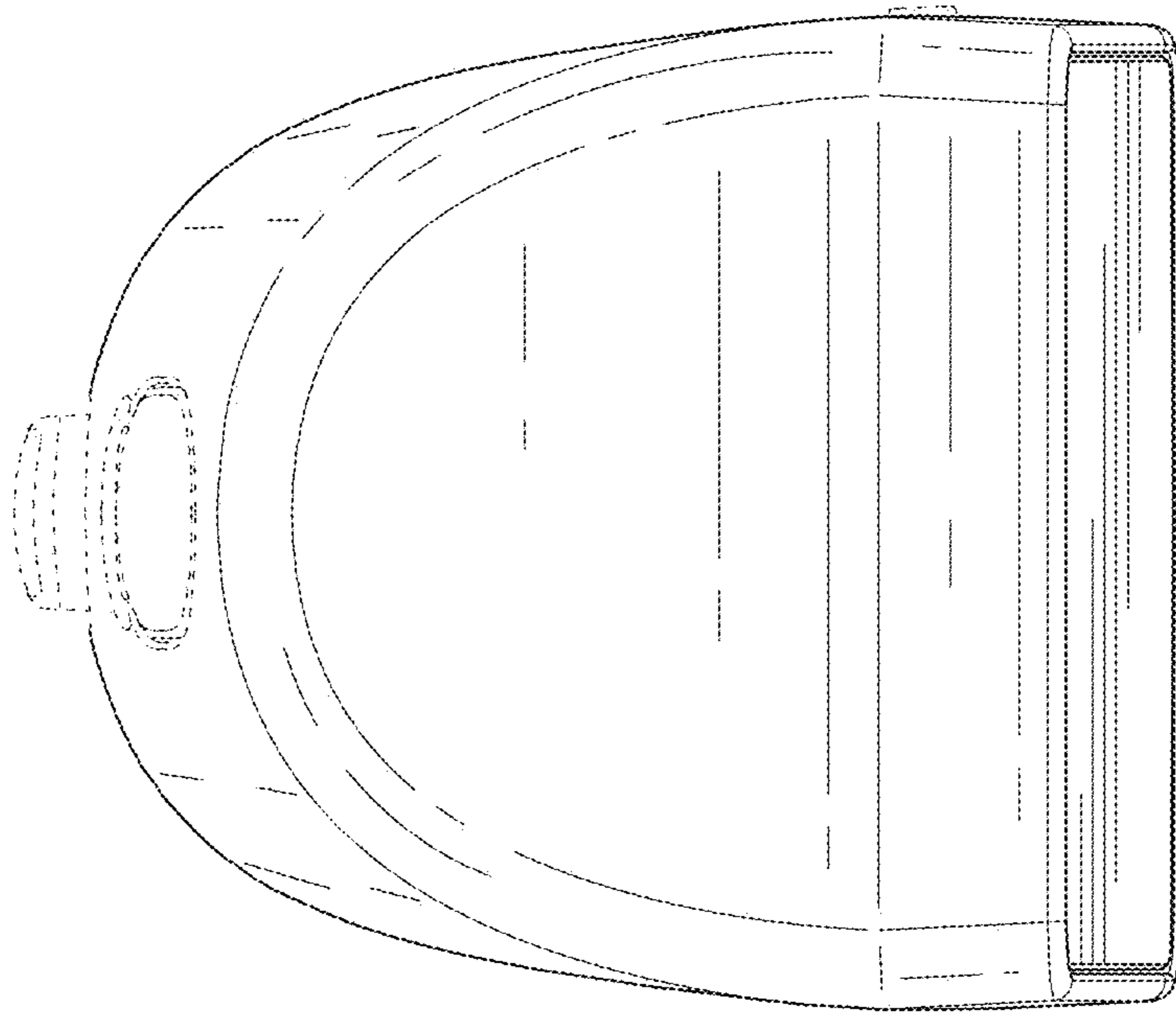


FIG. 16