



US00D871604S

(12) **United States Design Patent** (10) **Patent No.:** **US D871,604 S**  
**Rein et al.** (45) **Date of Patent:** **\*\* Dec. 31, 2019**

(54) **ANALYSIS UNIT**

(71) Applicant: **Robert Bosch GmbH**, Stuttgart (DE)

(72) Inventors: **Stephan Rein**, Augsburg (DE);  
**Karsten Seidl**, Gerlingen (DE); **Anette Ströh**, Berlin (DE); **Jochen Rupp**, Stuttgart (DE); **Fabian Baumann**, Berlin (DE); **Martin Schulz**, Winterbach (DE); **Jonas Breme**, Berlin (DE); **Jessica Behnsen**, München (DE); **Timm Kekeritz**, Berlin (DE); **Christian Dorrer**, Winnenden (DE)

(73) Assignee: **Robert Bosch GmbH**, Stuttgart (DE)

(\*\*) Term: **15 Years**

(21) Appl. No.: **29/635,496**

(22) Filed: **Jan. 31, 2018**

(30) **Foreign Application Priority Data**

Aug. 4, 2017 (EM) ..... 004133551

(51) **LOC (12) Cl.** ..... **24-01**

(52) **U.S. Cl.**  
USPC ..... **D24/216**

(58) **Field of Classification Search**  
USPC ..... D24/107, 185, 186, 216, 231-234;  
D10/81  
CPC ..... G01N 21/0483; G01N 21/0303; G01N  
21/6428; G01N 21/6486; G01N  
35/00029; G01N 35/00019; G01N  
2035/00326; G01N 2201/061; B01L  
3/527; B01L 3/5027; B01L 2200/027;  
B01L 2300/0816; B01L 2300/0822

See application file for complete search history.

(56) **References Cited**

U.S. PATENT DOCUMENTS

D251,114 S \* 2/1979 Potts ..... D10/103  
D722,165 S \* 2/2015 Pukall ..... D24/165  
D731,662 S \* 6/2015 Khan ..... D24/186  
D819,470 S \* 6/2018 Schueren ..... D10/81  
D833,033 S \* 11/2018 Foster ..... D24/233  
D843,007 S \* 3/2019 Schulz ..... D24/216

\* cited by examiner

*Primary Examiner* — Anhdao Doan

(74) *Attorney, Agent, or Firm* — Maginot, Moore & Beck LLP

(57) **CLAIM**

The ornamental design for an analysis unit, as shown and described.

**DESCRIPTION**

Cross reference is made to copending U.S. design patent application Ser. No. 29/603,668 entitled “Analysis Unit” by Schulz et al., which was filed on May 11, 2017.

FIG. 1 is a perspective view of an analysis unit showing our new design;

FIG. 2 is a front elevational view of the analysis unit of FIG. 1;

FIG. 3 is a rear elevational view of the analysis unit of FIG. 1;

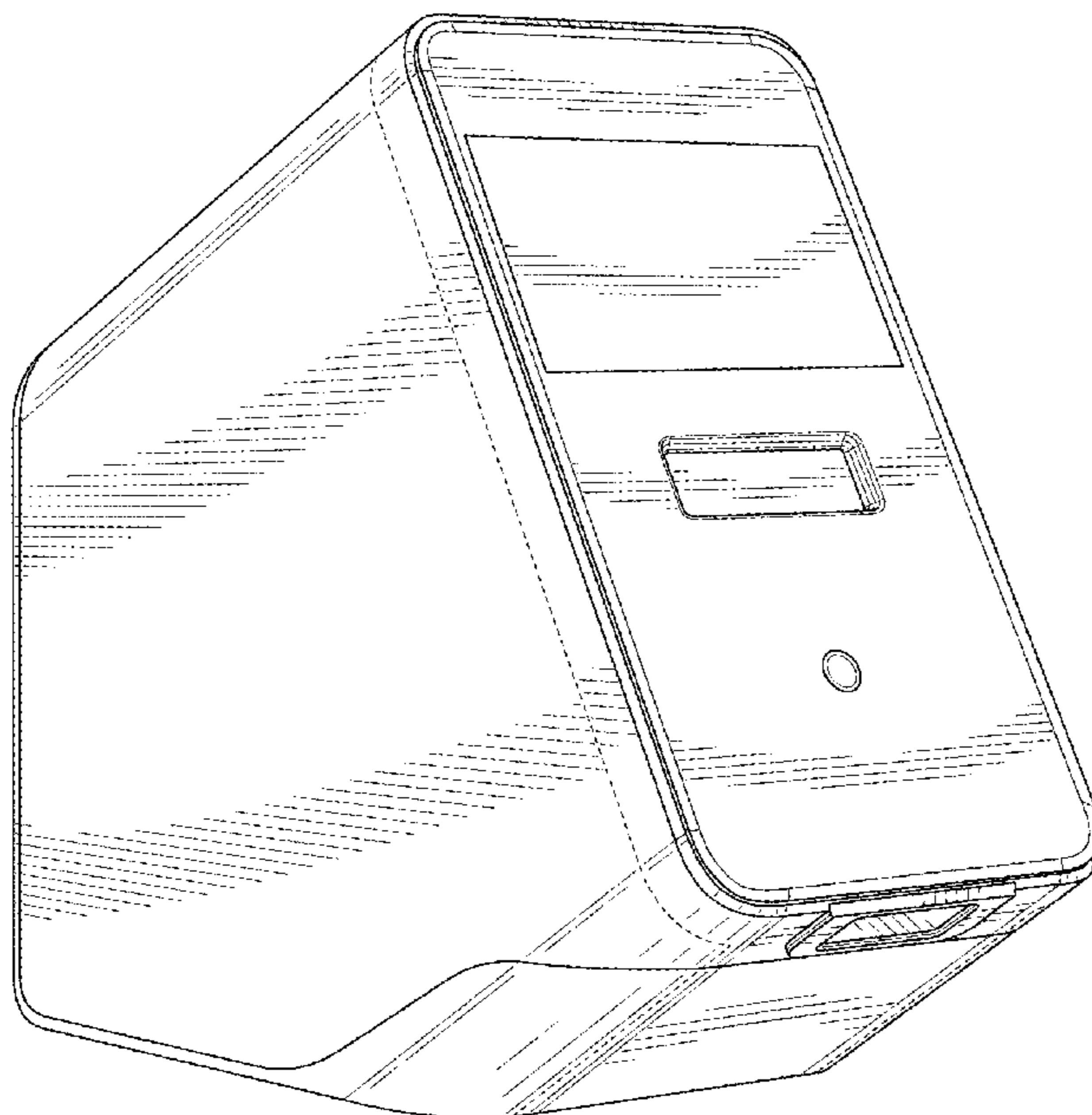
FIG. 4 is a right side elevational view of the analysis unit of FIG. 1;

FIG. 5 is a left side elevational view of the analysis unit of FIG. 1;

FIG. 6 is a top plan view of the analysis unit of FIG. 1; and, FIG. 7 is a bottom plan view of the analysis unit of FIG. 1.

The broken lines shown in the drawings illustrate portions of the analysis unit that form no part of the claimed design.

**1 Claim, 7 Drawing Sheets**



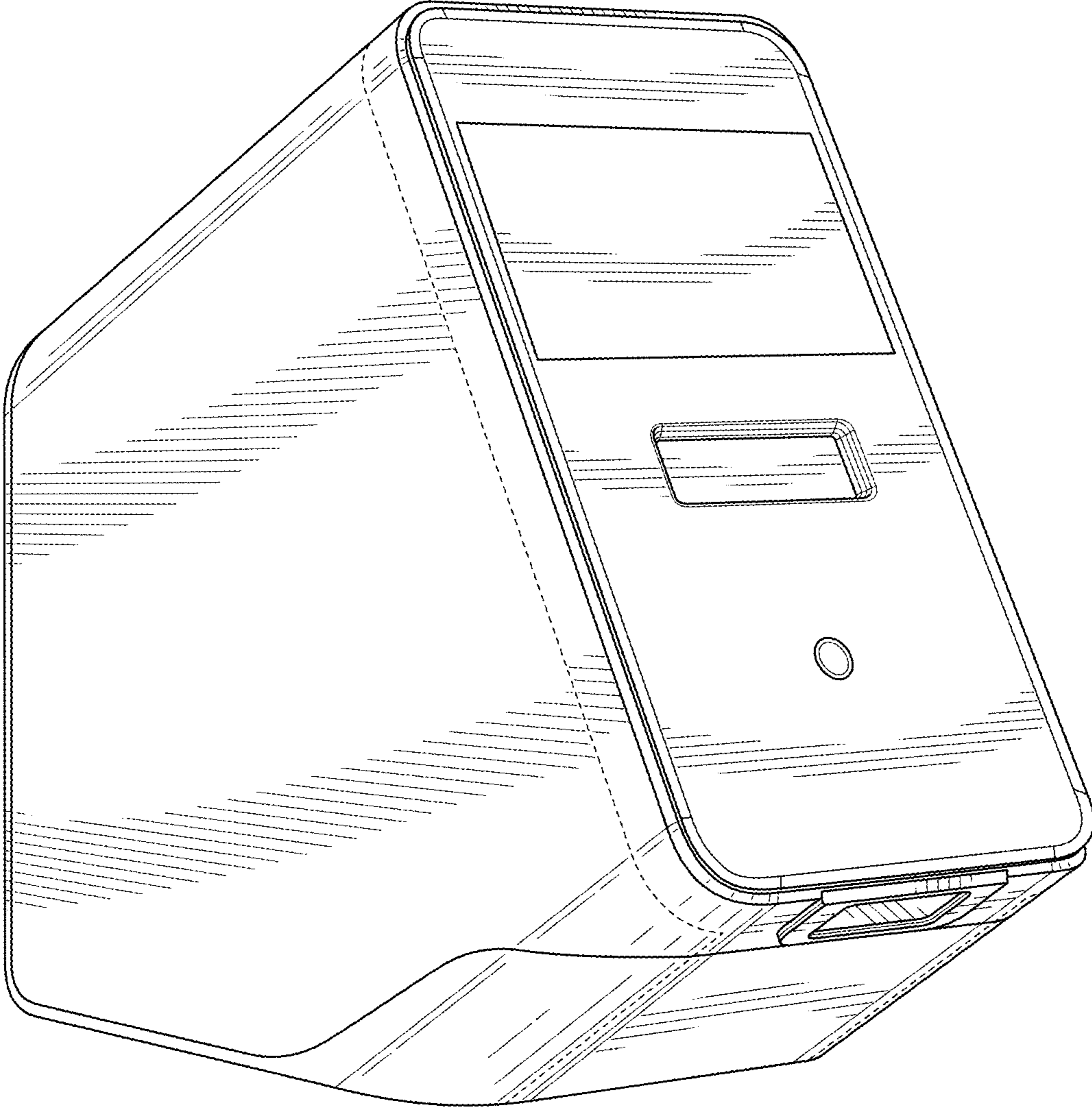
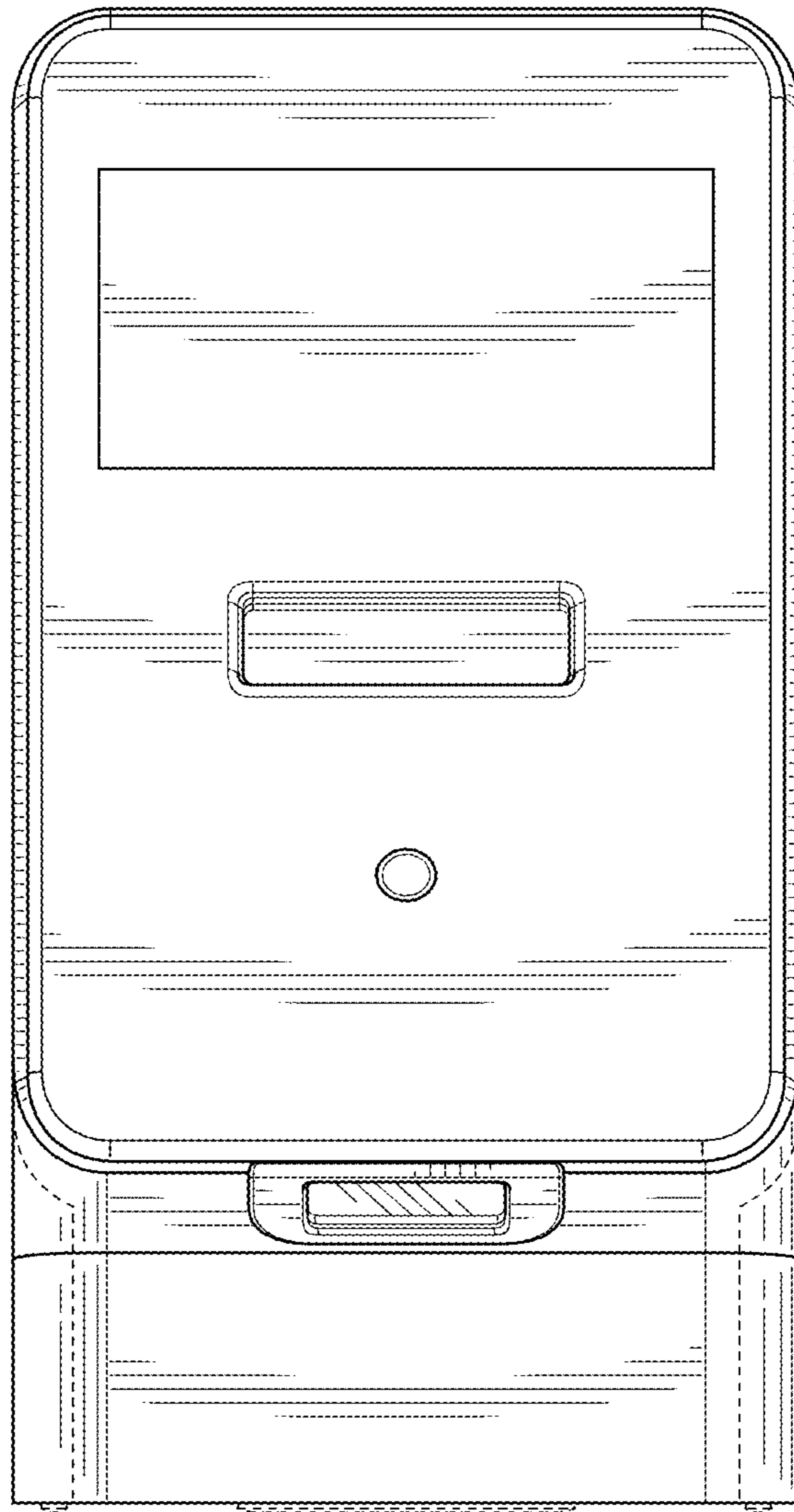
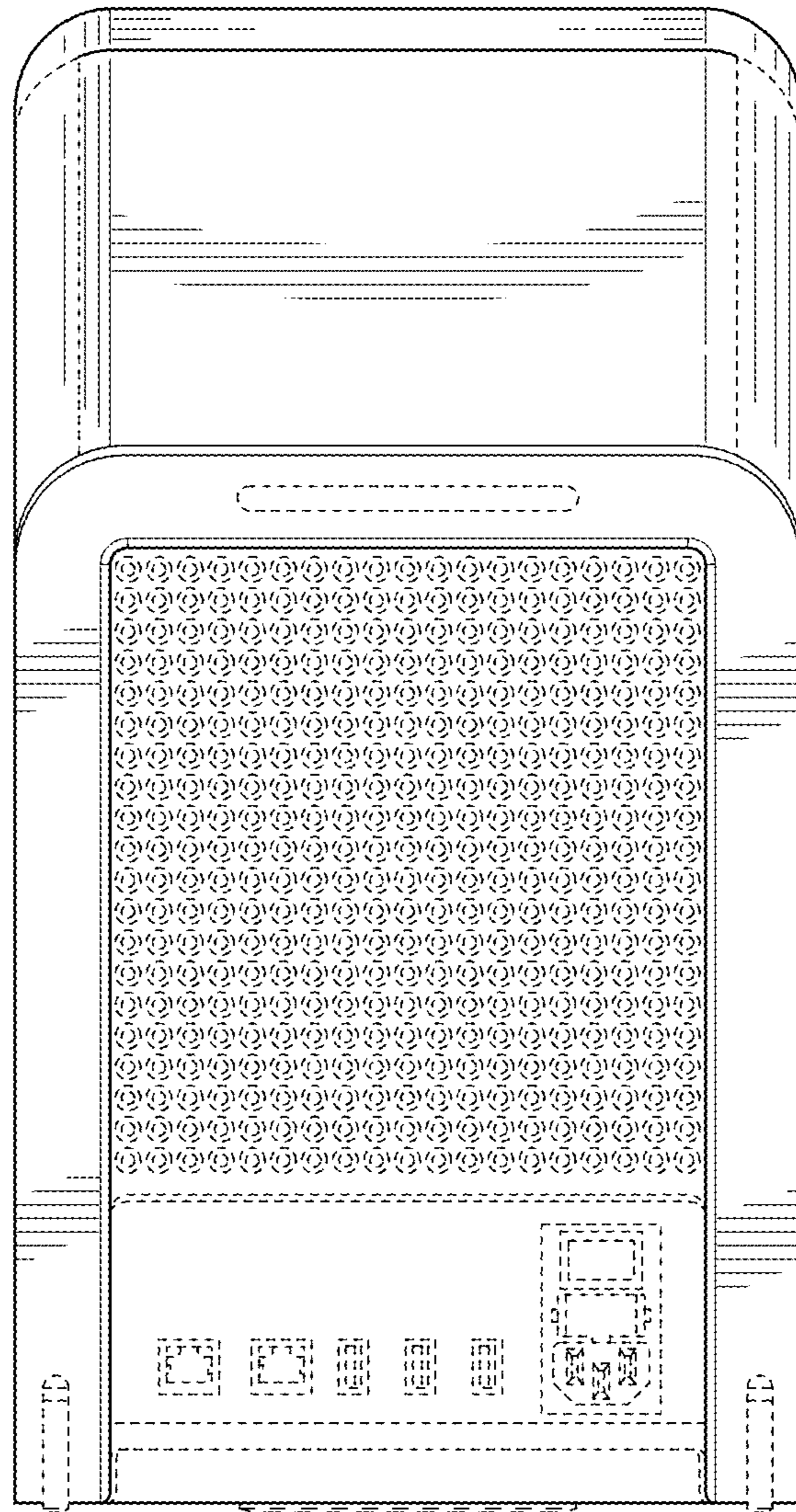


FIG. 1



**FIG. 2**



**FIG. 3**



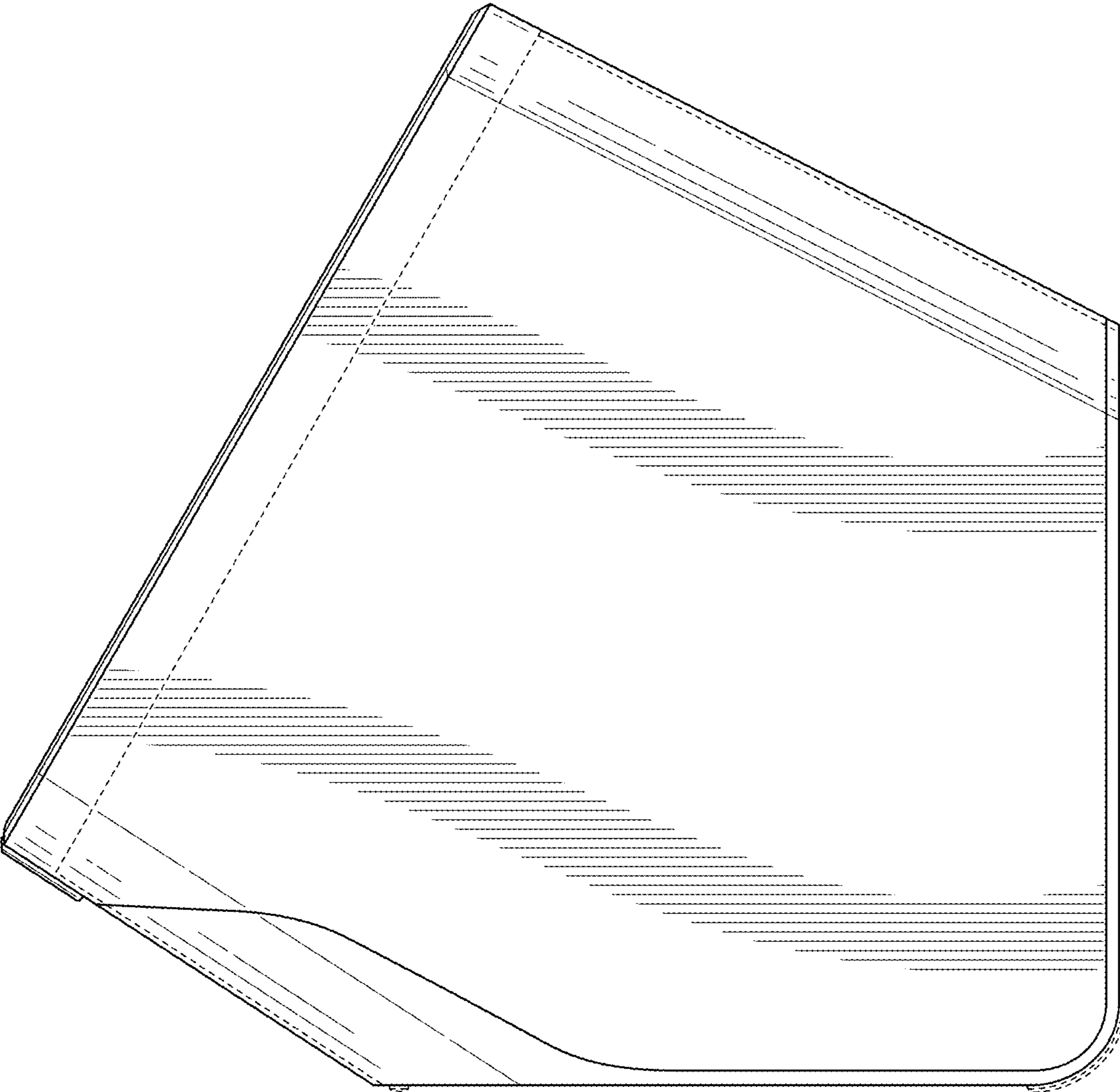


FIG. 4

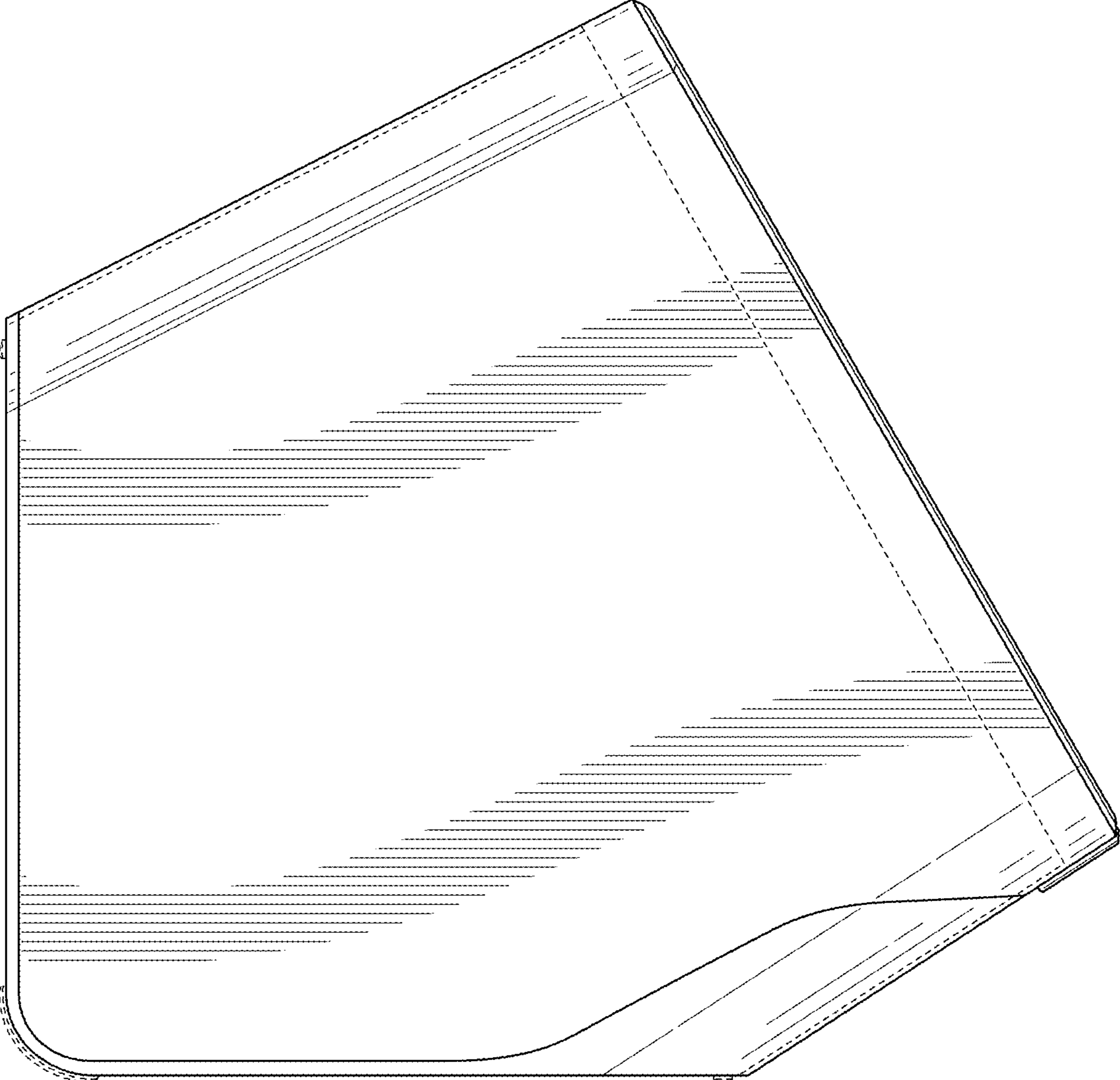
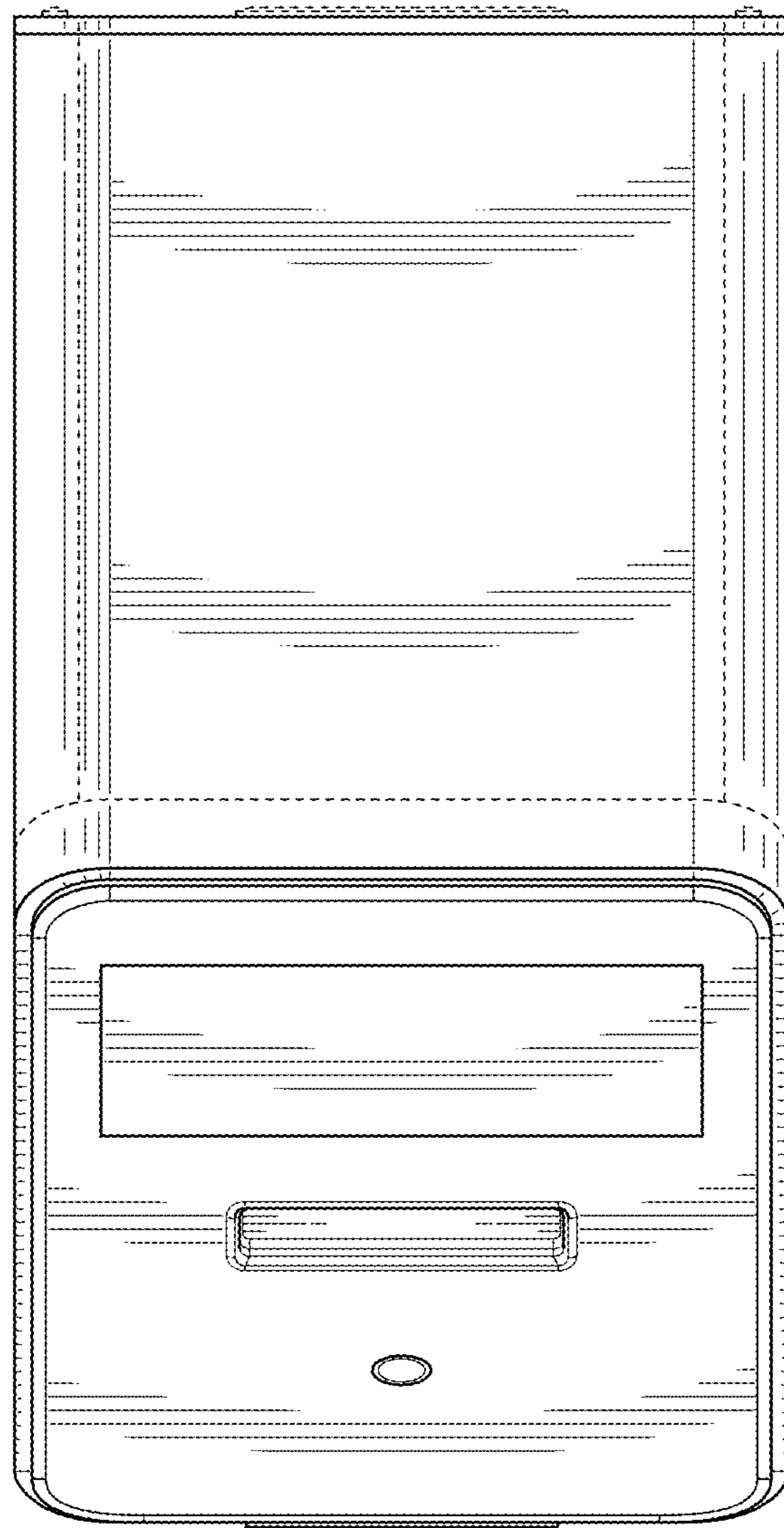
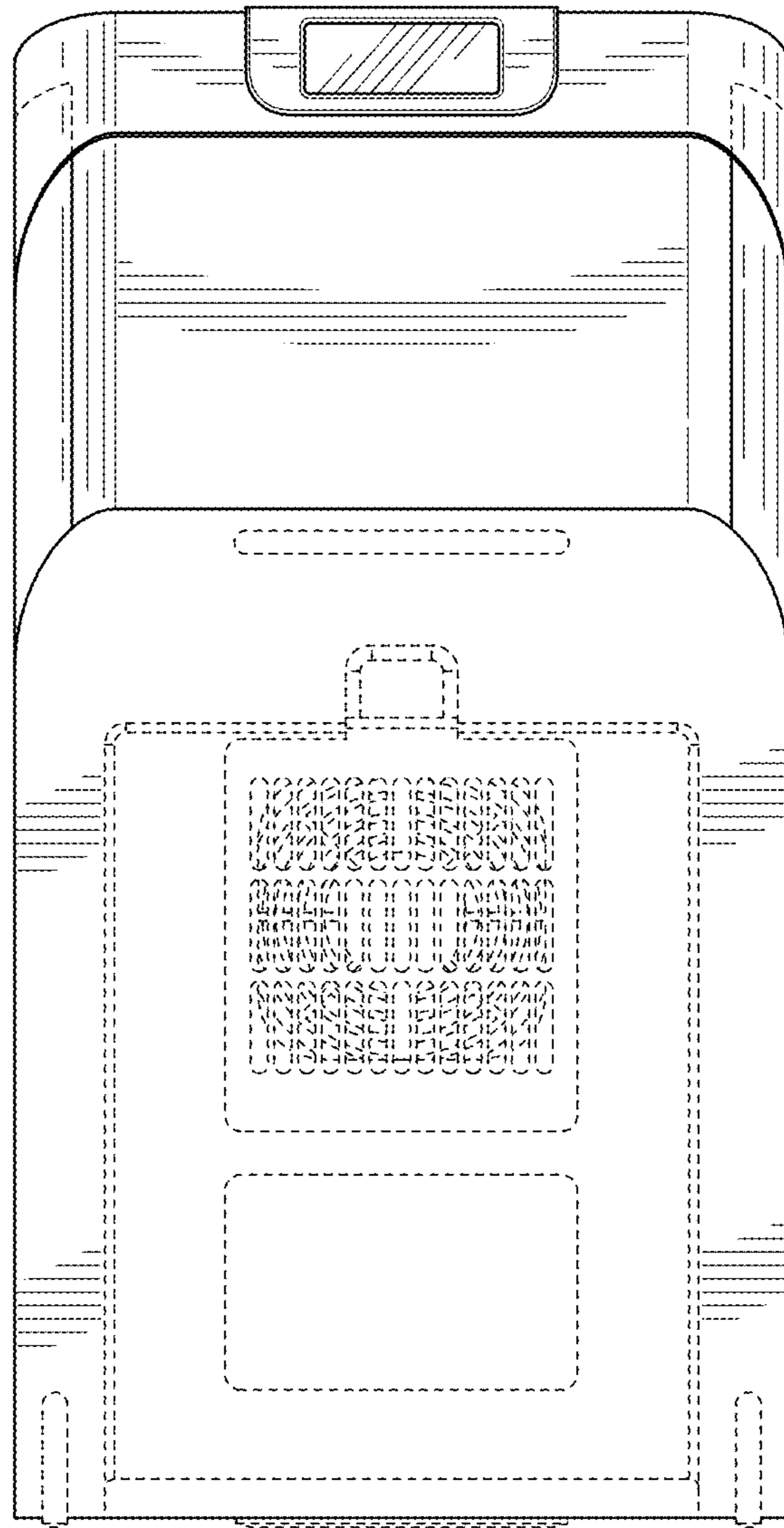


FIG. 5



**FIG. 6**



**FIG. 7**