



US00D871600S

(12) **United States Design Patent** (10) **Patent No.:** **US D871,600 S**
Wang (45) **Date of Patent:** **** Dec. 31, 2019**

(54) **MESSAGE DEVICE FOR BEAUTIFYING LIPS**

(71) Applicant: **Haitao Wang**, Guangdong (CN)

(72) Inventor: **Haitao Wang**, Guangdong (CN)

(**) Term: **15 Years**

(21) Appl. No.: **29/619,244**

(22) Filed: **Sep. 27, 2017**

(51) **LOC (12) Cl.** **28-03**

(52) **U.S. Cl.**
USPC **D24/215**

(58) **Field of Classification Search**
USPC .. 601/15, 18, 19, 27, 28-32, 46, 47, 48, 52, 601/99, 112, 113, 118, 135, 137, DIG. 12, 601/DIG. 14, DIG. 15, DIG. 16, DIG. 17; D24/133, 200, 211, 212, 213, 214, 215; D30/160; 600/38, 39; D9/723, 726, 727; 606/9, 32
CPC A61H 2201/0153; A61H 19/34; A61H 19/50; A61H 19/40
See application file for complete search history.

(56) **References Cited**

U.S. PATENT DOCUMENTS

D443,058 S *	5/2001	Mulhauser	D24/133
6,458,073 B1 *	10/2002	Bonthuys	A61F 5/41 600/38
D585,987 S *	2/2009	Aparici	D24/133
D585,997 S *	2/2009	Adam	D24/200
D620,601 S *	7/2010	TerMeer	D24/215
D623,310 S *	9/2010	Cheng	D24/211
D623,311 S *	9/2010	Aulwes	D24/214
D636,888 S *	4/2011	Nikitzuk	D24/215
D641,468 S *	7/2011	Ruiz, Sr.	D24/133
D641,469 S *	7/2011	Ruiz, Sr.	D24/133
D652,513 S *	1/2012	Sherwood	D24/133
D652,919 S *	1/2012	Sherwood	D24/133

D655,004 S *	2/2012	Ruiz, Sr.	D24/133
D663,836 S *	7/2012	Ruiz, Sr.	D24/133
D666,733 S *	9/2012	Caggiano	D24/215
D693,017 S *	11/2013	Tai	D24/215
D693,933 S *	11/2013	Tai	D24/215
D694,416 S *	11/2013	Tai	D24/215
D694,417 S *	11/2013	Tai	D24/215
D695,413 S *	12/2013	Grust	D24/214
D696,413 S *	12/2013	Tai	D24/215
D704,345 S *	5/2014	Tai	D24/215
D708,961 S *	7/2014	Jung	D9/723
D757,565 S *	5/2016	Partrat	D9/726

(Continued)

OTHER PUBLICATIONS

Alibaba, "2018 New Arrival Eye and Lip Stick Massager . . . ", Jun. 22, 2018. https://www.alibaba.com/product-detail/New-waterproof-quiet-adult-toy-G_60699927341.html?spm=a2700.details.maylikehoz.1.71c43b20rklmKe. Shown on p. 1. (Year: 2018).*

Primary Examiner — Cynthia Ramirez
Assistant Examiner — Michael A Maharajh

(57) **CLAIM**

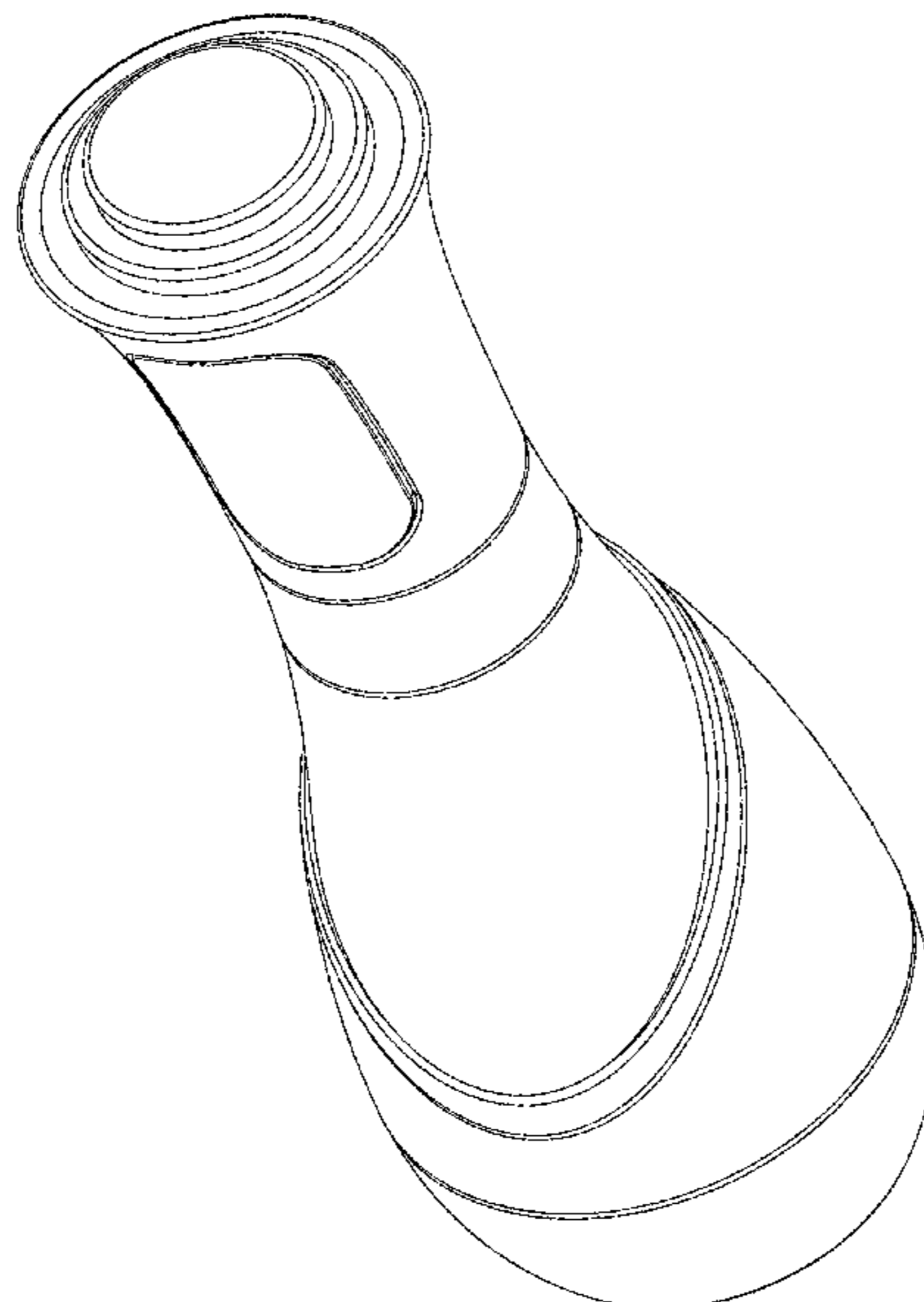
I claim the ornamental design for a massage device for beautifying lips, as shown and described.

DESCRIPTION

FIG. 1 is a perspective view of a massage device for beautifying lips showing my new design; FIG. 2 is a front elevational view thereof; FIG. 3 is a rear elevational view thereof; FIG. 4 is a left side elevational view thereof; FIG. 5 is a right side elevational view thereof; FIG. 6 is a top plan view thereof; and, FIG. 7 is a bottom plan view thereof.

The broken lines shown in drawings are for the purpose of illustrating portions of the massage device for beautifying lips, which form no part of the claimed design.

1 Claim, 7 Drawing Sheets



(56)

References Cited

U.S. PATENT DOCUMENTS

D759,260 S *	6/2016	Topolovac	D24/215
D759,261 S *	6/2016	Son	D24/215
D760,914 S *	7/2016	Hutchinson	D24/215
D768,308 S *	10/2016	Hetzel	D24/214
D773,938 S *	12/2016	Weber	D9/726
D795,065 S *	8/2017	Son	D9/726
D808,821 S *	1/2018	Moreau	D9/723
2008/0065056 A1 *	3/2008	Powell	A61N 5/0616 606/9

* cited by examiner

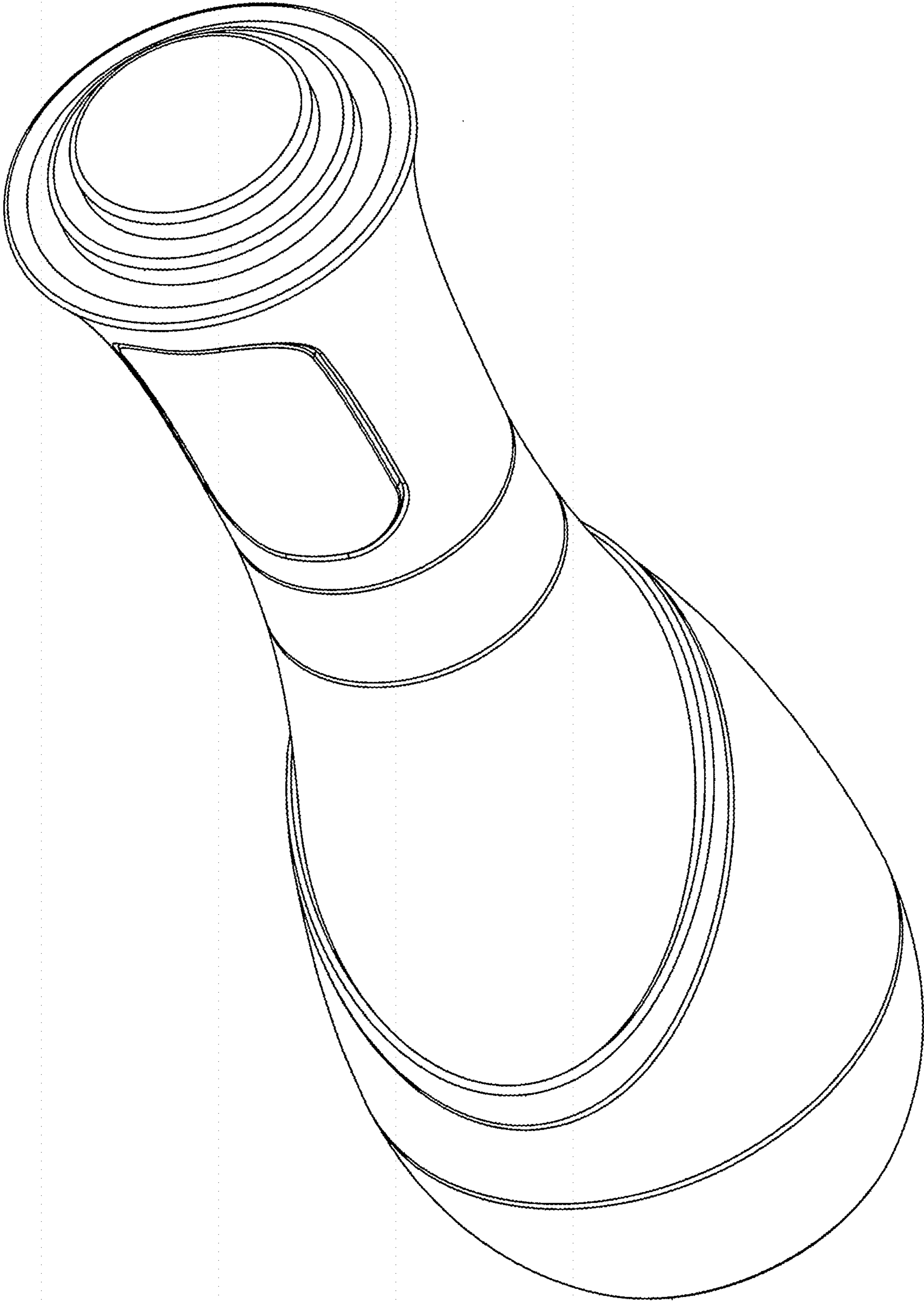


FIG. 1

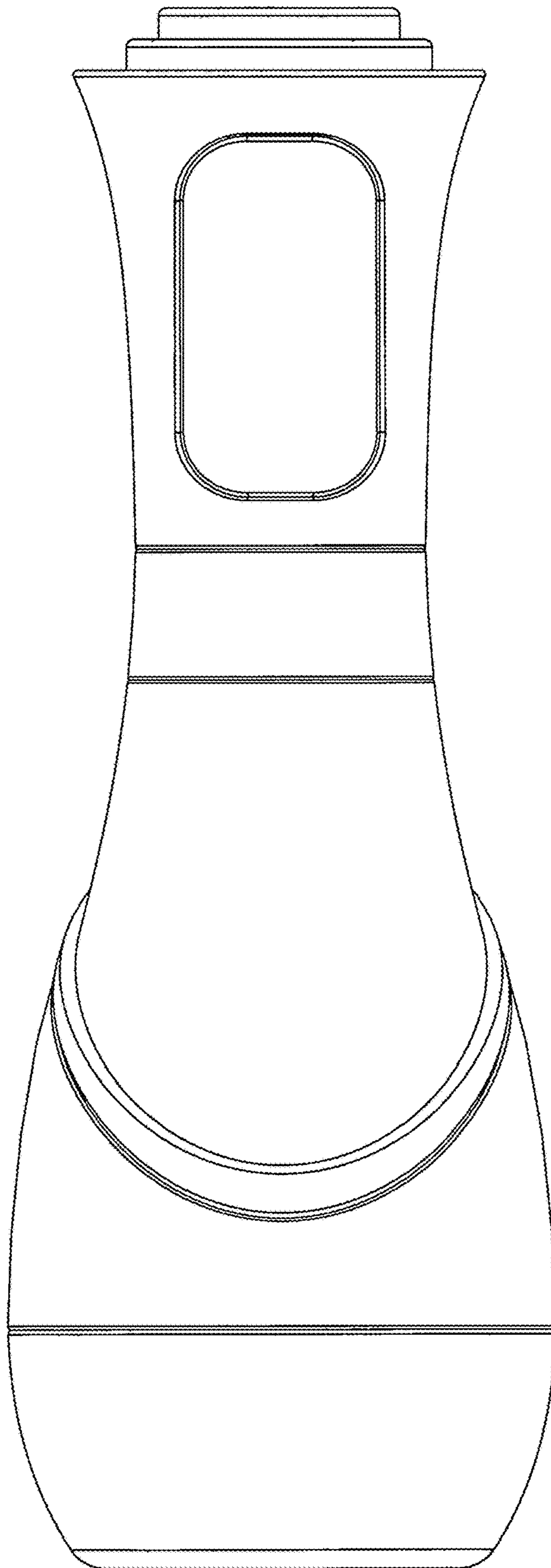


FIG. 2

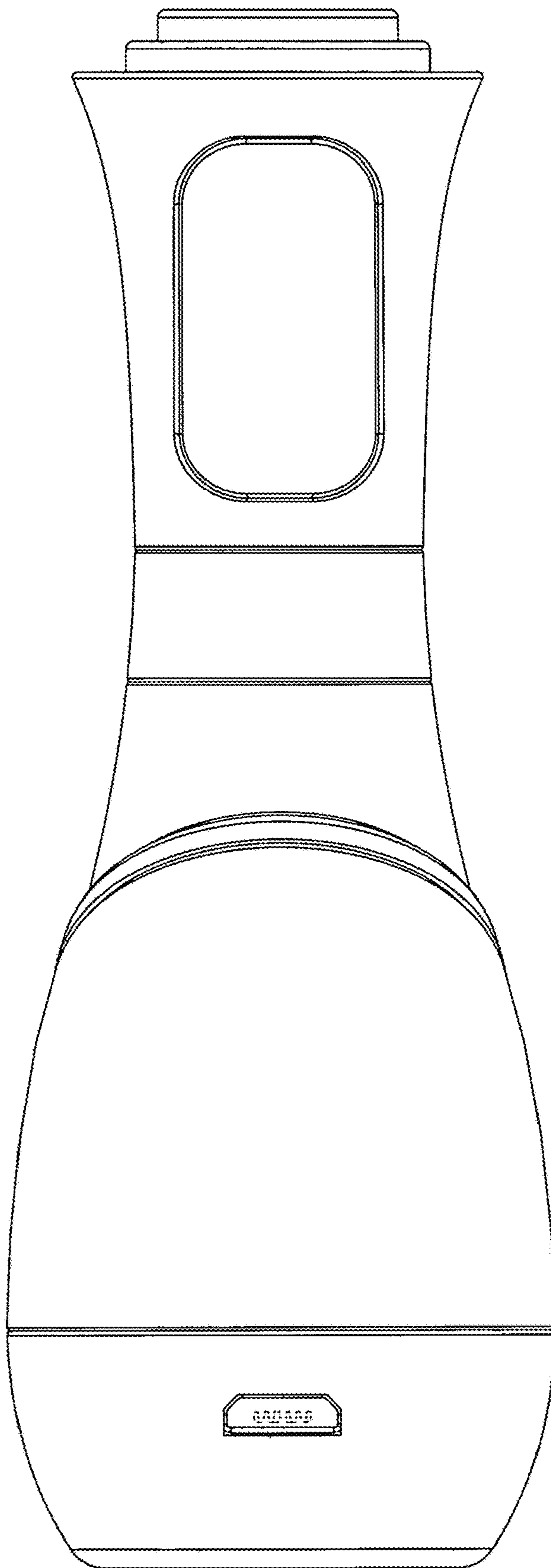


FIG. 3

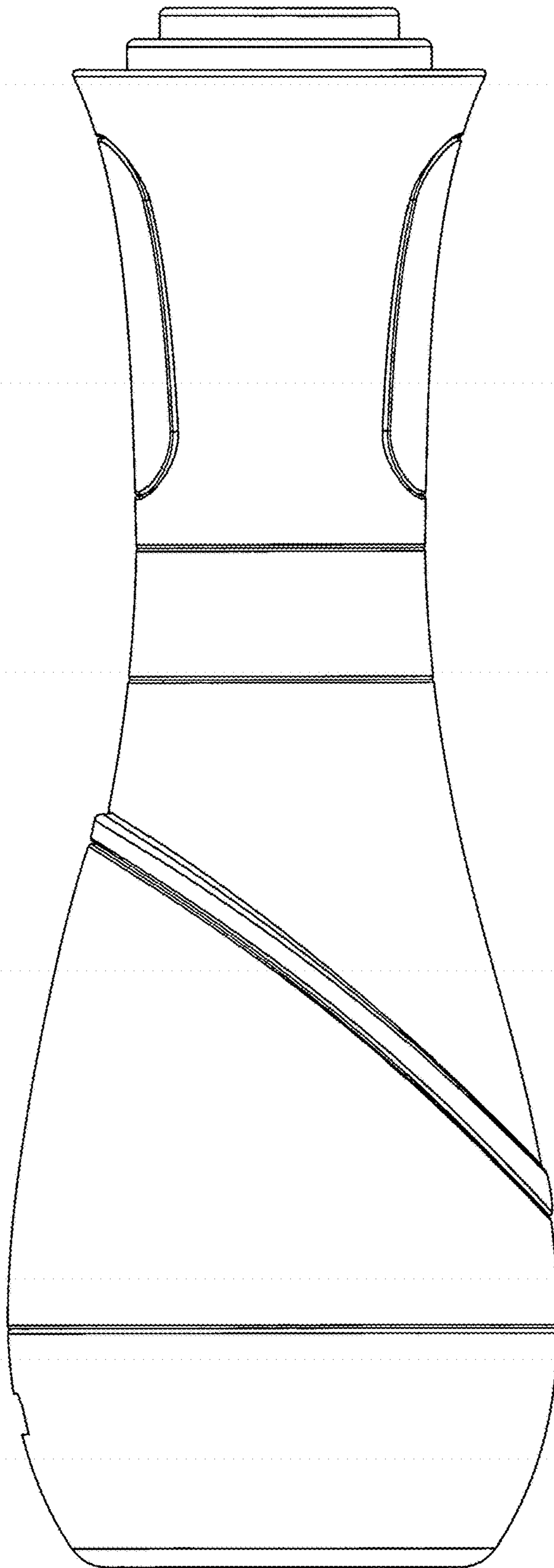


FIG. 4

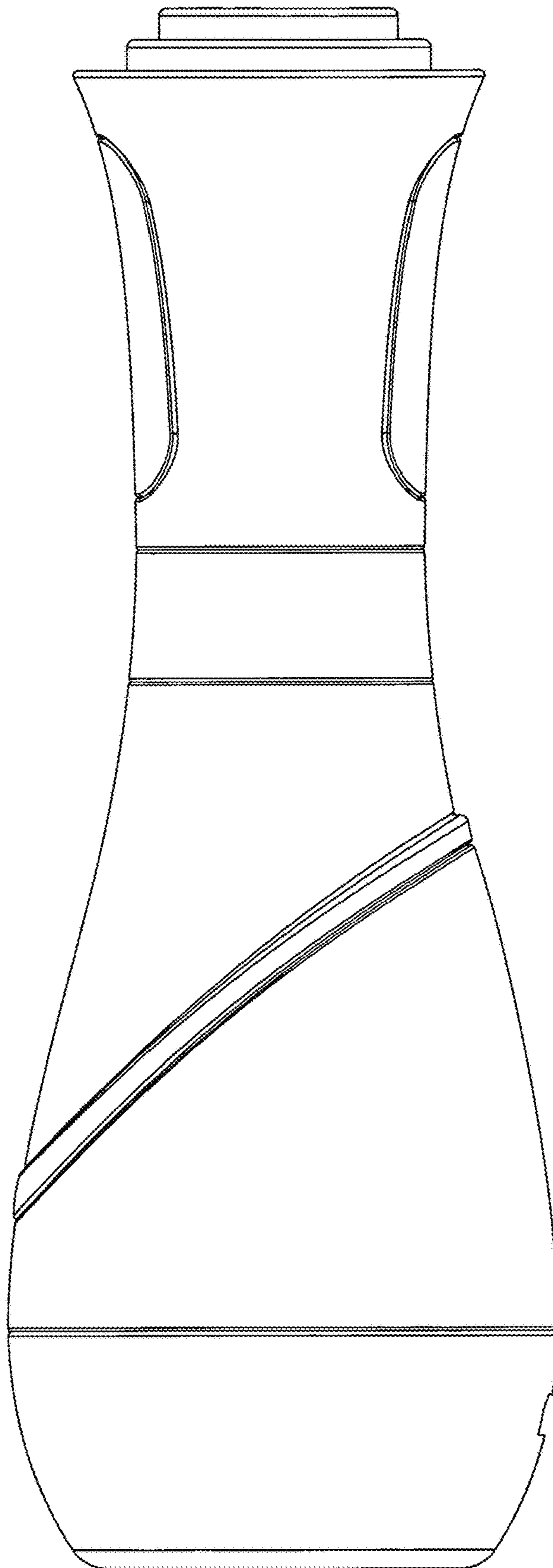


FIG. 5

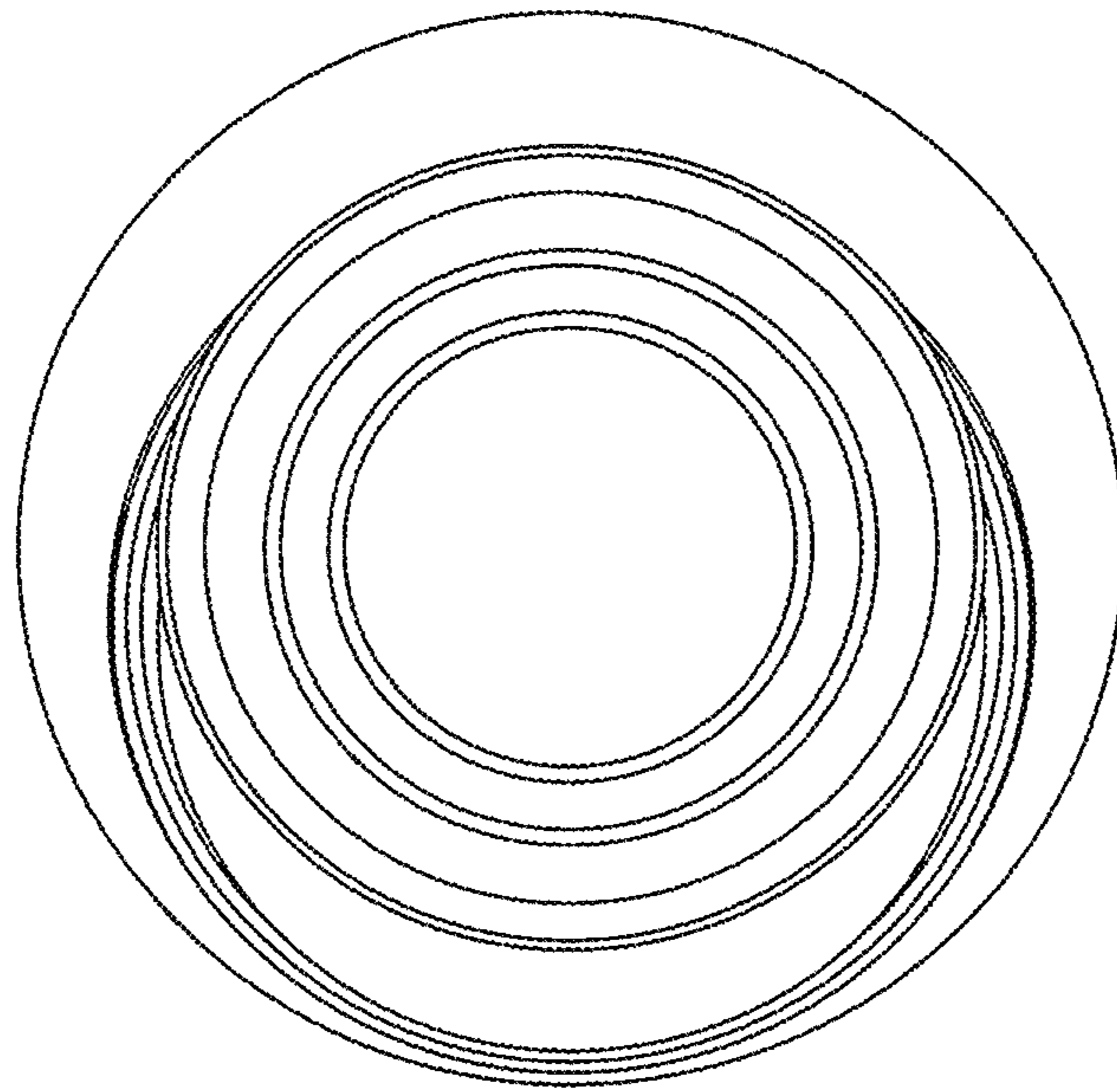


FIG. 6

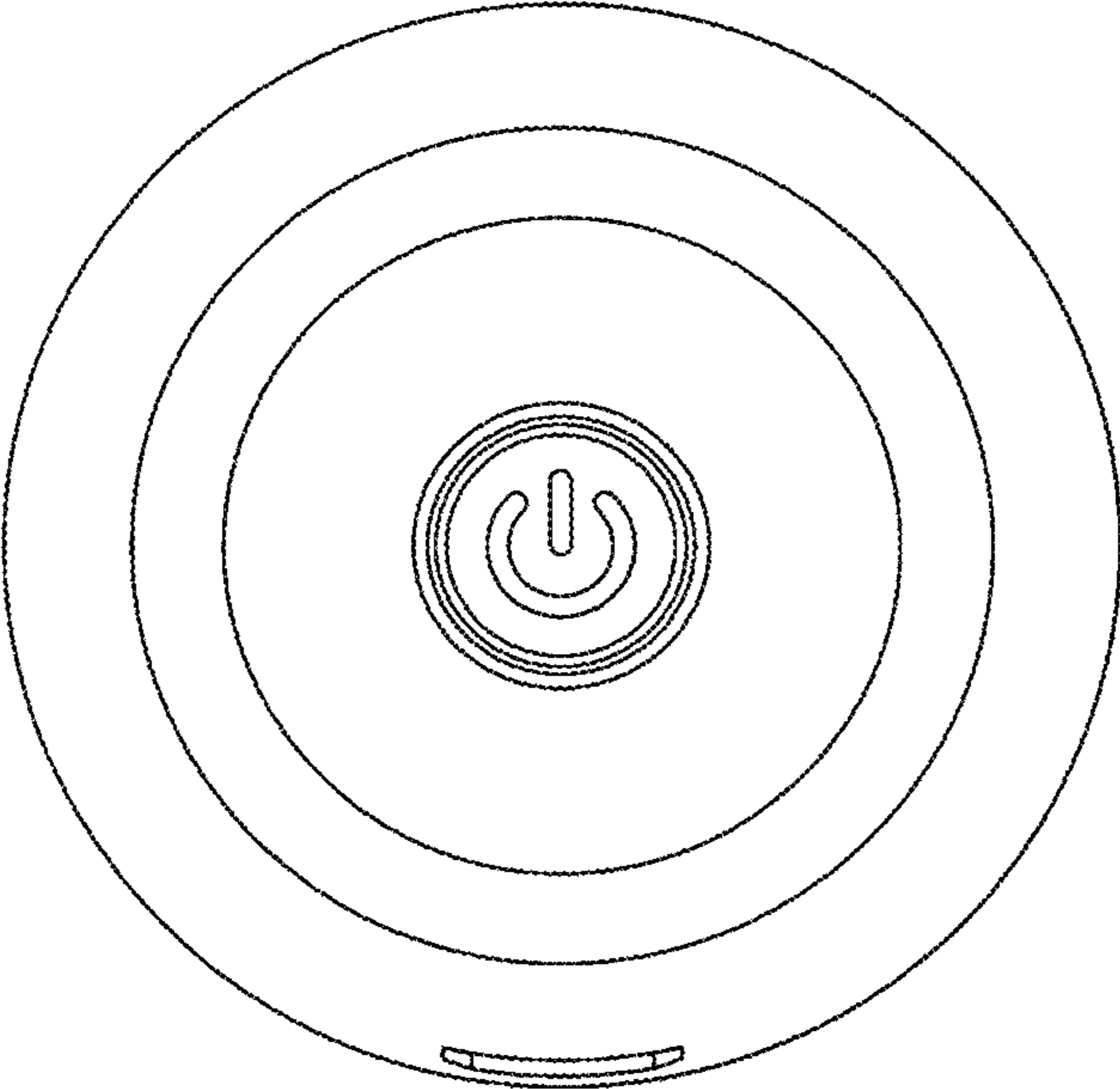


FIG. 7