



US00D871596S

(12) **United States Design Patent** (10) **Patent No.:** **US D871,596 S**
Qiu (45) **Date of Patent:** **** Dec. 31, 2019**

(54) **POSTURE CORRECTION DEVICE**

(71) Applicant: **Hanxiong Qiu**, Meizhou (CN)

(72) Inventor: **Hanxiong Qiu**, Meizhou (CN)

(**) Term: **15 Years**

(21) Appl. No.: **29/705,928**

(22) Filed: **Sep. 17, 2019**

(51) **LOC (12) Cl.** **24-01**

(52) **U.S. Cl.**
USPC **D24/190**

(58) **Field of Classification Search**
USPC D24/188-192
CPC ... A61F 5/3707; B60N 2/4879; B60N 2/4882;
B60N 2/48; A47G 9/1009; A47G 9/1054;
A47G 9/1081

See application file for complete search history.

(56) **References Cited**

U.S. PATENT DOCUMENTS

2,567,601	A *	9/1951	Heinold	A61F 5/11 602/31
D546,107	S *	7/2007	Babcock	D6/601
D635,624	S *	4/2011	Brown	D21/692
D690,020	S *	9/2013	Quimby	D24/191
D698,930	S *	2/2014	Sun	D24/107
D735,870	S	8/2015	Ban		
D743,557	S *	11/2015	Pichette	D24/184
D747,560	S *	1/2016	Daniels	D29/122
D748,277	S *	1/2016	Chen	D24/190
D796,045	S *	8/2017	Henning	D14/344
D817,504	S *	5/2018	Float	D24/191

D818,132	S	5/2018	Hille		
D830,562	S	10/2018	Kim et al.		
D848,626	S *	5/2019	Lavoie	D24/192
2009/0030353	A1 *	1/2009	Bonutti	A61F 5/013 601/5
2009/0204045	A1 *	8/2009	Kim	A61F 5/11 602/31
2011/0152737	A1 *	6/2011	Burke	A61F 5/026 602/19
2015/0133841	A1 *	5/2015	Chen	A61F 5/026 602/19

* cited by examiner

Primary Examiner — Jennifer L Watkins

(74) *Attorney, Agent, or Firm* — HYIP

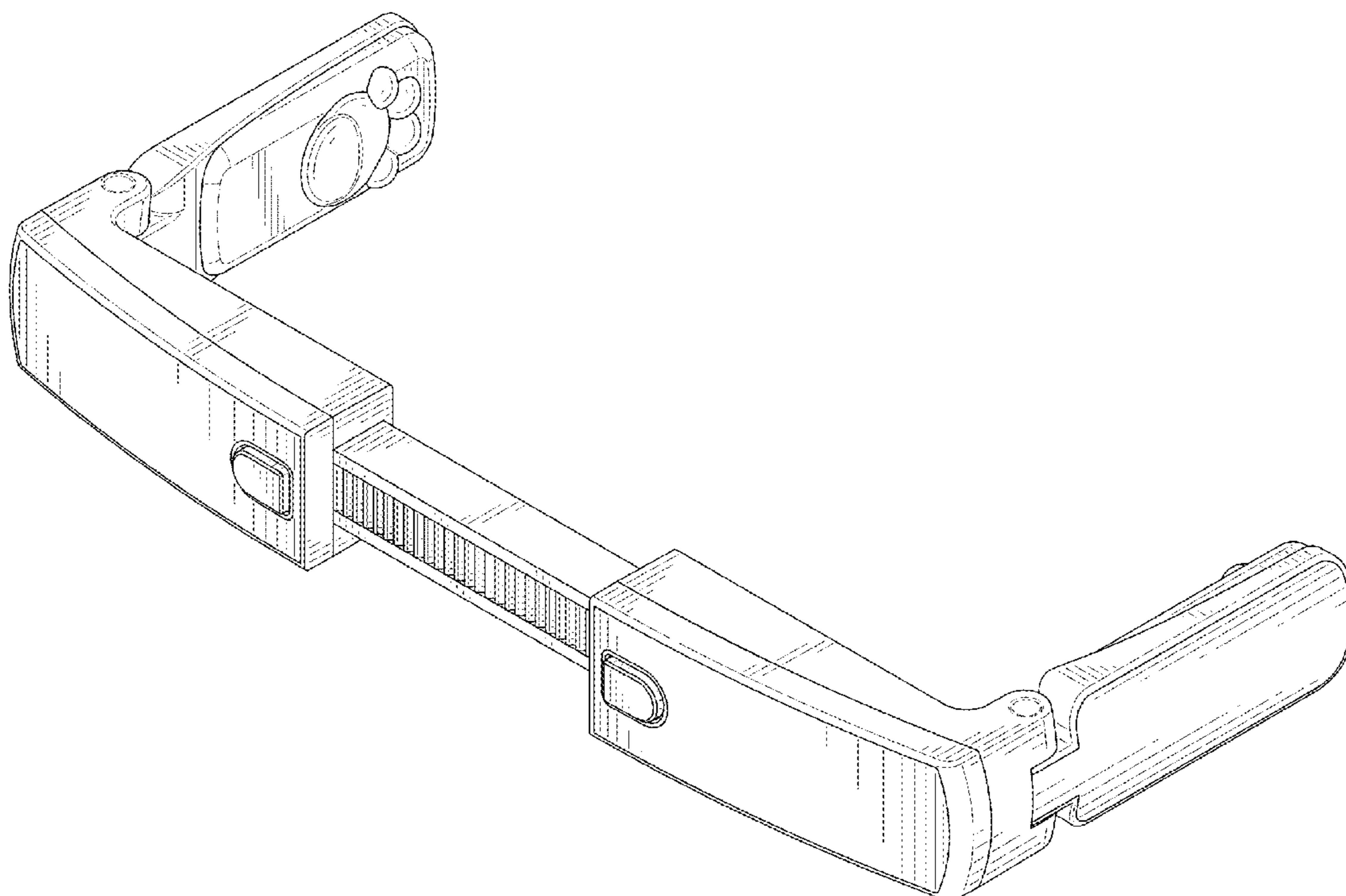
(57) **CLAIM**

The ornamental design for a posture correction device, as shown and described.

DESCRIPTION

FIG. 1 is a perspective view of a posture correction device showing my new design;
FIG. 2 is a front view thereof;
FIG. 3 is a back view thereof;
FIG. 4 is a left side view thereof;
FIG. 5 is a right side view thereof;
FIG. 6 is a top view thereof;
FIG. 7 is a bottom view thereof; and,
FIG. 8 is a perspective view of another state of the posture correction device thereof.
The broken lines shown in the drawings depict portions of the posture correction device in which the design is embodied that form no part of the claimed design.

1 Claim, 8 Drawing Sheets



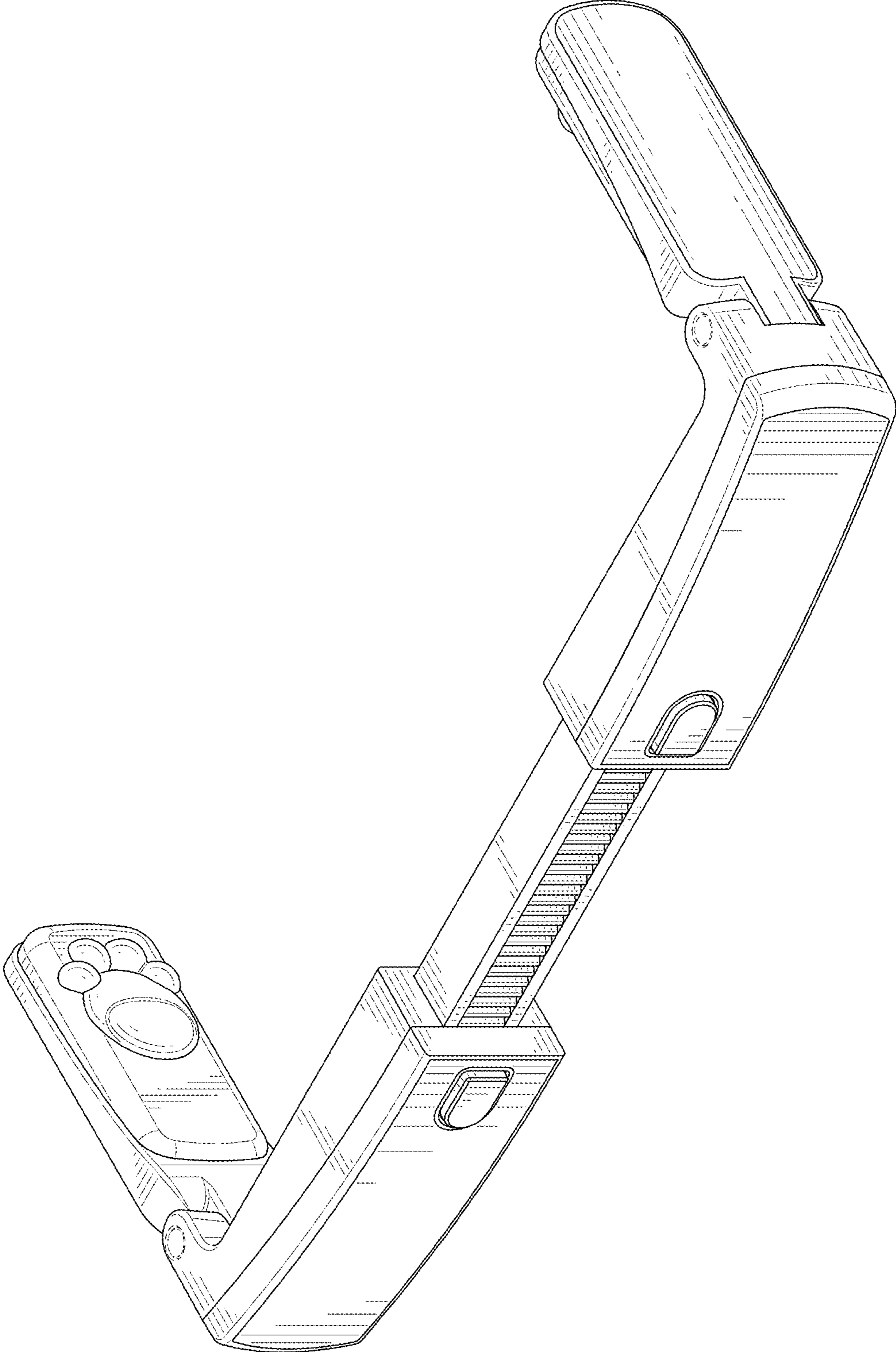


FIG. 1

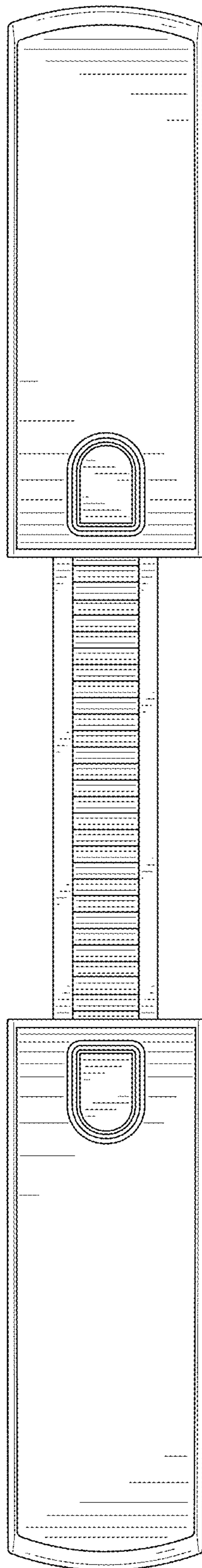


FIG. 2

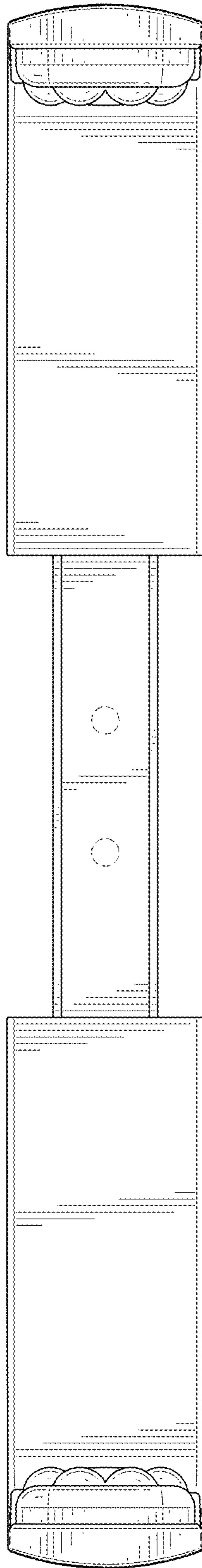


FIG. 3

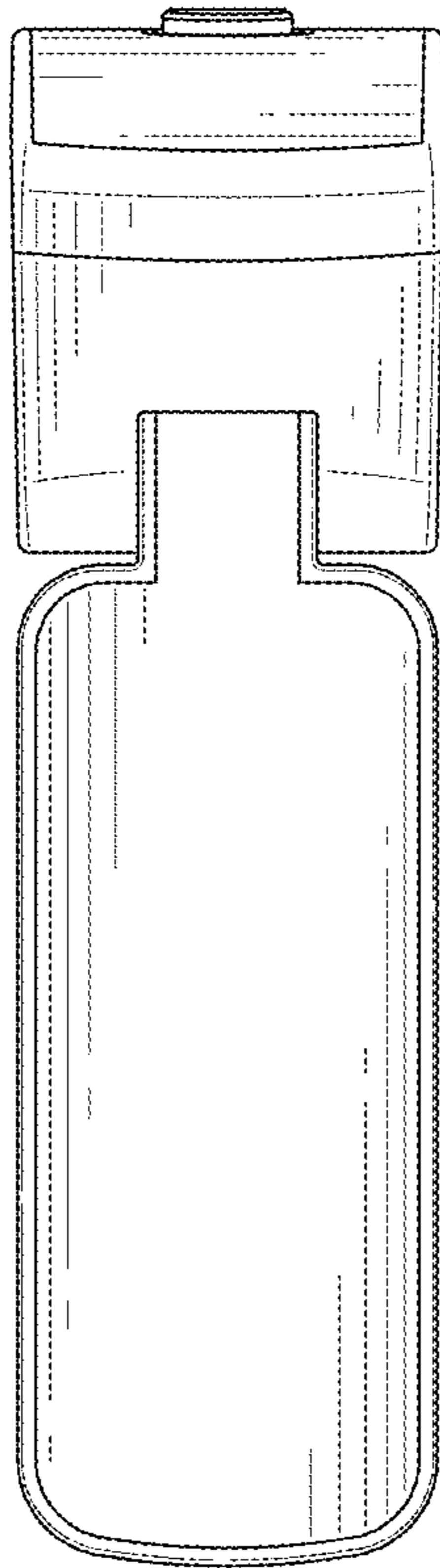


FIG. 4

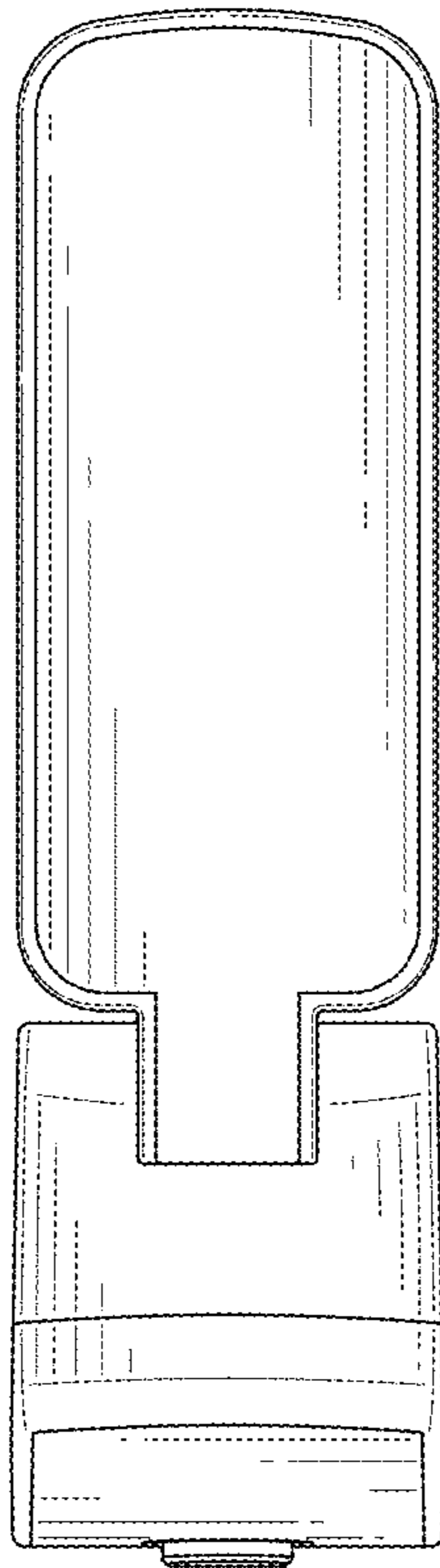


FIG. 5

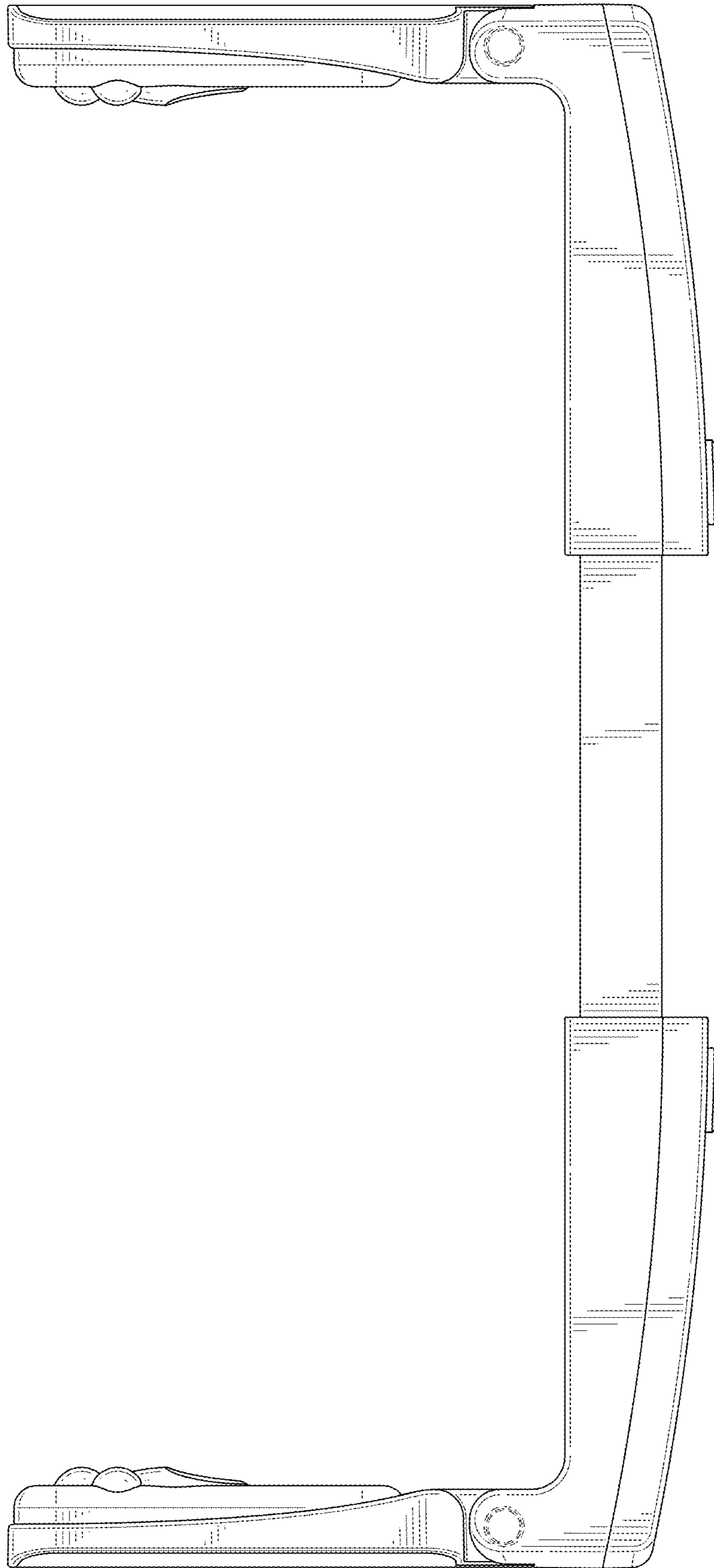


FIG. 6

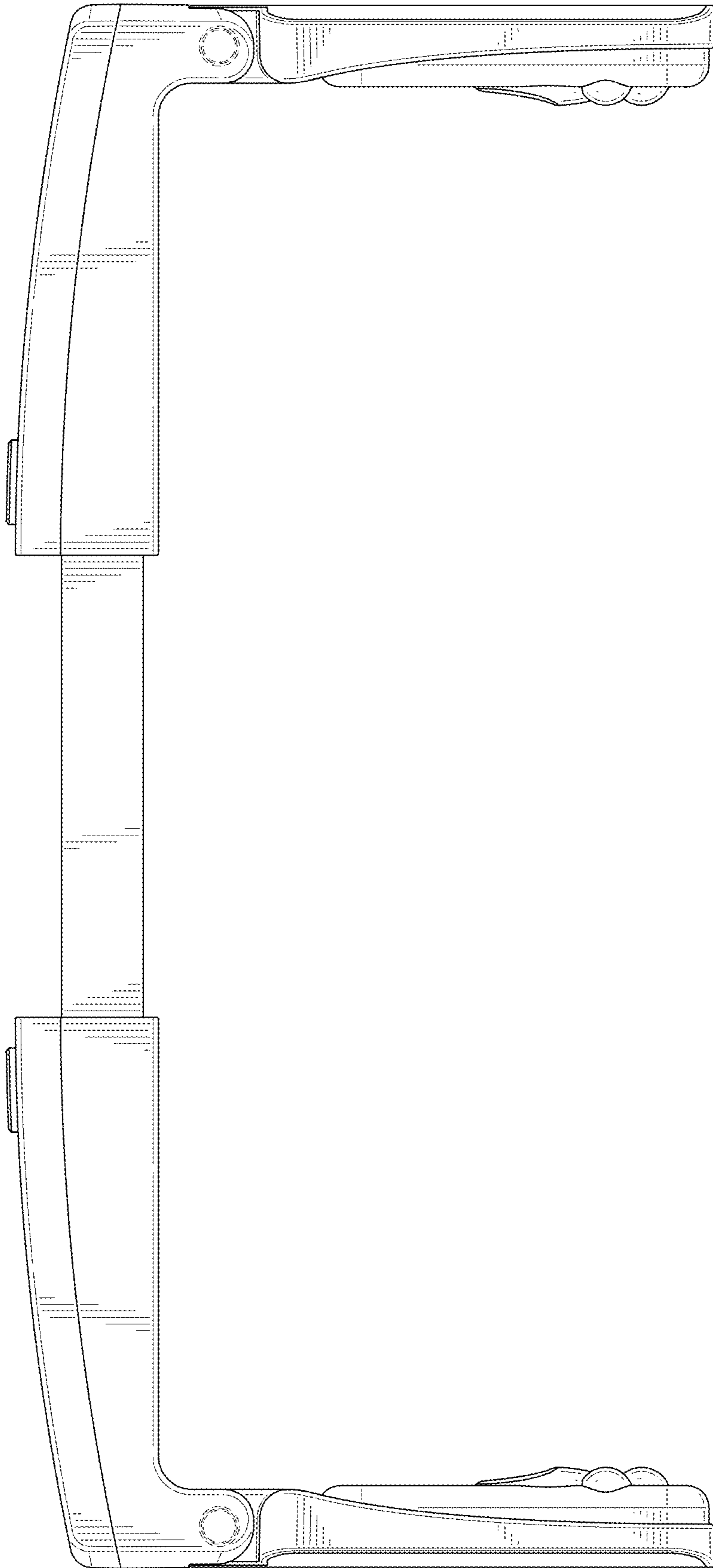


FIG. 7

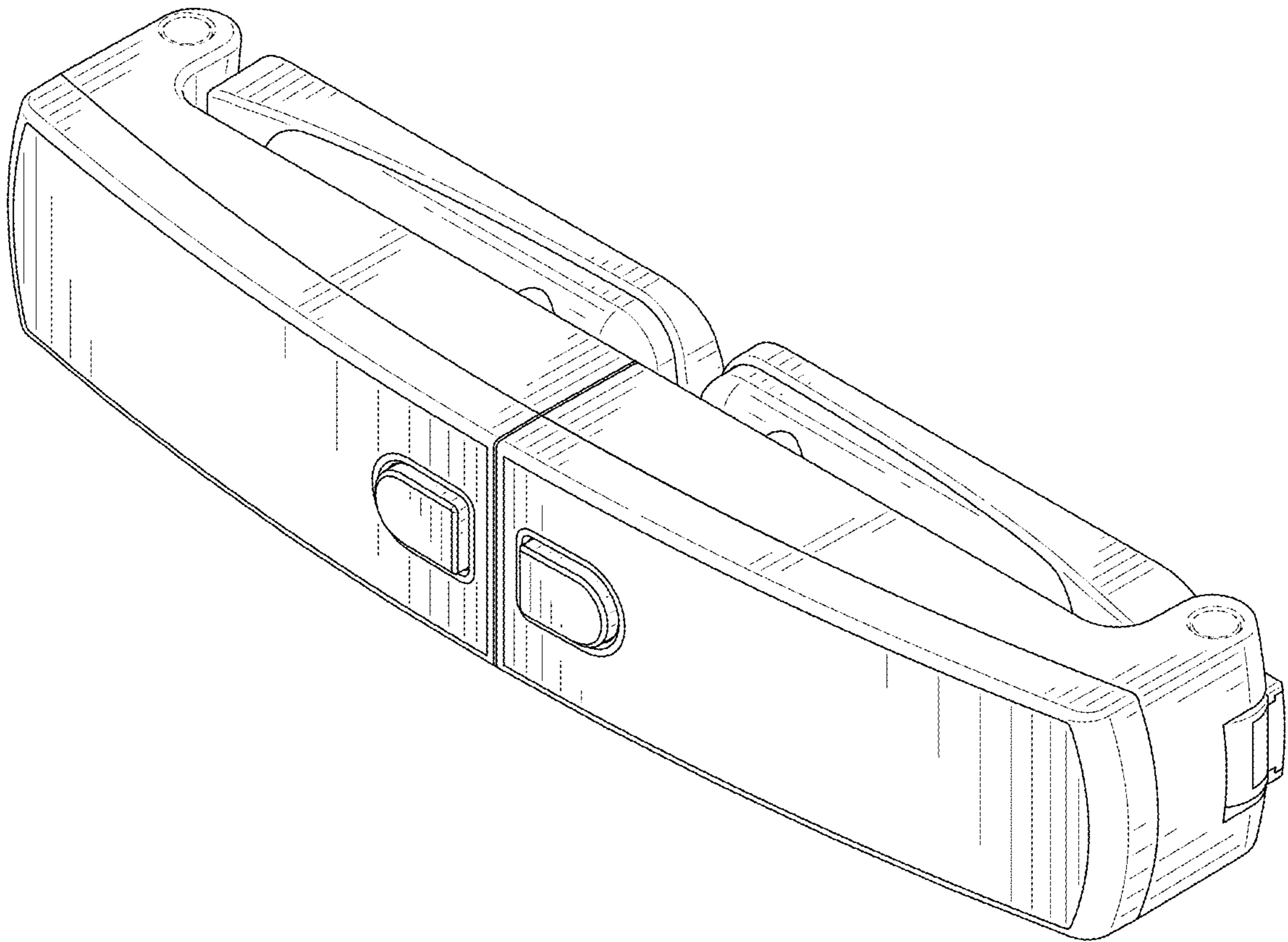


FIG. 8