



US00D871595S

(12) **United States Design Patent**  
**Breuer-Ruesch et al.**

(10) **Patent No.:** **US D871,595 S**

(45) **Date of Patent:** **\*\* Dec. 31, 2019**

(54) **ORTHOSIS**

(71) Applicant: **OTTO BOCK HEALTHCARE PRODUCTS GMBH**, Vienna (AT)

(72) Inventors: **Christian Breuer-Ruesch**, Vienna (AT);  
**Adam Wehsely-Swiczinsky**, Vienna (AT); **Roland Auberger**, Vienna (AT);  
**Thomas Ecker-Wessely**, Eichgraben (AT); **Alexander Noah Spring**, Vienna (AT)

(\*\*) Term: **15 Years**

(21) Appl. No.: **29/629,283**

(22) Filed: **Dec. 12, 2017**

(51) **LOC (12) Cl.** ..... **24-04**

(52) **U.S. Cl.**  
USPC ..... **D24/190**

(58) **Field of Classification Search**  
USPC ..... D24/155, 190-192  
CPC ..... A61F 5/0123; A61F 2005/0167; A61F 5/0125; A61F 2002/704; A61F 2005/0139; A61F 2/68; A61F 2002/7635; A61F 2002/701; A61F 2002/705; A61F 2005/0179; A61F 2002/764; A61F 2/72; A61F 2002/7645; A61F 2/64; A61F 2/80; A61M 1/101; A61M 1/1015; A61M 25/02; A61M 1/1031

See application file for complete search history.

(56) **References Cited**

**U.S. PATENT DOCUMENTS**

D592,749 S \* 5/2009 Muhlenberend ..... D24/155  
D655,817 S \* 3/2012 Schilling ..... D24/190

D658,771 S \* 5/2012 Helm ..... D24/190  
D660,437 S \* 5/2012 Schilling ..... D24/190  
D689,523 S \* 9/2013 Galbraith ..... D15/7  
8,795,212 B2 \* 8/2014 Seligman ..... A61F 5/0123  
602/16  
D726,925 S \* 4/2015 Fraser ..... D24/190  
D730,531 S \* 5/2015 Jung ..... D24/190  
D731,663 S \* 6/2015 Jung ..... D24/190  
D844,794 S \* 4/2019 Mitchell ..... D24/192  
2010/0262052 A1 \* 10/2010 Lunau ..... A61B 5/6828  
602/5  
2010/0262055 A1 \* 10/2010 Schilling ..... A61F 5/0125  
602/16  
2011/0282255 A1 \* 11/2011 Nace ..... A61F 5/0123  
602/16

\* cited by examiner

*Primary Examiner* — Jennifer L Watkins

(74) *Attorney, Agent, or Firm* — Holland & Hart, LLP

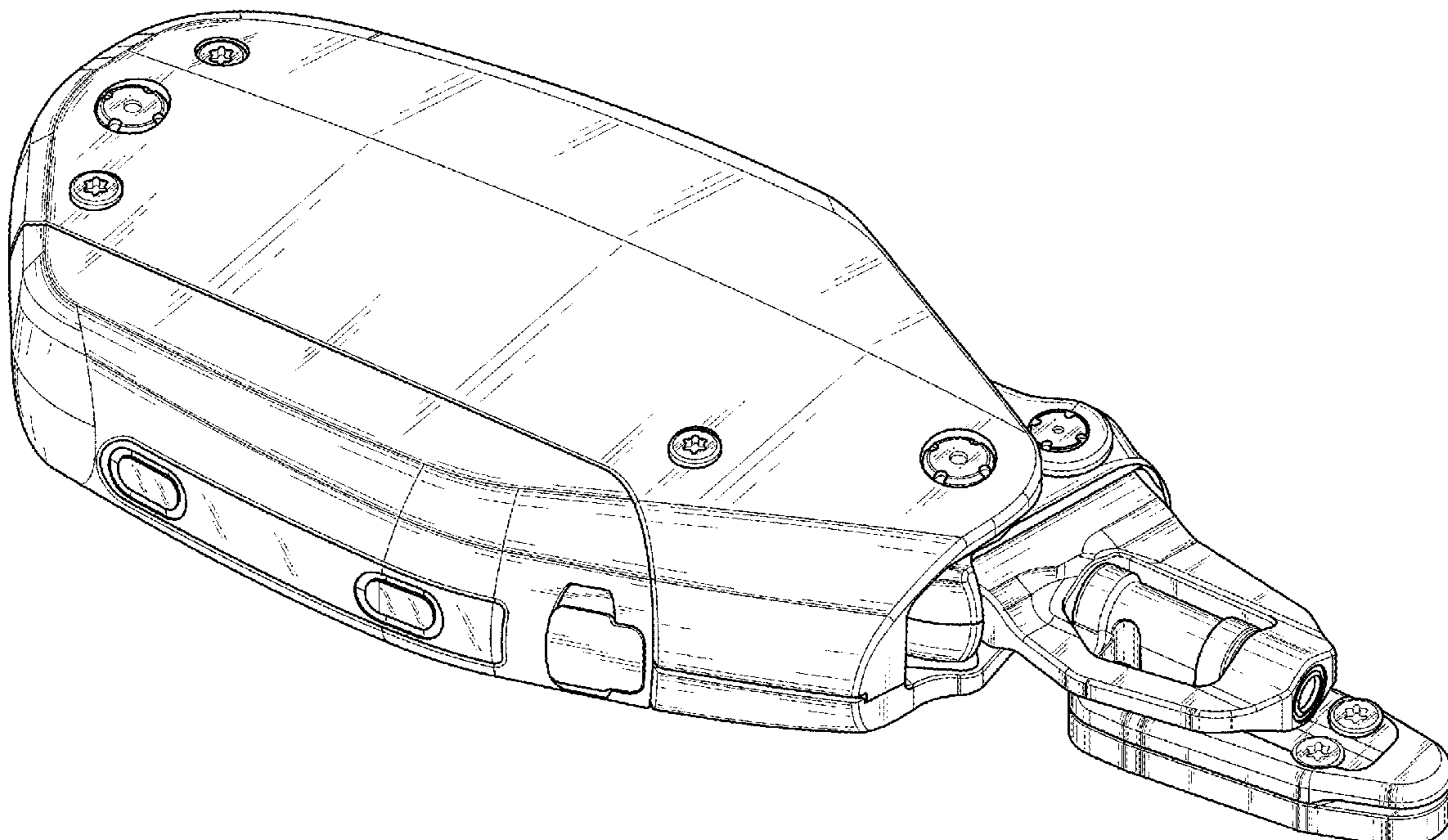
(57) **CLAIM**

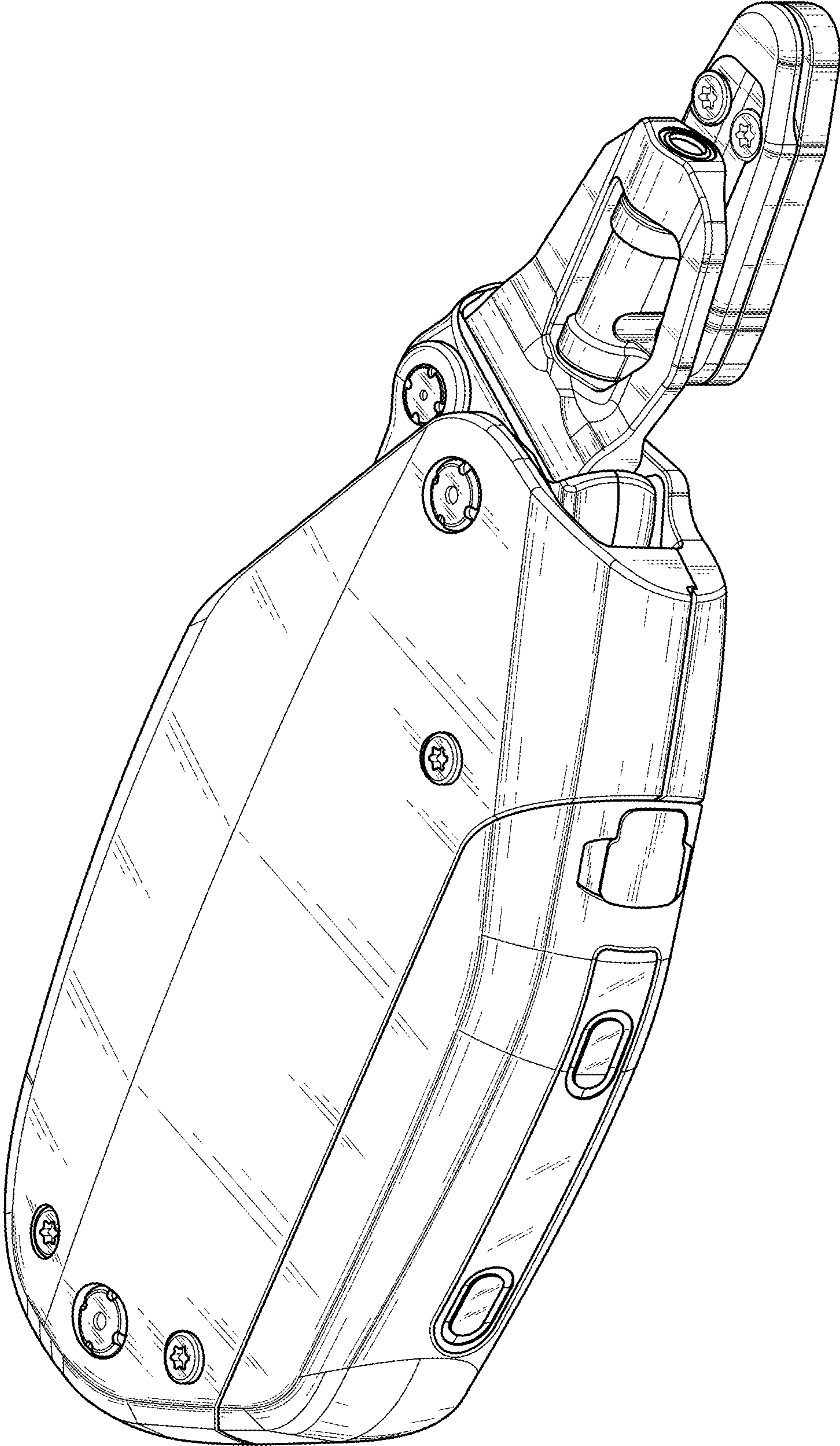
The ornamental design for an orthosis, as shown and described.

**DESCRIPTION**

FIG. 1 is a perspective view of an orthosis according to the present invention;  
FIG. 2 is a right side view thereof;  
FIG. 3 is a left side view thereof;  
FIG. 4 is a front view thereof;  
FIG. 5 is a rear view thereof;  
FIG. 6 is a bottom view thereof; and,  
FIG. 7 is a top view thereof.  
The broken lines in the drawing views are included for the purpose of illustrating environment and form no part of the claimed design.

**1 Claim, 6 Drawing Sheets**





**FIG. 1**



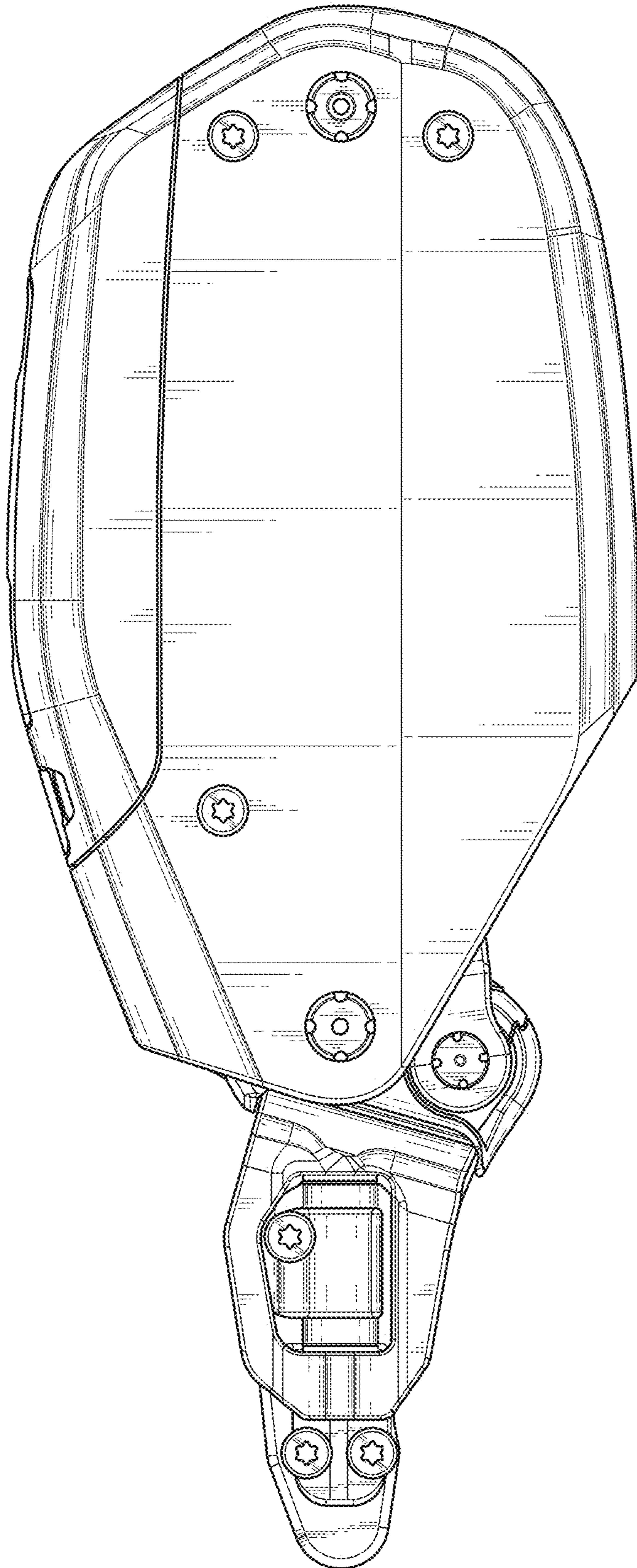


FIG. 2

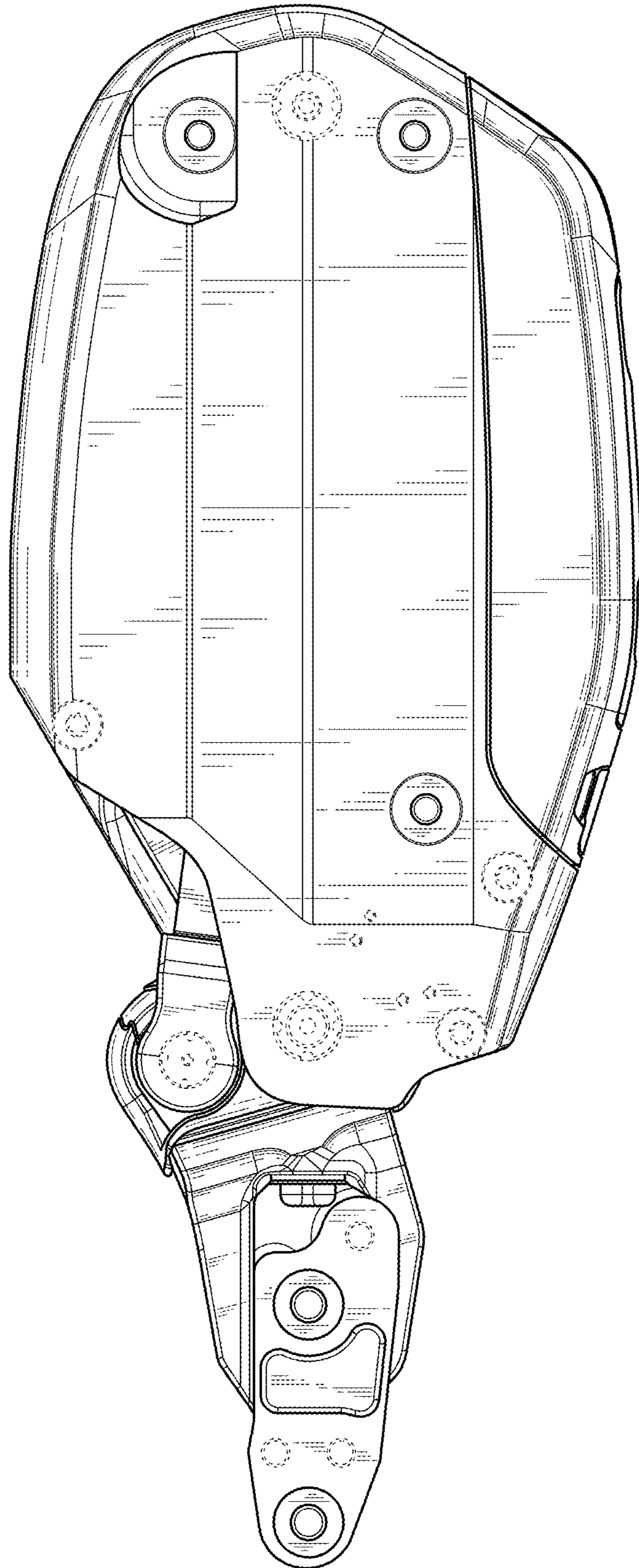


FIG. 3

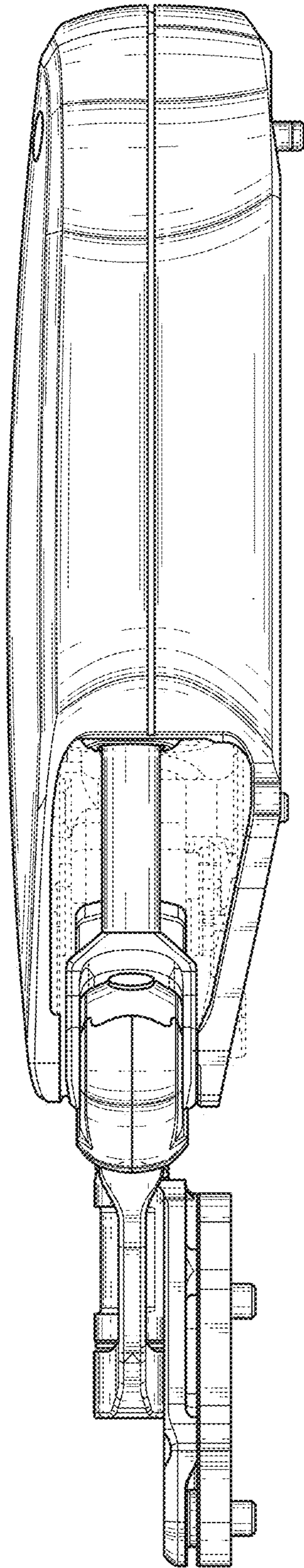


FIG. 4



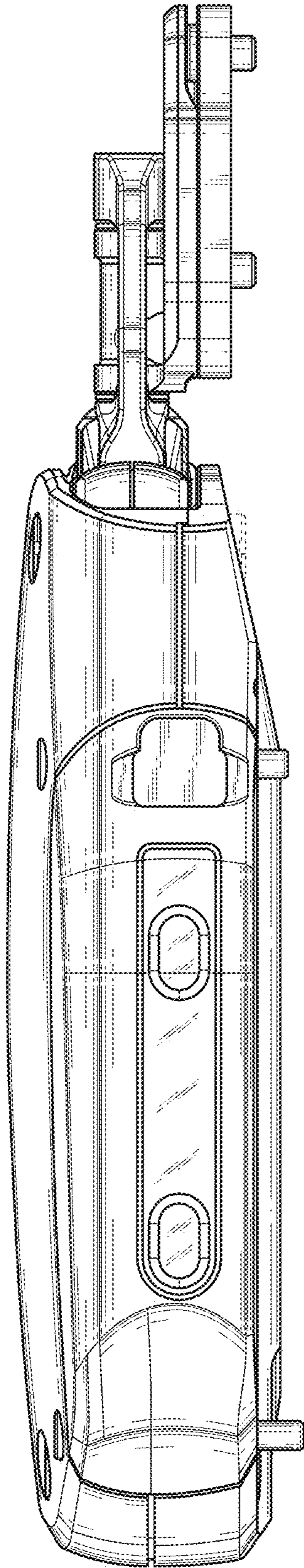
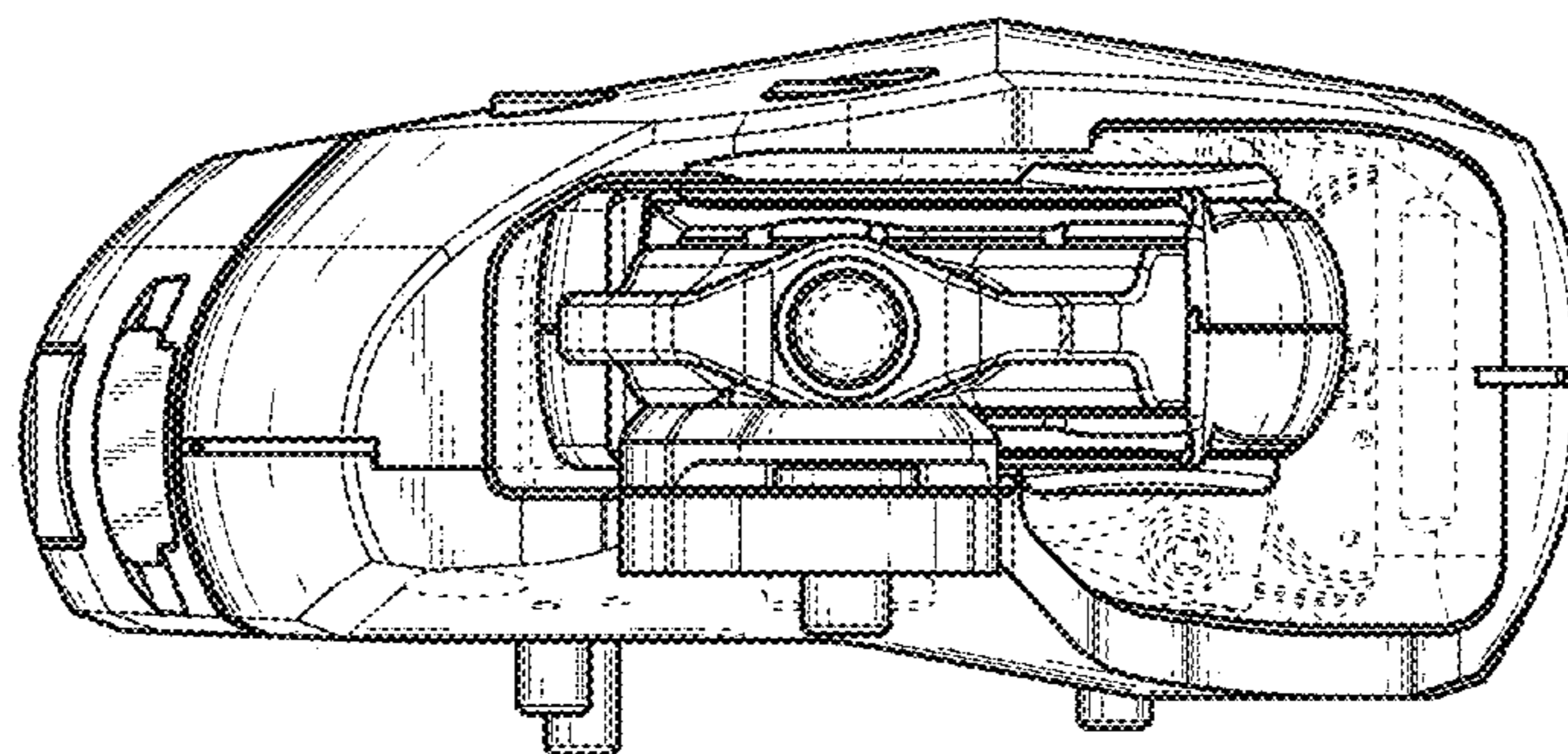
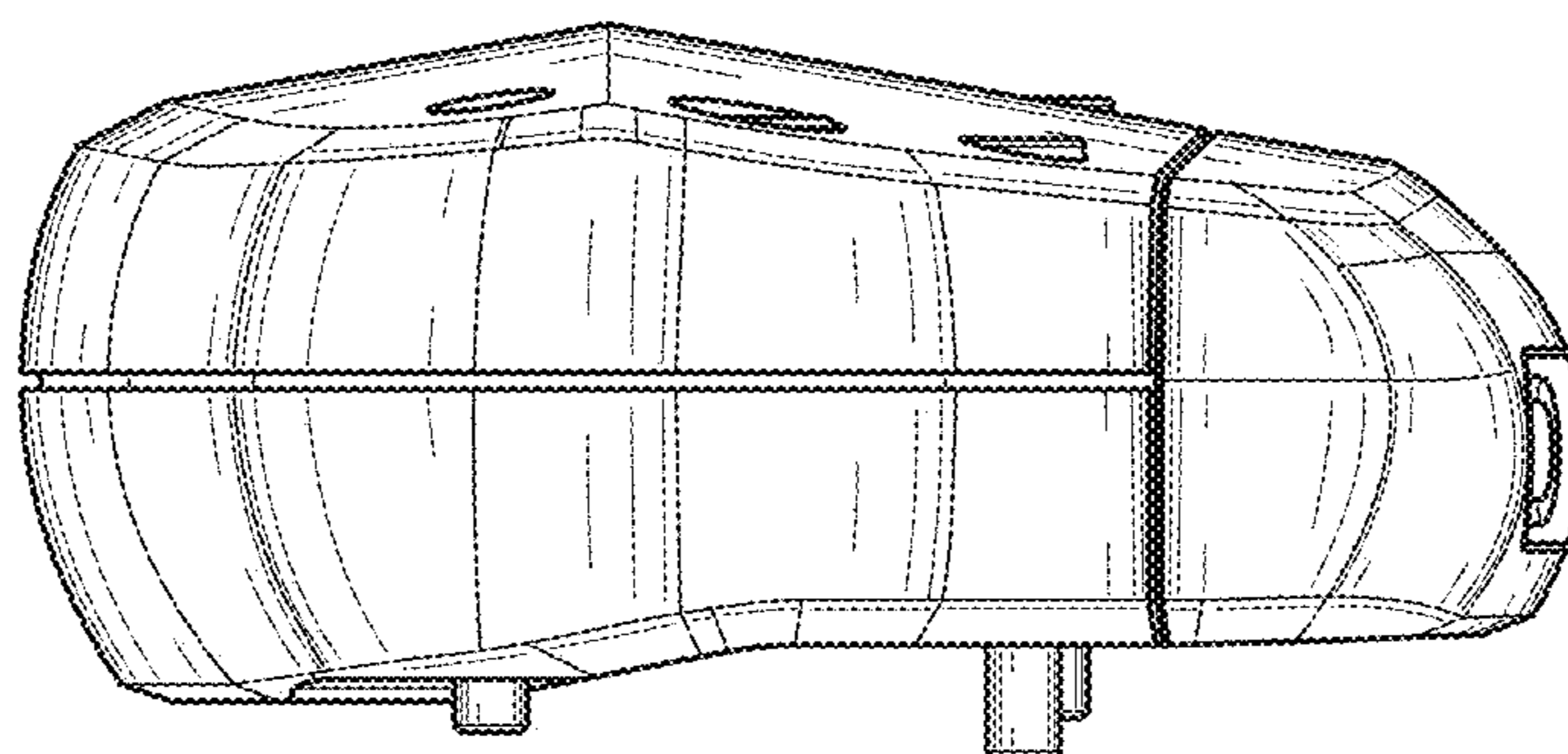


FIG. 5



**FIG. 6**



**FIG. 7**