



US00D871593S

(12) **United States Design Patent** (10) **Patent No.:** **US D871,593 S**
Rossouw (45) **Date of Patent:** **** Dec. 31, 2019**

(54) **ORTHOTIC SUPPORT**

(71) Applicant: **Medicinae (Pty) Ltd**, Pretoria (ZA)

(72) Inventor: **Rachel Cornelia Rossouw**, Durban (ZA)

(73) Assignee: **MEDICINAE (PTY) LTD**, Pretoria (ZA)

(**) Term: **15 Years**

(21) Appl. No.: **29/614,156**

(22) Filed: **Aug. 16, 2017**

Related U.S. Application Data

(63) Continuation of application No. 29/532,081, filed on Jul. 1, 2015, now Pat. No. Des. 799,052, which is a continuation of application No. 29/486,263, filed on Mar. 27, 2014, now Pat. No. Des. 733,897.

(51) **LOC (12) Cl.** **24-01**

(52) **U.S. Cl.**
USPC **D24/190**

(58) **Field of Classification Search**
USPC D24/183, 184, 190; D6/601
CPC A47G 9/10; A47C 20/021; A47C 20/023;
A47C 16/00; A47C 20/026; A47C
20/027; A61G 7/0755; A61G 13/121;
A61G 7/075; A61G 13/1235
See application file for complete search history.

(56) **References Cited**

U.S. PATENT DOCUMENTS

2,351,849 A * 6/1944 Wells A45D 44/10
4/520
D212,085 S 8/1968 Fulkerson et al.
D254,029 S 1/1980 Barbagallo
4,270,235 A 6/1981 Gutmann
D321,562 S 11/1991 Ljungvall

(Continued)

OTHER PUBLICATIONS

BoneFoam—Edema Reduction Leg Elevator [online] [retrieved Sep. 22, 2017]. Retrieved from the Internet: <URL:http://www.bonefoam.com/product/post-op/edema-reduction-leg-elevator/>. 2 pages.

(Continued)

Primary Examiner — Jennifer L Watkins

(74) *Attorney, Agent, or Firm* — Alston & Bird LLP

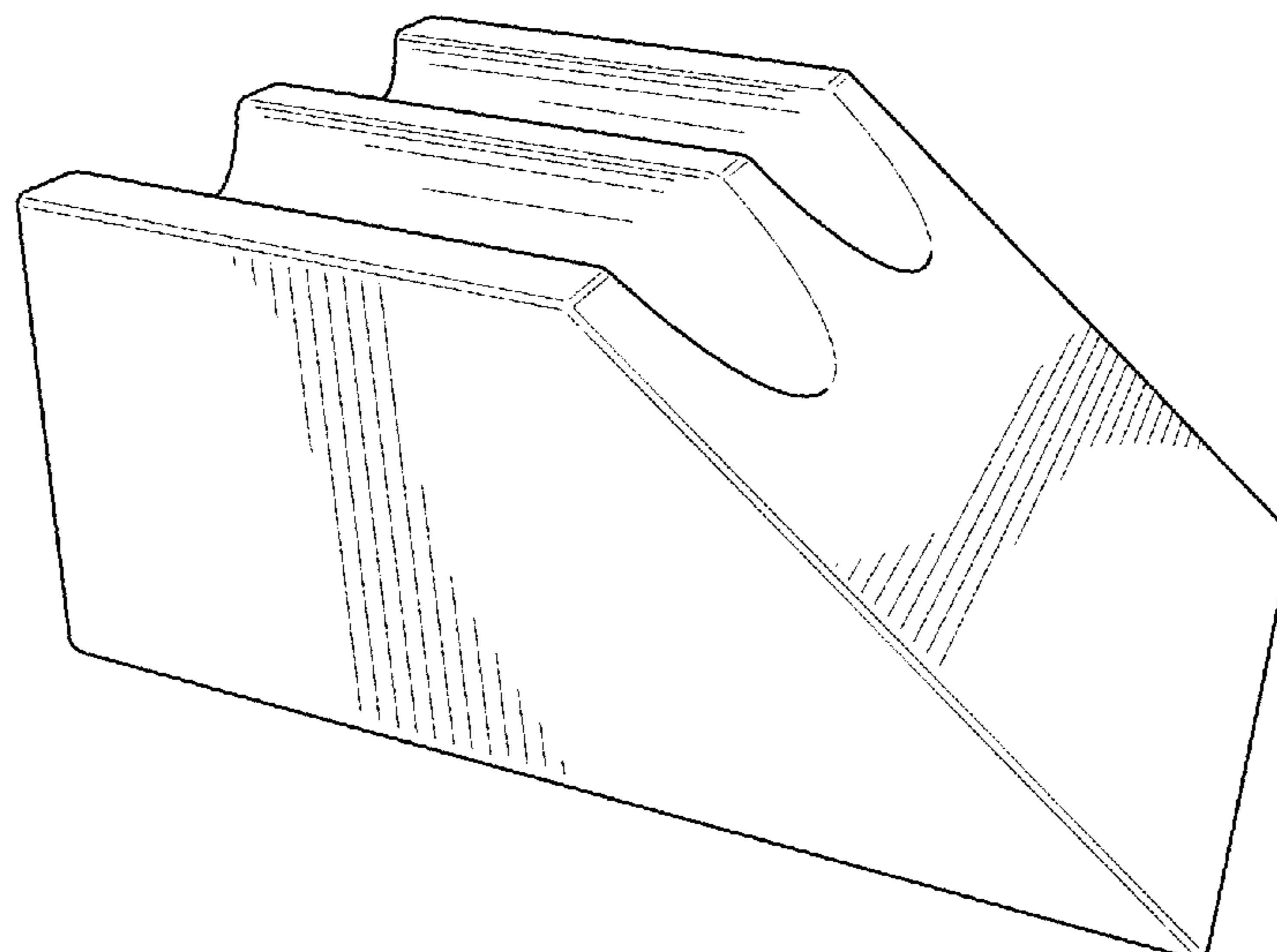
(57) **CLAIM**

I claim the ornamental design for an orthotic support, as shown and described.

DESCRIPTION

FIG. 1 is a perspective view of an orthotic support showing my new design from the top, front, and right side;
FIG. 2 is another perspective view thereof;
FIG. 3 is a top, front, left side perspective view thereof;
FIG. 4 is an enlarged front perspective view thereof;
FIG. 5 is an enlarged rear perspective view thereof;
FIG. 6 is a top, front, right side perspective view thereof, shown in a situation of use;
FIG. 7 is a front elevation view thereof;
FIG. 8 is a rear elevation view thereof;
FIG. 9 is a right side elevation view thereof, the left side being a mirror image;
FIG. 10 is a top plan view thereof; and,
FIG. 11 is a bottom plan view thereof.
The broken lines in FIGS. 5, 8, and 11 adjacent shaded areas represent unclaimed features of the orthotic support and bounds of the claimed design and form no part of the claimed design. All other broken lines in FIGS. 5, 8, and 11 represent unclaimed features of the orthotic support and form no part of the claimed design. The broken lines in FIG. 6 showing a human form represent environment and form no part of the claimed design.

1 Claim, 8 Drawing Sheets



(56)

References Cited

U.S. PATENT DOCUMENTS

D345,797 S 4/1994 Gardner
 D358,957 S 6/1995 Propp
 D359,804 S 6/1995 Carter
 D362,072 S 9/1995 Sternberg
 D386,643 S * 11/1997 Farrell D6/596
 D387,167 S 12/1997 Klein
 D413,982 S 9/1999 Swedberg et al.
 D415,281 S 10/1999 Swedberg et al.
 D422,362 S 4/2000 Ames
 D424,698 S 5/2000 Ames
 D426,307 S 6/2000 Swedberg et al.
 D447,568 S 9/2001 Hall et al.
 6,553,995 B1 4/2003 Cole et al.
 7,017,215 B1 3/2006 Singer et al.
 7,441,293 B1 10/2008 Singer et al.
 D598,106 S 8/2009 Goumas
 D601,261 S 9/2009 Levan
 7,694,369 B2 4/2010 Hinders et al.
 D625,421 S 10/2010 Sharps et al.
 D642,280 S 7/2011 Goumas
 D642,694 S * 8/2011 Sharps D24/183
 8,273,041 B2 9/2012 Goumas
 D670,941 S 11/2012 Vernon
 D673,684 S 1/2013 Piermarini
 D707,358 S * 6/2014 Mantilla D24/184
 D708,752 S 7/2014 Oberst
 D728,799 S 5/2015 Ravikumar et al.
 D731,817 S 6/2015 Rogers
 D732,174 S * 6/2015 Johnson D24/184
 D733,897 S 7/2015 Rossouw
 D736,391 S * 8/2015 Johnson D24/184
 9,107,801 B2 * 8/2015 Knight A61H 37/00
 D759,825 S 6/2016 Johnson et al.
 9,474,672 B2 10/2016 Robran et al.
 D805,206 S * 12/2017 Hill D24/184
 D808,532 S * 1/2018 Richey D24/183
 D813,398 S * 3/2018 Barber D24/183

D816,855 S * 5/2018 Neseem D24/190
 D833,628 S * 11/2018 Davis D24/190
 D836,784 S * 12/2018 Okamoto D24/190
 2003/0014820 A1 1/2003 Fuhriman
 2004/0123390 A1 * 7/2004 Takizawa A47C 20/021
 5/630
 2006/0288486 A1 * 12/2006 Kidwell A47C 1/14
 5/632
 2008/0282474 A1 * 11/2008 Hsin A47G 9/10
 5/640
 2009/0119845 A1 * 5/2009 Bastien A47C 16/00
 5/646
 2012/0012118 A1 * 1/2012 Ponsi A61F 5/0111
 128/845
 2013/0211425 A1 8/2013 Parsell et al.
 2013/0319426 A1 * 12/2013 Castle A61F 5/30
 128/845

OTHER PUBLICATIONS

BoneFoam—Erle [online] [retrieved Sep. 22, 2017]. Retrieved from the Internet: <URL:https://www.bonefoam.com/erle-2/>. 2 pages.
 BoneFoam—Erle Plus [online] [retrieved Sep. 22, 2017]. Retrieved from the Internet: <URL:https://www.bonefoam.com/erle-plus/>. 2 pages.
 BoneFoam—Erle Twin [online] [retrieved Sep. 22, 2017]. Retrieved from the Internet: <URL:https://www.bonefoam.com/erle-twin/>. 2 pages.
 BoneFoam—Extremity Holder [online] [retrieved Sep. 22, 2017]. Retrieved from the Internet: <URL:https://www.bonefoam.com/product/other/extremity-holder-positioner/>. 2 pages.
 BoneFoam—Stable Post-Op Leg Elevator [online] [retrieved Sep. 22, 2017]. Retrieved from the Internet: <URL:https://www.bonefoam.com/erle/>. 1 page.
 Bone Foam Product Catalog [online] [retrieved Sep. 22, 2017]. Retrieved from the Internet: <URL:https://www.bonefoam.com/wp-content/uploads/2017/01/Bone-Foam-Catalog-9.29.16.pdf.> 24 pages.

* cited by examiner

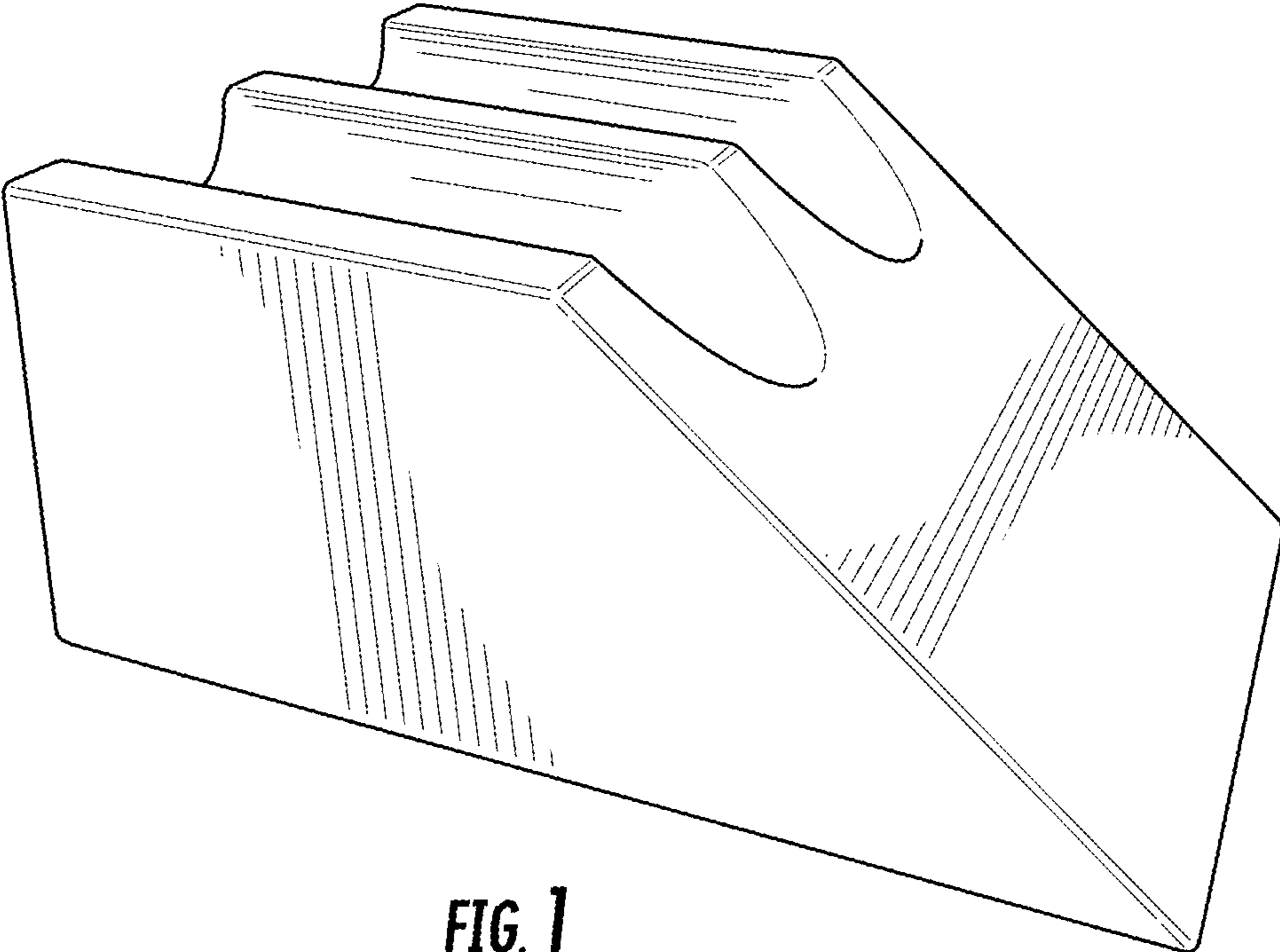


FIG. 1

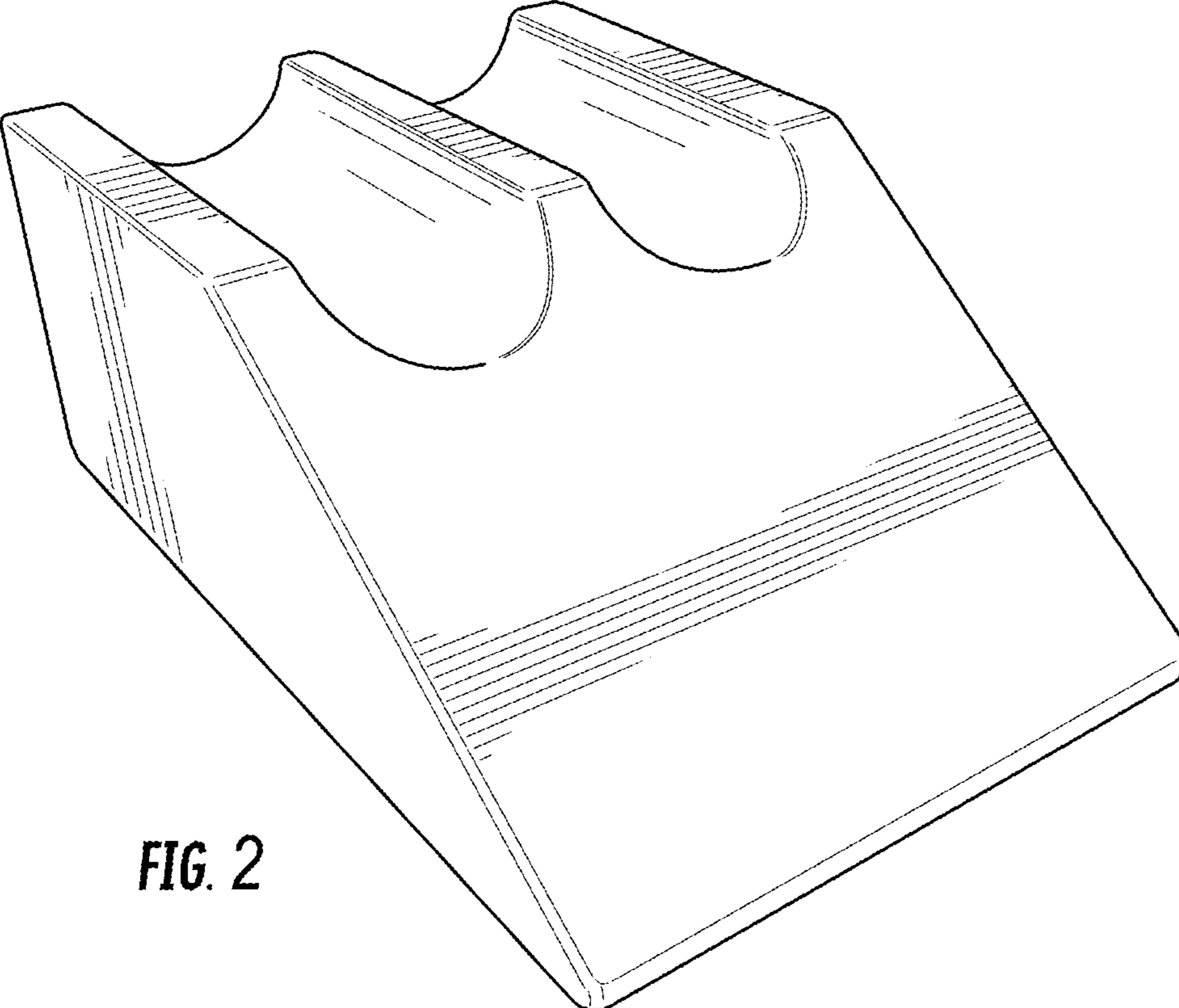


FIG. 2

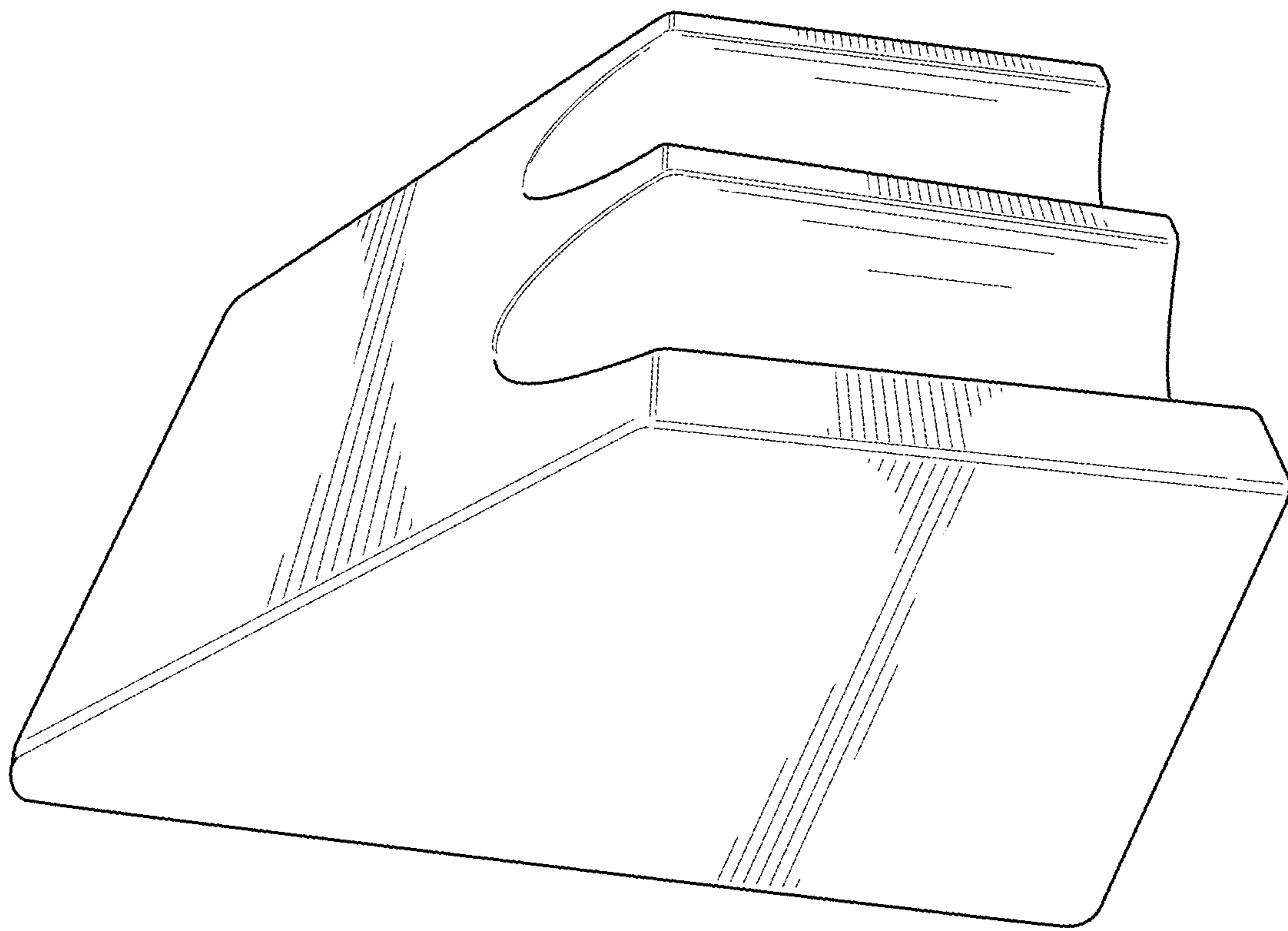


FIG. 3

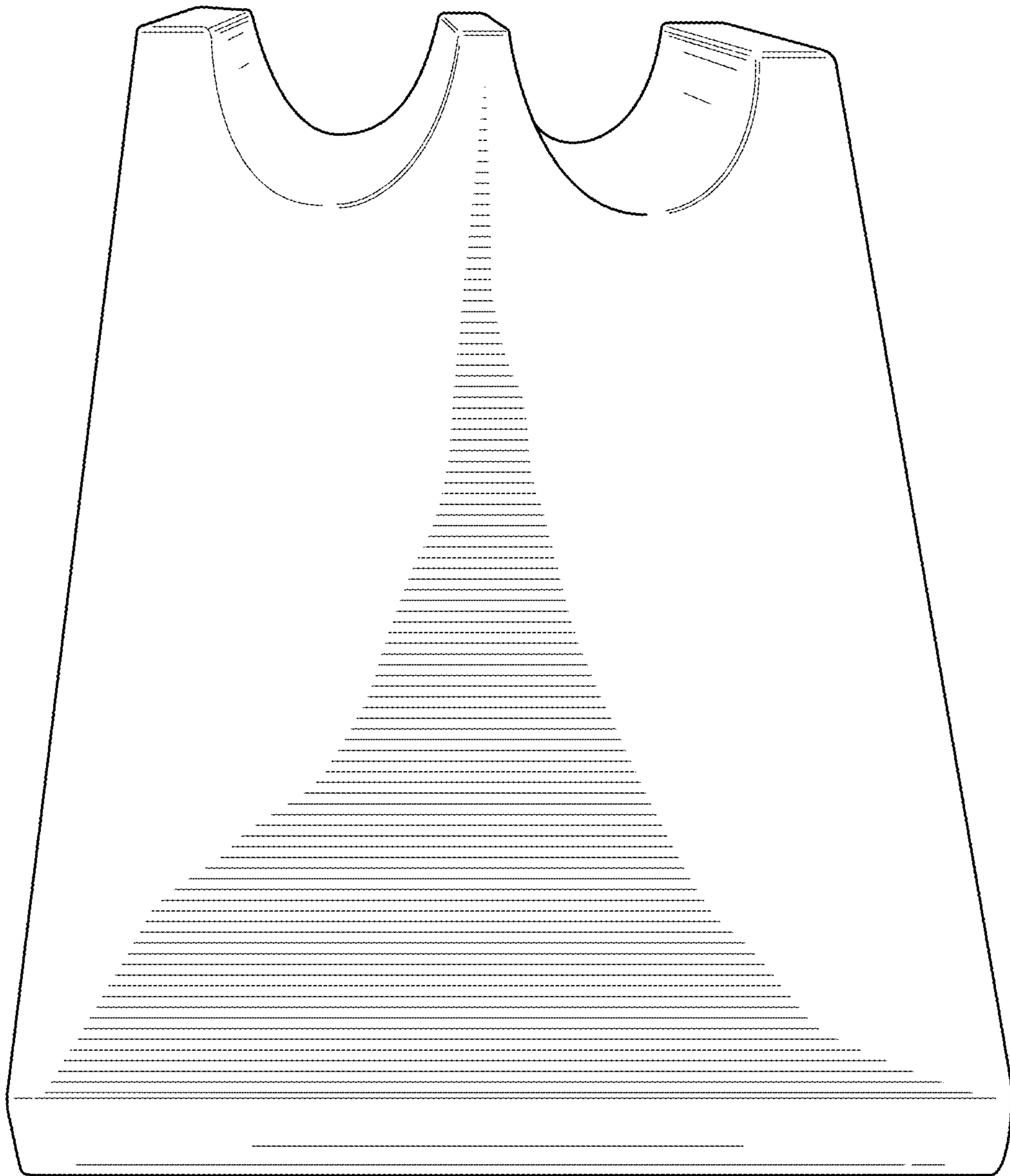


FIG. 4

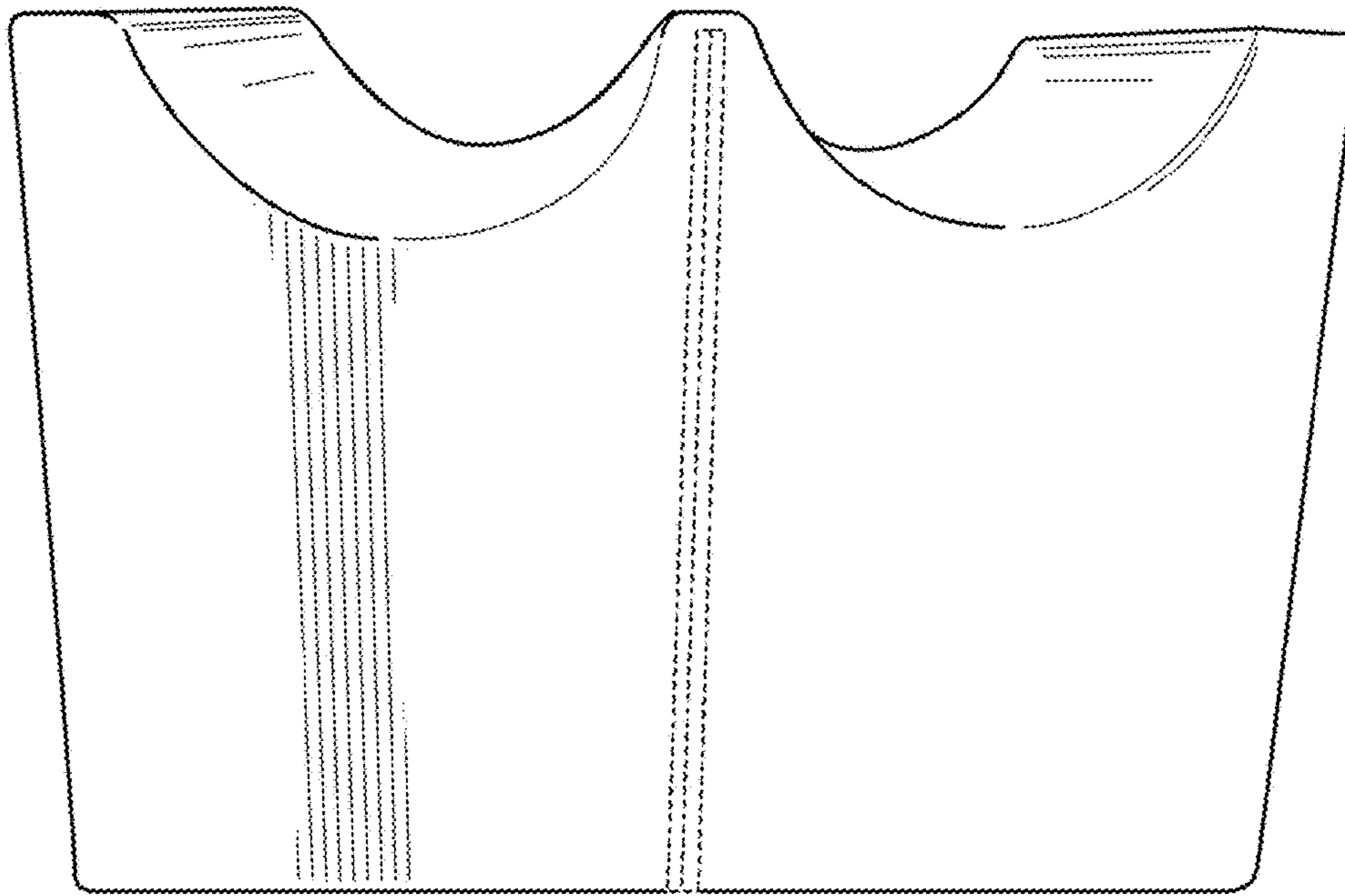


FIG. 5

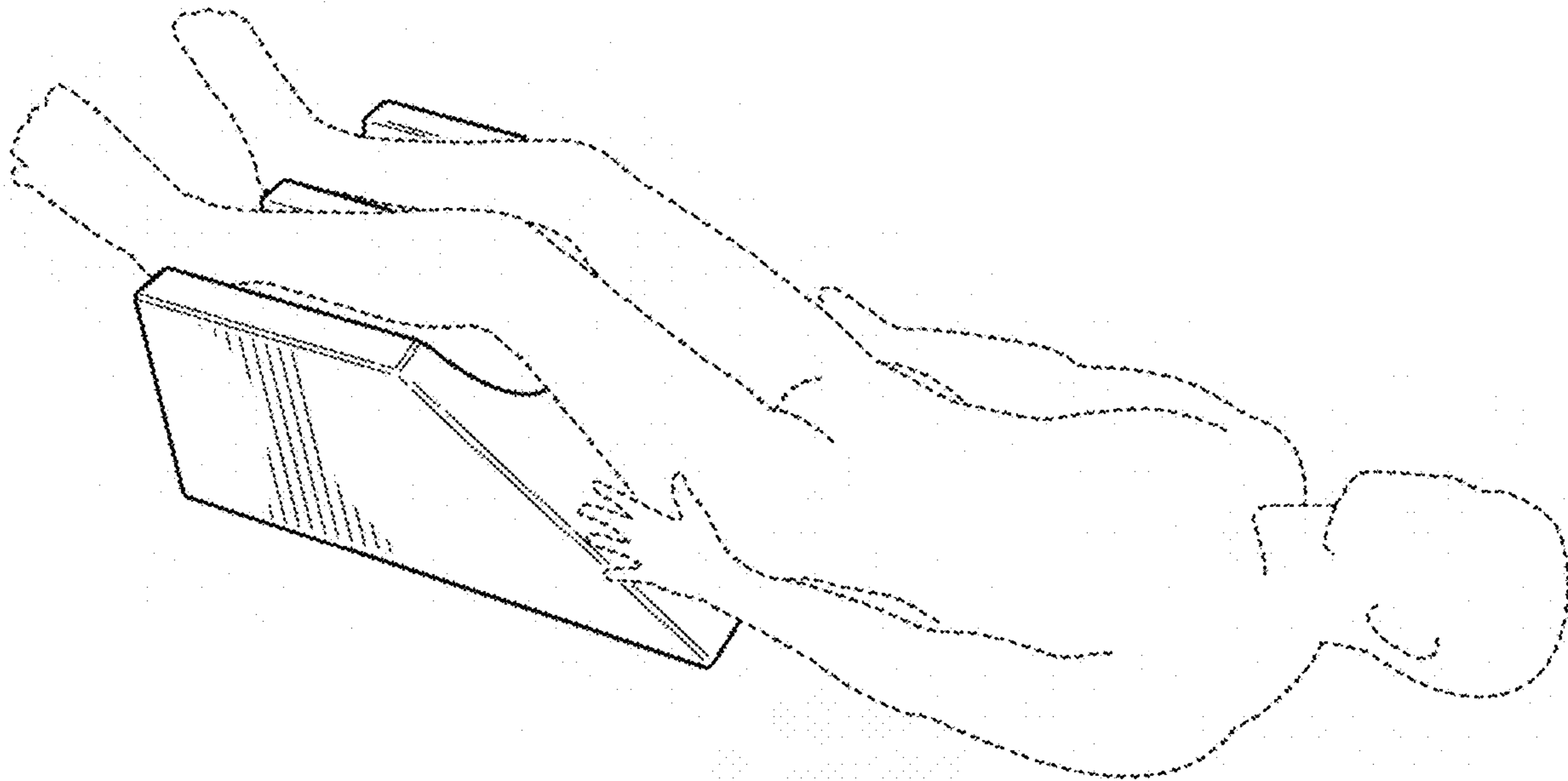


FIG. 6

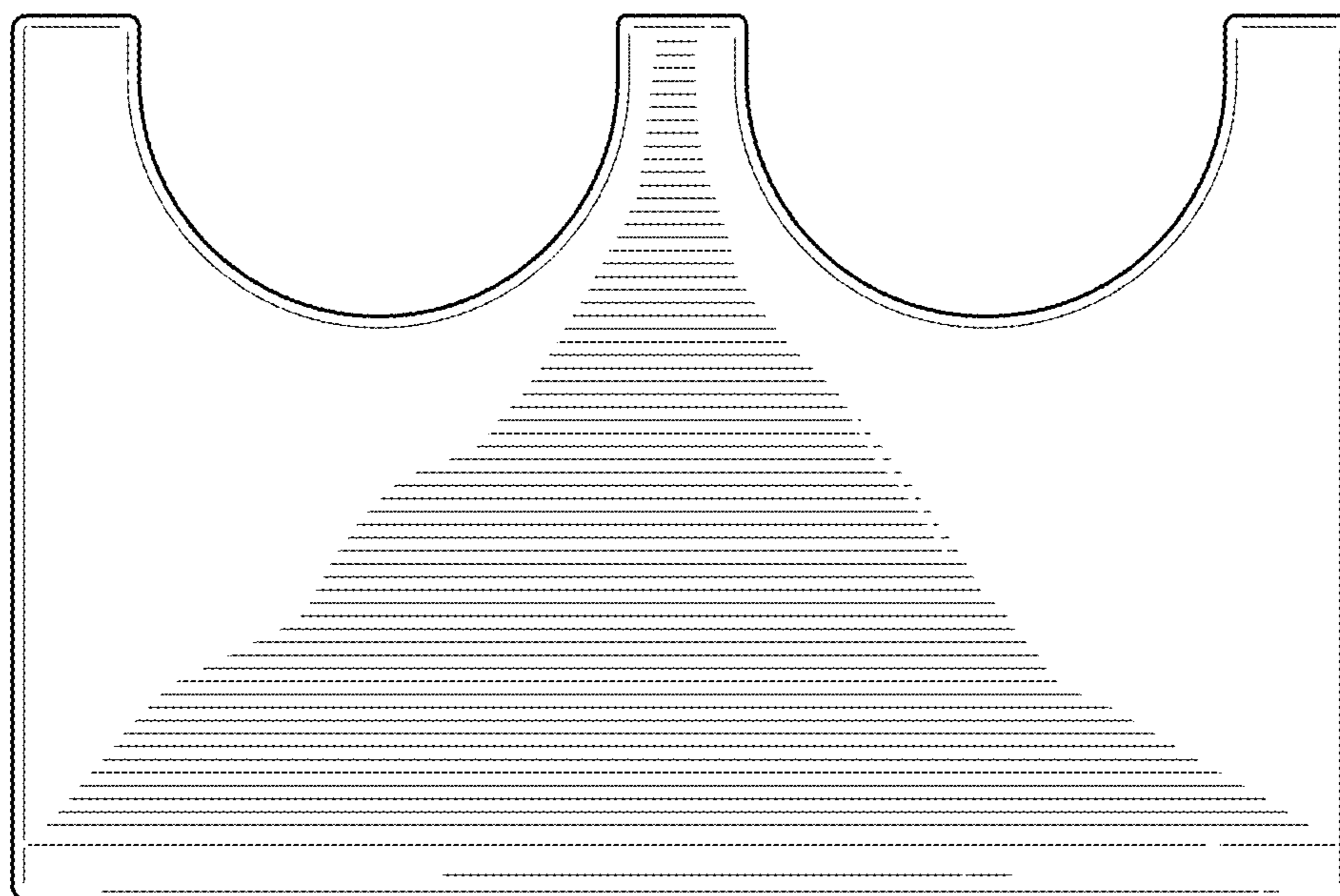


FIG. 7

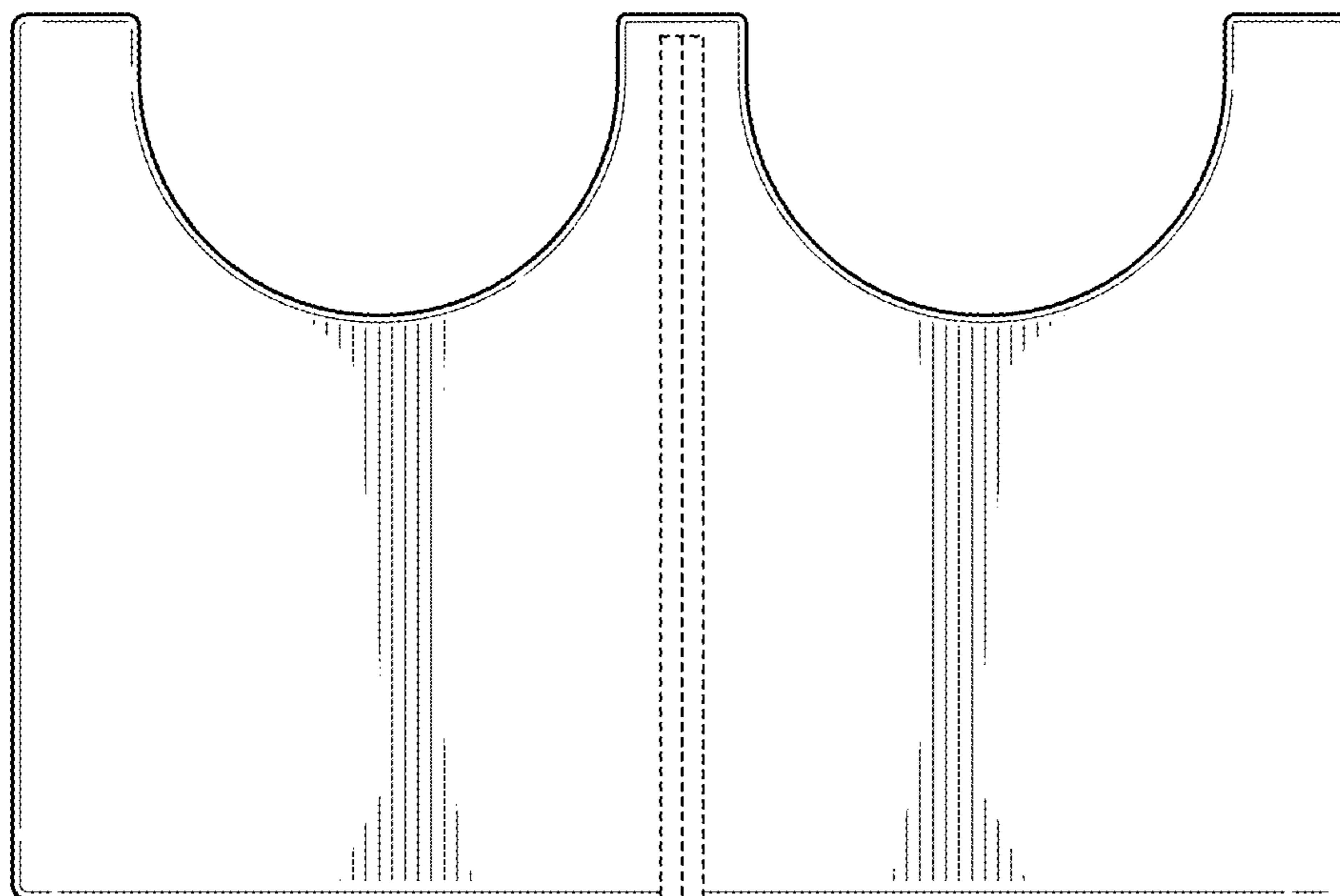


FIG. 8

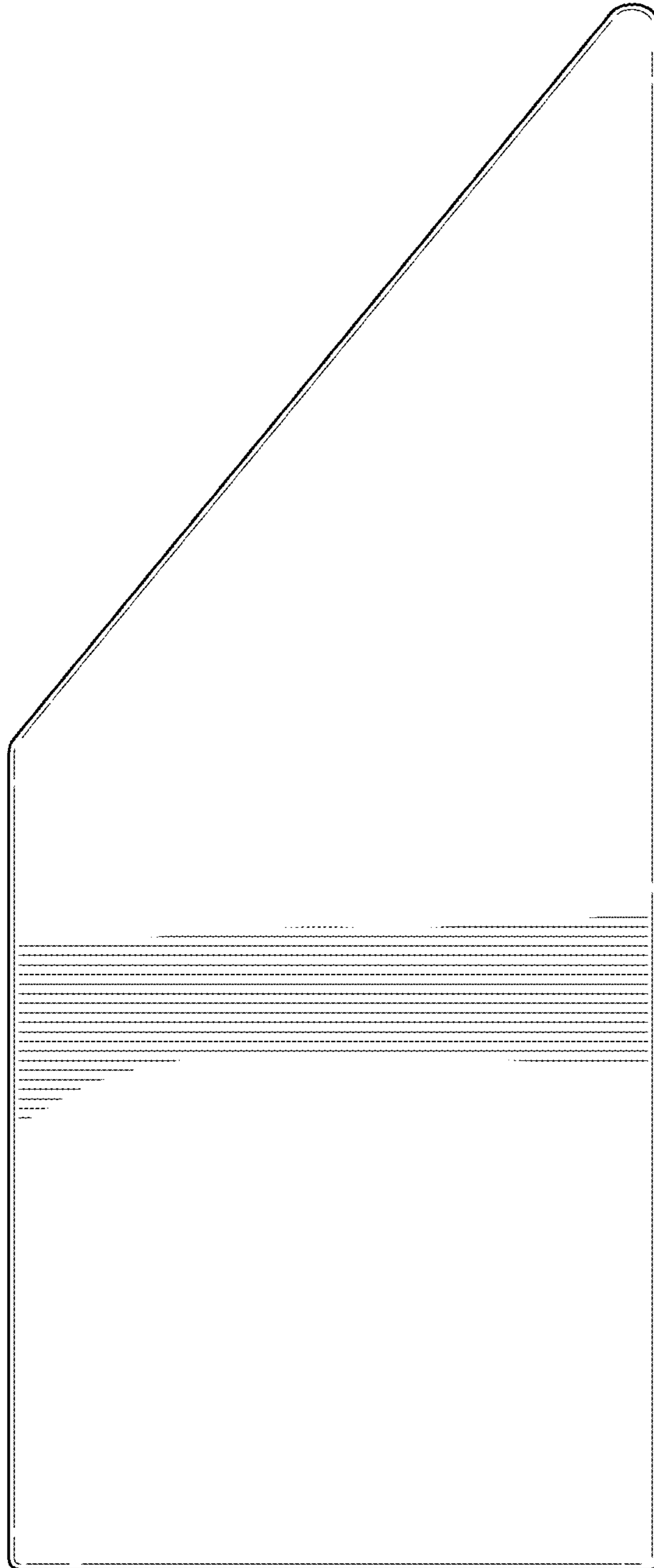


FIG. 9

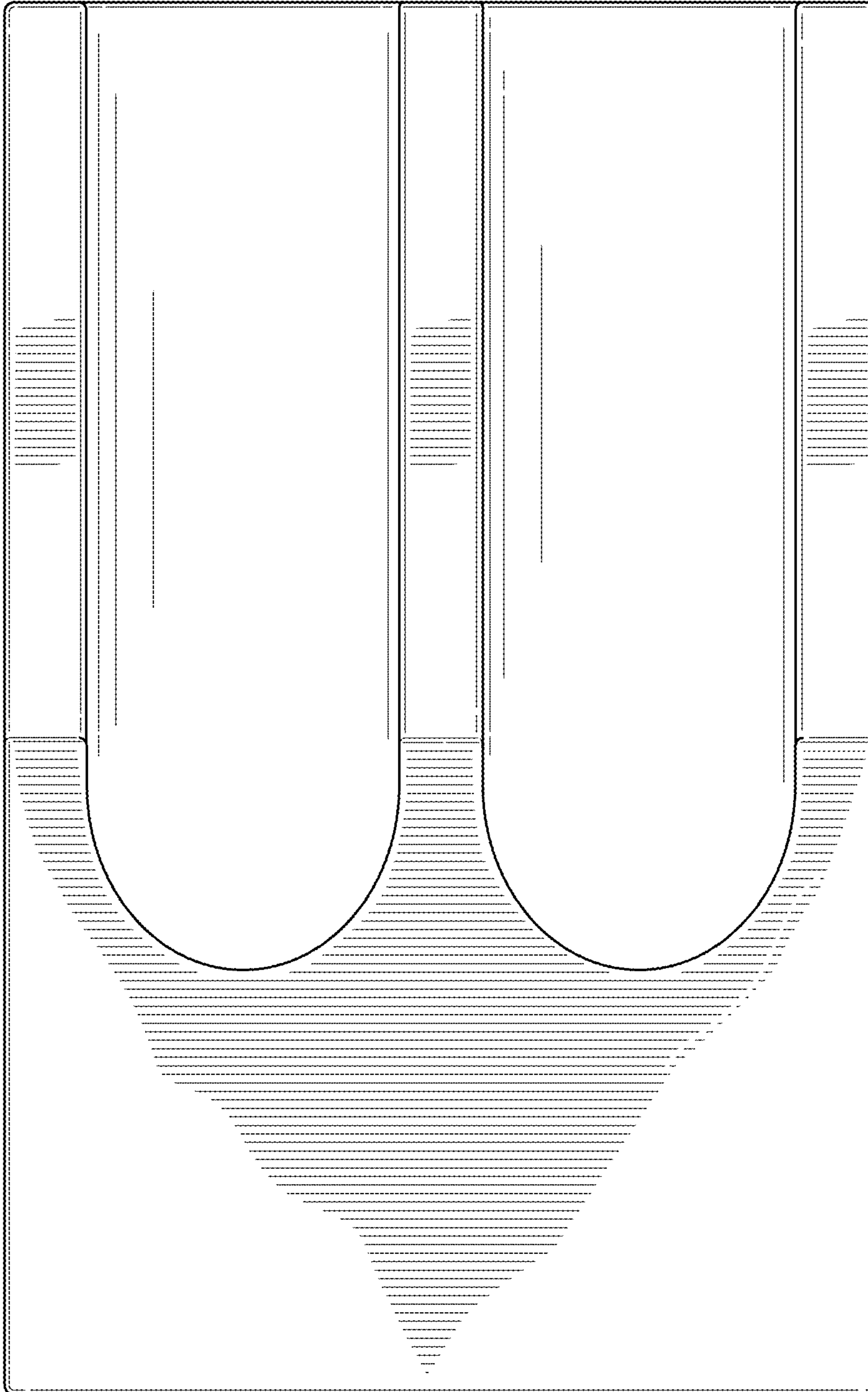


FIG. 10

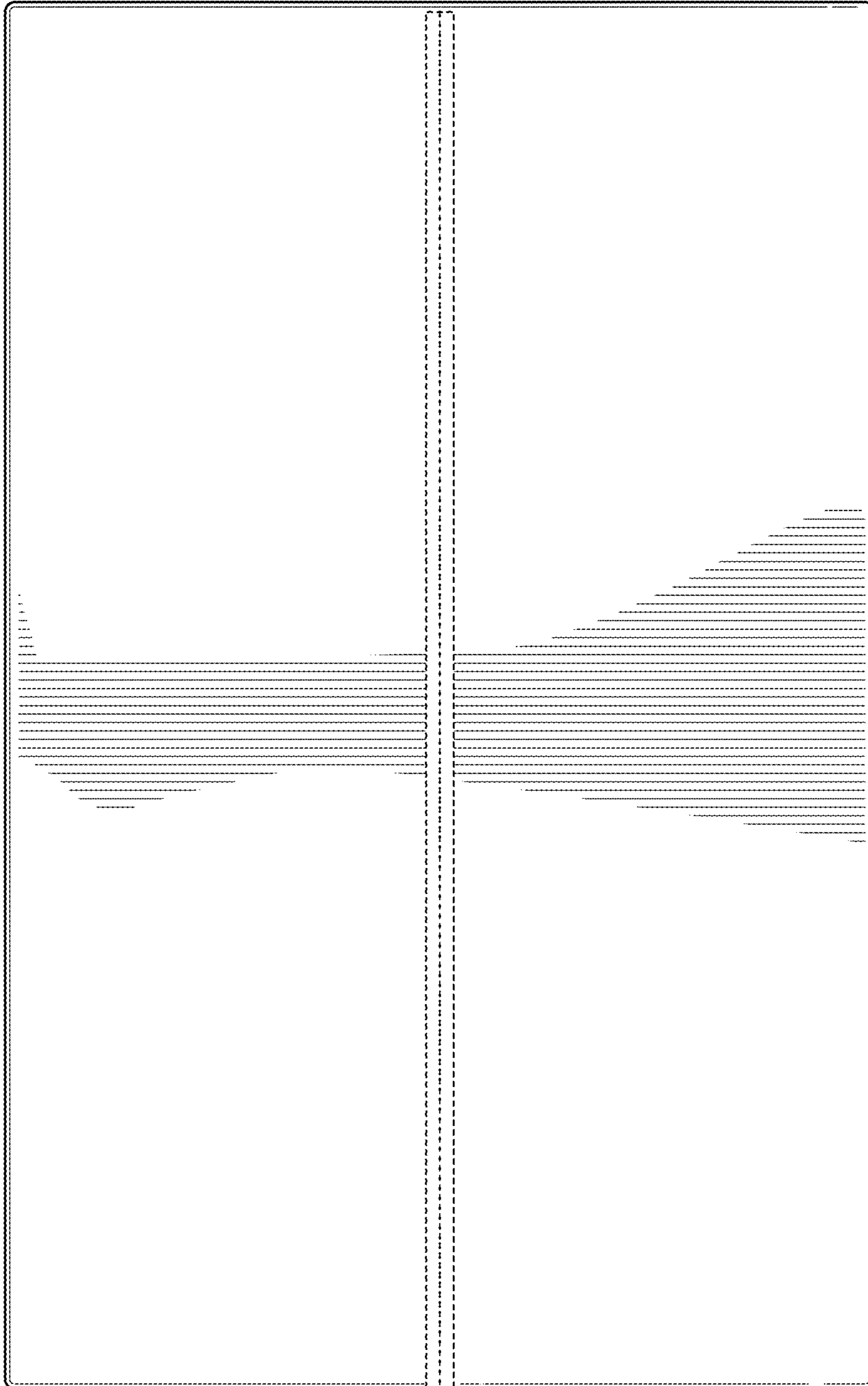


FIG. 11