



US00D871592S

(12) **United States Design Patent** (10) **Patent No.:** **US D871,592 S**
Dickey (45) **Date of Patent:** **** Dec. 31, 2019**

(54) **ADHESIVE NASAL STRIP**
(71) Applicant: **Lloyd Dickey**, Concord, NC (US)
(72) Inventor: **Lloyd Dickey**, Concord, NC (US)
(**) Term: **15 Years**
(21) Appl. No.: **29/632,585**
(22) Filed: **Jan. 9, 2018**
(51) **LOC (12) Cl.** **24-01**
(52) **U.S. Cl.**
USPC **D24/189; D24/135**
(58) **Field of Classification Search**
USPC D24/135, 188-190
CPC . Y10T 428/14; Y10T 428/15; Y10T 428/149;
Y10T 428/1495; Y10T 428/1471; Y10T
428/24793; Y10T 428/24802; Y10T
428/1476; Y10T 428/24777; Y10T
428/2848; A61F 13/023; A61F 13/0259;
A61F 2013/00412; A61F 2013/00846;
A61F 13/0203; A61F 5/08; A61F 13/126;
A61F 5/56; A61F 13/0213; A61F
2013/00119; A61F 2013/00127; A61F
2013/00476
See application file for complete search history.

D441,081 S * 4/2001 Mueller D24/135
D696,400 S * 12/2013 Brogden D24/135
8,616,198 B2 12/2013 Guyuron
D743,565 S * 11/2015 Engel D24/189
9,421,120 B2 8/2016 Obando
D788,298 S * 5/2017 Guyuron D24/135
9,642,995 B2 5/2017 Fenton
D791,312 S 7/2017 Peck
D812,749 S * 3/2018 Ierulli D24/135
D857,887 S * 8/2019 Ierulli D24/135
D859,654 S * 9/2019 Ierulli D24/135
2007/0255309 A1 * 11/2007 Guyuron A61F 5/08
606/199
2011/0166594 A1 * 7/2011 Eull A61F 5/08
606/201
2017/0027736 A1 2/2017 O'Connell

FOREIGN PATENT DOCUMENTS

WO 2011079088 6/2011

* cited by examiner

Primary Examiner — Jennifer L Watkins

(57) **CLAIM**

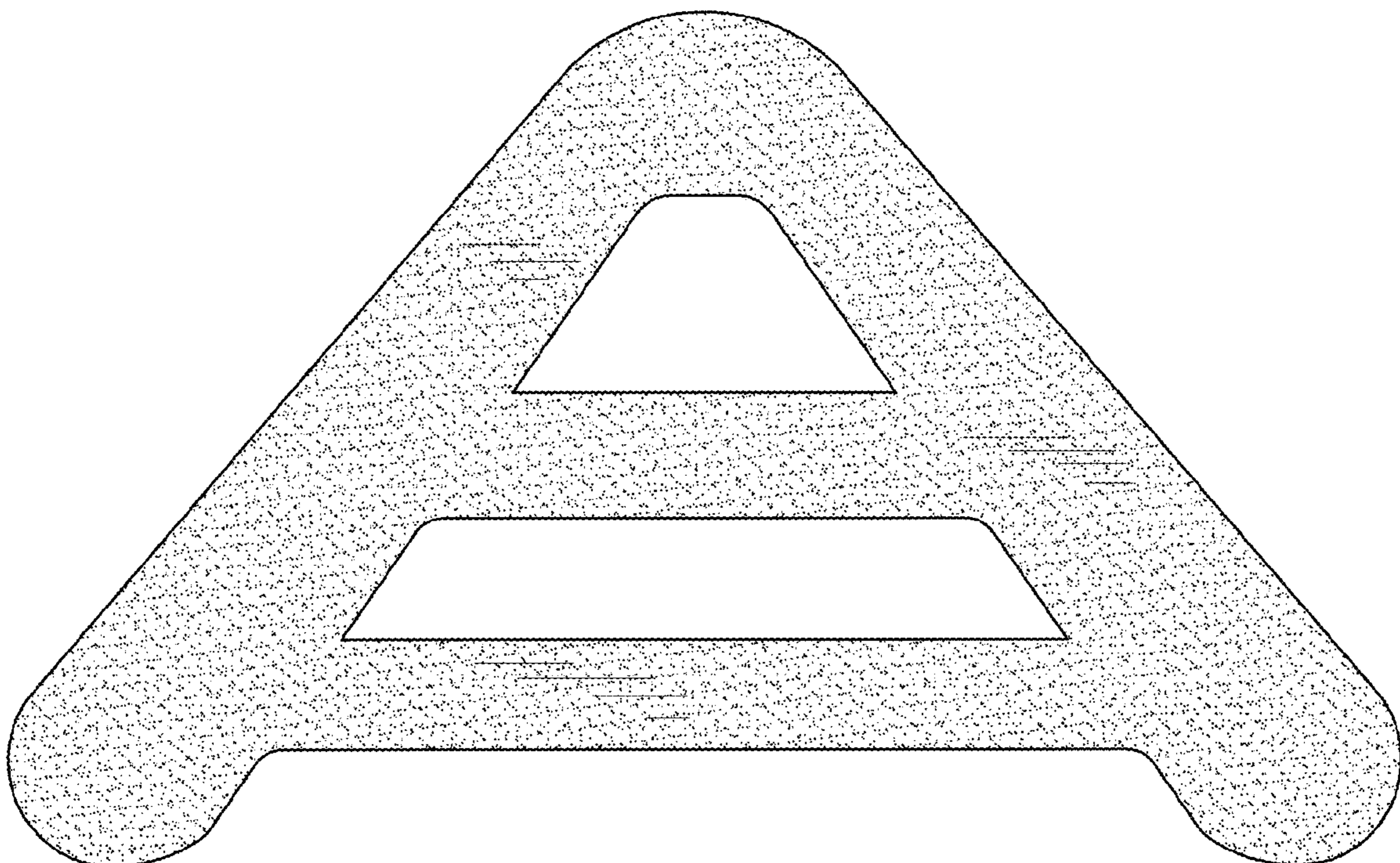
I claim the ornamental design for an adhesive nasal strip, as shown and described.

DESCRIPTION

FIG. 1 is a front view of the adhesive nasal strip.
FIG. 2 is a rear view of the claimed design.
FIG. 3 is a side view of the claimed design.
FIG. 4 is a top view of the claimed design.
FIG. 5 is a bottom view of the claimed design; and,
FIG. 6 is a perspective view of the claimed design.

1 Claim, 5 Drawing Sheets

(56) **References Cited**
U.S. PATENT DOCUMENTS
5,682,607 A * 11/1997 Klein A61F 13/126
128/858
5,817,039 A 10/1998 Raunig
5,961,537 A 10/1999 Gould



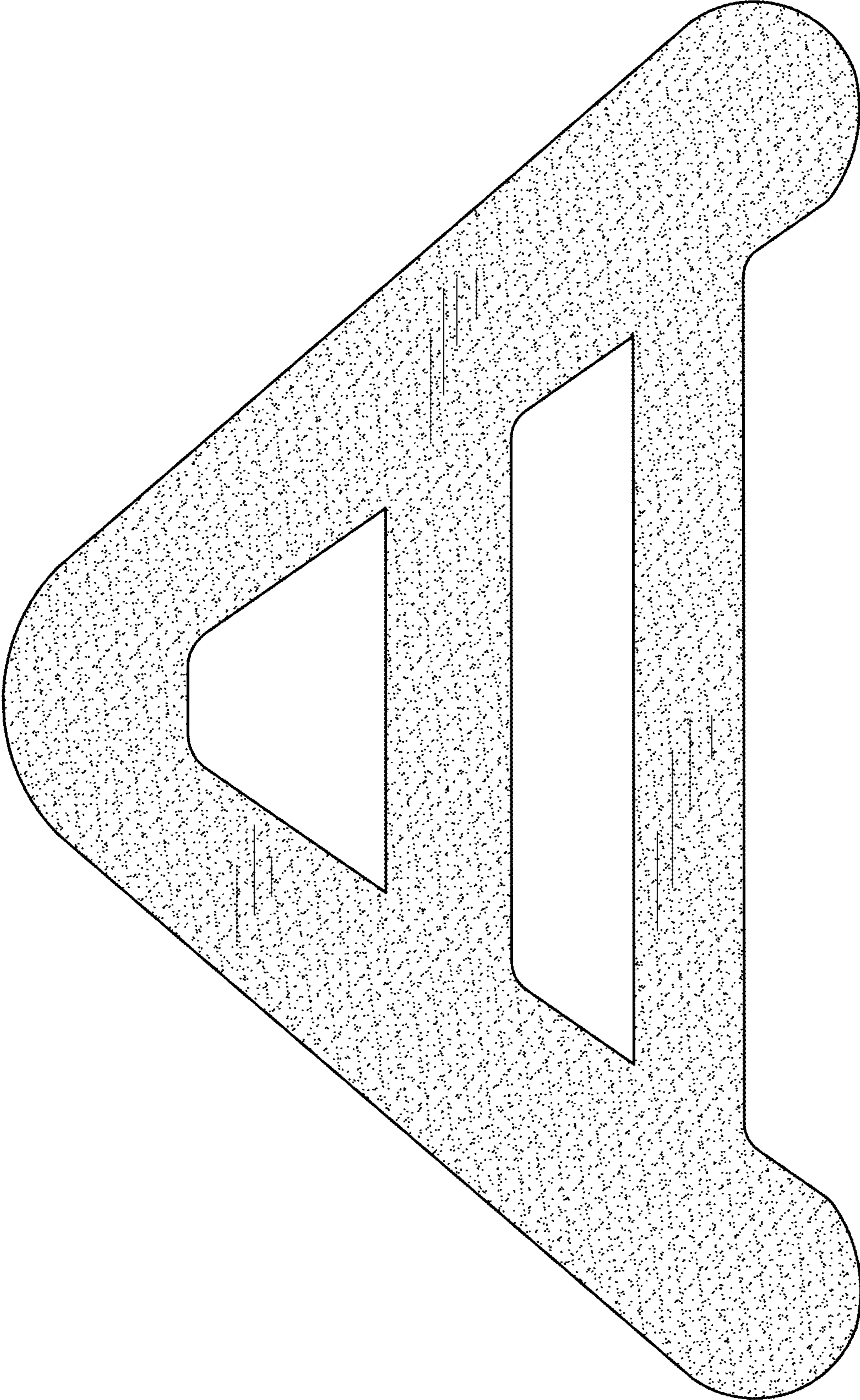


FIG. 1

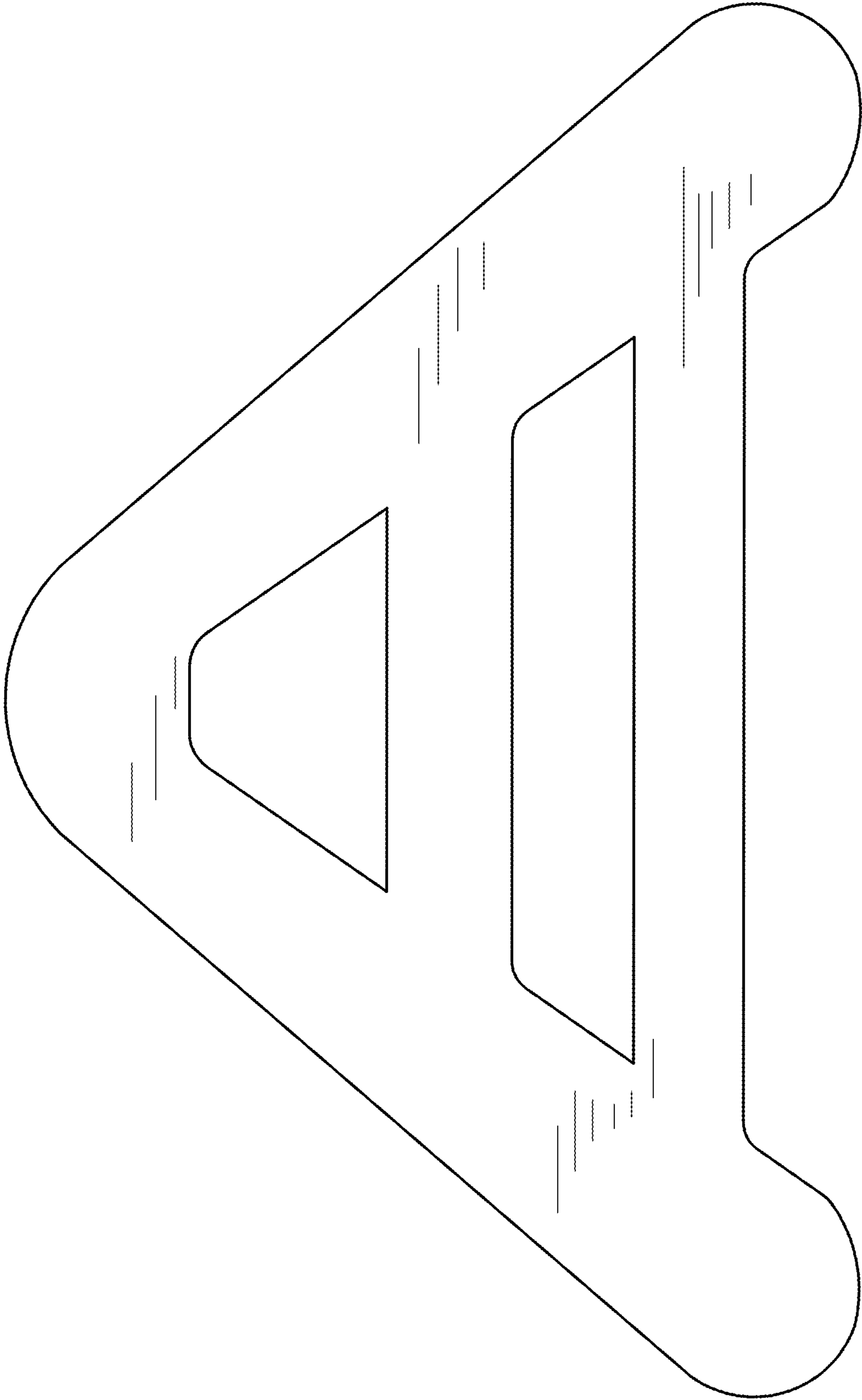


FIG. 2



FIG. 3



FIG. 4



FIG. 5

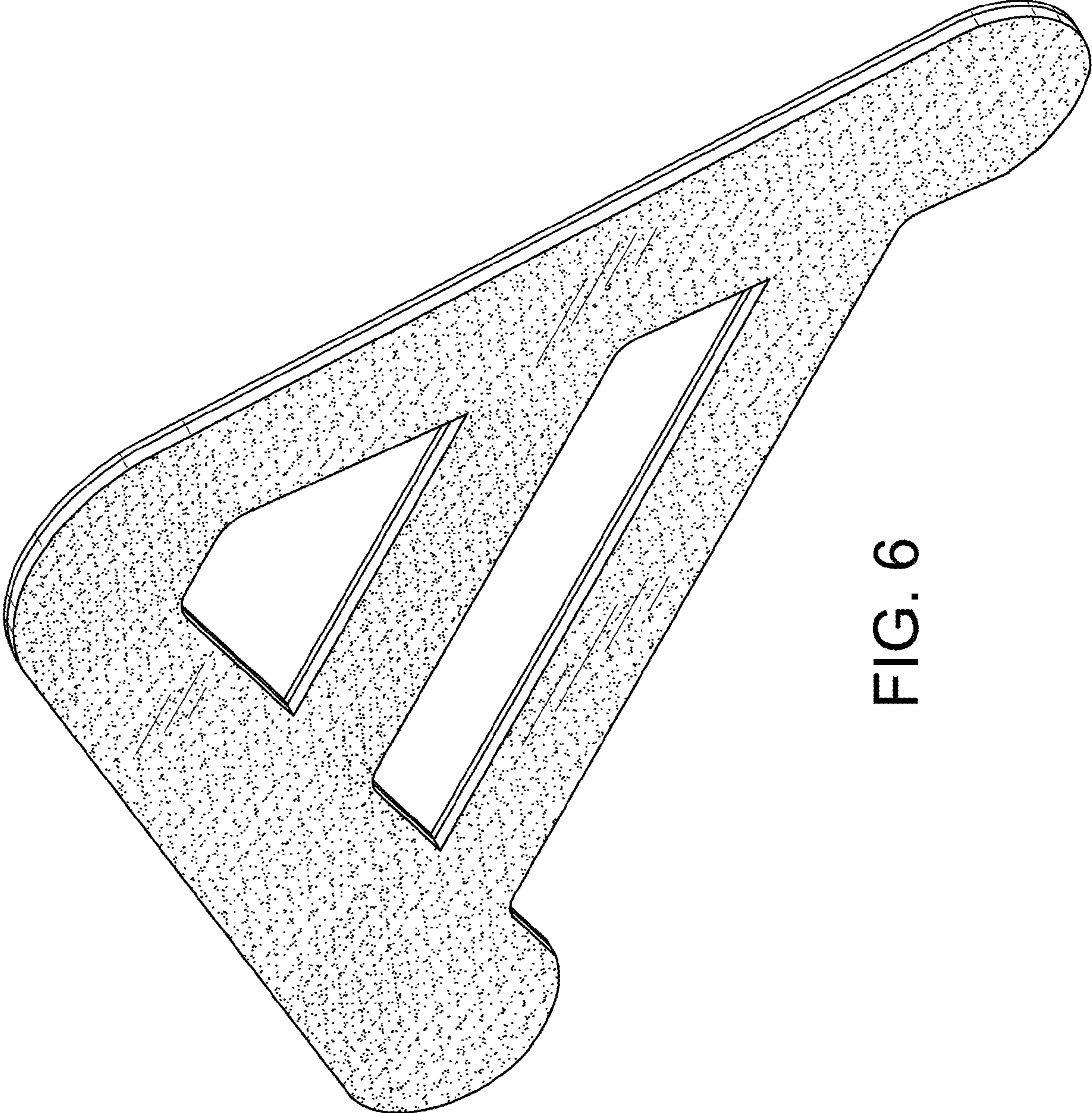


FIG. 6