



US00D871591S

(12) **United States Design Patent**
Lauronen et al.

(10) **Patent No.:** **US D871,591 S**

(45) **Date of Patent:** **** Dec. 31, 2019**

(54) **PHYSIOTHERAPY APPARATUS**

(71) Applicant: **LymphaTouch Oy**, Helsinki (FI)

(72) Inventors: **Juho Lauronen**, Helsinki (FI); **Leena Niemistö**, Helsinki (FI)

(73) Assignee: **Lymphatouch OY**, Helsinki (FI)

(**) Term: **15 Years**

(21) Appl. No.: **29/657,150**

(22) Filed: **Jul. 19, 2018**

(30) **Foreign Application Priority Data**

Jan. 19, 2018 (EM) 004672327-0001

(51) **LOC (12) Cl.** **24-02**

(52) **U.S. Cl.**

USPC **D24/188; D24/200**

(58) **Field of Classification Search**

USPC D24/200, 185-186, 188, 158, 107

CPC A61B 18/18; A61H 7/003; A61H 7/005;

A61H 39/00; A61H 2205/04; A61H

2205/06; A61H 2205/065; A61H

2205/067; A61H 2205/081; A61H

2205/083; A61H 2205/084; A61H

2205/088; A61H 2205/10; A61H

2205/102; A61H 2205/106; A61H

2205/108; A63B 23/185; A61N 1/36;

A61N 1/36021

See application file for complete search history.

(56) **References Cited**

U.S. PATENT DOCUMENTS

D475,463 S * 6/2003 Leyde D24/200

D502,996 S * 3/2005 Guenther D24/200

D503,807 S * 4/2005 Ryan D24/200

D504,953 S * 5/2005 Ryan D24/200

D508,998 S * 8/2005 Ryan D24/200

D574,961 S * 8/2008 Kitahara D24/186

9,114,233 B2 * 8/2015 Wang A63B 23/185

D757,949 S * 5/2016 Smith D24/188

D817,501 S * 5/2018 Wei D24/188

* cited by examiner

Primary Examiner — Wan Laymon

(74) *Attorney, Agent, or Firm* — Hoffmann & Baron, LLP

(57) **CLAIM**

The ornamental design for a physiotherapy apparatus, as shown and described.

DESCRIPTION

FIG. 1 is a perspective view showing the front and right side of the physiotherapy apparatus of our new design;

FIG. 2 is a front view thereof;

FIG. 3 is a rear view thereof;

FIG. 4 is a right side view thereof;

FIG. 5 is a left side view thereof;

FIG. 6 is a top view thereof;

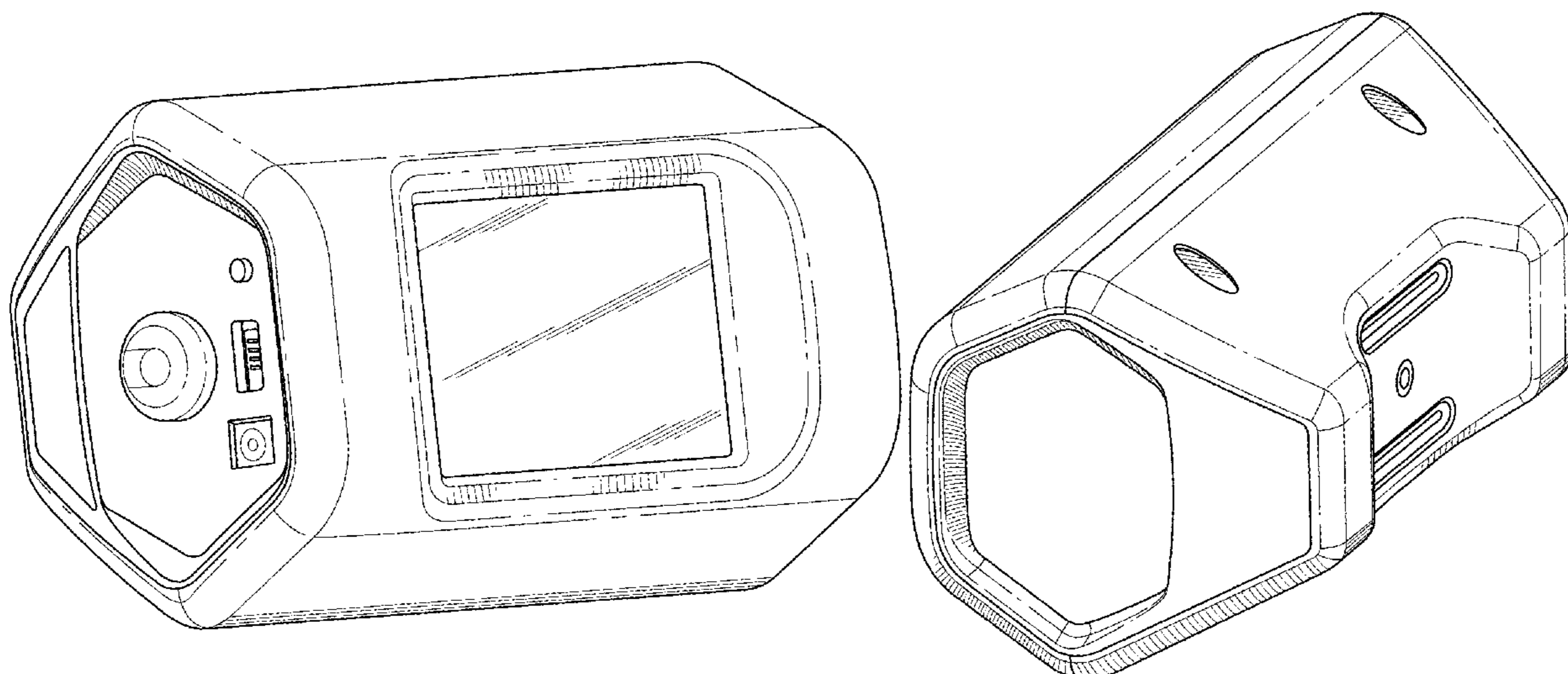
FIG. 7 is a bottom view thereof;

FIG. 8 is a perspective view showing the rear, top and left side thereof; and,

FIG. 9 is a perspective view showing the rear, bottom and right side thereof.

The broken lines shown in the figures are included for the purpose of illustrating portions of the physiotherapy apparatus and form no part of the claimed design.

1 Claim, 5 Drawing Sheets



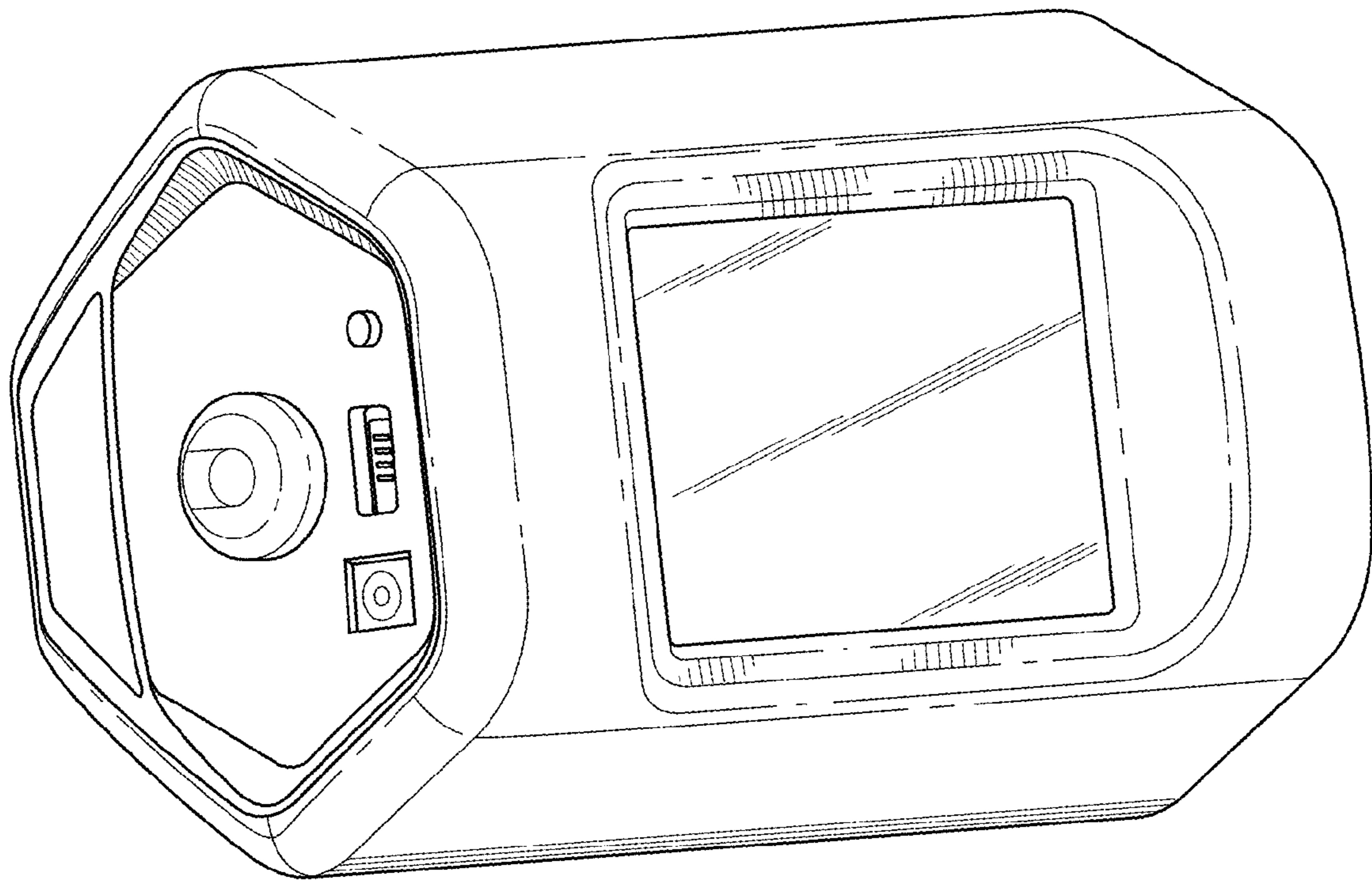


FIG. 1

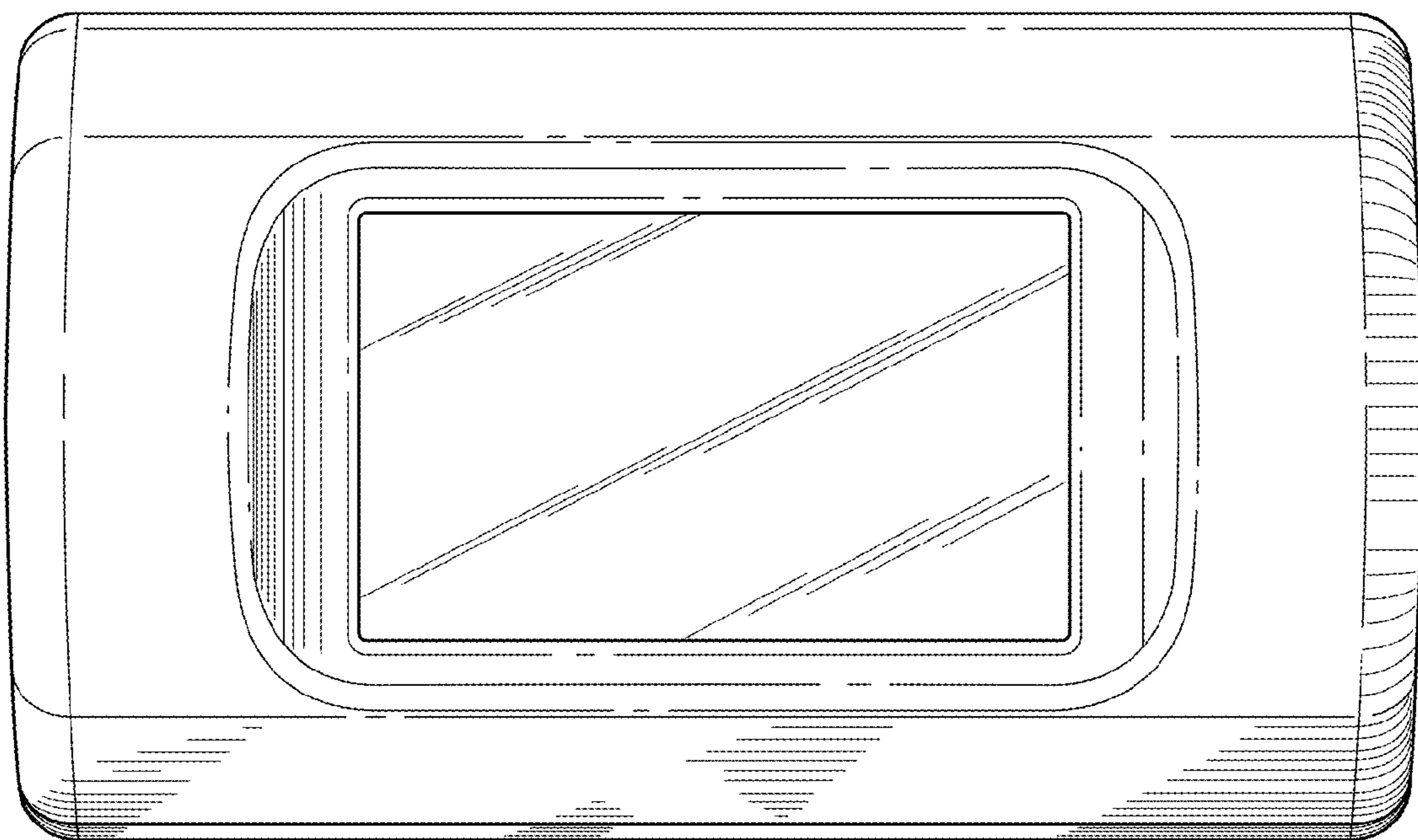


FIG. 2

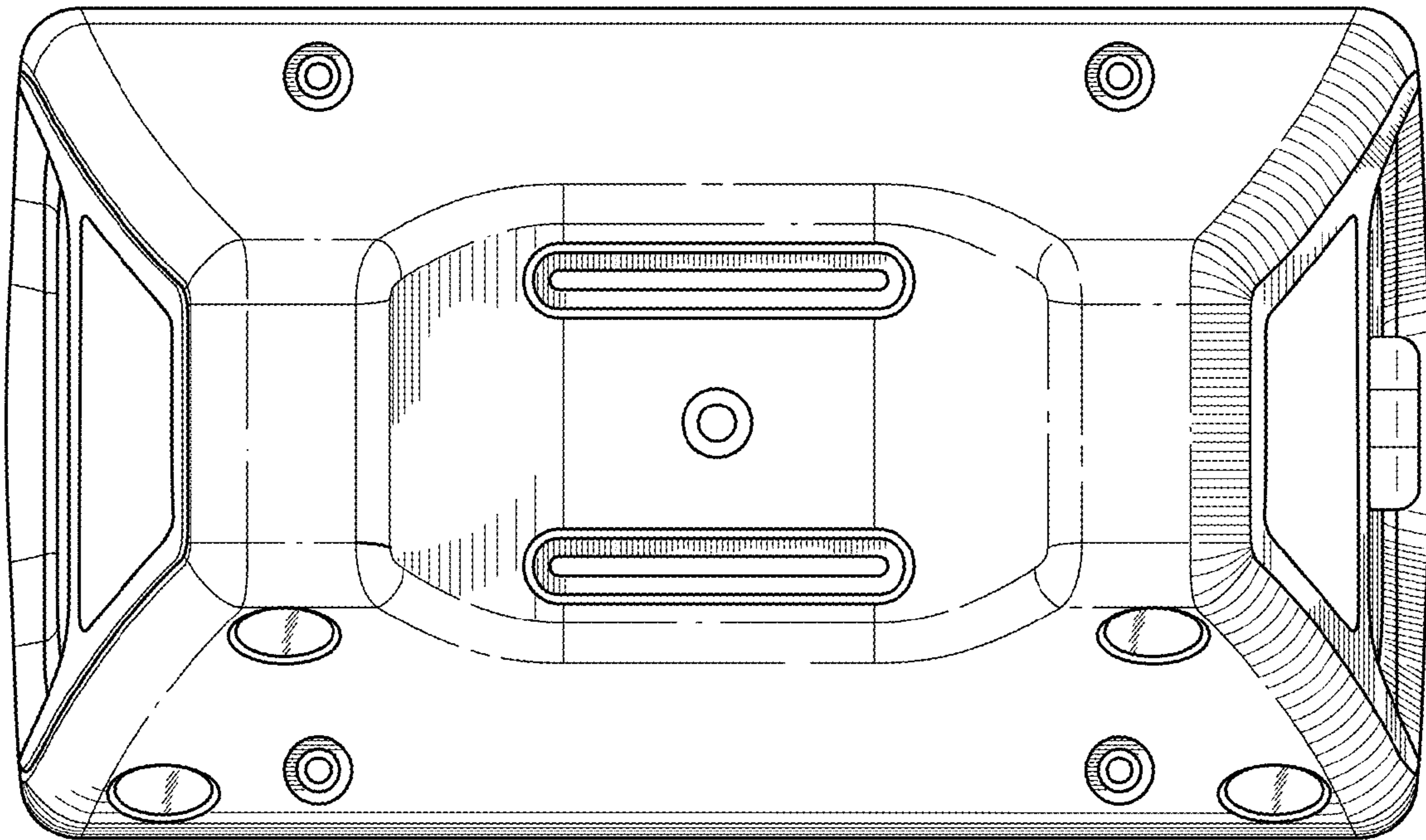


FIG. 3

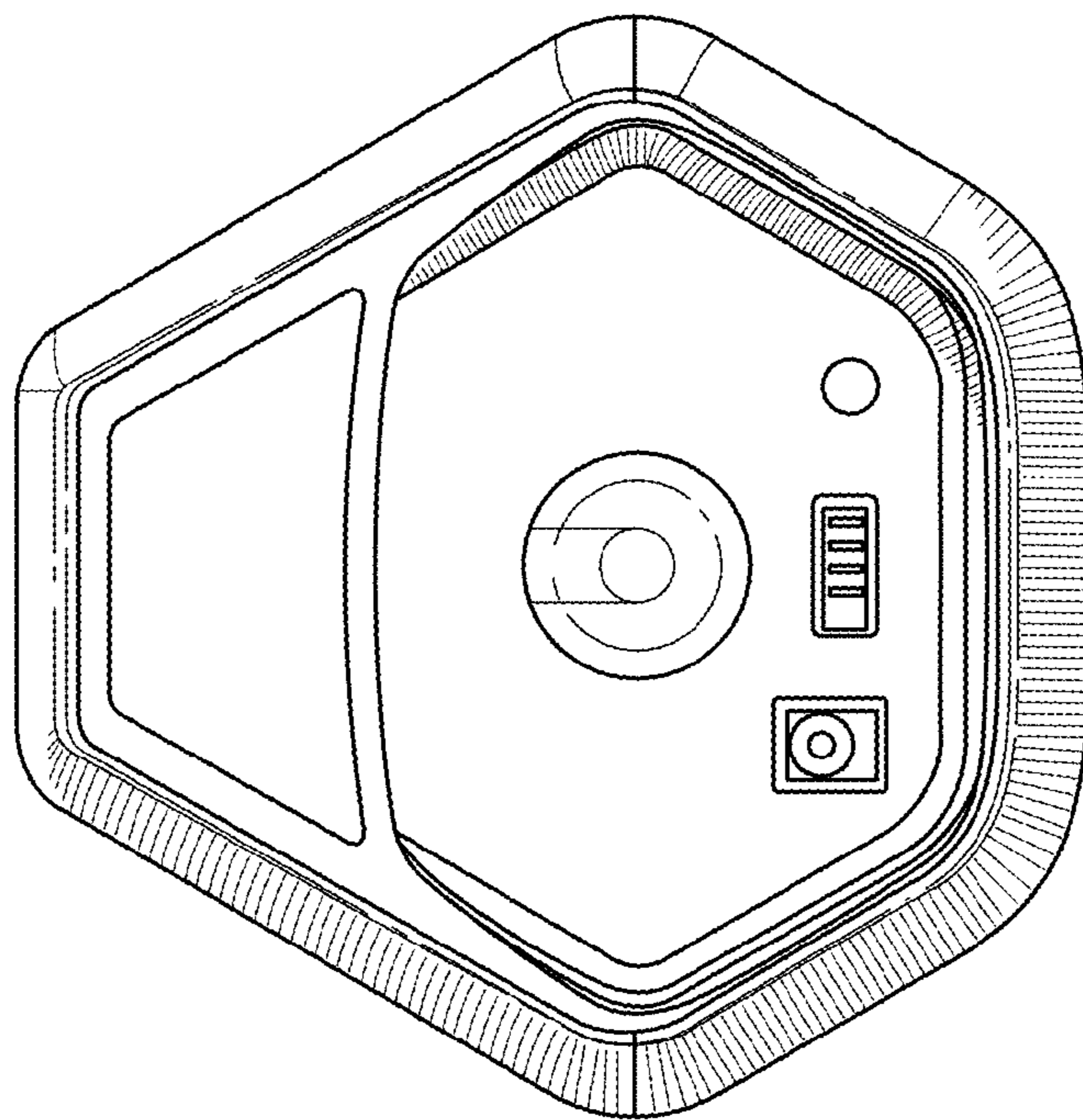


FIG. 4

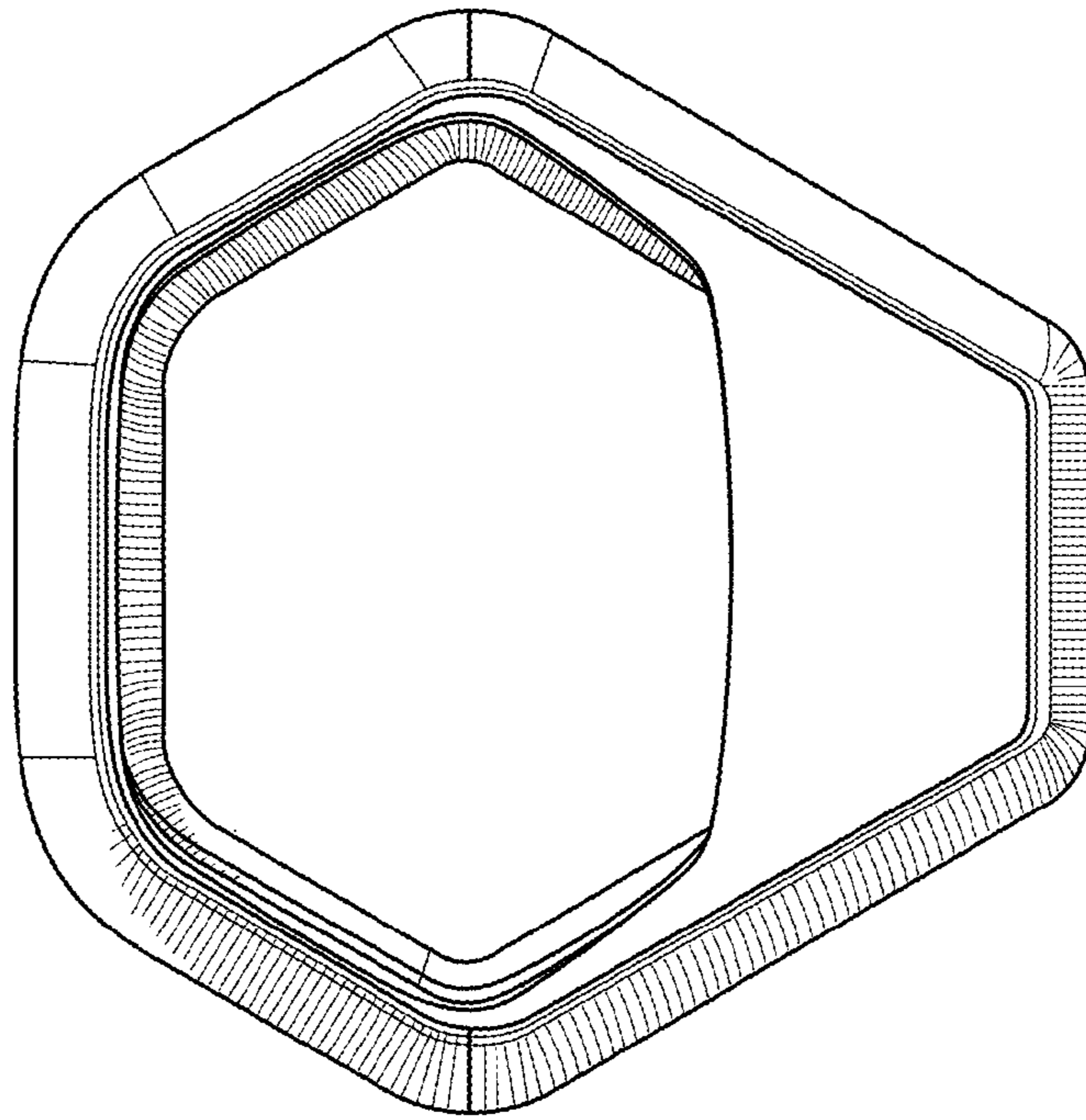


FIG. 5

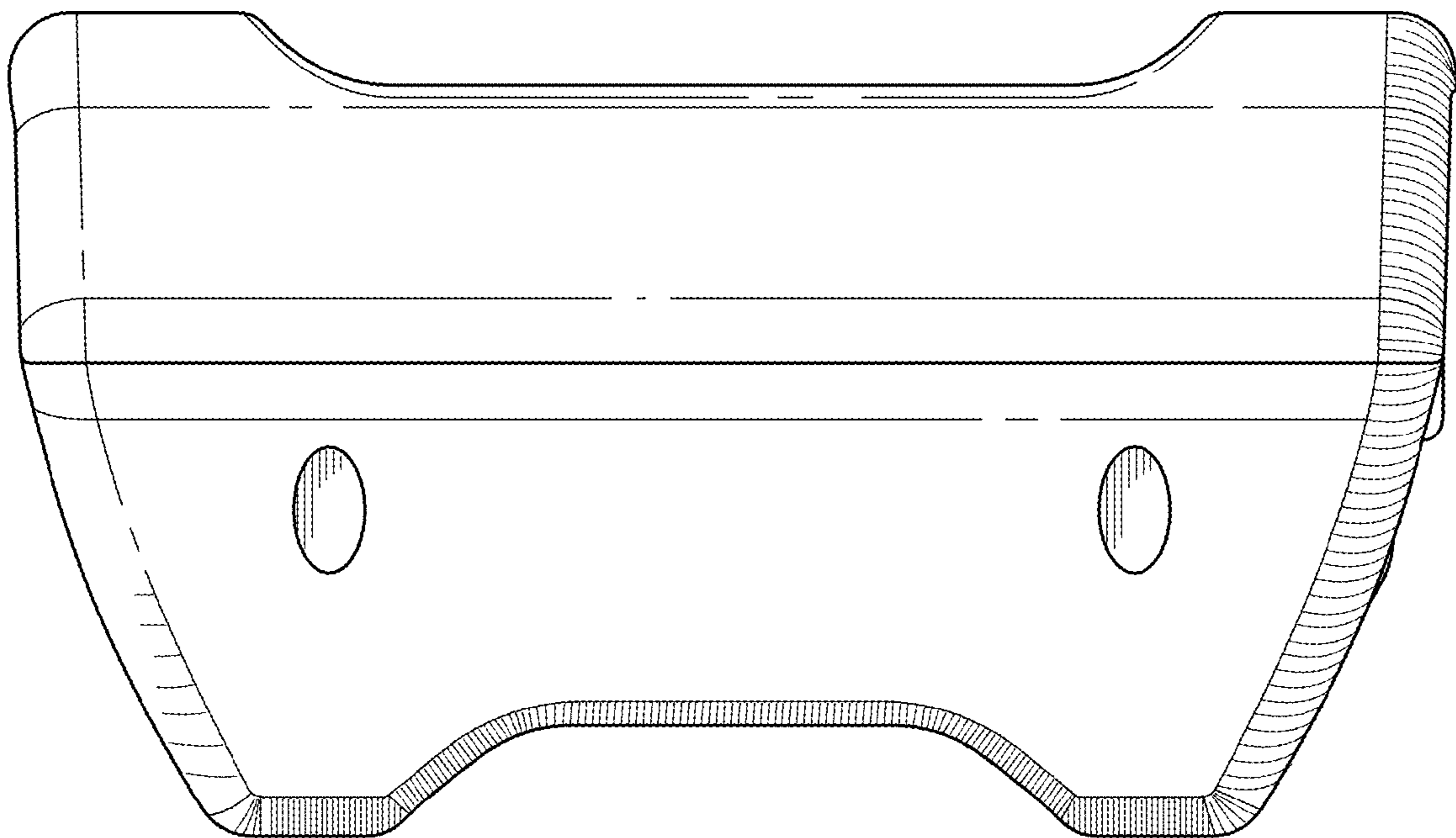


FIG. 6

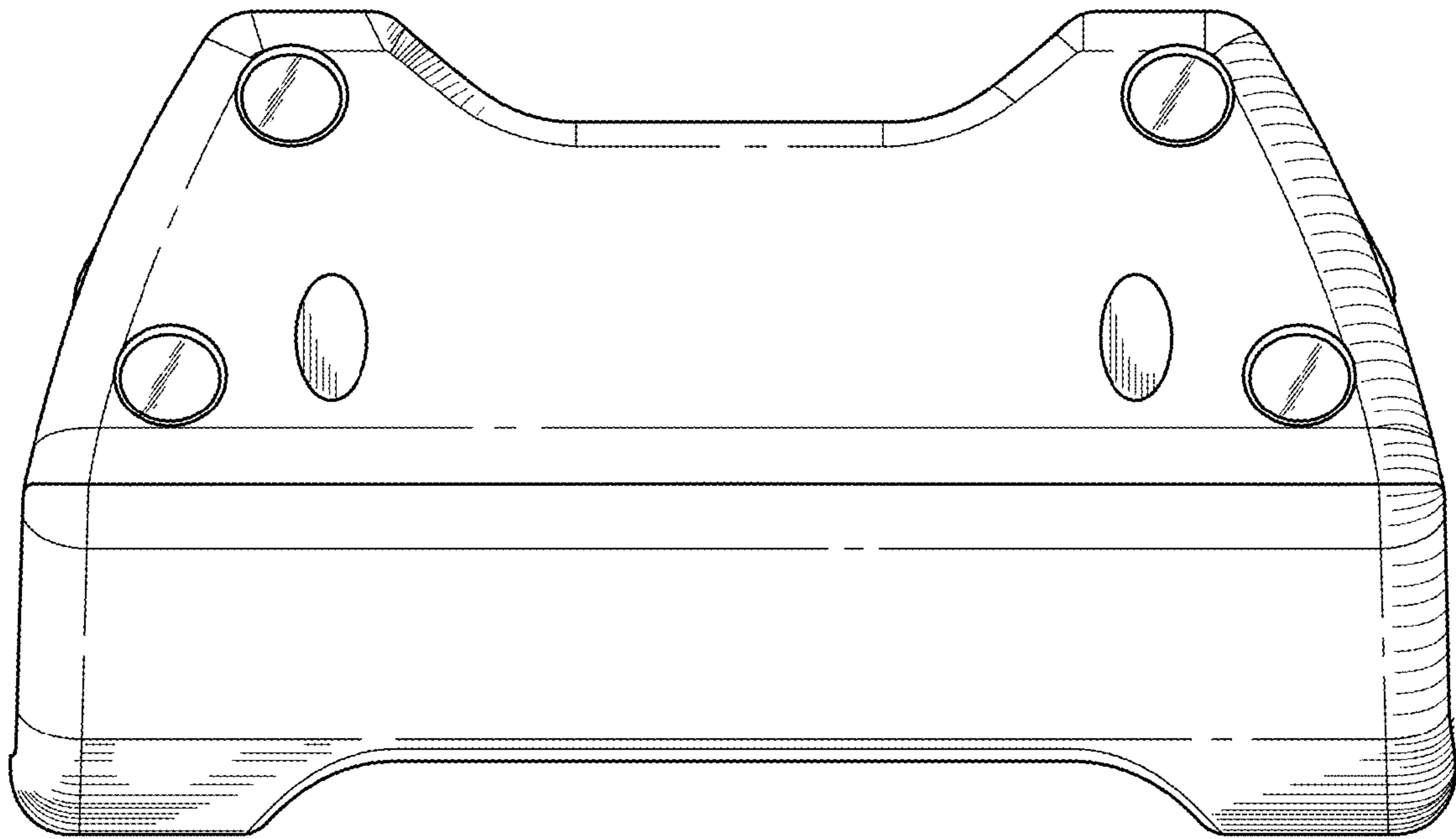


FIG. 7

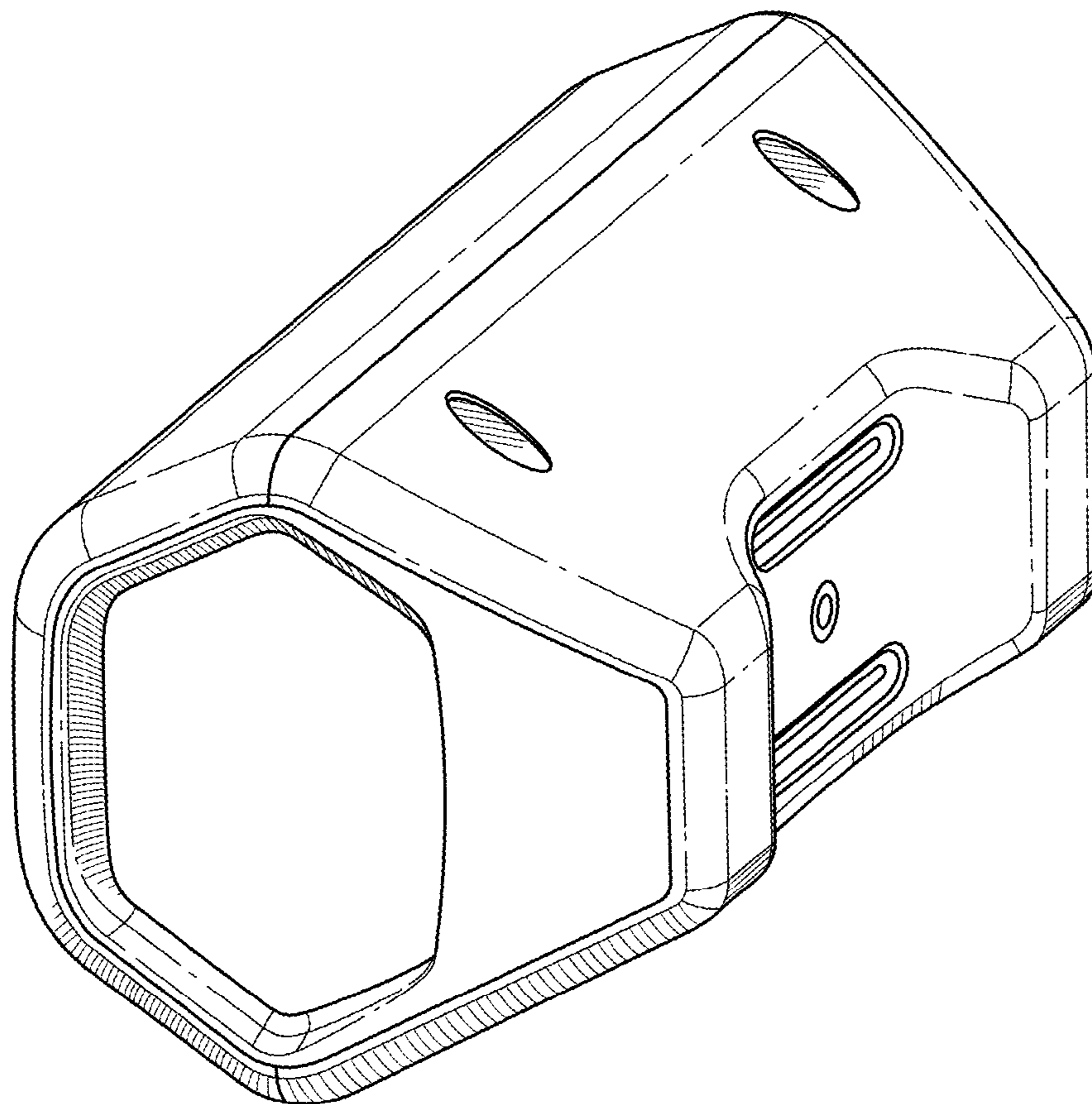


FIG. 8

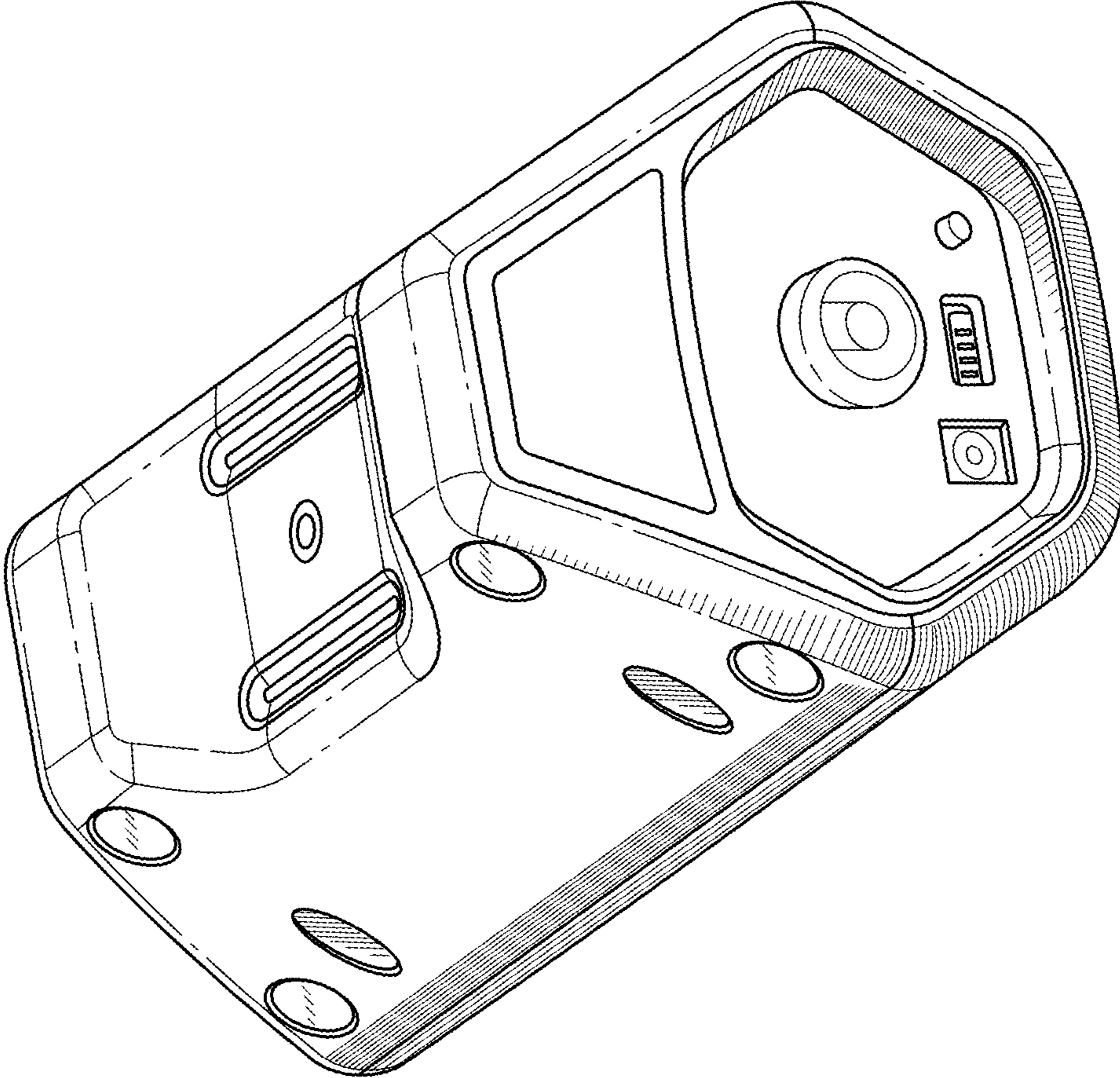


FIG. 9