



US00D871589S

(12) **United States Design Patent**
Oshima

(10) **Patent No.:** **US D871,589 S**

(45) **Date of Patent:** **** Dec. 31, 2019**

(54) **MEDICAL ULTRASOUND EQUIPMENT**

(71) Applicant: **KONICA MINOLTA, INC.**,
Chiyoda-ku, Tokyo (JP)

(72) Inventor: **Takanori Oshima**, Saitama (JP)

(73) Assignee: **Konica Minolta, Inc.**, Chiyoda-ku,
Tokyo (JP)

(**) Term: **15 Years**

(21) Appl. No.: **29/650,478**

(22) Filed: **Jun. 7, 2018**

(30) **Foreign Application Priority Data**

Dec. 8, 2017 (JP) 2017-027503

(51) **LOC (12) Cl.** **24-01**

(52) **U.S. Cl.**
USPC **D24/186; D24/160**

(58) **Field of Classification Search**
USPC D24/158-161, 185, 186, 107, 152, 176,
D24/177

CPC ... A61B 6/4405; A61B 6/4411; A61B 6/4435;
A61B 6/4441; A61B 6/4447; A61B
8/4405; A61B 8/4411; A61B 8/4427;
A61B 8/462; A61B 8/0437; A61B 8/0883
See application file for complete search history.

(56) **References Cited**

U.S. PATENT DOCUMENTS

D454,954 S * 3/2002 Cannon D24/160
D562,456 S * 2/2008 Scruggs D24/160
D637,291 S * 5/2011 Wu D24/158
D724,737 S * 3/2015 Kawamura D24/158

D727,505 S * 4/2015 Choudhary D24/158
D784,542 S * 4/2017 Zwierstra D24/186
D844,791 S * 4/2019 Henderson D24/186
D854,166 S * 7/2019 Wang D24/186
2008/0249406 A1* 10/2008 Naruse A61B 8/00
600/437
2013/0218017 A1* 8/2013 Kim A61B 8/4444
600/459
2015/0182196 A1* 7/2015 Ninomiya A61B 8/4427
600/437
2015/0289841 A1* 10/2015 Brusaca A61B 8/4405
600/437
2018/0021015 A1* 1/2018 Naruse A61B 8/14
600/437

* cited by examiner

Primary Examiner — Anhdao Doan

(74) *Attorney, Agent, or Firm* — Buchanan Ingersoll &
Rooney PC

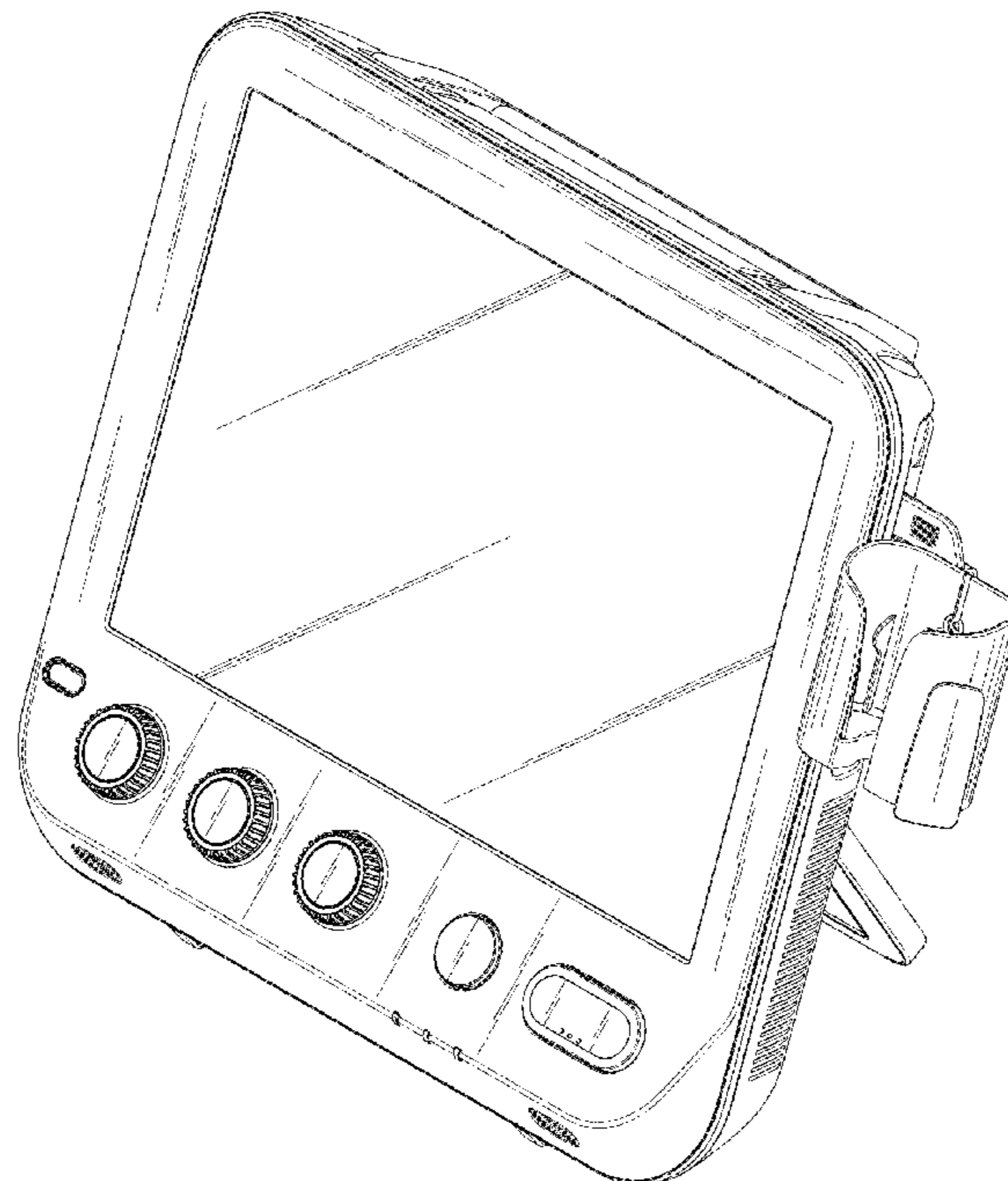
(57) **CLAIM**

The ornamental design for a medical ultrasound equipment,
as shown and described.

DESCRIPTION

FIG. 1 is a first perspective view of a medical ultrasound
equipment;
FIG. 2 is a second perspective view thereof;
FIG. 3 is a front view thereof;
FIG. 4 is a rear view thereof;
FIG. 5 is a left side view thereof;
FIG. 6 is a right side view thereof;
FIG. 7 is a top view thereof;
FIG. 8 is a bottom view thereof; and,
FIG. 9 is a perspective view showing a transportation state
thereof.

1 Claim, 9 Drawing Sheets



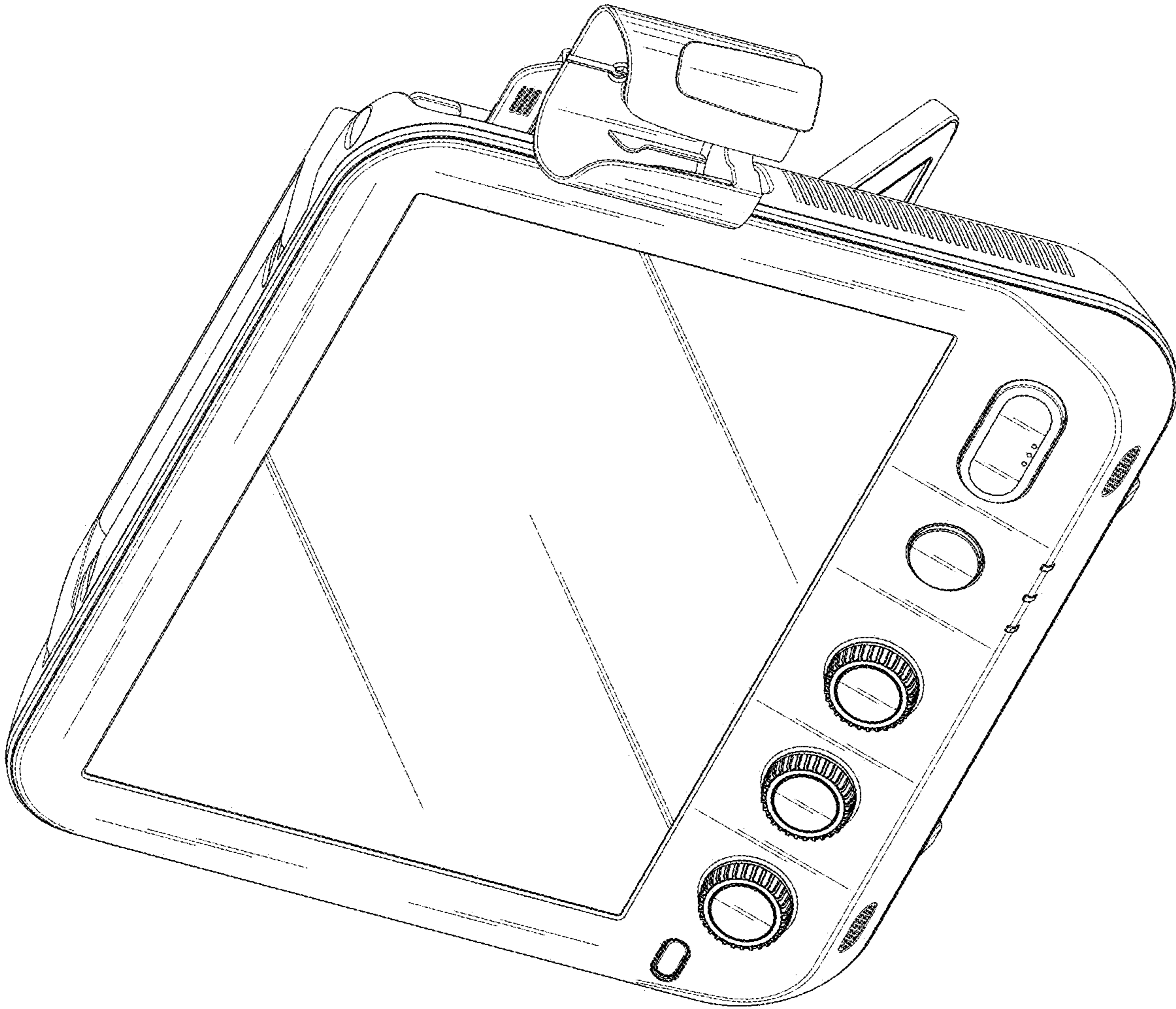


FIG. 1

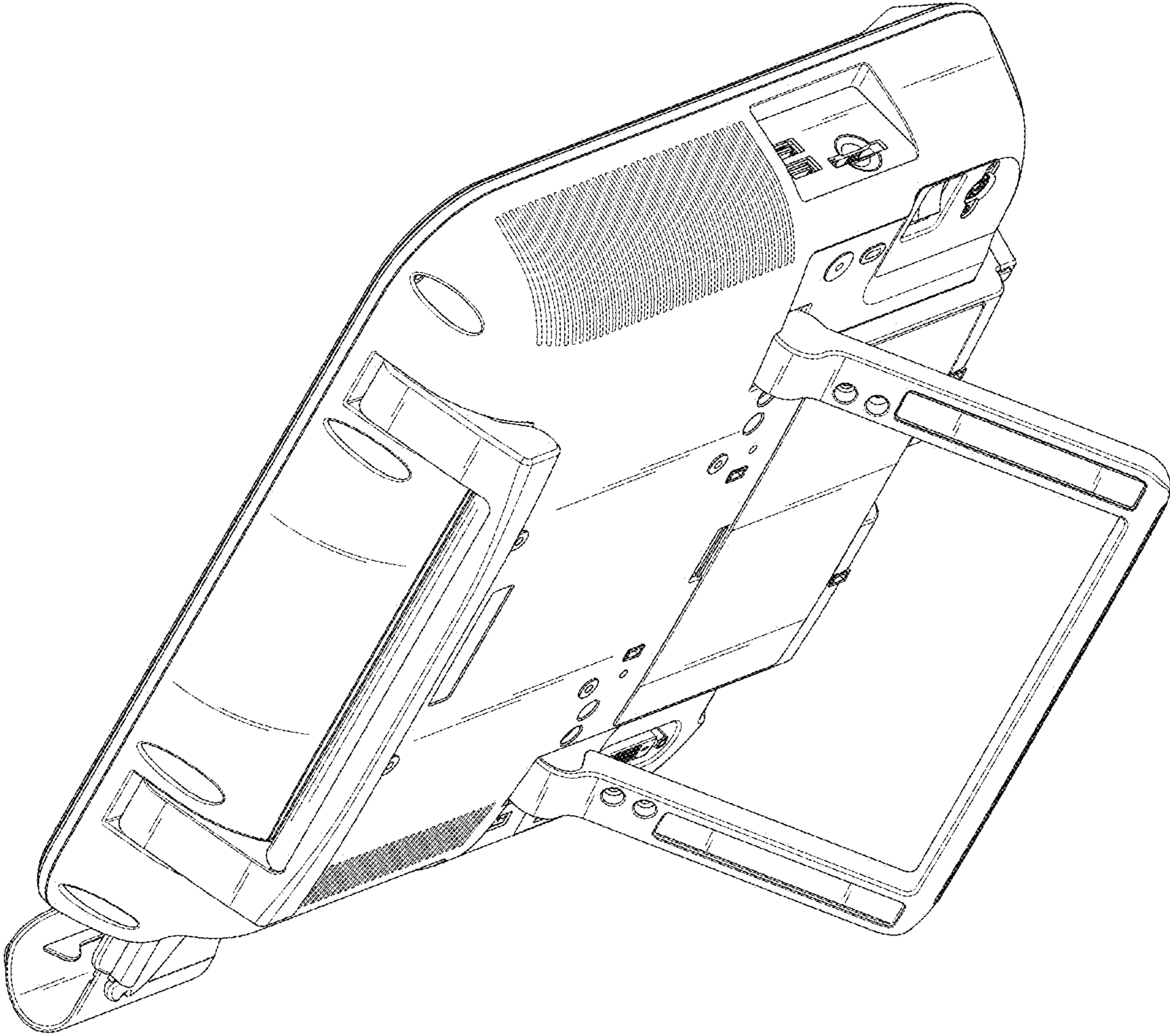


FIG. 2

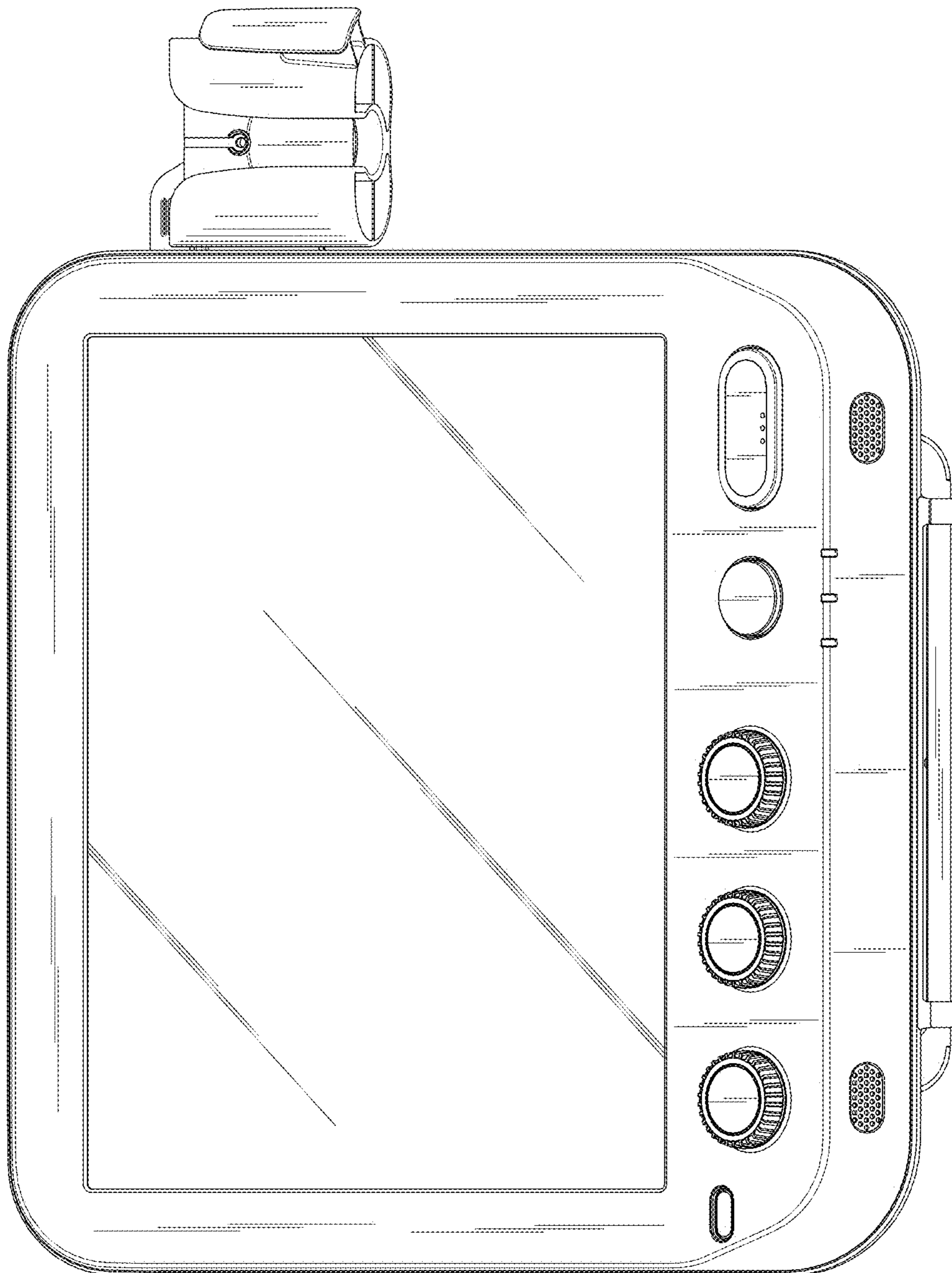


FIG. 3

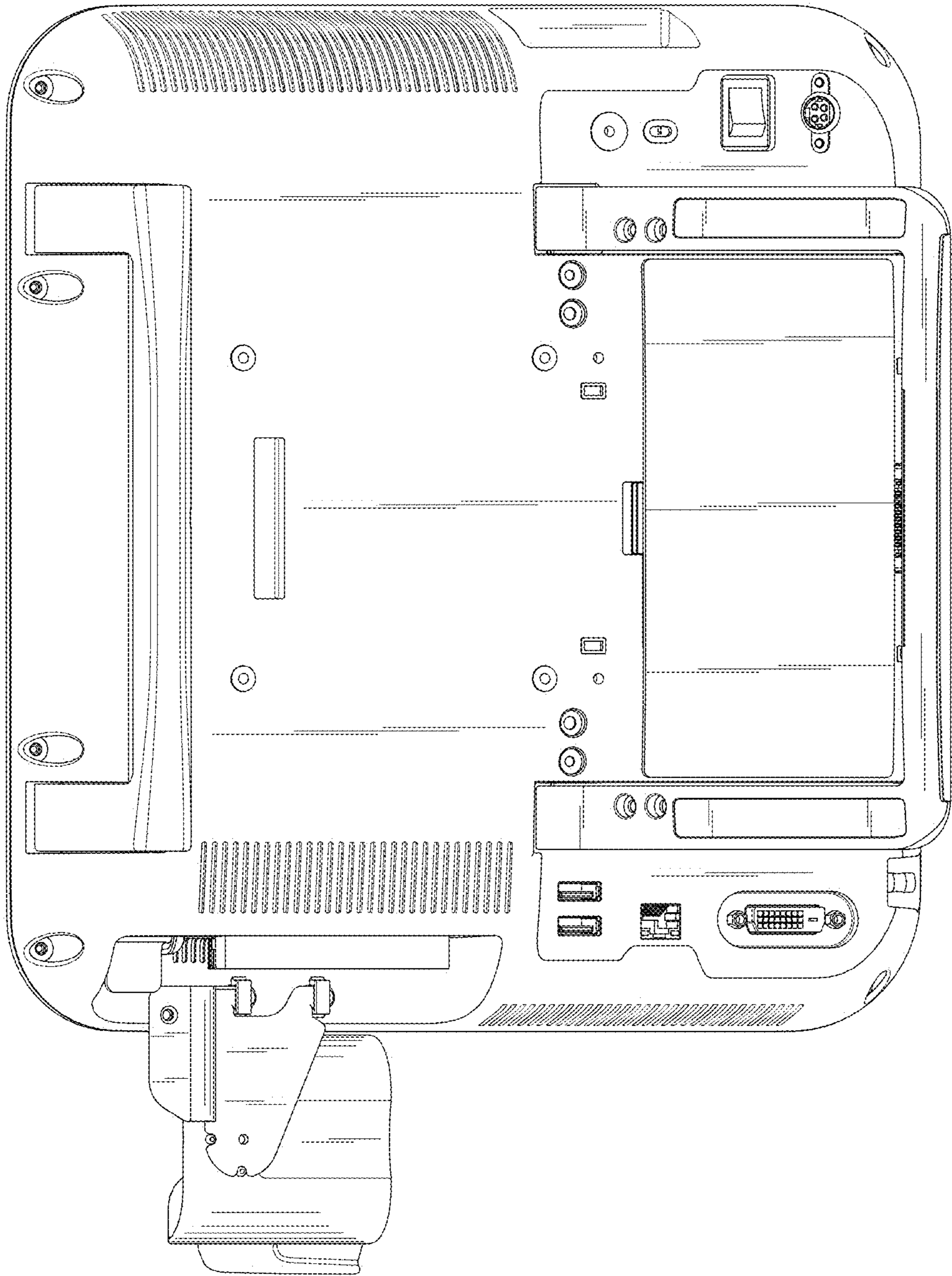


FIG.4

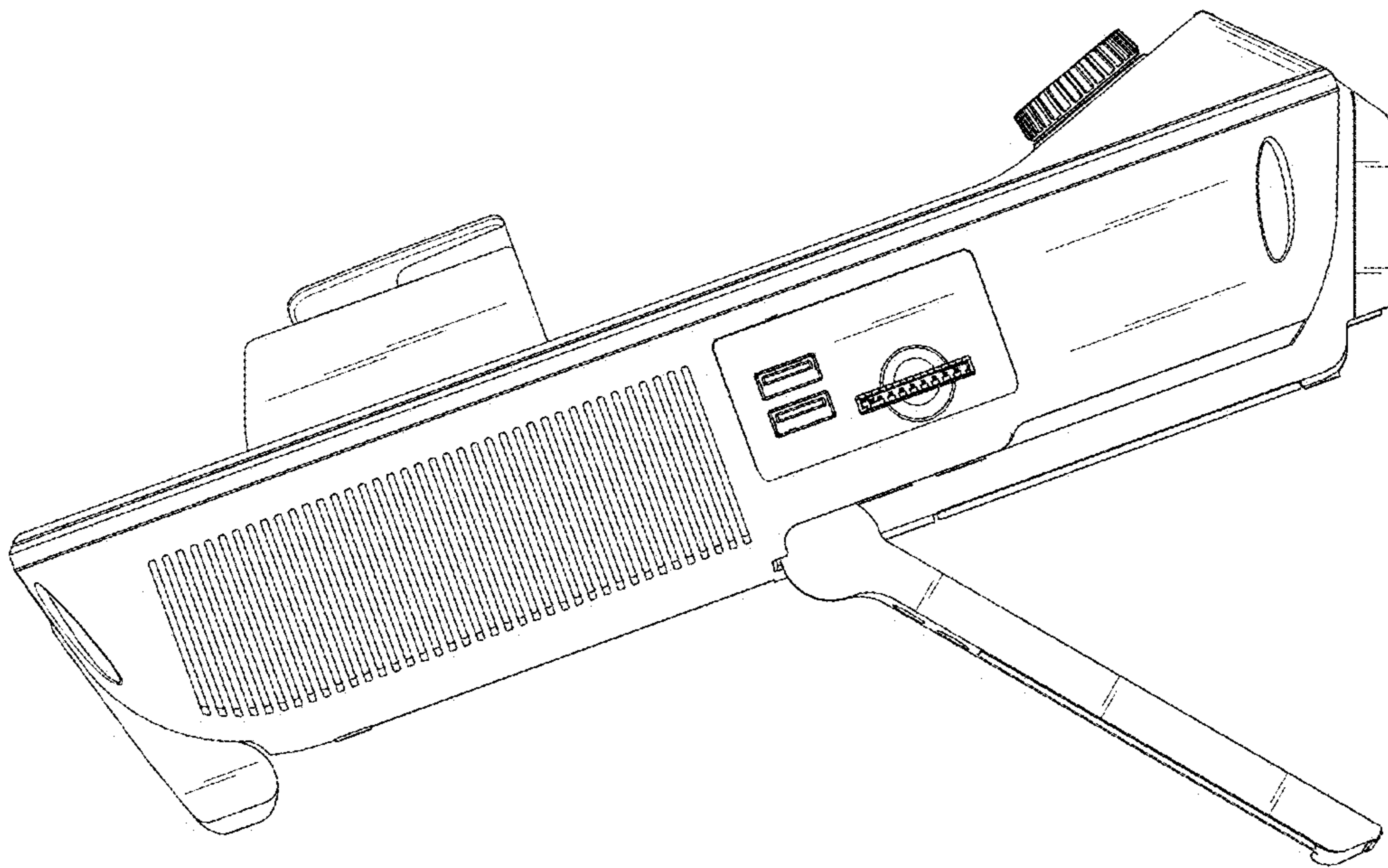


FIG. 5

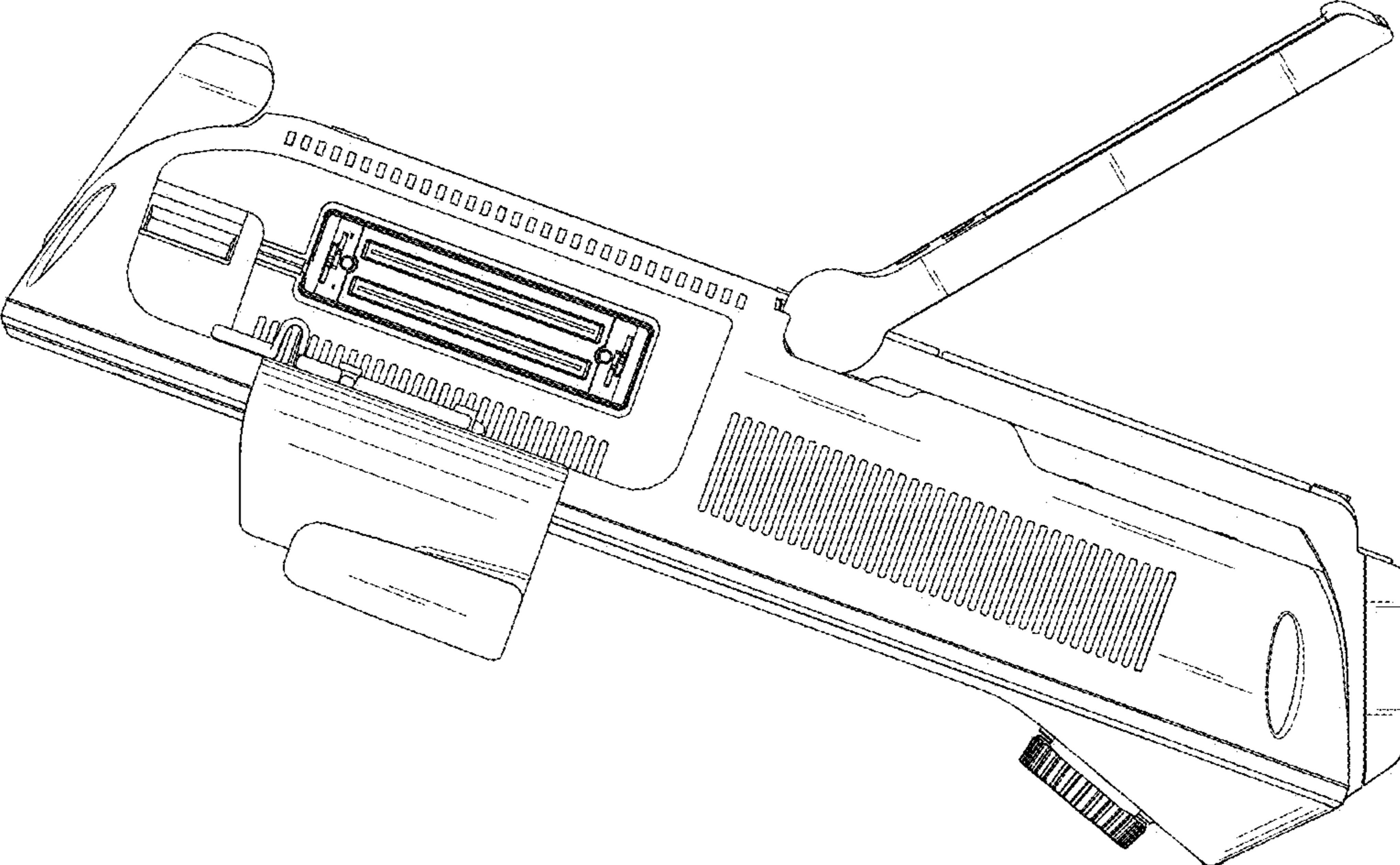


FIG. 6

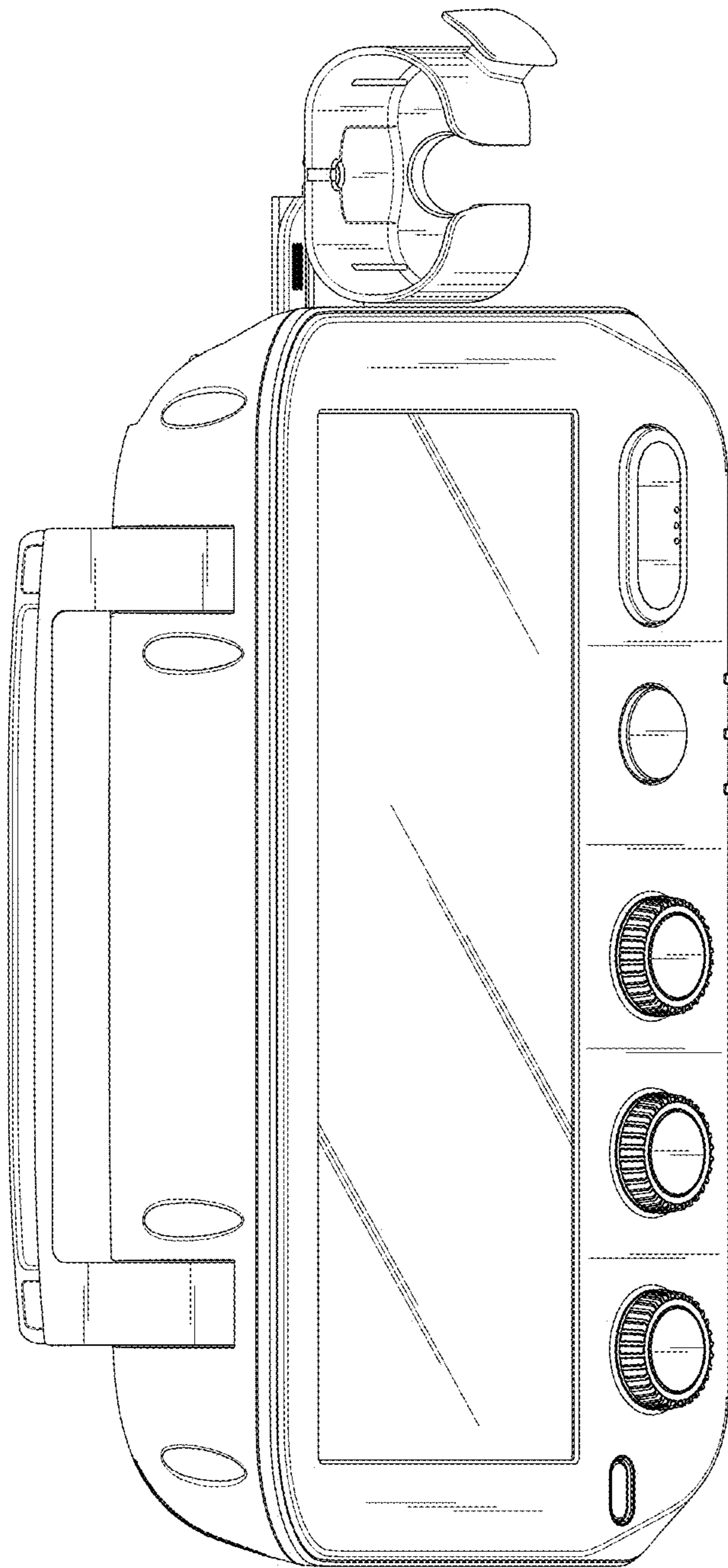


FIG. 7

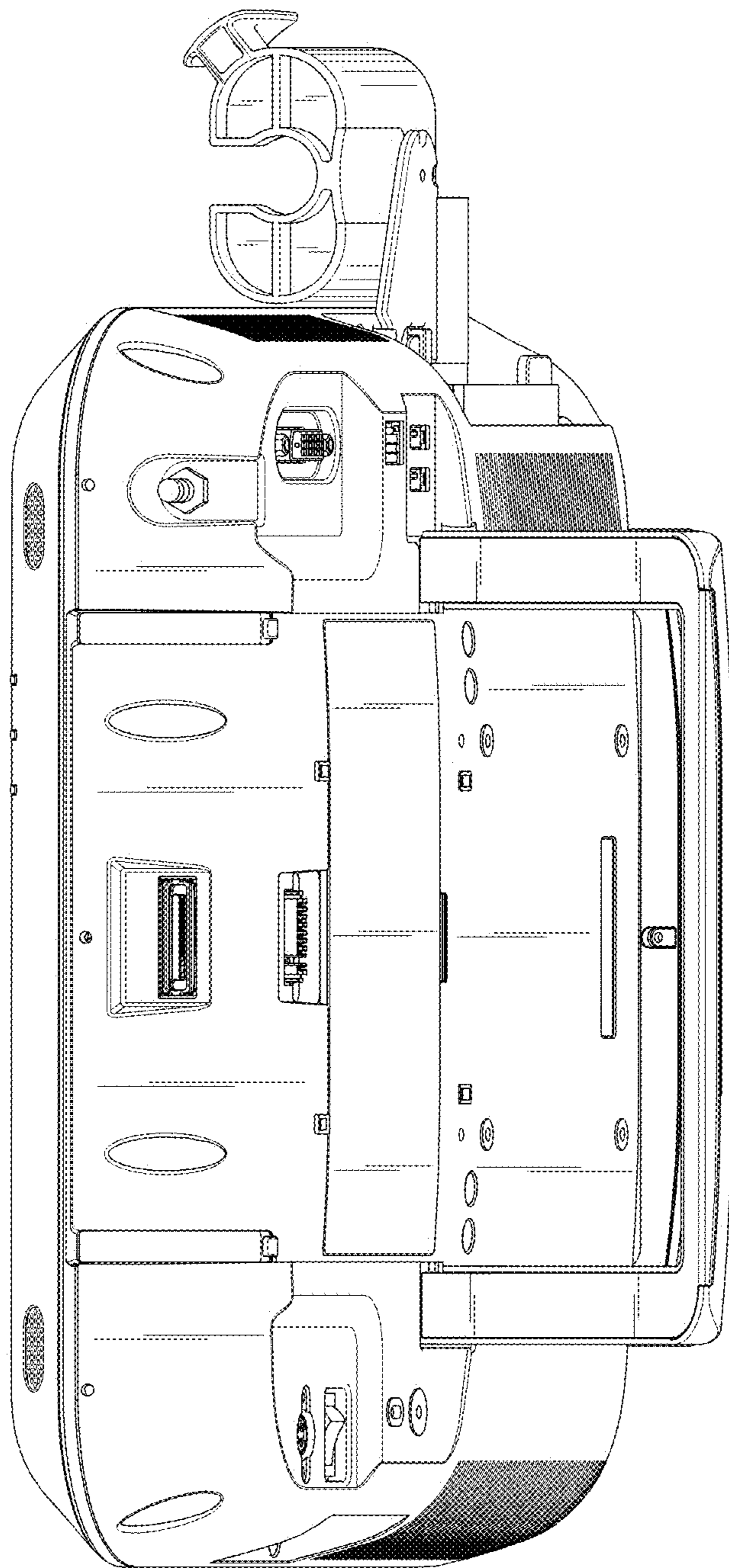


FIG. 8

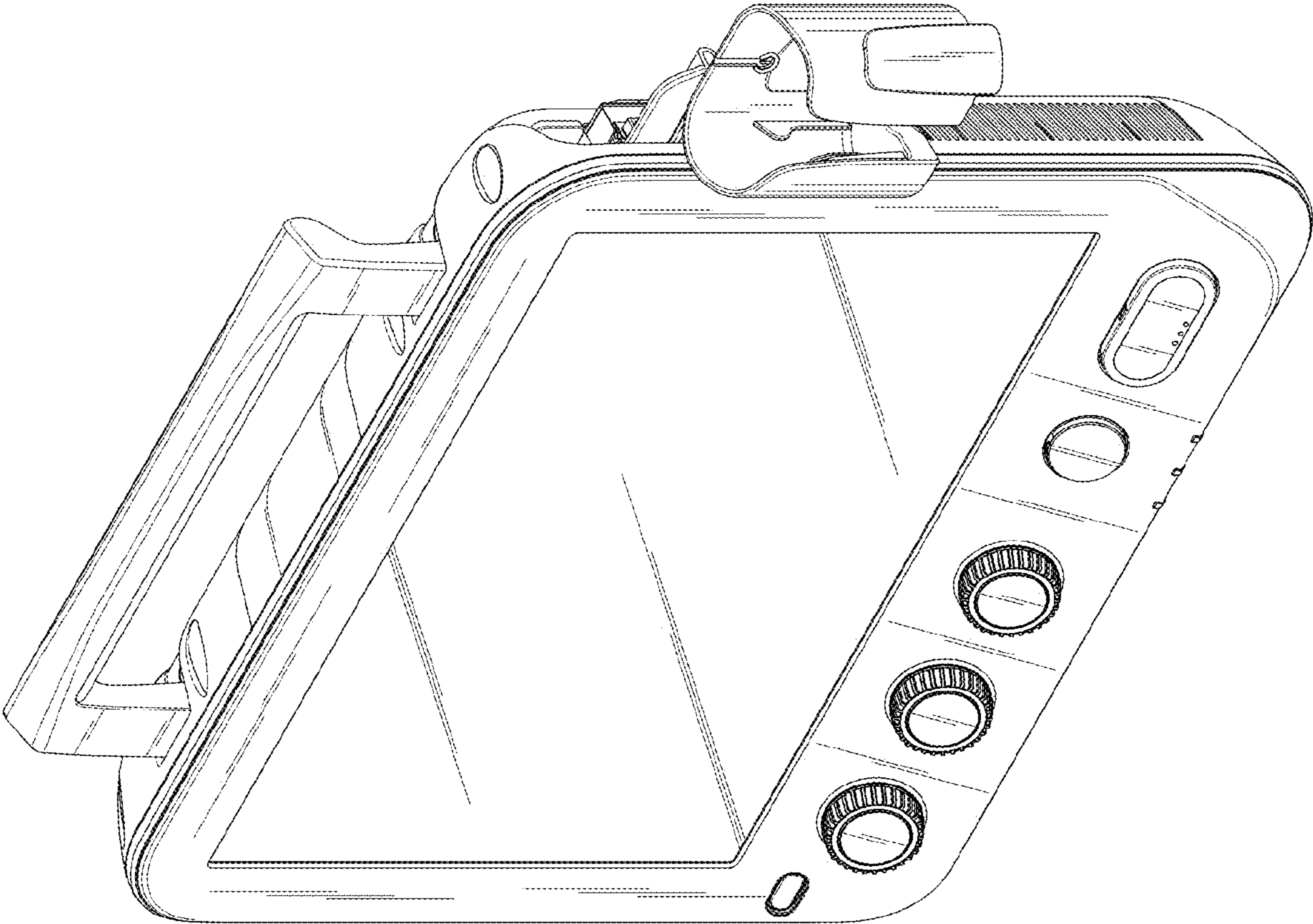


FIG. 9