



US00D871588S

(12) **United States Design Patent** (10) **Patent No.:** **US D871,588 S**
Schultz et al. (45) **Date of Patent:** **** Dec. 31, 2019**

(54) **MEDICAL CONSOLE**
(71) Applicant: **Avail Medsystems, Inc.**, Palo Alto, CA (US)
(72) Inventors: **David Paul Schultz**, San Jose, CA (US); **Adam Daniel John**, San Jose, CA (US)
(73) Assignee: **AVAIL MEDSYSTEMS, INC.**, Palo Alto, CA (US)
(**) Term: **15 Years**

5,872,892 A 2/1999 Brown et al.
5,971,572 A 10/1999 Rouchon et al.
D447,567 S * 9/2001 Murphy D24/172
6,343,601 B1 2/2002 Kiske et al.
D467,001 S * 12/2002 Buczek D24/172
6,641,039 B2* 11/2003 Southard A61B 90/96
235/385
D486,915 S * 2/2004 Warschewske D24/185
D518,267 S * 3/2006 Arceta D24/185
D550,362 S * 9/2007 Olivera D24/185
D567,381 S * 4/2008 Olivera D24/185
7,562,883 B2* 7/2009 Livengood A61G 12/001
280/43.17
D613,866 S * 4/2010 Tanaka D24/185
D613,867 S * 4/2010 Tanaka D24/185

(Continued)

(21) Appl. No.: **29/562,031**

(22) Filed: **Apr. 21, 2016**

(51) **LOC (12) Cl.** **24-02**

(52) **U.S. Cl.**
USPC **D24/185**

(58) **Field of Classification Search**
USPC D24/185, 186, 177, 172, 164, 167;
D10/81; D13/112; 604/29; 128/DIG. 1;
219/121.74; 348/825, 77
CPC A61M 1/28; A61M 5/007; A61B 6/447;
A61B 18/201; H04N 7/185; G09B 5/06
See application file for complete search history.

(56) **References Cited**

U.S. PATENT DOCUMENTS

4,473,074 A * 9/1984 Vassiliadis A61B 18/201
219/121.74
4,585,436 A * 4/1986 Davis A61M 1/28
604/29
D285,001 S * 8/1986 Denis D24/167
4,625,731 A * 12/1986 Quedens A61B 6/447
348/825
4,695,271 A * 9/1987 Goethel A61M 5/007
128/DIG. 1
4,753,473 A 6/1988 Arnett et al.
4,778,329 A 10/1988 Phillips et al.
D387,168 S * 12/1997 Edelman D24/186

OTHER PUBLICATIONS

U.S. Appl. No. 15/498,273 Office Action dated Jan. 30, 2019.
U.S. Appl. No. 15/498,273 Office Action dated Aug. 14, 2019.

Primary Examiner — Rhea Shields

(74) *Attorney, Agent, or Firm* — Wilson Sonsini Goodrich & Rosati

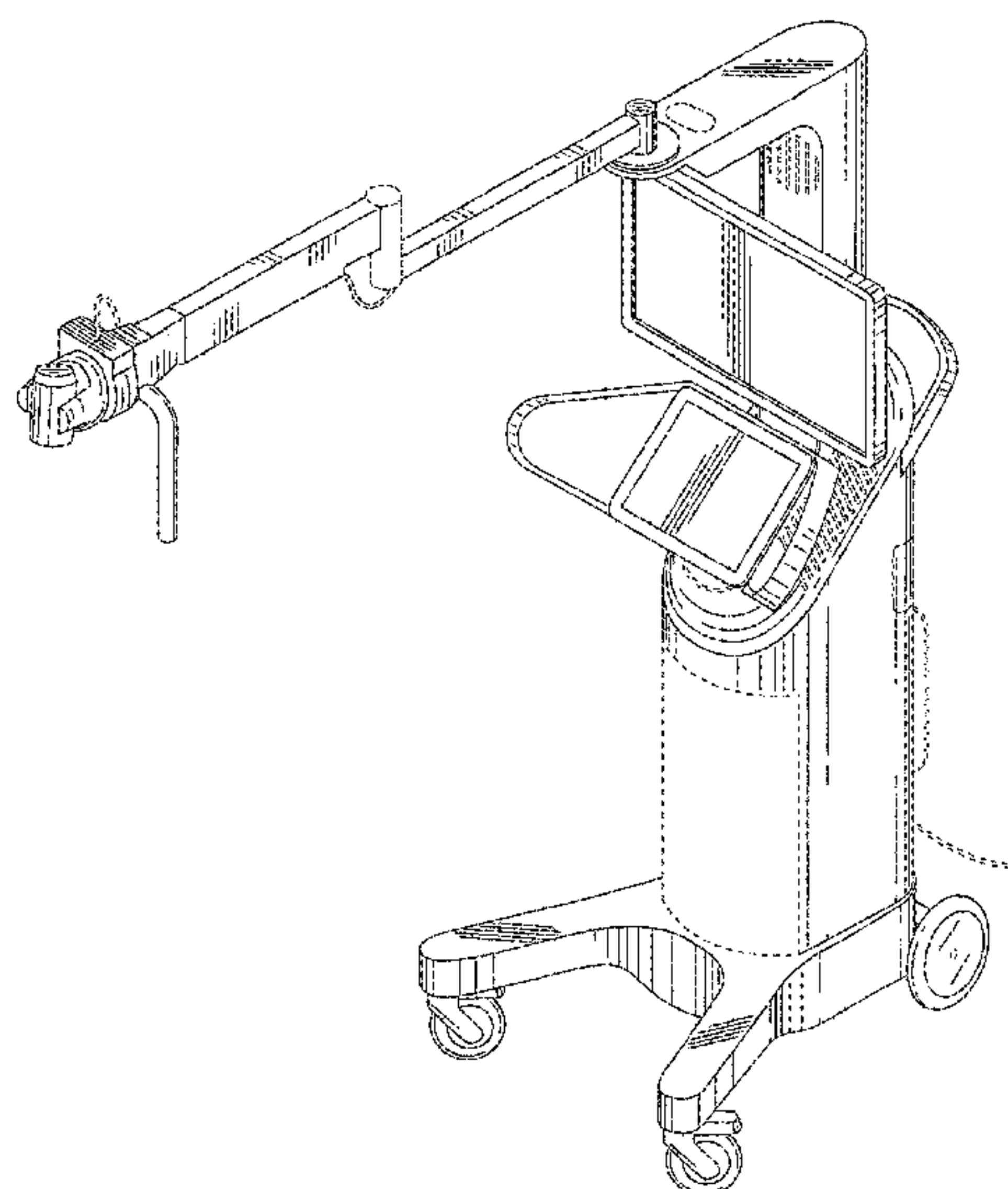
(57) **CLAIM**

The ornamental design for a medical console, as shown and described.

DESCRIPTION

FIG. 1 is an isometric view of a medical console;
FIG. 2 is a front side view thereof;
FIG. 3 is a back side view thereof;
FIG. 4 is a right side plan view thereof;
FIG. 5 is a left side plan view thereof;
FIG. 6 is a bottom side view thereof; and,
FIG. 7 is a top side view thereof.
In the drawings, the broken lines are for the purpose of illustrating environment only and form no part of the claimed design.

1 Claim, 7 Drawing Sheets



(56)

References Cited

U.S. PATENT DOCUMENTS

D652,521 S * 1/2012 Ross D24/185
D652,936 S * 1/2012 Ross D24/185
8,092,426 B2 * 1/2012 Molnar A61B 8/4218
600/439
D692,563 S * 10/2013 Naef D24/172
D712,833 S * 9/2014 George D13/112
D726,324 S * 4/2015 Duncan D24/177
D734,475 S * 7/2015 Ross D24/185
D735,342 S * 7/2015 Asad D24/185
D743,036 S * 11/2015 Boukhny D24/172
D746,475 S * 12/2015 Mongin D24/185
D750,787 S * 3/2016 Asad D24/185
D751,209 S * 3/2016 DiMino D24/185
D767,423 S * 9/2016 Choudhary D10/81
D776,279 S * 1/2017 Newman D24/164
D792,974 S * 7/2017 Roth D24/185
D807,510 S * 1/2018 Newman D24/164
D816,232 S * 4/2018 Asad D24/186
2005/0052527 A1 3/2005 Remy et al.
2006/0119701 A1 6/2006 King
2009/0240371 A1 9/2009 Wang et al.
2009/0318770 A1 12/2009 Marka et al.
2010/0115418 A1 5/2010 Wang et al.
2011/0288684 A1 11/2011 Farlow et al.
2012/0126503 A1 5/2012 Butler et al.
2012/0303476 A1 11/2012 Krzyzanowski et al.
2012/0306994 A1 12/2012 Schwartz
2013/0248598 A1 9/2013 Dehnadi
2014/0135990 A1 5/2014 Stuart et al.
2014/0218282 A1 8/2014 Hung
2016/0119593 A1 * 4/2016 Schultz H04N 7/185
348/77
2017/0316705 A1 * 11/2017 Schultz G09B 5/06

* cited by examiner

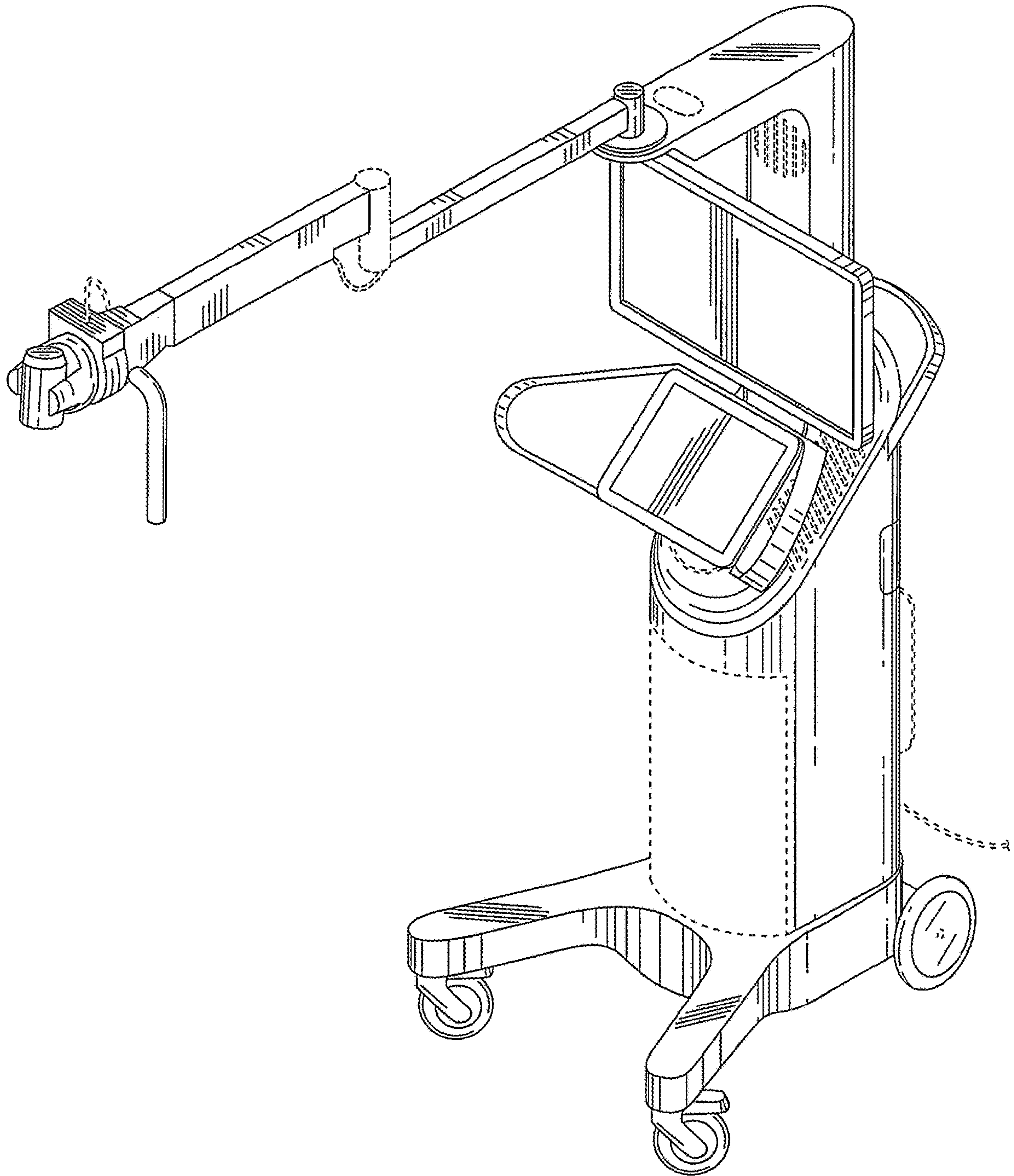


FIG. 1

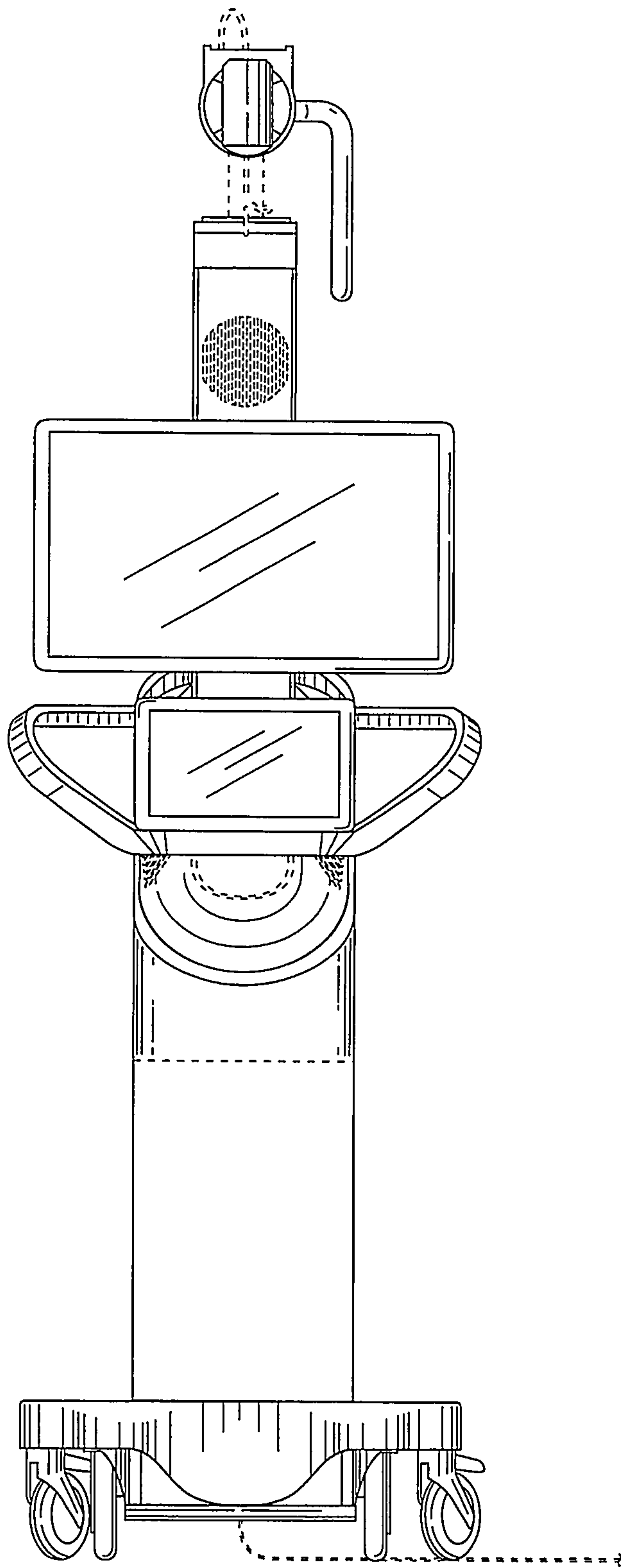


FIG. 2

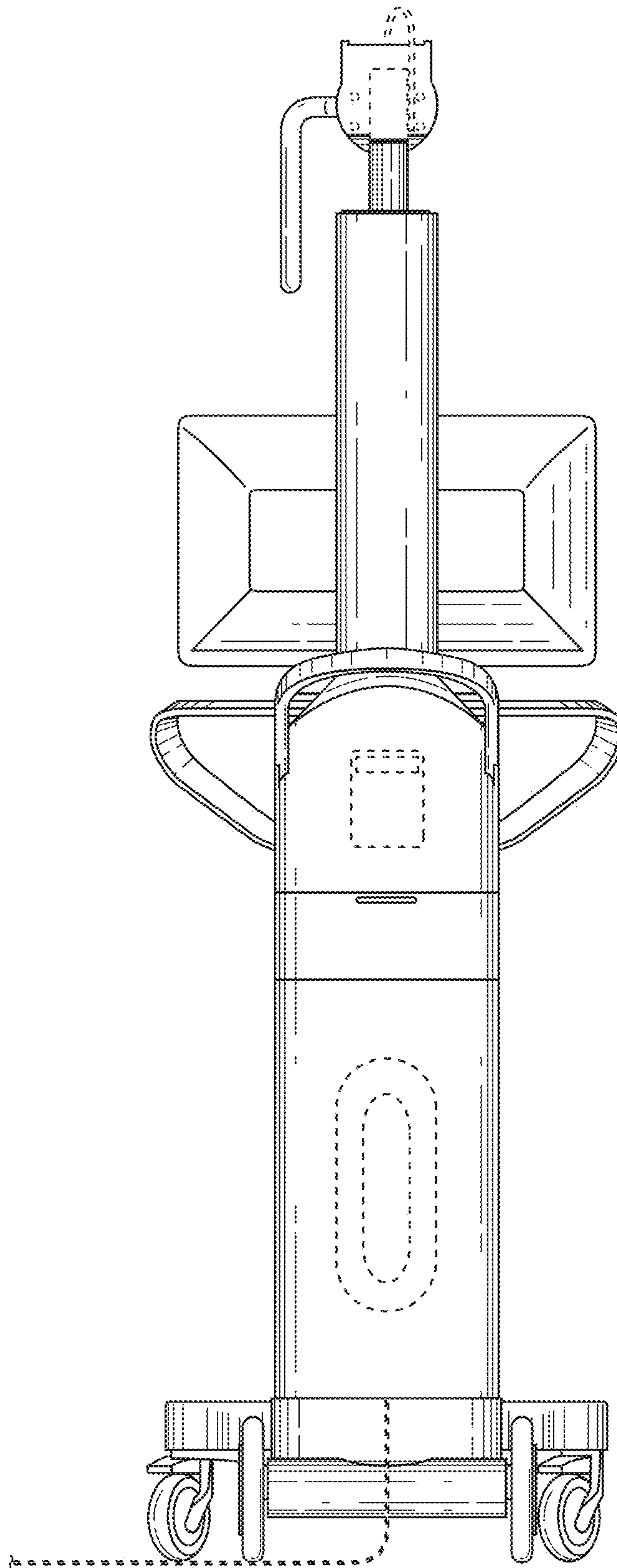


FIG. 3

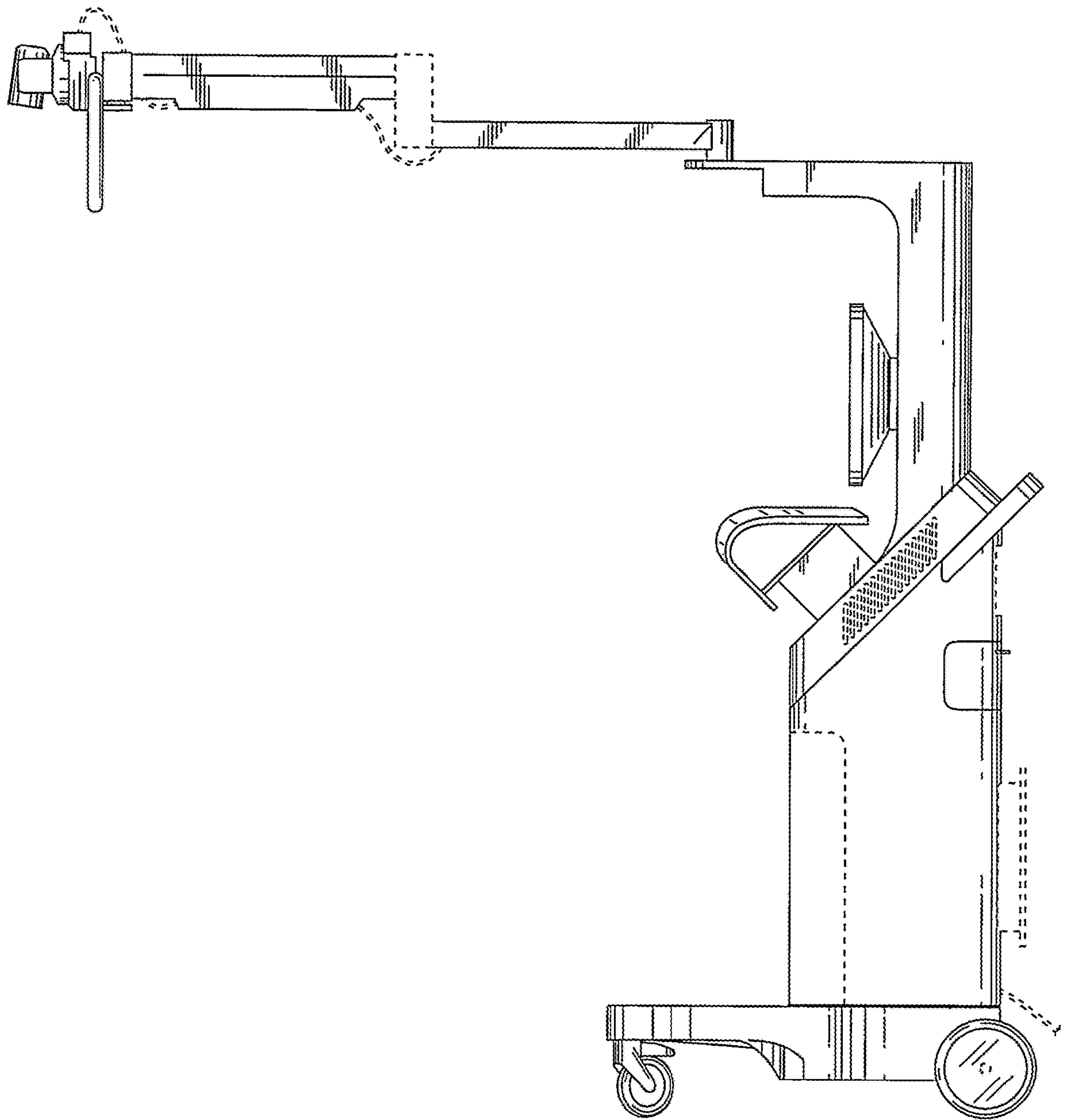


FIG. 4

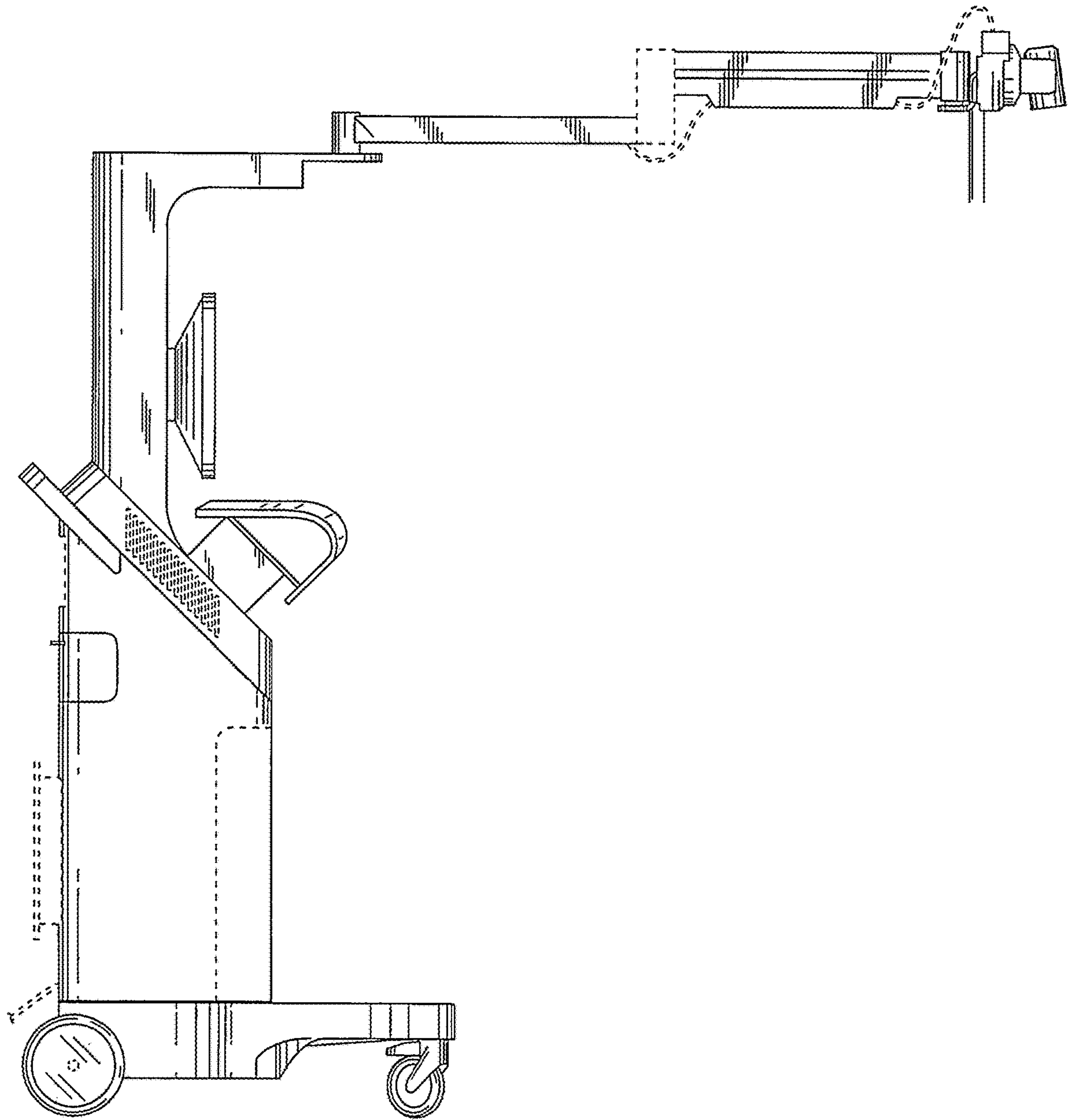


FIG. 5

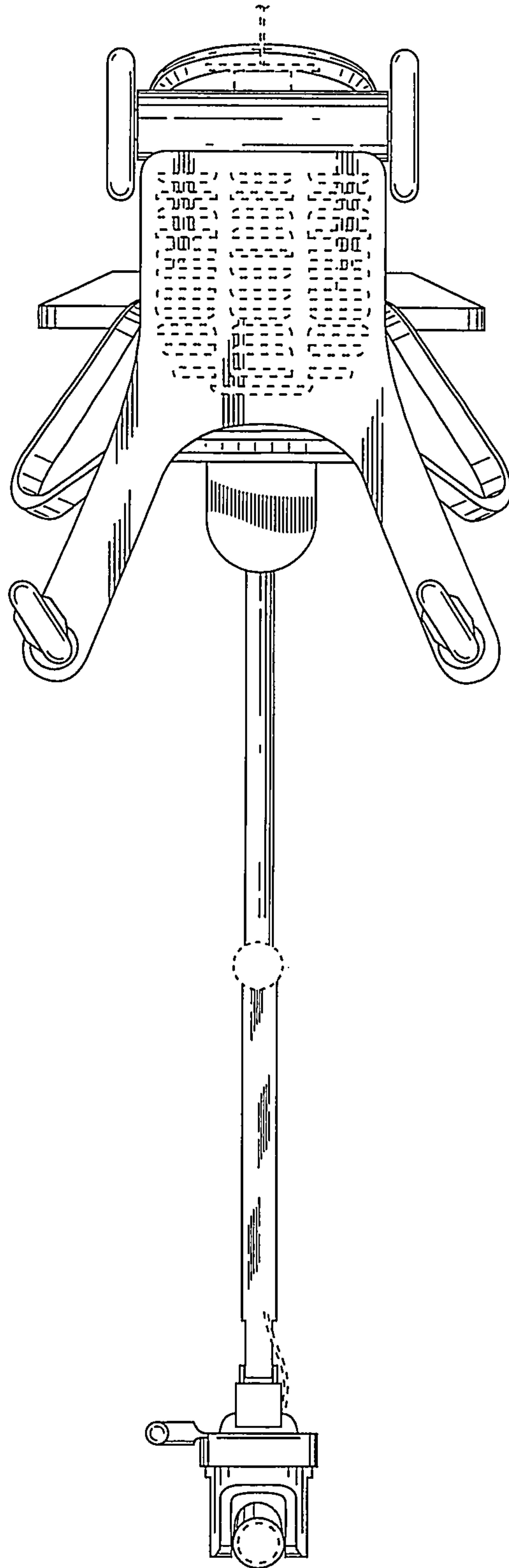


FIG. 6

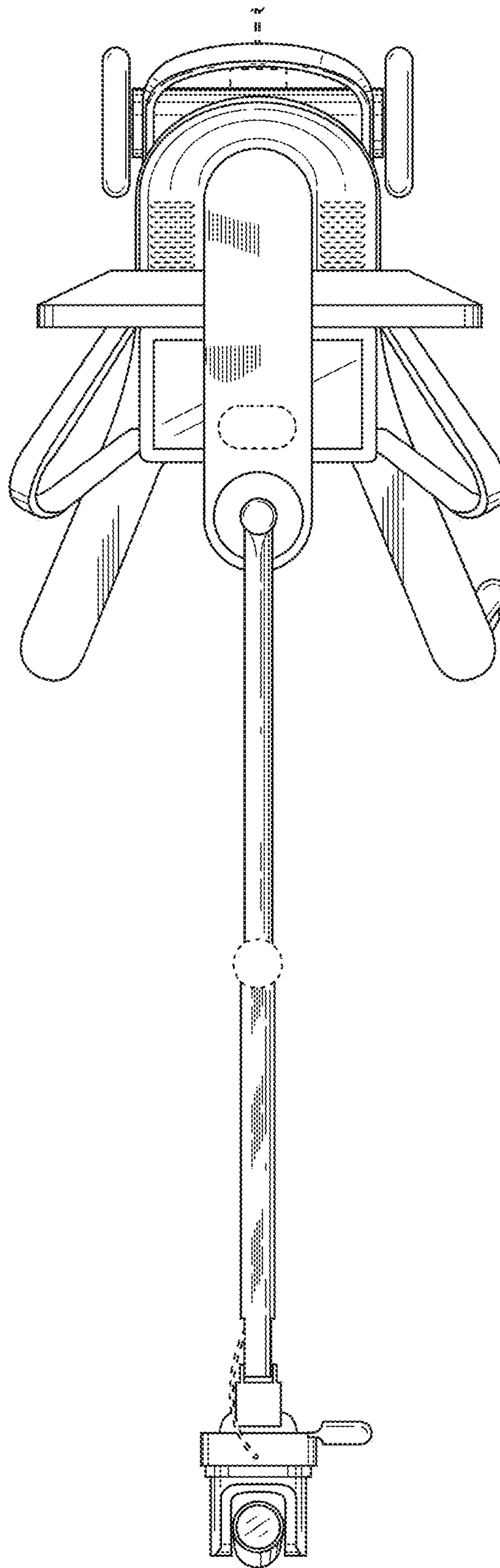


FIG. 7