



US00D871587S

(12) **United States Design Patent** (10) **Patent No.:** **US D871,587 S**  
**Lei** (45) **Date of Patent:** **\*\* Dec. 31, 2019**

(54) **SUPPORTING KNEE PAD**  
(71) Applicant: **Dongliang Lei**, Hu'nan (CN)  
(72) Inventor: **Dongliang Lei**, Hu'nan (CN)  
(\*\*) Term: **15 Years**  
(21) Appl. No.: **29/705,587**  
(22) Filed: **Sep. 13, 2019**  
(51) **LOC (12) Cl.** ..... **24-02**  
(52) **U.S. Cl.**  
USPC ..... **D24/171**  
(58) **Field of Classification Search**  
USPC .... D24/171, 190, 206, 125, 192; D29/121.1  
CPC .. A61F 5/0102; A61F 5/05841; A61F 13/062;  
A61F 5/0109; A61F 2/601; A61F 13/061;  
A61F 5/0123; A61F 7/02  
See application file for complete search history.

5,267,951 A \* 12/1993 Ishii ..... A61F 13/061  
602/14  
5,300,016 A \* 4/1994 Marlatt ..... A61F 2/601  
135/69  
5,306,230 A \* 4/1994 Bodine ..... A61F 5/0102  
602/16  
D357,747 S \* 4/1995 Kelly ..... D24/206  
D399,968 S \* 10/1998 Petersen ..... D24/190  
D448,084 S \* 9/2001 Hopwood ..... D24/190  
D510,626 S \* 10/2005 Krahner ..... D24/206  
D568,482 S \* 5/2008 Gramza ..... D24/190  
D687,154 S \* 7/2013 Chen ..... D24/190  
D800,327 S \* 10/2017 Dawson ..... D24/190  
D802,223 S \* 11/2017 Quantz ..... D29/121.1

**OTHER PUBLICATIONS**

“Knee Protection Booster”. found on the internet on Nov. 12, 2019 by RMS at: [https://www.amazon.com/Protection-Booster-Support-Powerful-Soreness/dp/B07YVJ47RY/ref=sr\\_1\\_6?keywords=knee+protection+booster&qid=1573538520&sr=8-6](https://www.amazon.com/Protection-Booster-Support-Powerful-Soreness/dp/B07YVJ47RY/ref=sr_1_6?keywords=knee+protection+booster&qid=1573538520&sr=8-6).\*

\* cited by examiner

*Primary Examiner* — Rhea Shields

(74) *Attorney, Agent, or Firm* — Justin Lampel

(56) **References Cited**

**U.S. PATENT DOCUMENTS**

4,353,362 A \* 10/1982 DeMarco ..... A61F 5/0109  
602/26  
4,466,428 A \* 8/1984 McCoy ..... A61F 13/062  
602/26  
4,924,894 A \* 5/1990 Martinez ..... A61F 2/601  
135/65  
D312,147 S \* 11/1990 Lapin ..... D24/192  
4,986,264 A \* 1/1991 Miller ..... A61F 5/0123  
602/16  
5,072,875 A \* 12/1991 Zaco ..... A61F 7/02  
607/104  
D329,497 S \* 9/1992 Pryor ..... D24/206  
D334,827 S \* 4/1993 Brown ..... D24/190  
5,207,637 A \* 5/1993 Janke ..... A61F 5/0123  
602/16  
D336,548 S \* 6/1993 Zeller ..... D24/125  
5,230,697 A \* 7/1993 Castillo ..... A61F 5/0123  
602/16  
5,248,292 A \* 9/1993 Holland ..... A61F 5/05841  
602/20

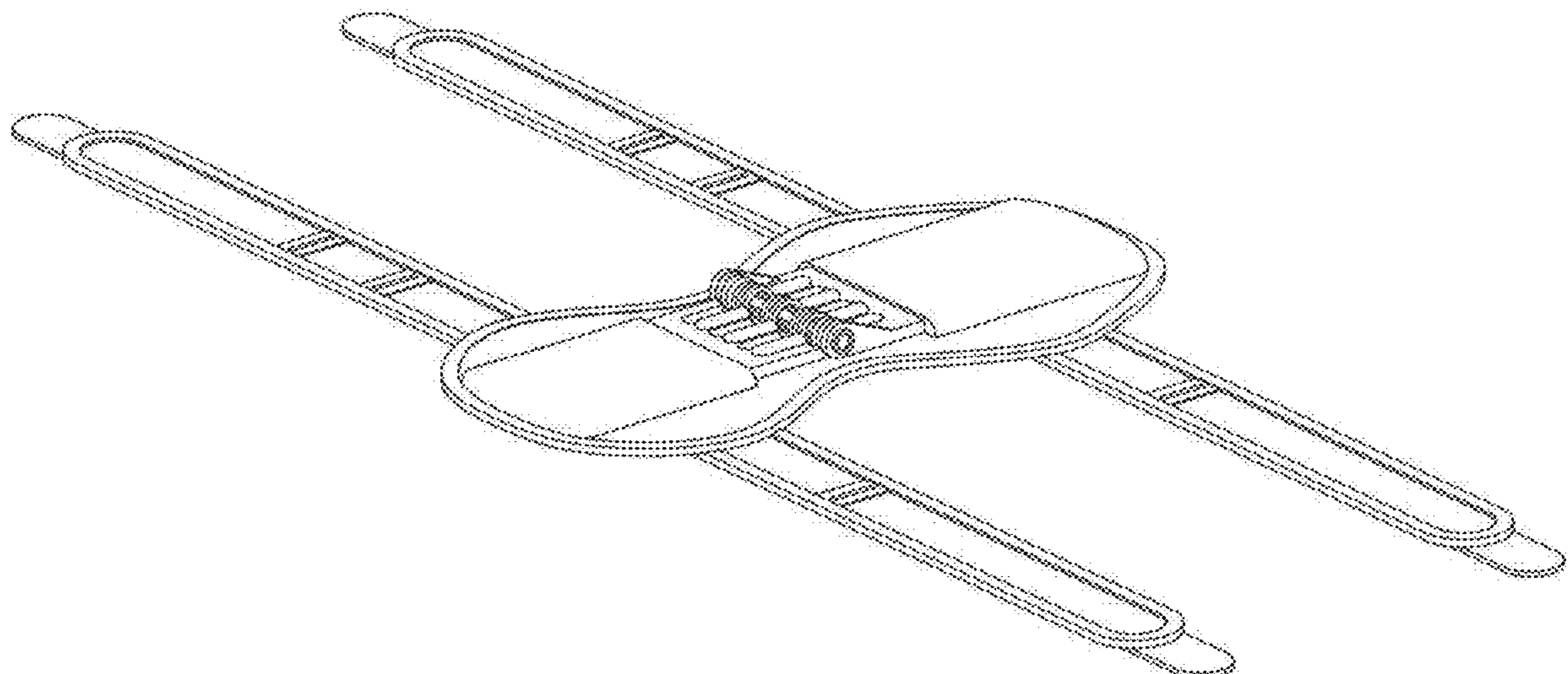
(57) **CLAIM**

The ornamental design for a supporting knee pad, as shown and described.

**DESCRIPTION**

FIG. 1 is a perspective view of a supporting knee pad showing the claimed design;  
FIG. 2 is a top view thereof;  
FIG. 3 is a side view thereof;  
FIG. 4 is a bottom view thereof;  
FIG. 5 is a front view thereof;  
FIG. 6 is a side view thereof; and,  
FIG. 7 is a back view thereof.

**1 Claim, 7 Drawing Sheets**



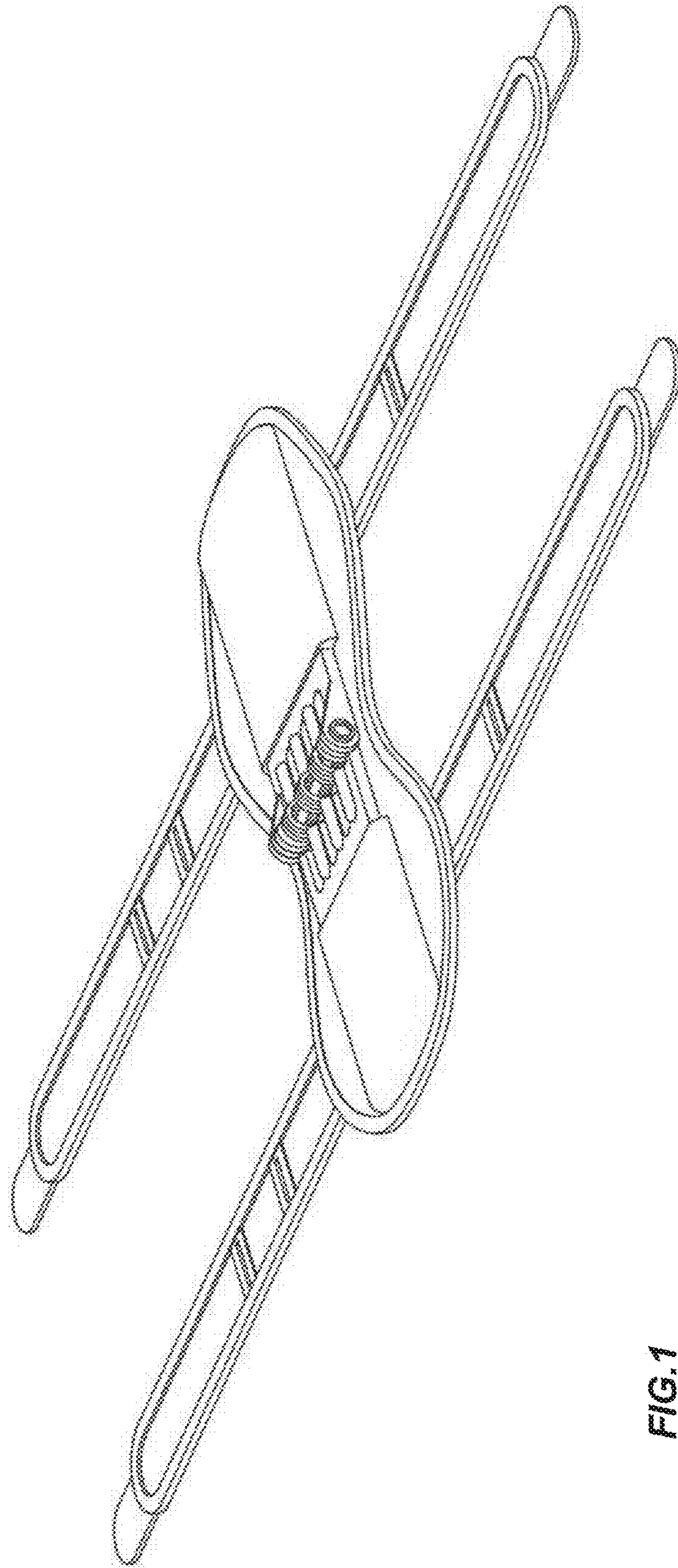


FIG.1

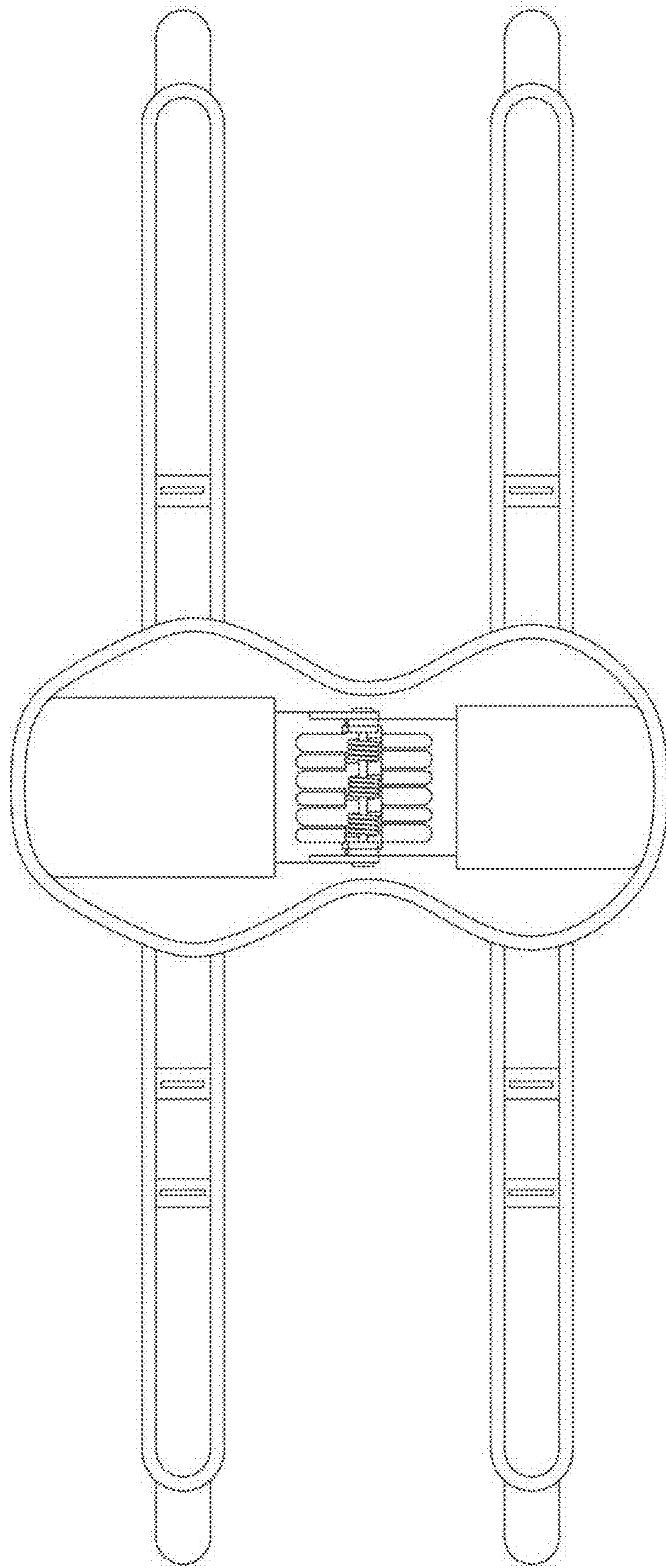


FIG.2

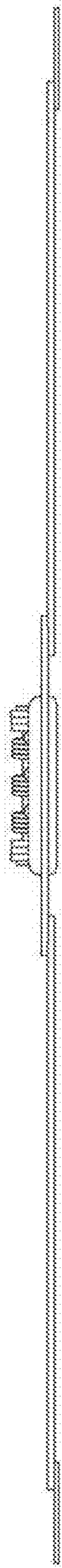


FIG. 3

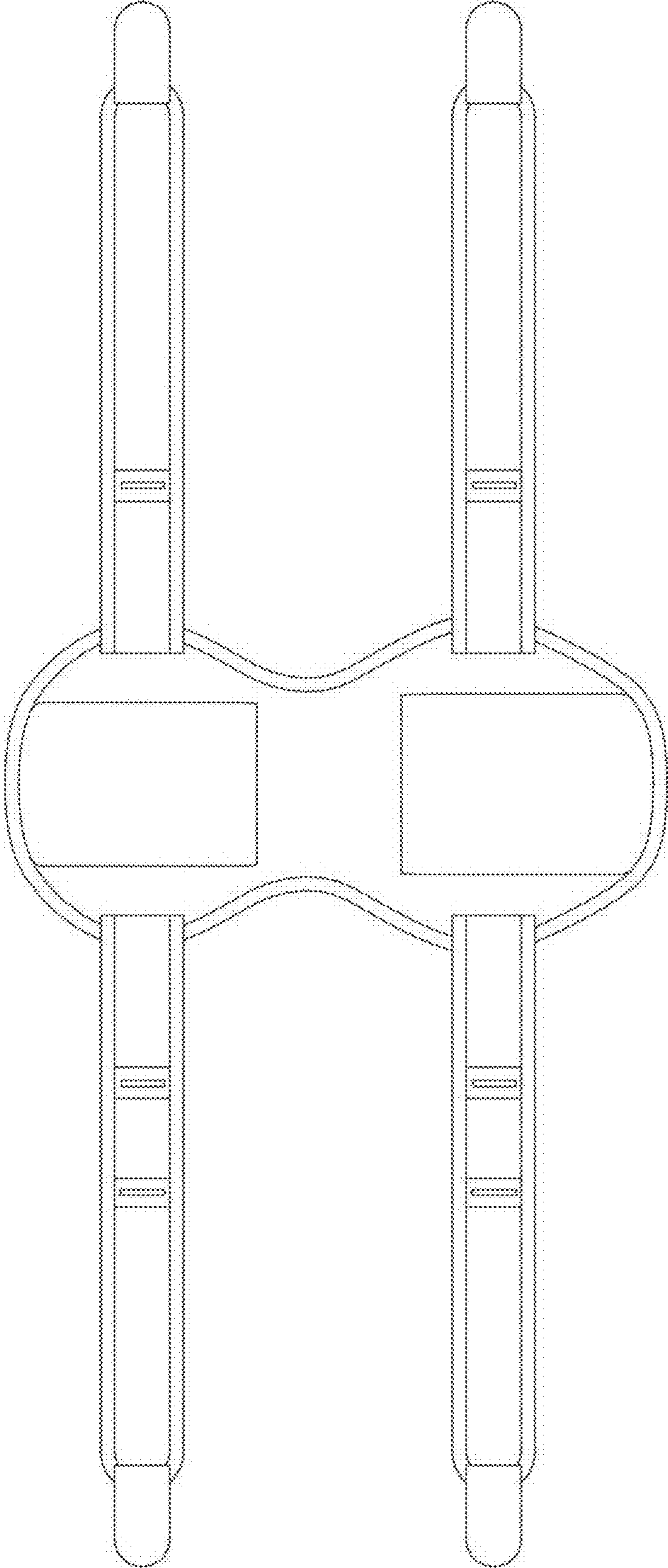


FIG.4

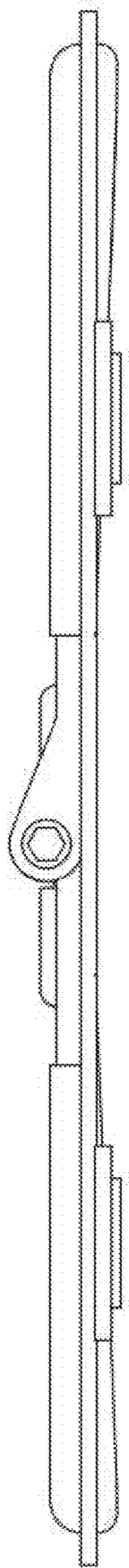


FIG.5



FIG. 6

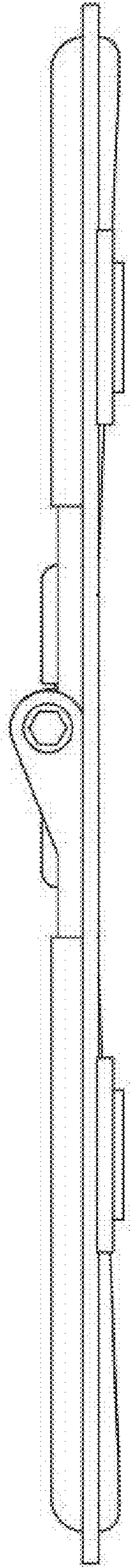


FIG.7