

US00D871584S

(12) **United States Design Patent**
Hirasawa et al.

(10) **Patent No.:** **US D871,584 S**

(45) **Date of Patent:** **** Dec. 31, 2019**

(54) **SPHYGMOMANOMETER WITH ELECTROCARDIOGRAPH**

D609,344 S * 2/2010 Hara D24/165
D661,810 S * 6/2012 Zanoni D24/186
D683,034 S * 5/2013 Shigeno D24/186
D830,324 S * 10/2018 Stawski D24/186

(71) Applicant: **OMRON HEALTHCARE Co., Ltd.**,
Muko-shi, Kyoto (JP)

* cited by examiner

(72) Inventors: **Asa Hirasawa**, Muko (JP); **Tsuyoshi Ogihara**, Muko (JP); **Kengo Nishiyama**, Muko (JP); **Kosuke Inoue**, Muko (JP)

Primary Examiner — Anhdao Doan

(74) *Attorney, Agent, or Firm* — Capitol City TechLaw

(73) Assignee: **OMRON HEALTHCARE Co., Ltd.**,
Kyoto (JP)

(57) **CLAIM**

The ornamental design for a sphygmomanometer with electrocardiograph, as shown and described.

(**) Term: **15 Years**

(21) Appl. No.: **29/654,483**

(22) Filed: **Jun. 25, 2018**

DESCRIPTION

(30) **Foreign Application Priority Data**

Dec. 26, 2017 (JP) 2017-029157

(51) **LOC (12) Cl.** **24-02**

(52) **U.S. Cl.**
USPC **D24/165**

(58) **Field of Classification Search**
USPC D24/107, 164, 165–168, 186, 187;
D10/75, 70, 98; D14/374, 375, 376
CPC A61B 5/0402; A61B 5/0404; A61B 5/021;
A61B 5/024; A61B 5/02438; A61B
5/681; A61B 2560/0205; A61B
2560/0462
See application file for complete search history.

FIG. 1 is a front, top, and right side perspective view of a sphygmomanometer with electrocardiograph showing our new design;

FIG. 2 is a rear, top, and left side perspective view thereof; FIG. 3 is a front, bottom, and right side perspective view thereof;

FIG. 4 is a rear, bottom, and right side perspective view thereof;

FIG. 5 is a front view thereof;

FIG. 6 is a rear view thereof;

FIG. 7 is a top view thereof;

FIG. 8 is a bottom view thereof;

FIG. 9 is a right side view thereof;

FIG. 10 is a left side view thereof; and,

FIG. 11 is a view taken from the direction of arrow line 11 of FIG. 9 thereof.

The broken lines shown in the figures illustrate portions of the sphygmomanometer with electrocardiograph that form no part of the claimed design.

(56) **References Cited**

U.S. PATENT DOCUMENTS

D407,086 S * 3/1999 Rosen D14/132
D555,790 S * 11/2007 McCulloch D24/165

1 Claim, 11 Drawing Sheets

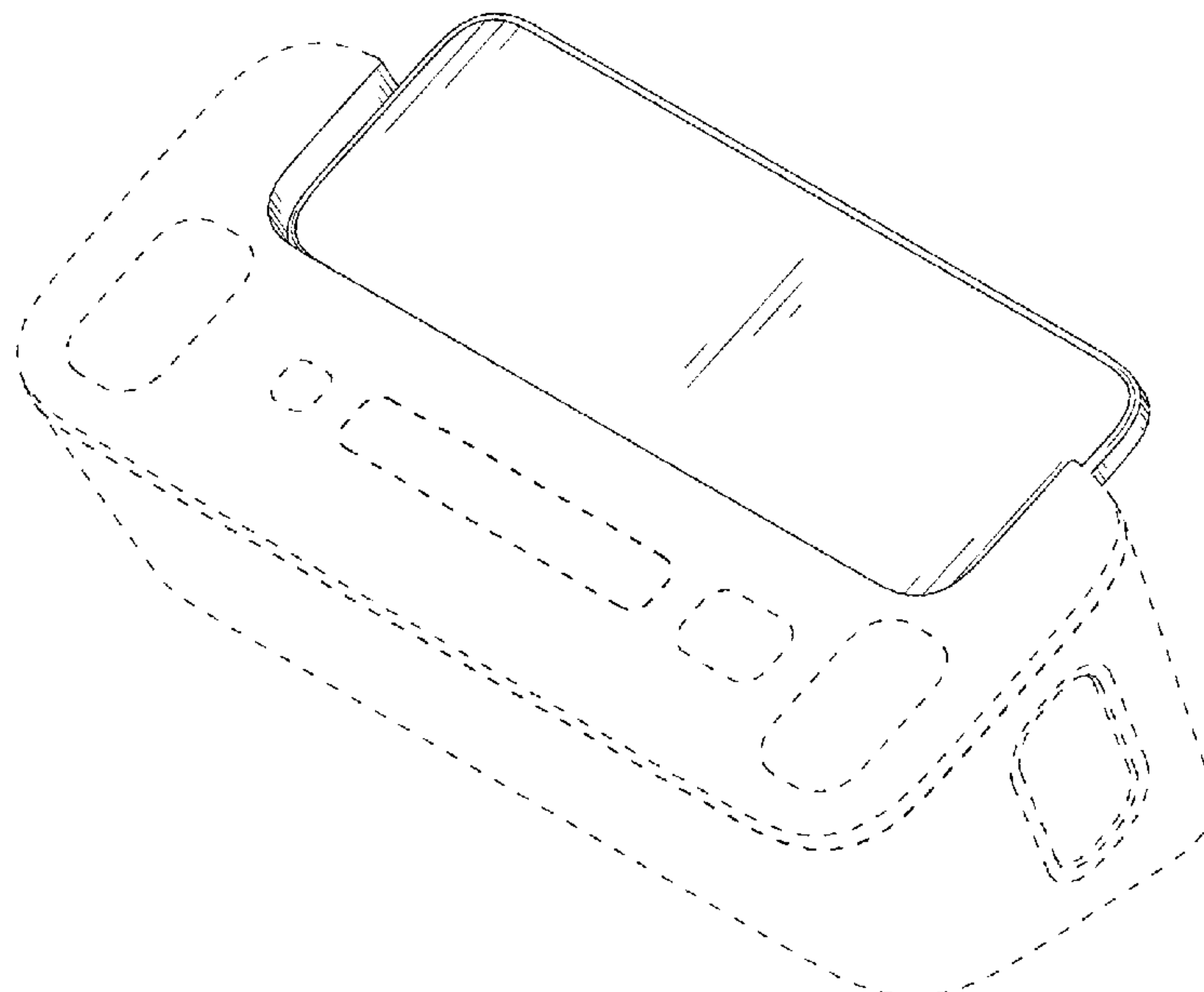


FIG. 1

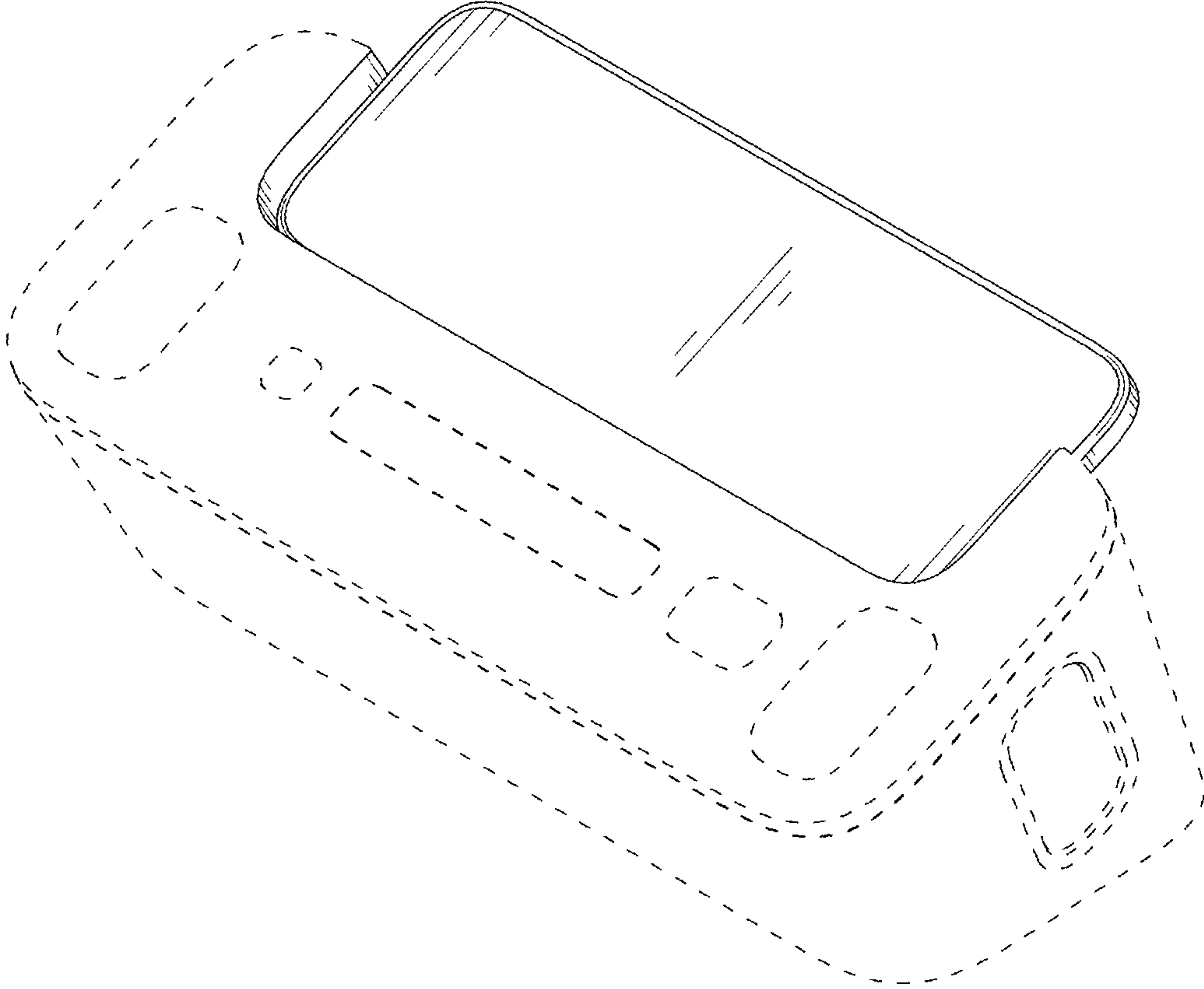


FIG.2

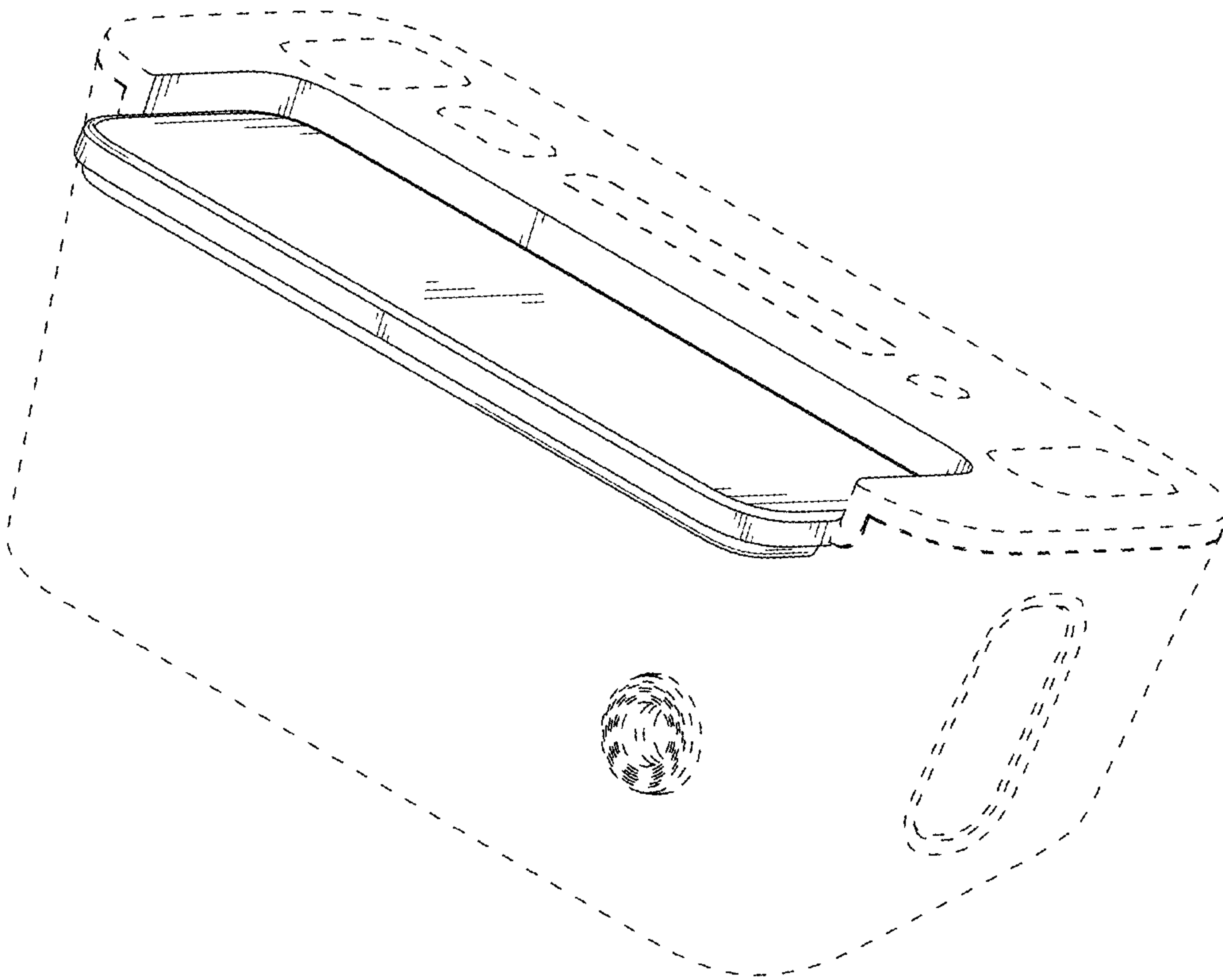


FIG.3

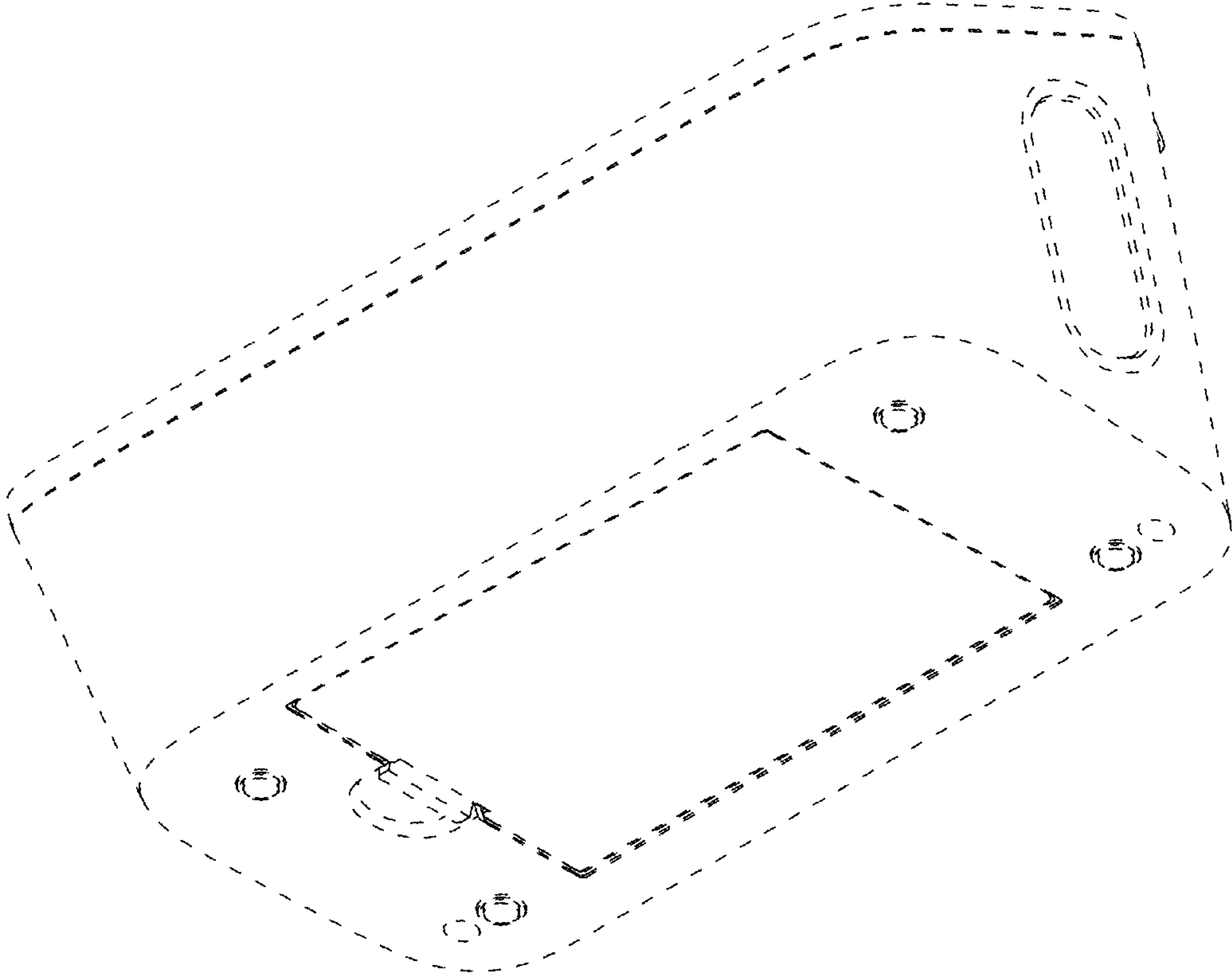


FIG.4

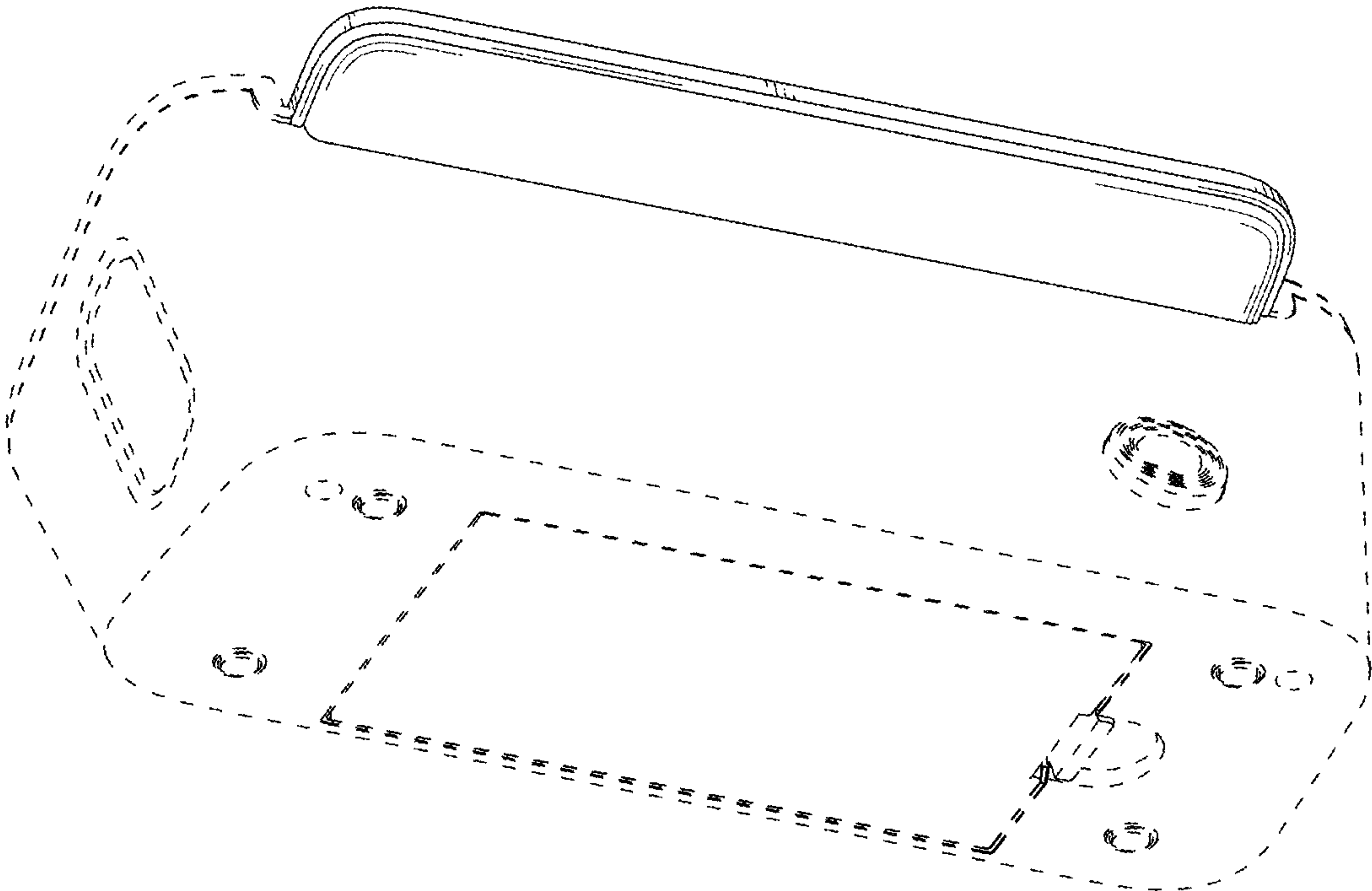


FIG.5

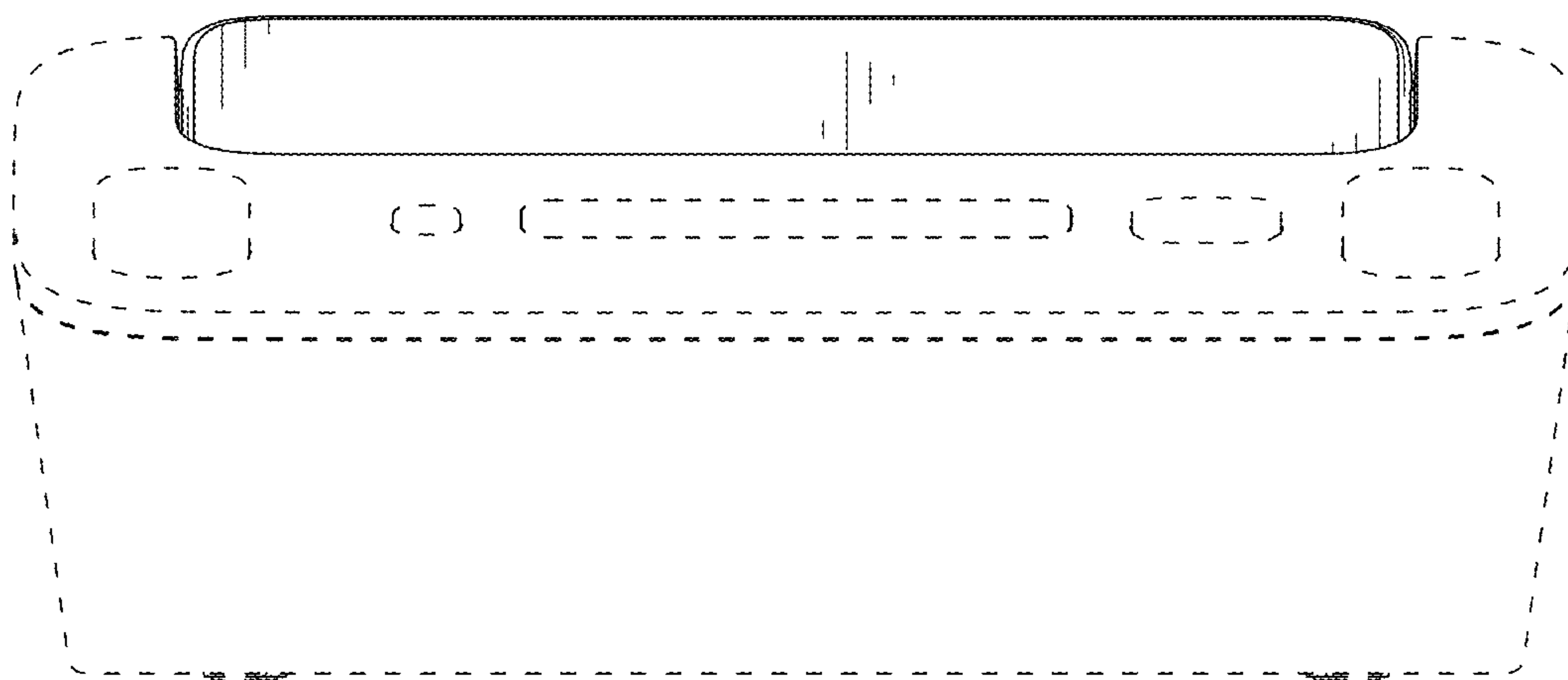


FIG.6

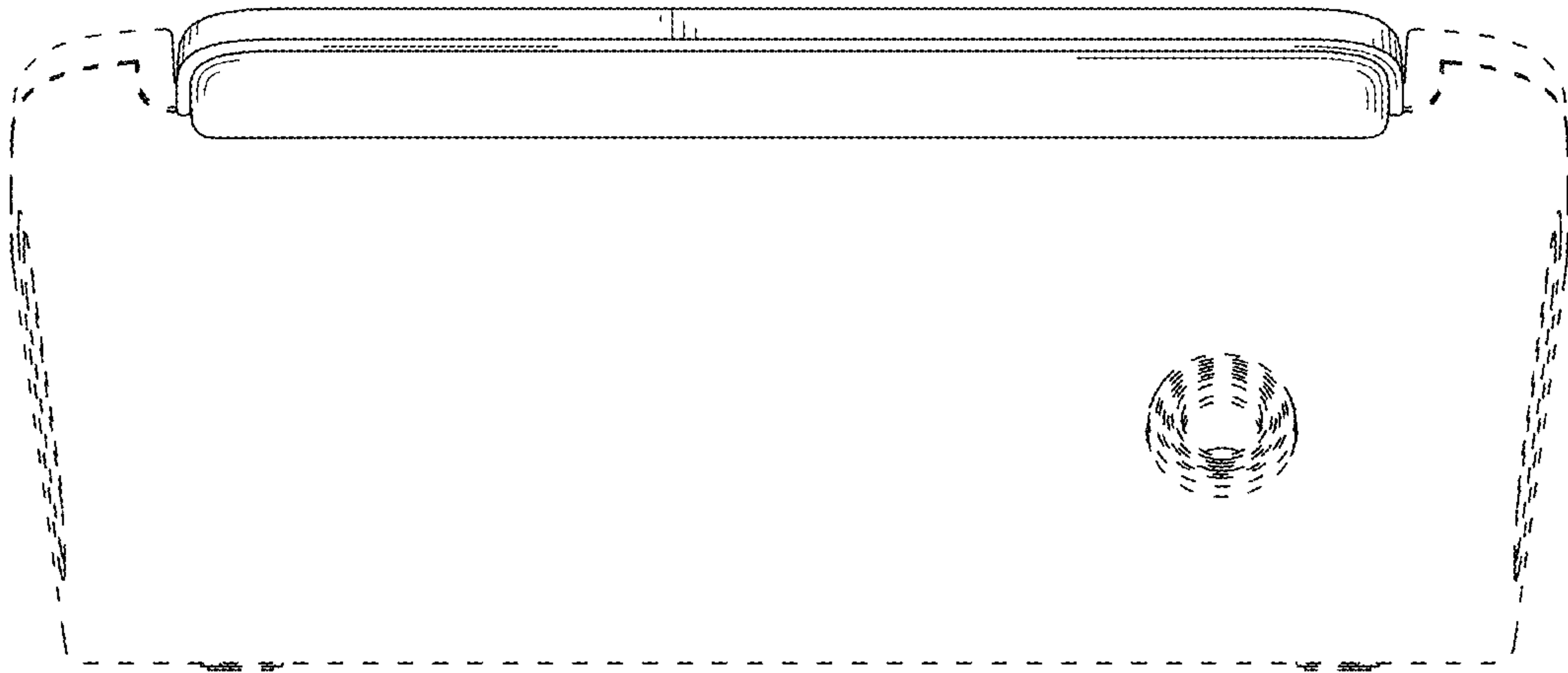


FIG.7

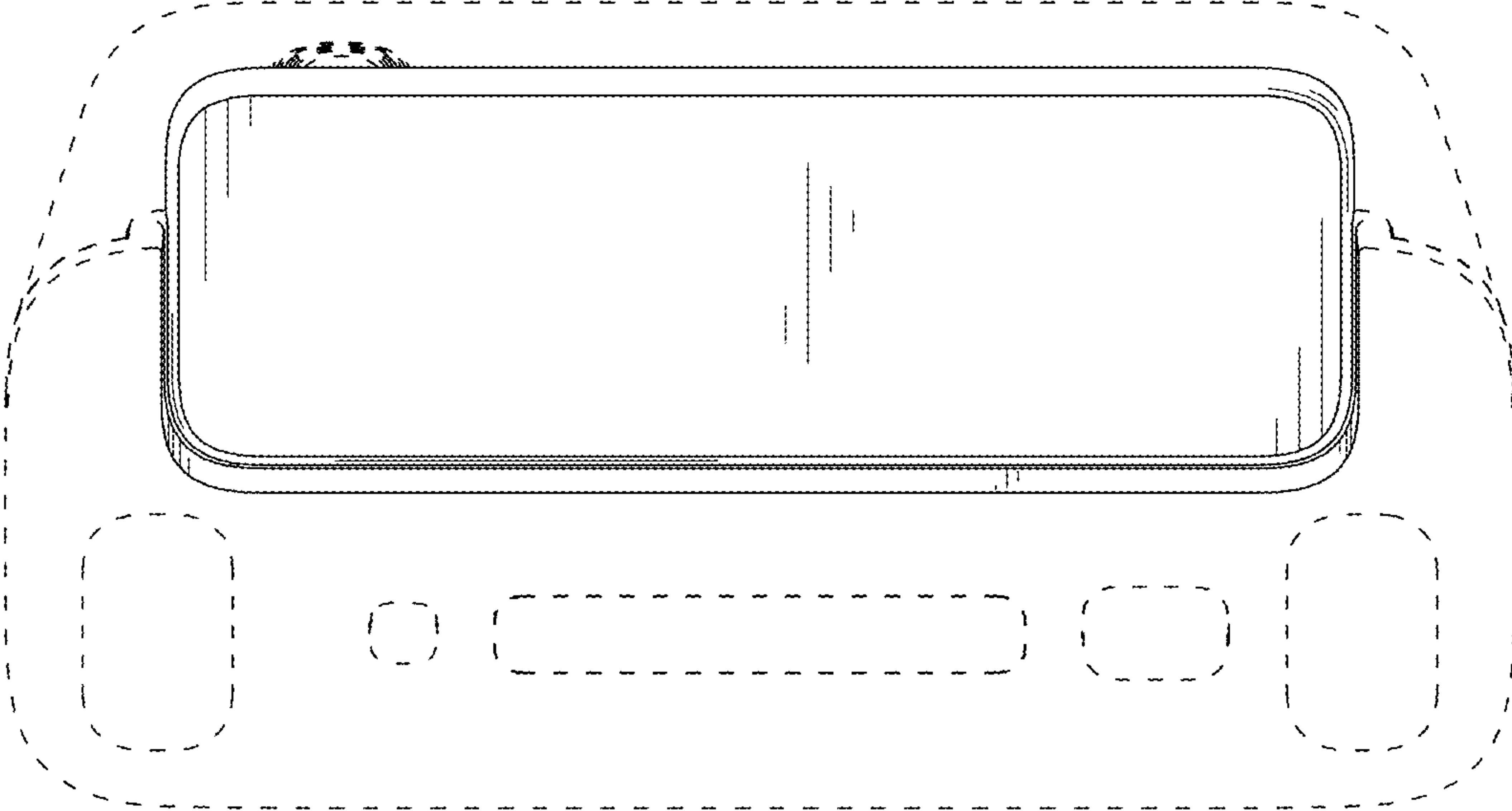


FIG.8

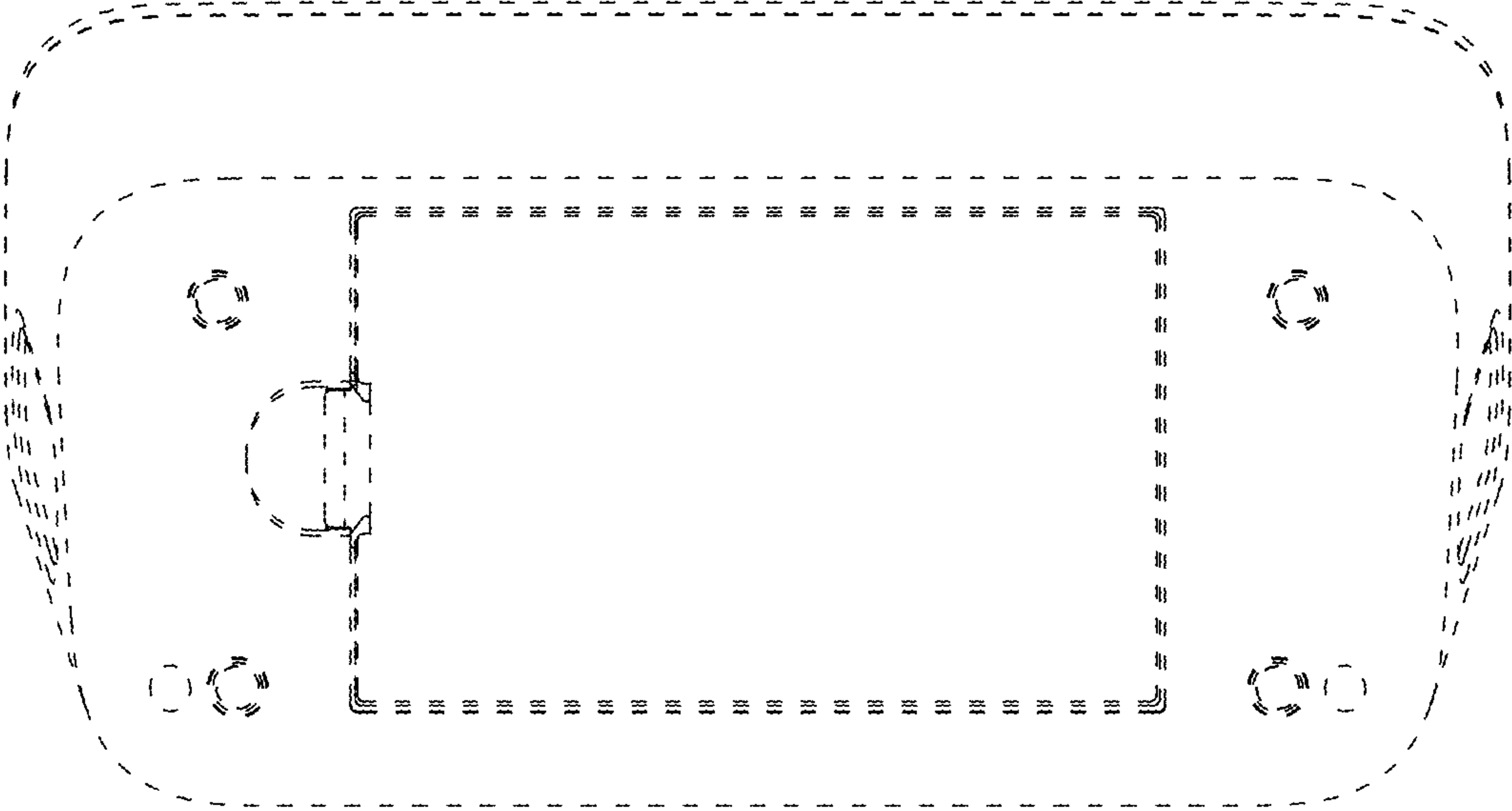


FIG.9

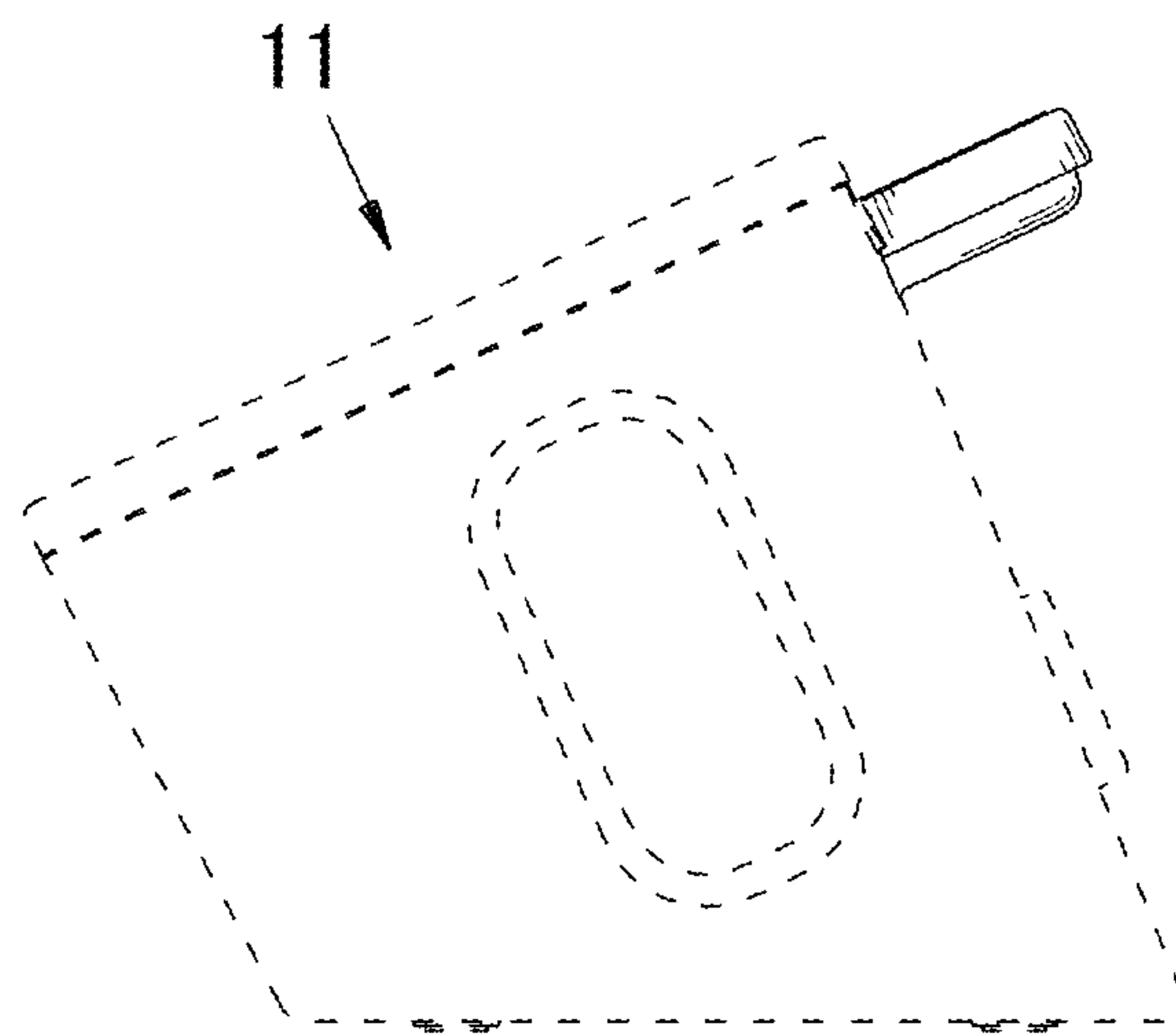


FIG.10

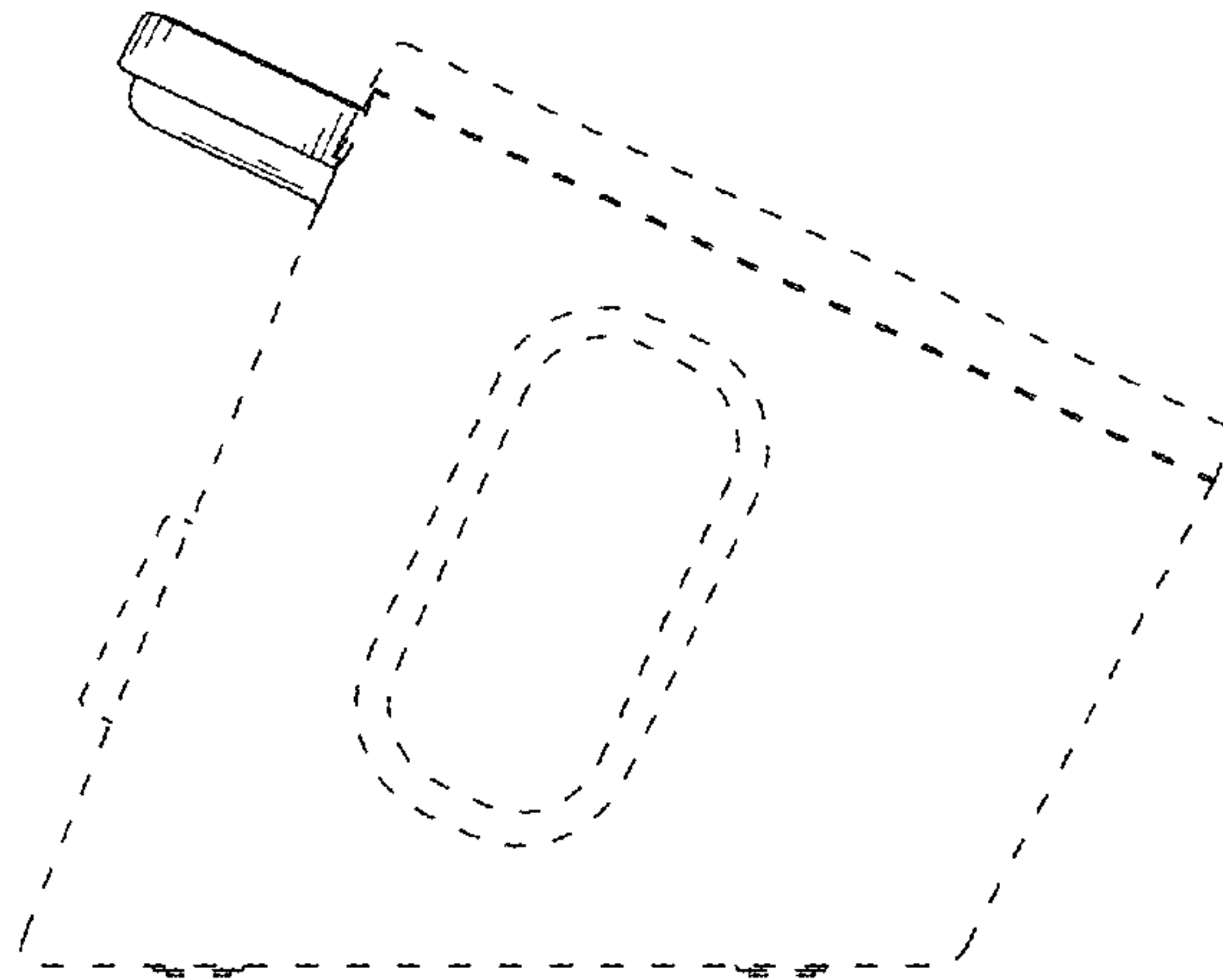


FIG. 11

