

US00D871582S

(12) **United States Design Patent** (10) **Patent No.:** **US D871,582 S**
Hirasawa et al. (45) **Date of Patent:** **** Dec. 31, 2019**

(54) **SPHYGMOMANOMETER WITH ELECTROCARDIOGRAPH**
(71) Applicant: **OMRON HEALTHCARE Co., Ltd.**, Muko-shi, Kyoto (JP)
(72) Inventors: **Asa Hirasawa**, Muko (JP); **Tsuyoshi Ogihara**, Muko (JP); **Kengo Nishiyama**, Muko (JP); **Kosuke Inoue**, Muko (JP)
(73) Assignee: **OMRON HEALTHCARE Co., Ltd.**, Kyoto (JP)

(**) Term: **15 Years**

(21) Appl. No.: **29/654,417**

(22) Filed: **Jun. 24, 2018**

(30) **Foreign Application Priority Data**

Dec. 26, 2017 (JP) 2017-029152

(51) **LOC (12) Cl.** **24-02**

(52) **U.S. Cl.**
USPC **D24/165**

(58) **Field of Classification Search**
USPC D24/107, 164, 165-168, 186, 187;
D10/75, 70, 98
CPC A61B 5/0402; A61B 5/0404; A61B 5/021;
A61B 5/024; A61B 5/02438; A61B
5/681; A61B 2560/0205; A61B
2560/0462
See application file for complete search history.

(56) **References Cited**

U.S. PATENT DOCUMENTS

D533,666 S * 12/2006 Kobayashi D24/165
D571,013 S * 6/2008 Kitamura D24/165

D583,060 S * 12/2008 Kitamura D24/165
D583,474 S * 12/2008 Mitsunami D24/165
D609,344 S * 2/2010 Hara D24/165
D651,319 S * 12/2011 Hara D24/165
D663,843 S * 7/2012 Wang D24/166
D809,662 S * 2/2018 Shi D24/165
D814,039 S * 3/2018 Shinozaki D24/165

* cited by examiner

Primary Examiner — Anhdao Doan

(74) *Attorney, Agent, or Firm* — Capitol City TechLaw

(57) **CLAIM**

The ornamental design for a sphygmomanometer with electrocardiograph, as shown.

DESCRIPTION

FIG. 1 is a front, top, and right side perspective view of a sphygmomanometer with electrocardiograph showing our new design;

FIG. 2 is a rear, top, and left side perspective view thereof; FIG. 3 is a front, bottom, and right side perspective view thereof;

FIG. 4 is a rear, bottom, and right side perspective view thereof;

FIG. 5 is a front view thereof;

FIG. 6 is a rear view thereof;

FIG. 7 is a top view thereof;

FIG. 8 is a bottom view thereof;

FIG. 9 is a right side view thereof; and,

FIG. 10 is a left side view thereof.

1 Claim, 10 Drawing Sheets

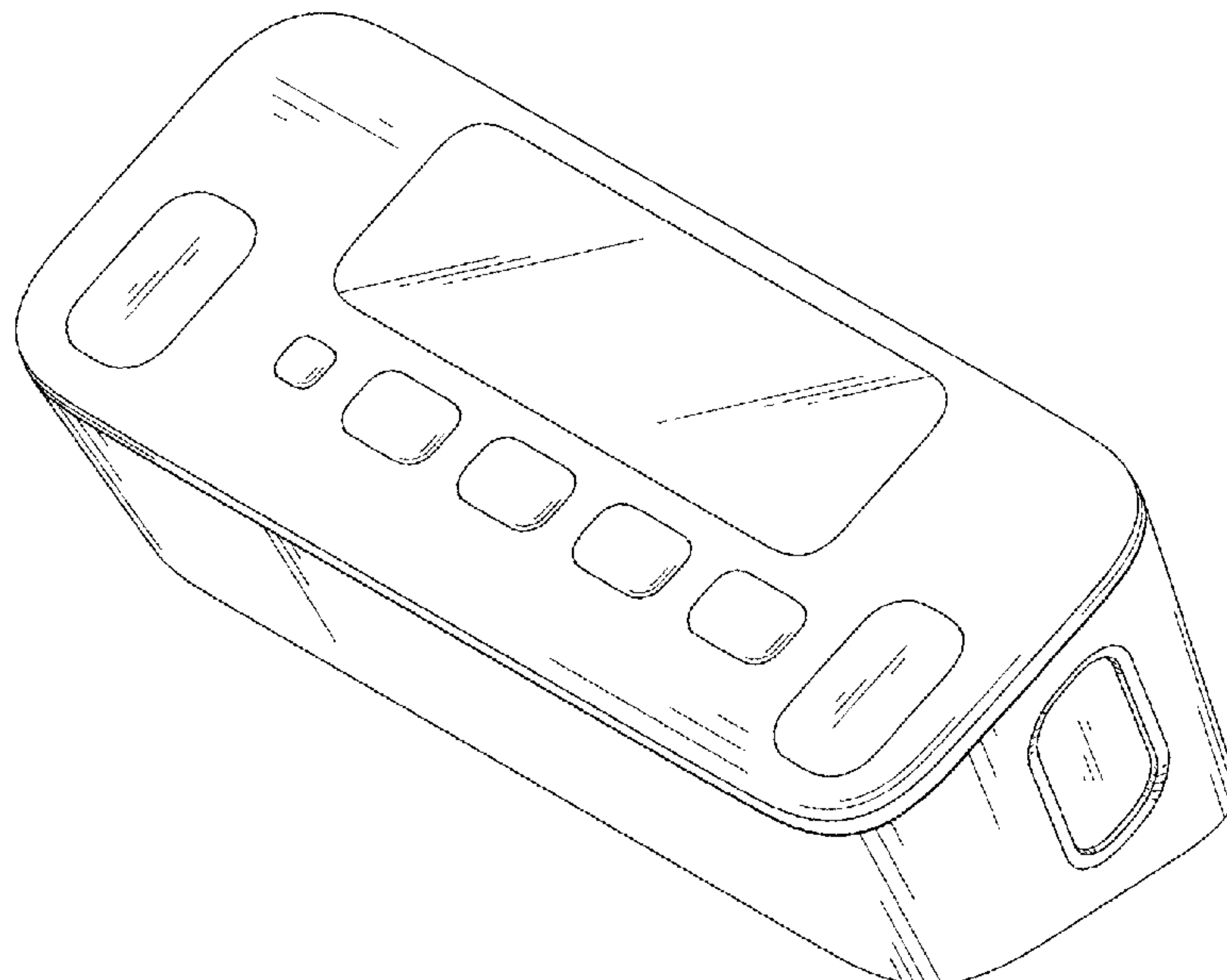


FIG.1

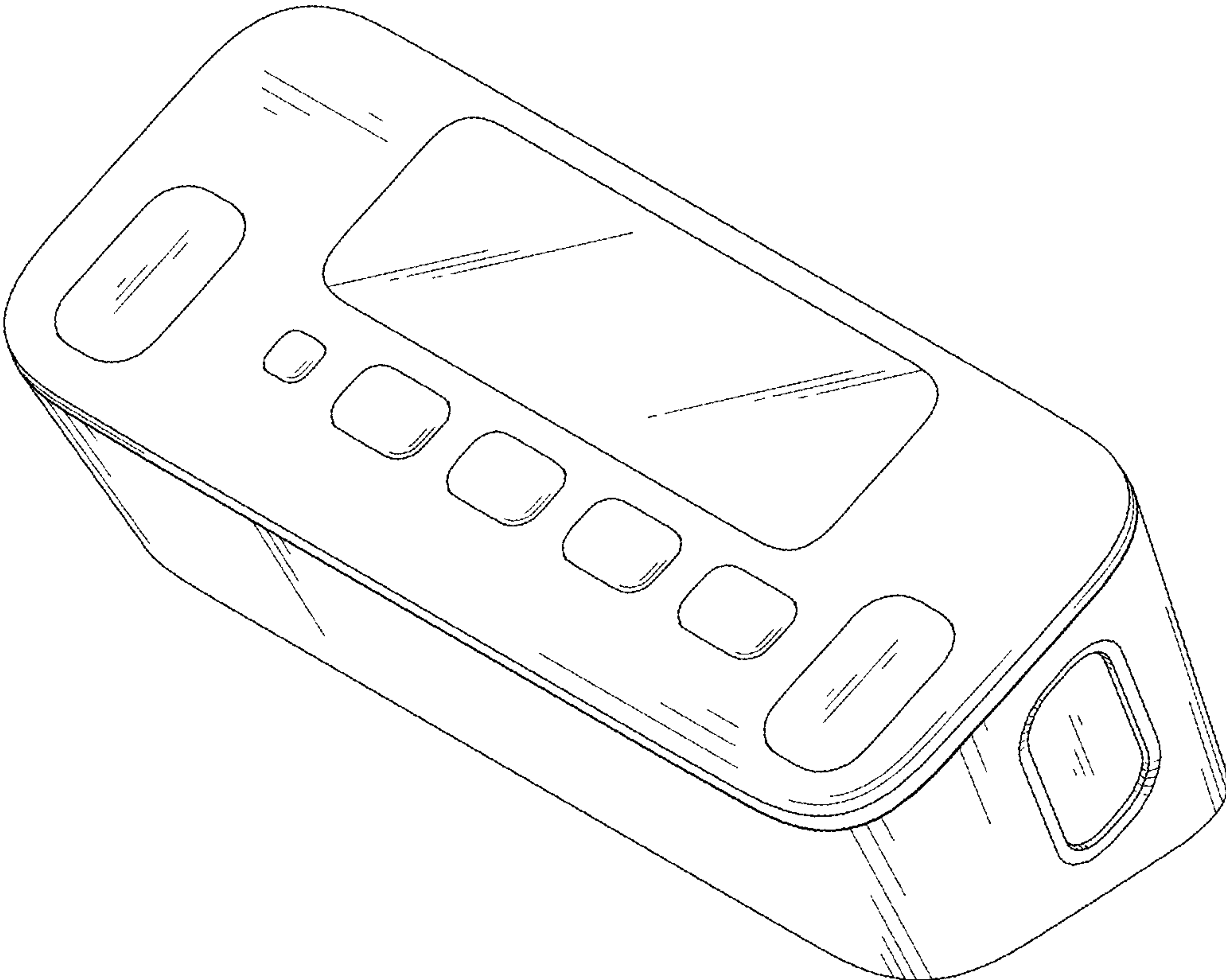


FIG.2

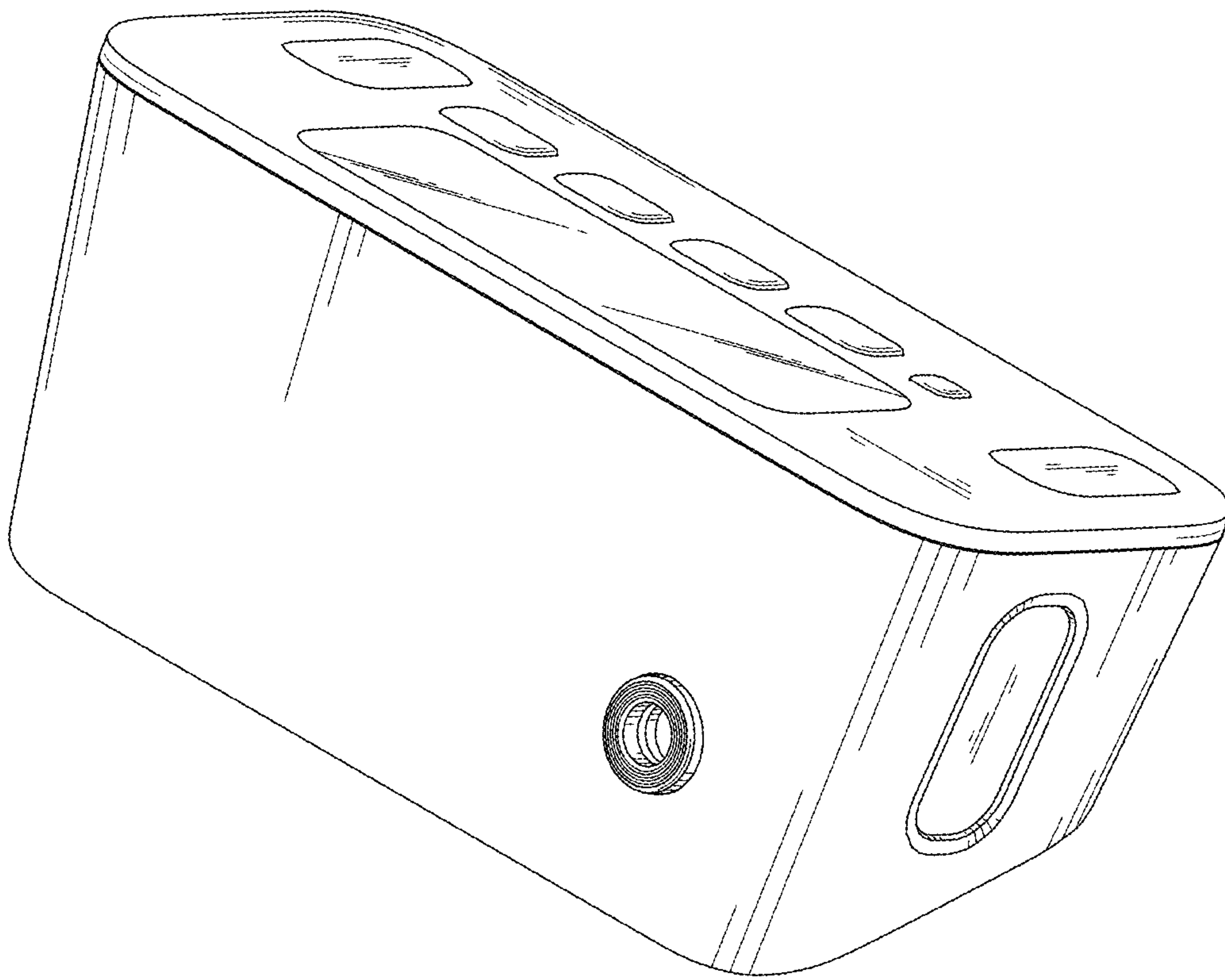


FIG.3

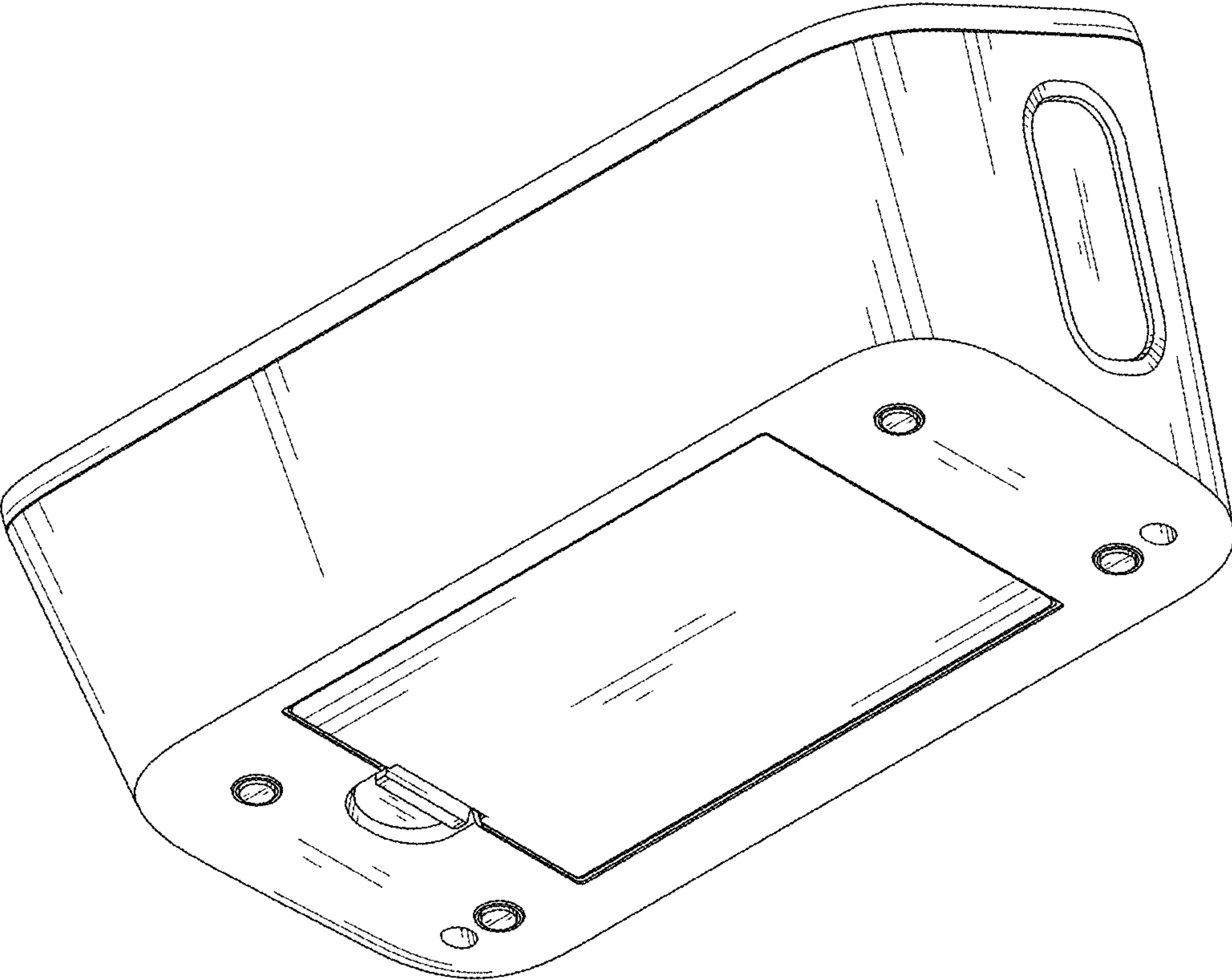


FIG.4

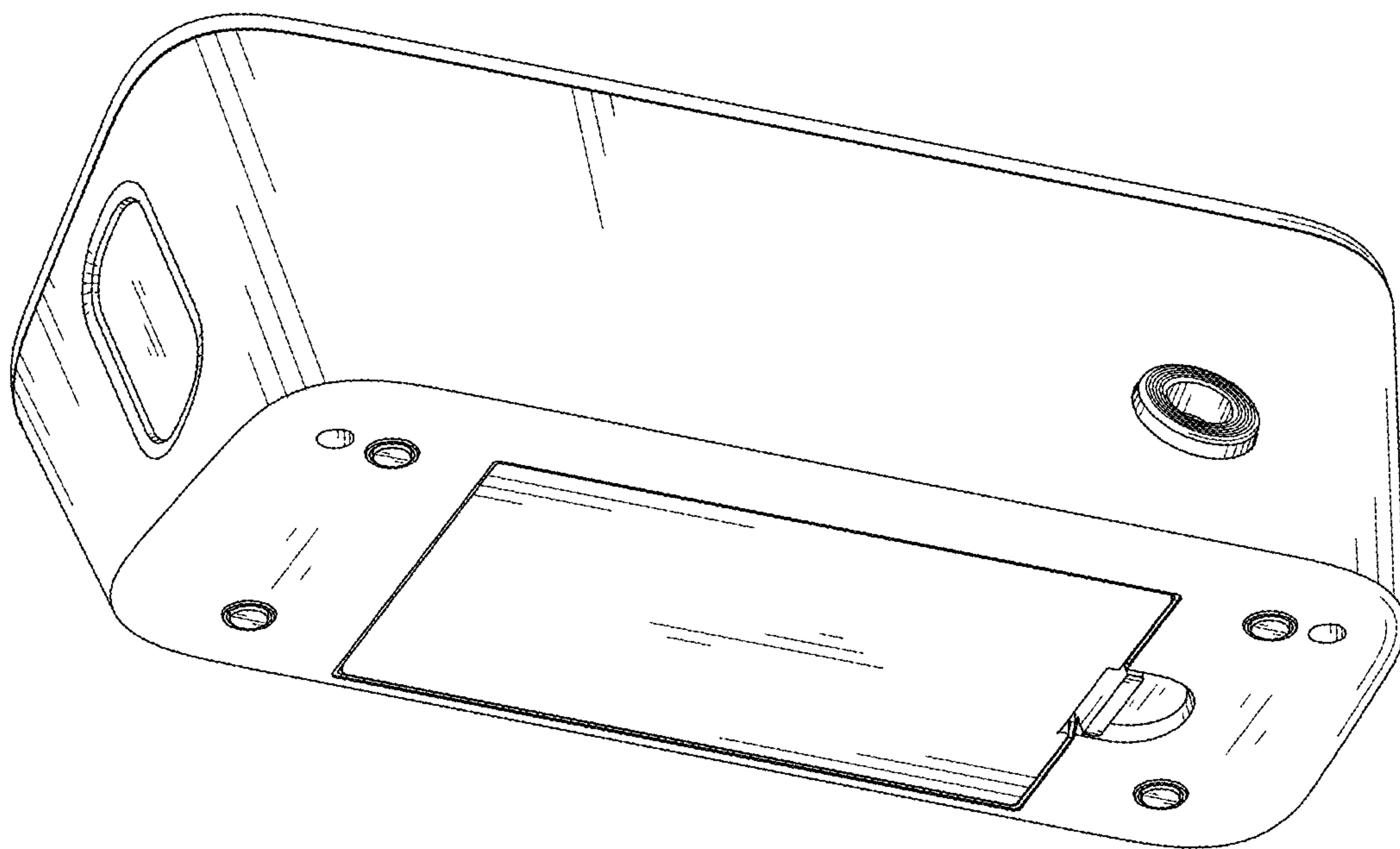


FIG.5

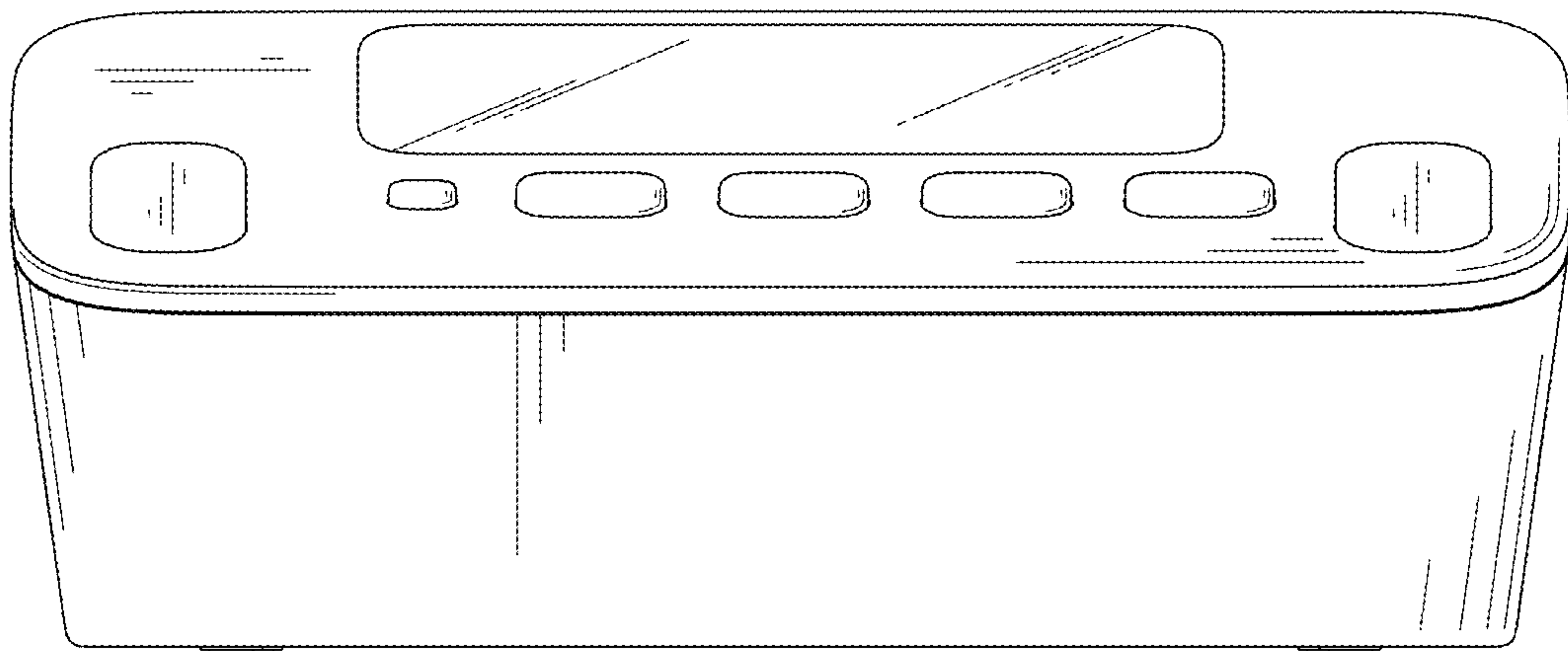


FIG.6

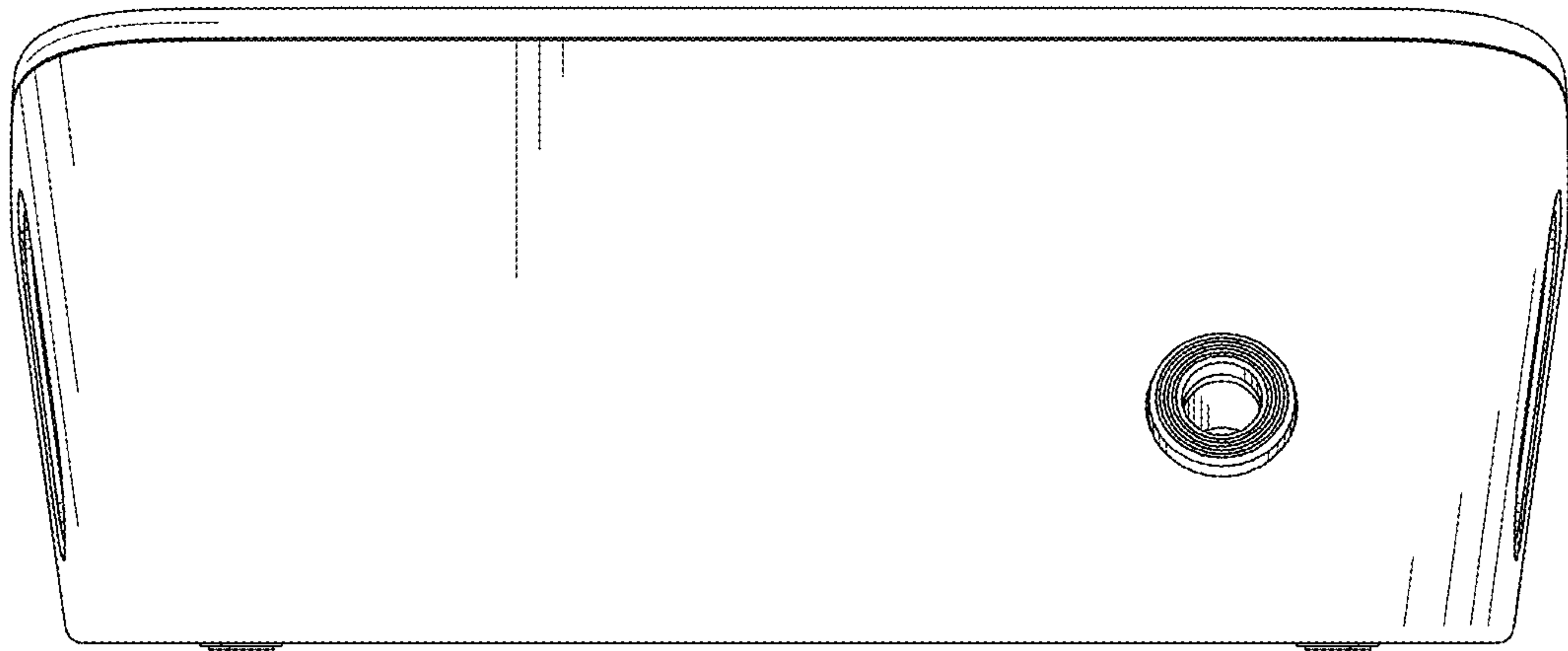


FIG.7

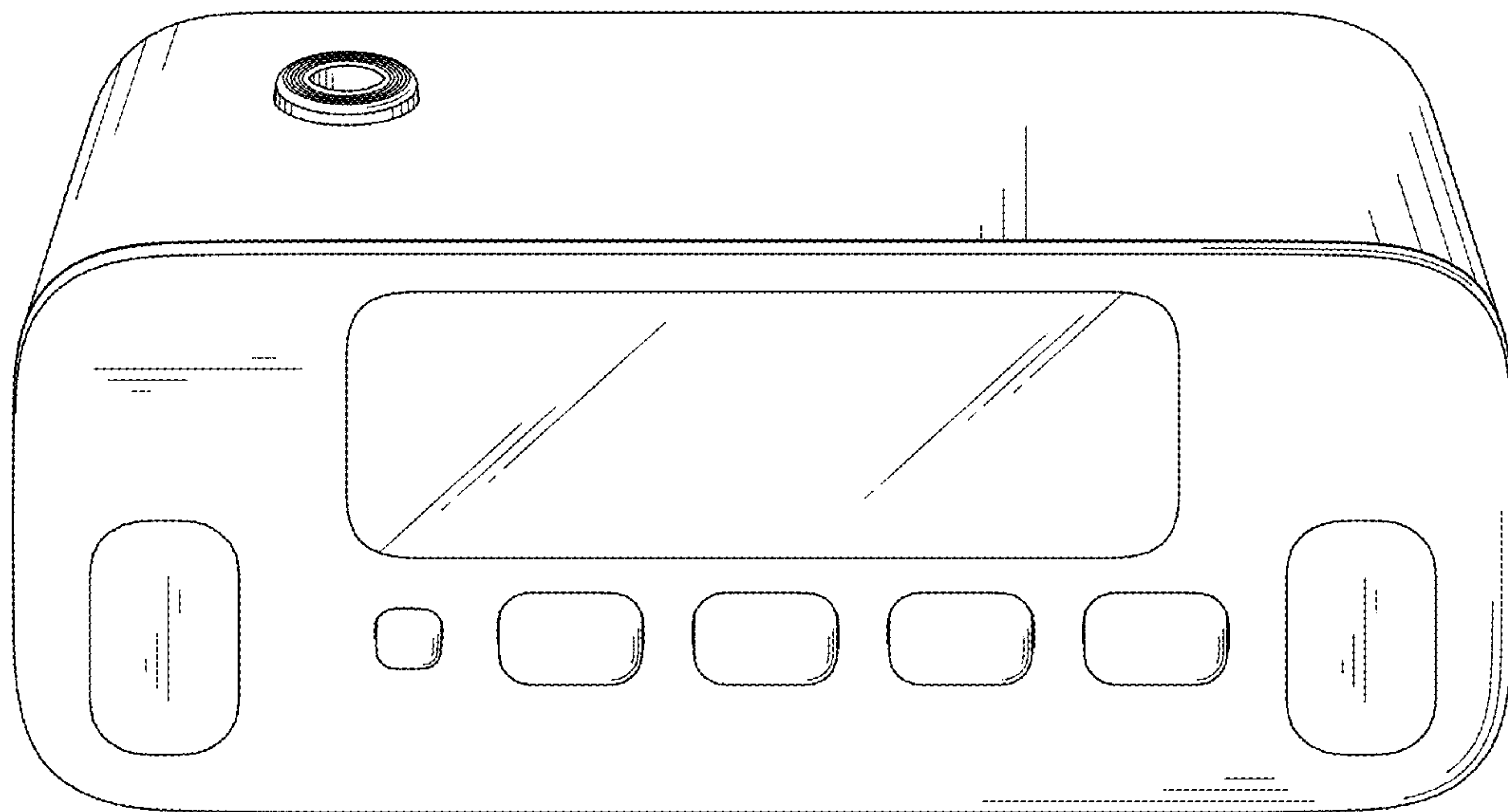


FIG.8

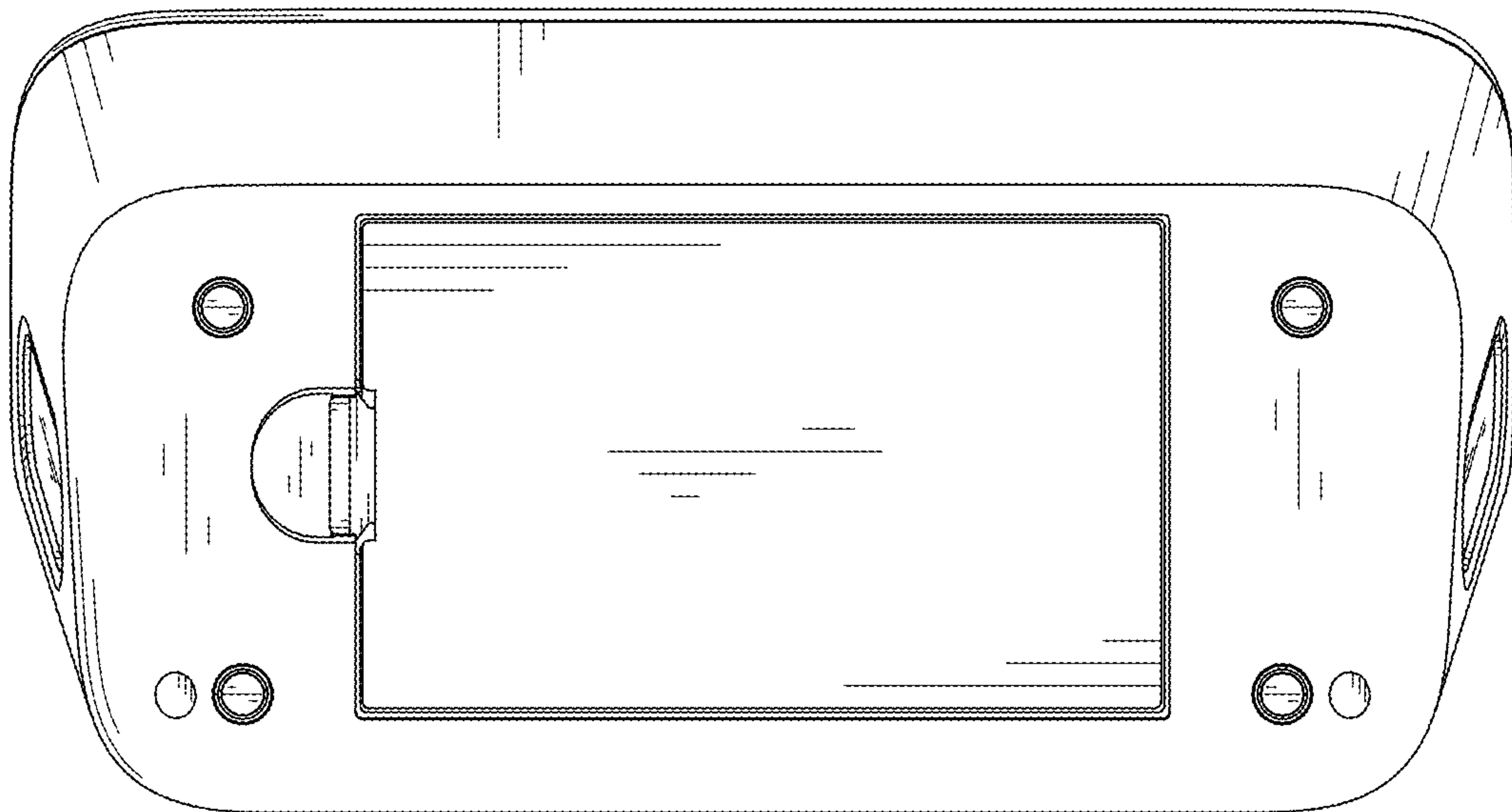


FIG.9

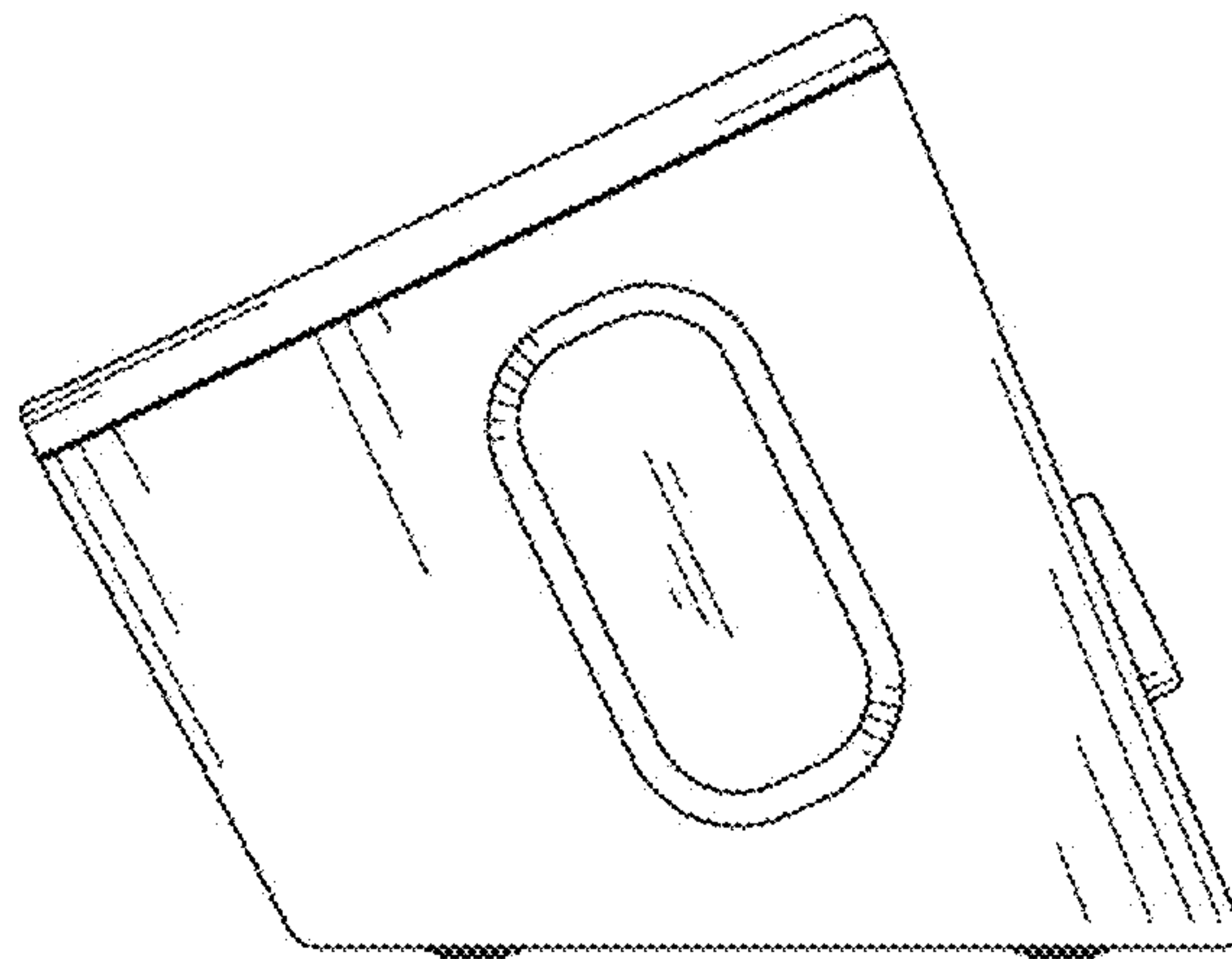


FIG. 10

