



US00D871581S

(12) **United States Design Patent** (10) **Patent No.:** **US D871,581 S**  
**Sul** (45) **Date of Patent:** **\*\* Dec. 31, 2019**

(54) **X-RAY DETECTOR**  
(71) Applicant: **SAMSUNG ELECTRONICS CO., LTD.**, Suwon-si, Gyeonggi-do (KR)  
(72) Inventor: **Sungwoo Sul**, Seongnam-si (KR)  
(73) Assignee: **SAMSUNG ELECTRONICS CO., LTD.**, Gyeonggi-do (KR)  
(\*\*) Term: **15 Years**

2015/0063550 A1\* 3/2015 Wojcik ..... A61B 6/4233  
378/189  
2017/0372572 A1\* 12/2017 Kano ..... A61B 6/4283  
\* cited by examiner

*Primary Examiner* — Anhdao Doan  
(74) *Attorney, Agent, or Firm* — Cantor Colburn LLP

(57) **CLAIM**  
The ornamental design for an X-ray detector, as shown and described.

(21) Appl. No.: **29/645,298**

**DESCRIPTION**

(22) Filed: **Apr. 25, 2018**

FIG. 1 is a front perspective view of an X-ray detector, showing my new design;  
FIG. 2 is a front view thereof;  
FIG. 3 is a rear view thereof;  
FIG. 4 is a left-side view thereof;  
FIG. 5 is a right-side view thereof;  
FIG. 6 is a top view thereof;  
FIG. 7 is a bottom view thereof;  
FIG. 8 is a rear perspective view thereof;  
FIG. 9 is an enlarged view of the portion, '9' in FIG. 1;  
FIG. 10 is an enlarged view of the portion, '10' in FIG. 8;  
FIG. 11 is an enlarged view of the portion, '11' in FIG. 8;  
FIG. 12 is a front perspective view of another embodiment of an X-ray detector, showing my new design;  
FIG. 13 is a front view thereof;  
FIG. 14 is a rear view thereof;  
FIG. 15 is a left-side view thereof;  
FIG. 16 is a right-side view thereof;  
FIG. 17 is a top view thereof;  
FIG. 18 is a bottom view thereof; and,  
FIG. 19 is a rear perspective view thereof.

(30) **Foreign Application Priority Data**

Nov. 17, 2017 (KR) ..... 30-2017-0053876

(51) **LOC (12) Cl.** ..... **24-01**  
(52) **U.S. Cl.**  
USPC ..... **D24/158**

(58) **Field of Classification Search**  
USPC ..... D24/107, 158–161, 185, 186, 187, 231  
CPC ..... H04N 5/367; G03B 42/04; A61B 6/4283  
See application file for complete search history.

(56) **References Cited**

**U.S. PATENT DOCUMENTS**

D450,385 S *	11/2001	Salazar	.....	D24/158
D659,249 S *	5/2012	Ogura	.....	D24/161
D727,502 S *	4/2015	Sul	.....	D24/158
D751,713 S *	3/2016	Ogura	.....	D24/158
D751,714 S *	3/2016	Ogura	.....	D24/158
D753,827 S *	4/2016	Sul	.....	D24/158
D818,591 S *	5/2018	Asai	.....	D24/158

The dot-dash broken lines encircling enlargement portions of the design form no part of the claimed design. The broken lines illustrating portions of the X-ray detector form no part of the claimed design.

**1 Claim, 15 Drawing Sheets**

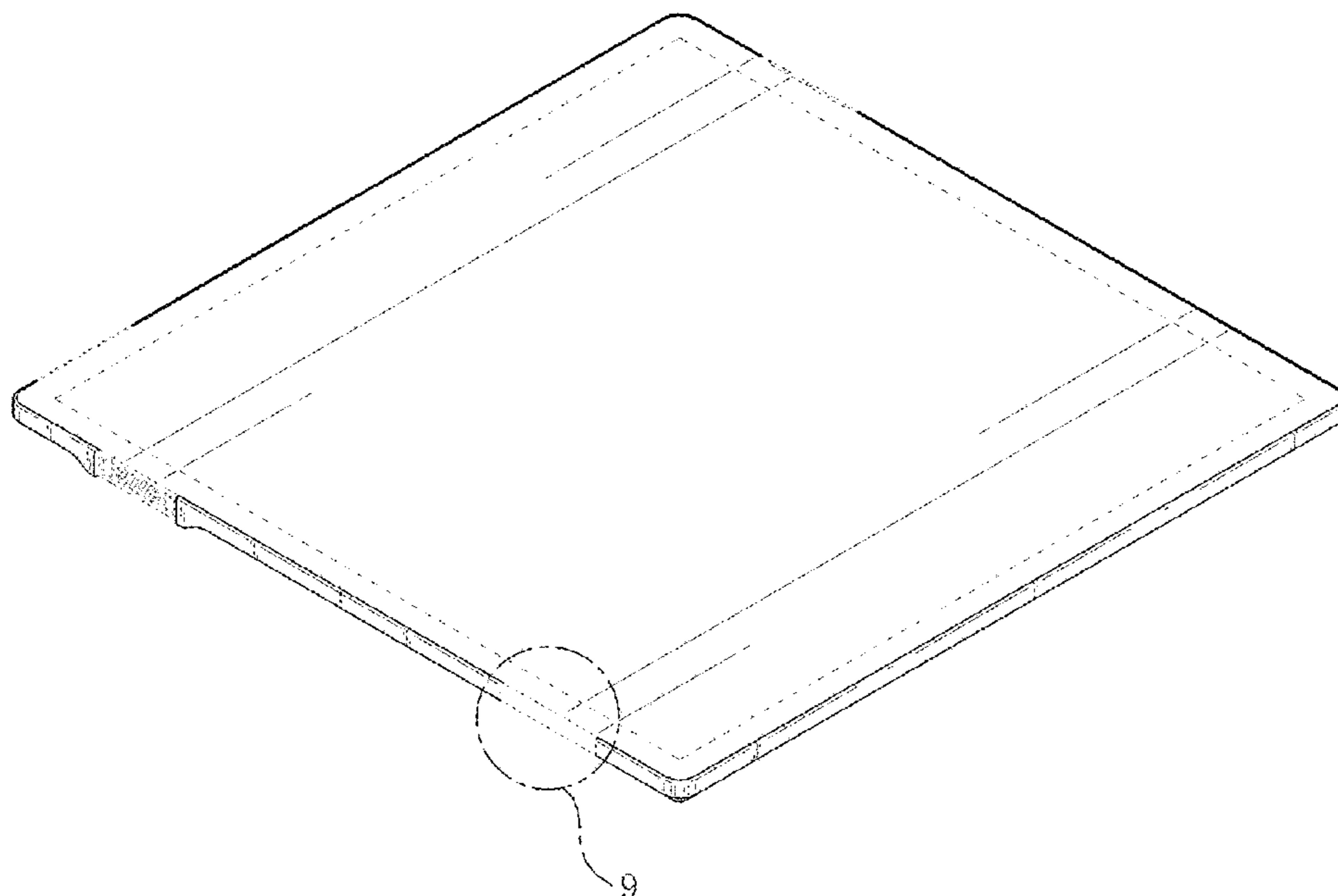


FIG. 1

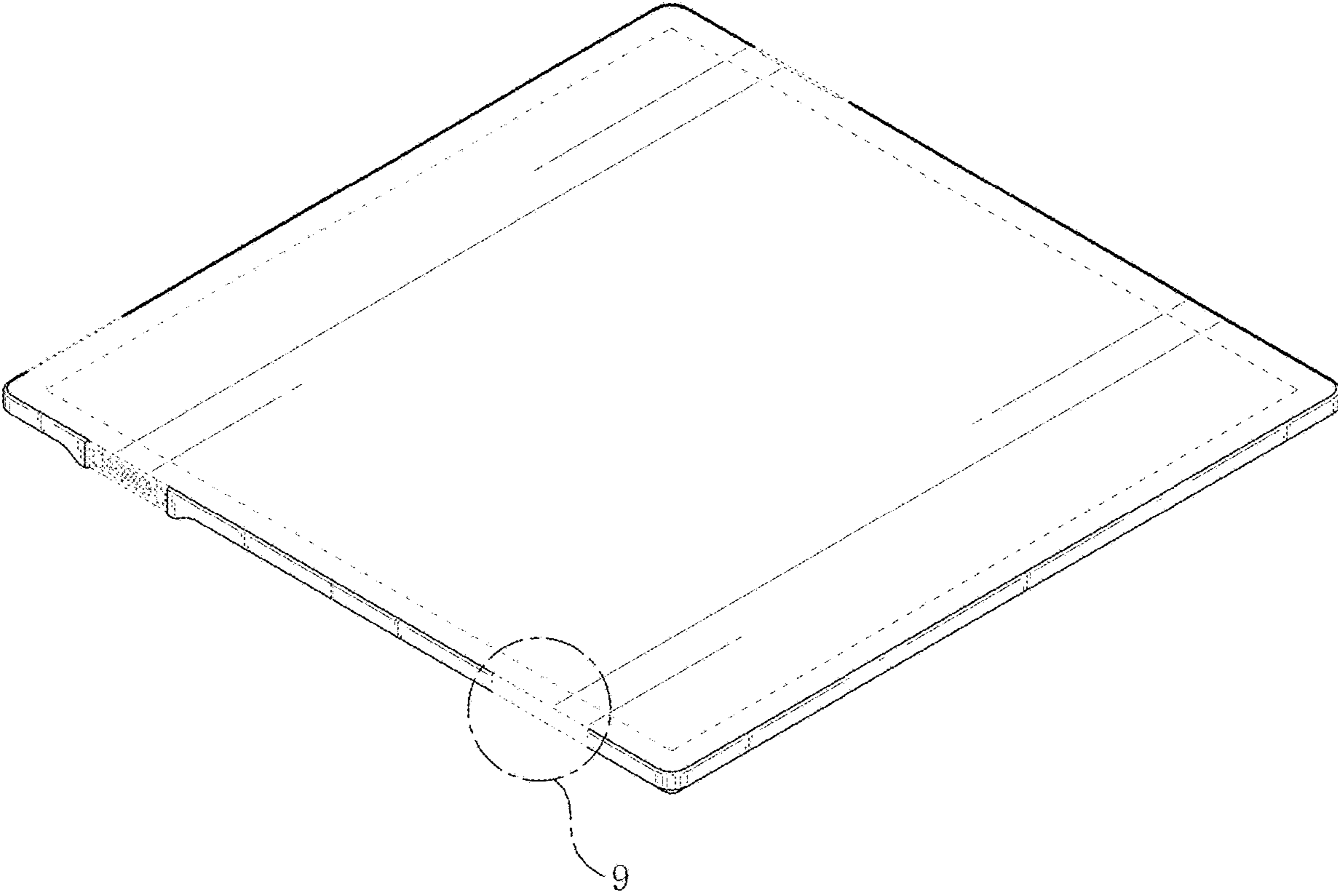


FIG. 2

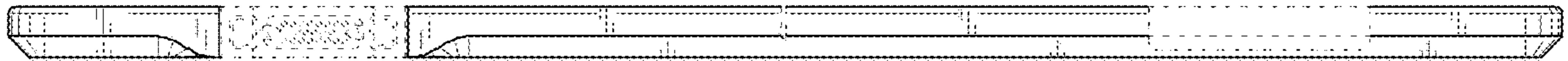


FIG. 3

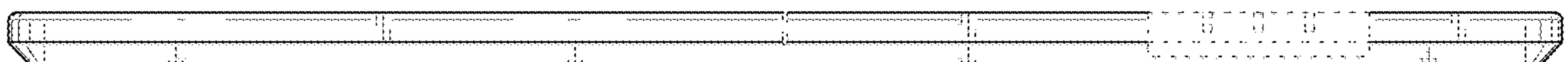


FIG. 4

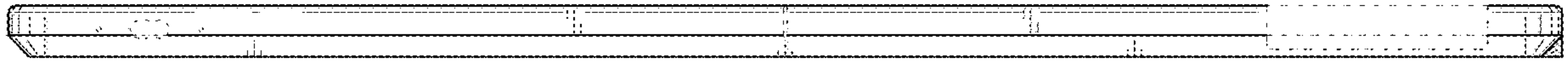


FIG. 5

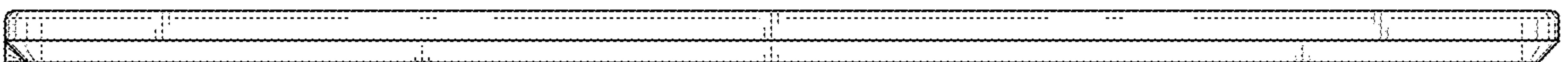


FIG. 6

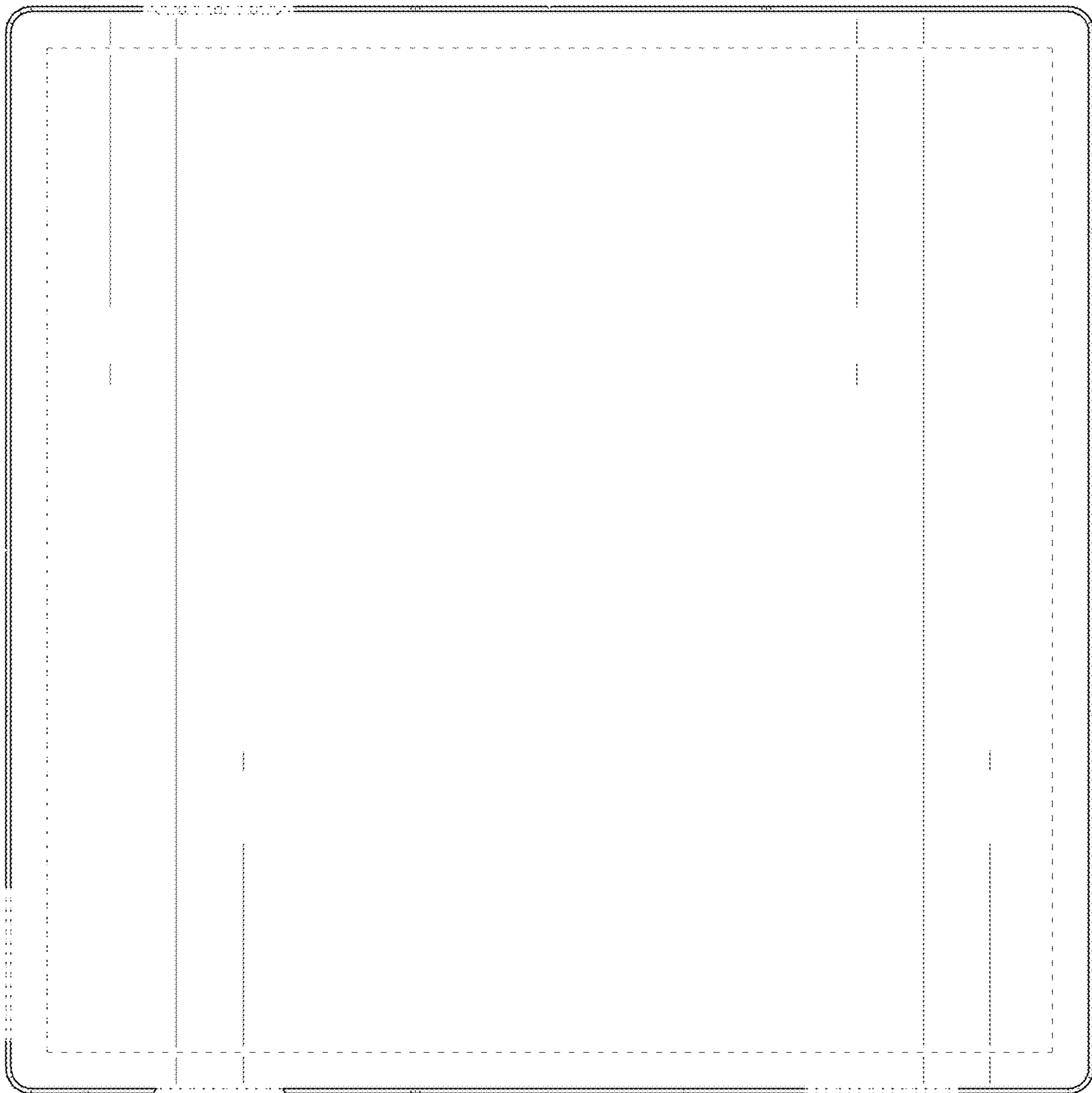


FIG. 7

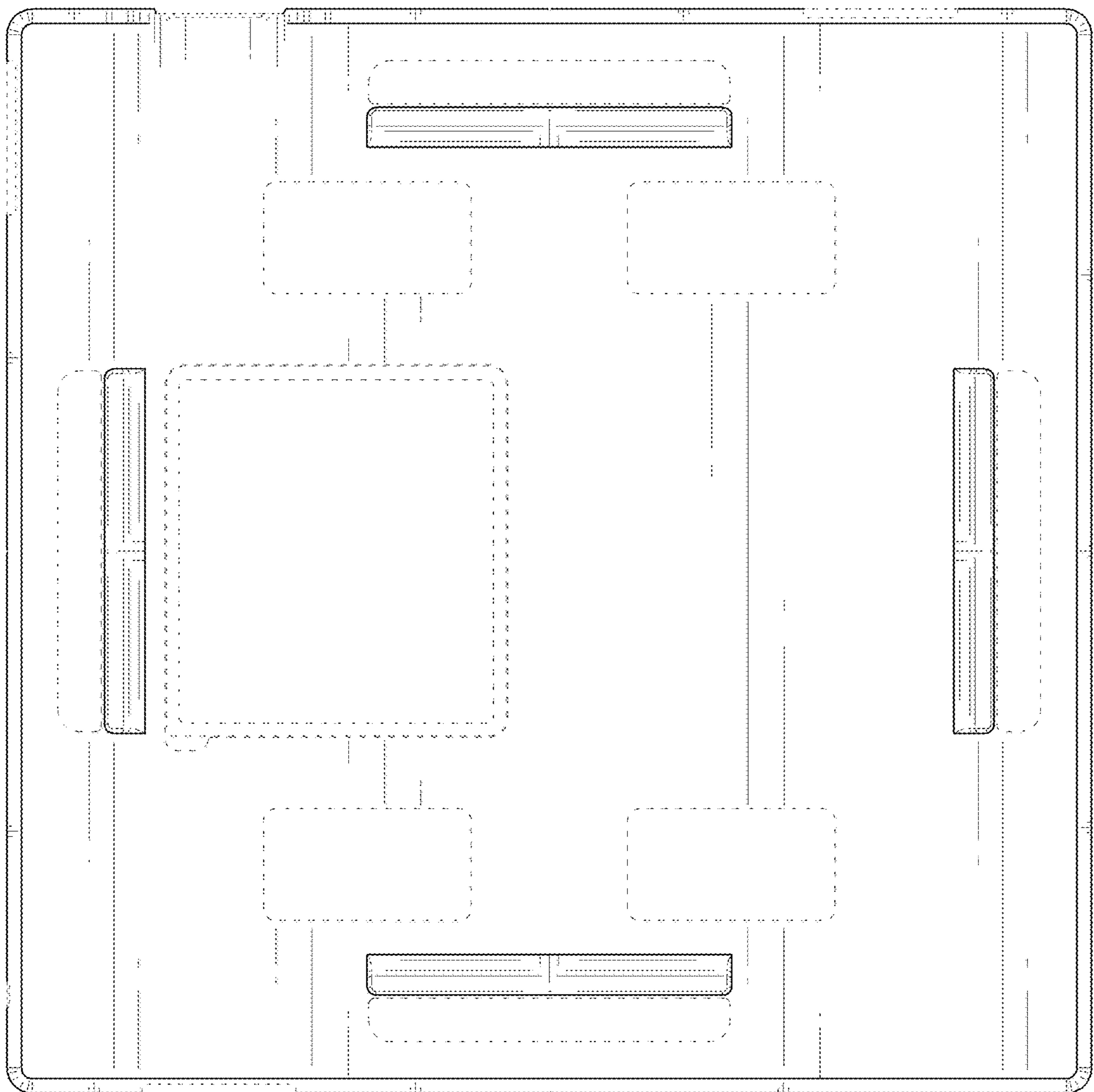




FIG. 8

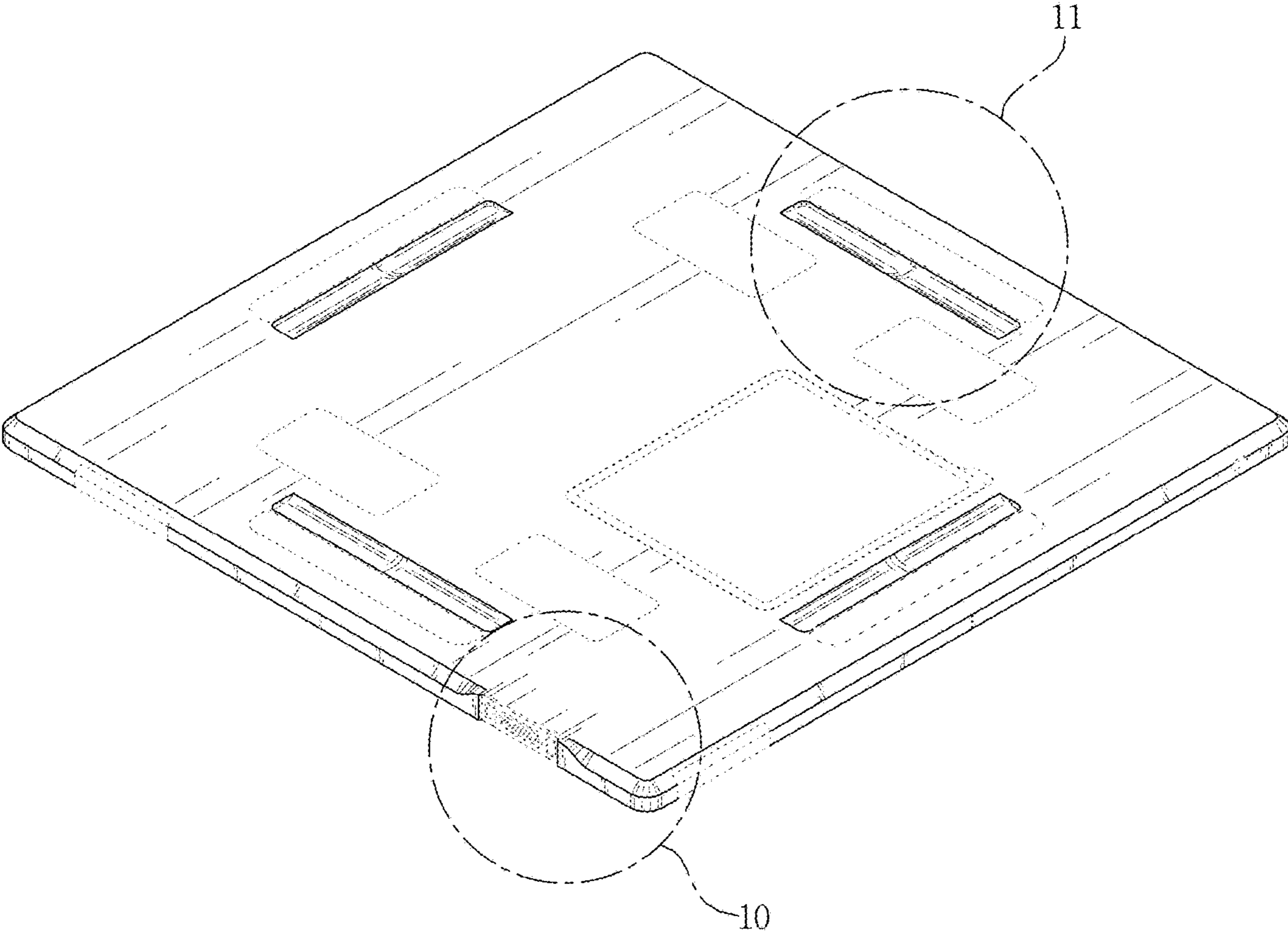


FIG. 9

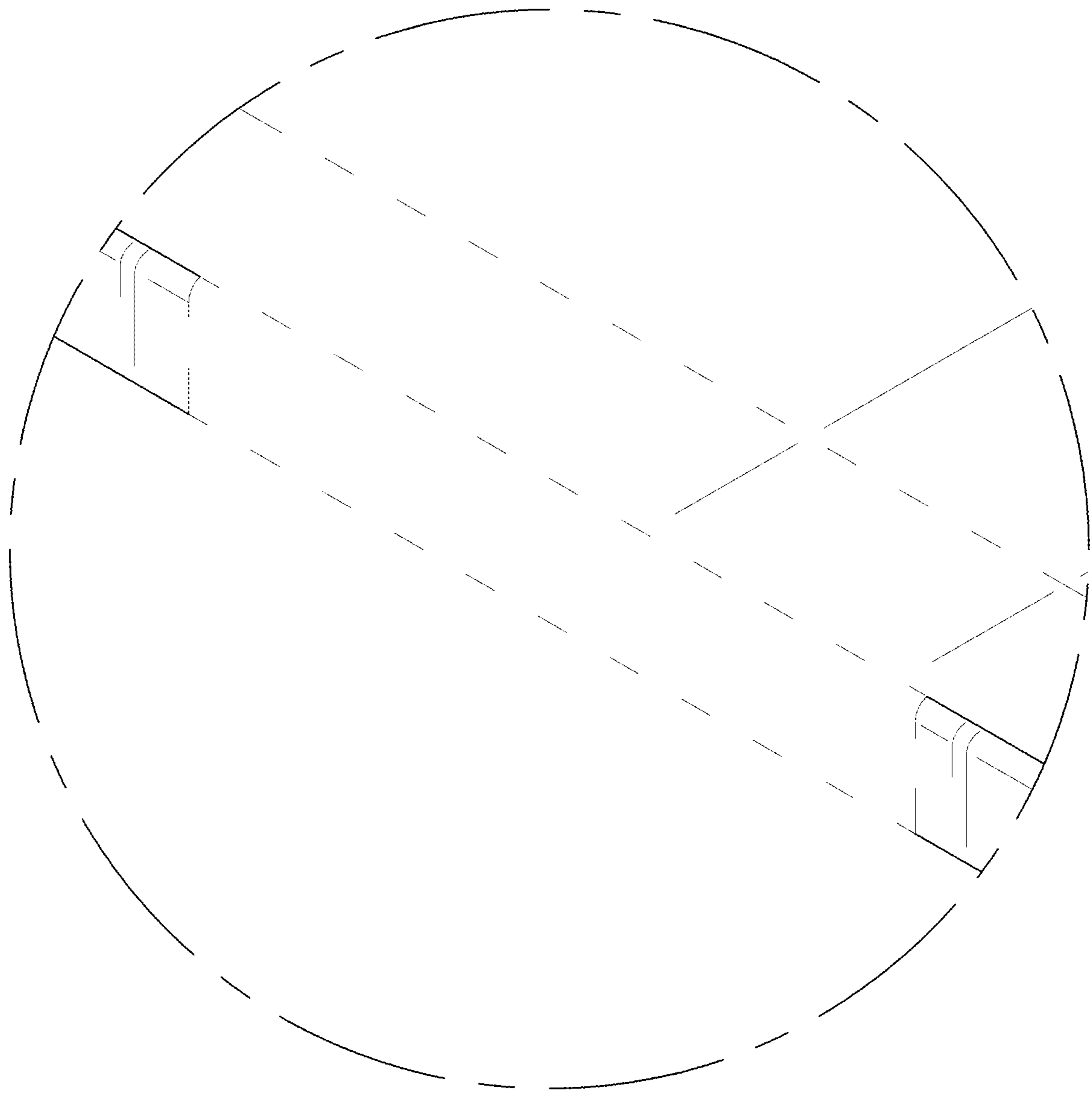




FIG. 10

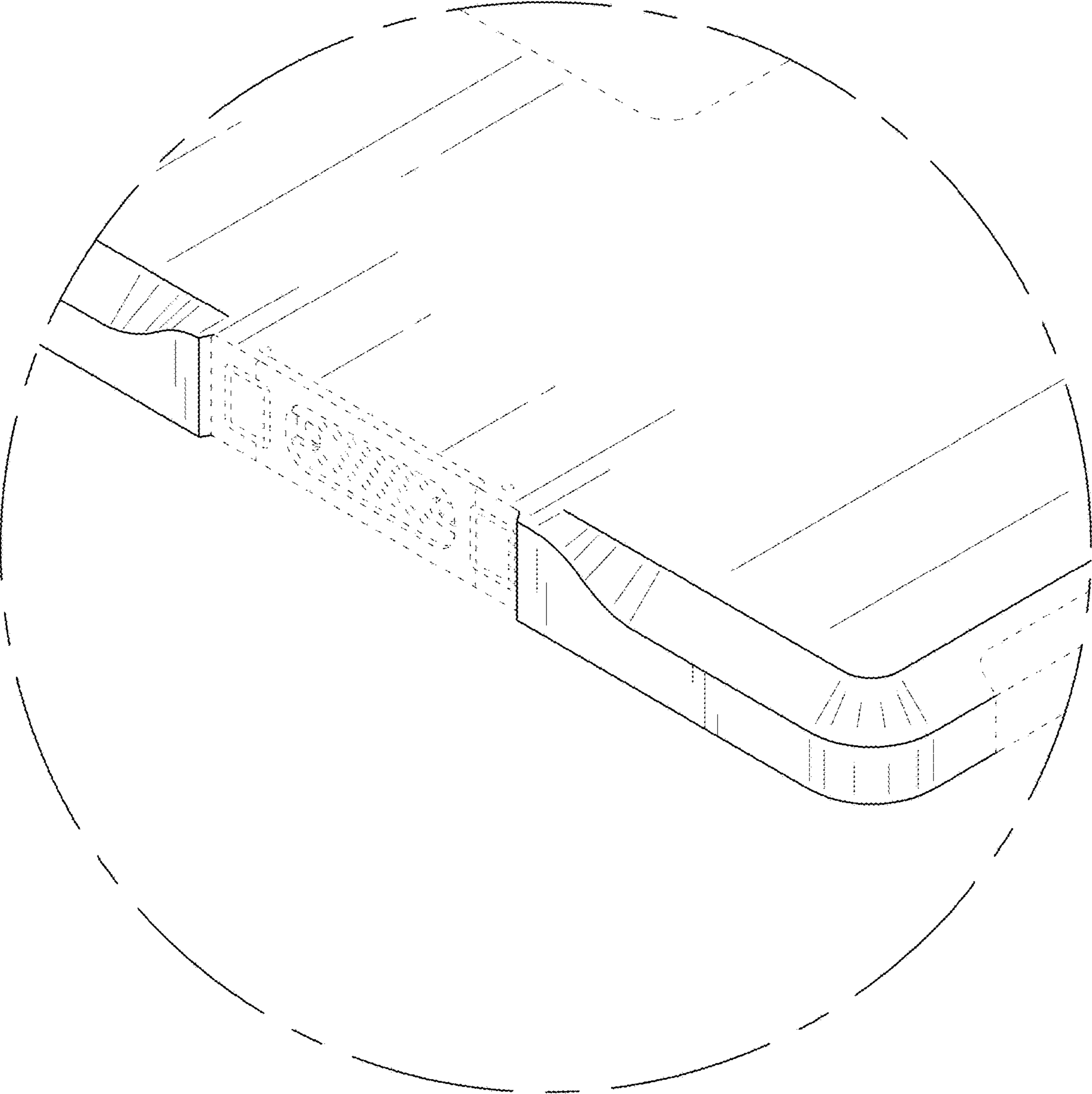


FIG. 11

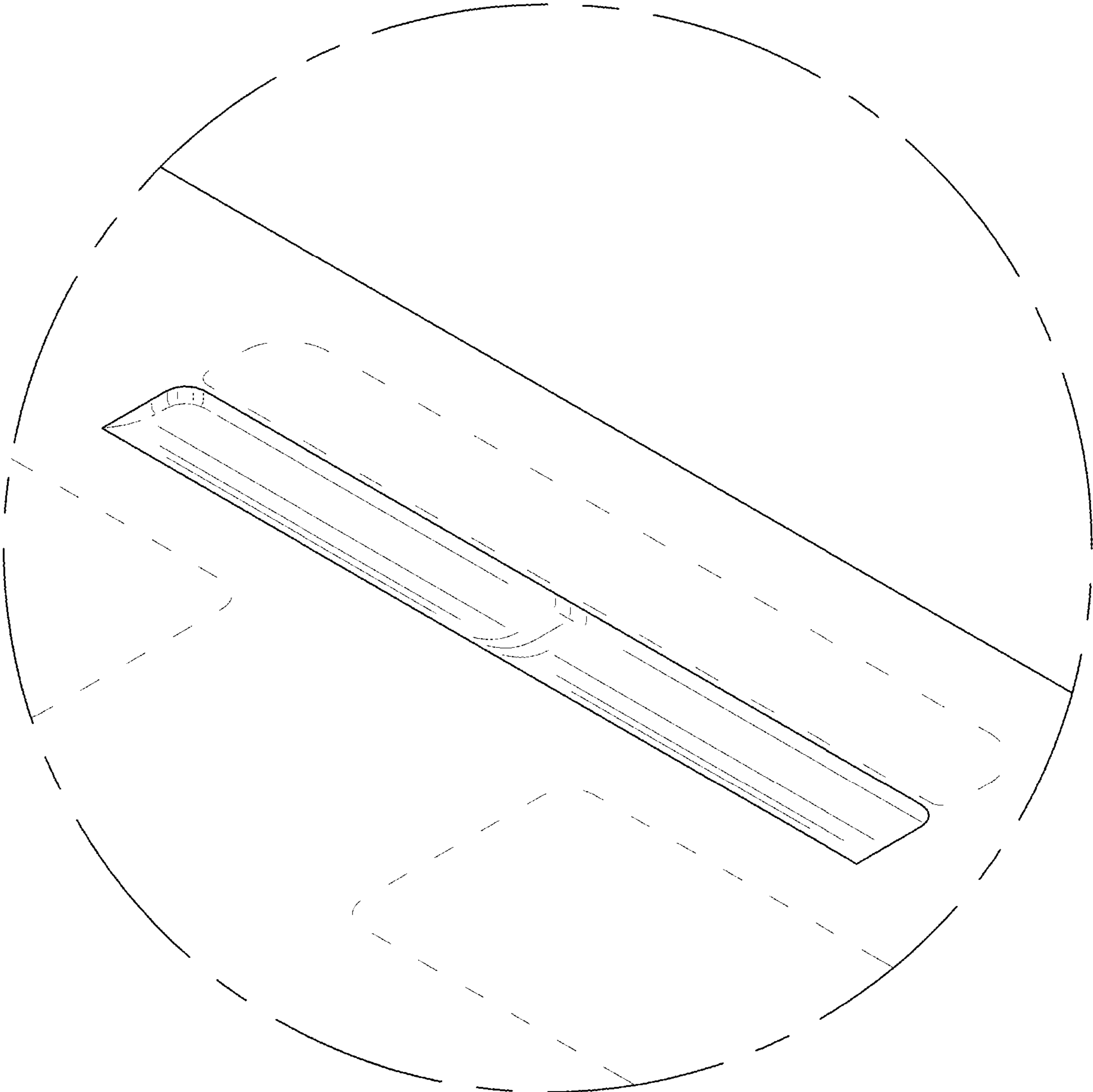


FIG. 12

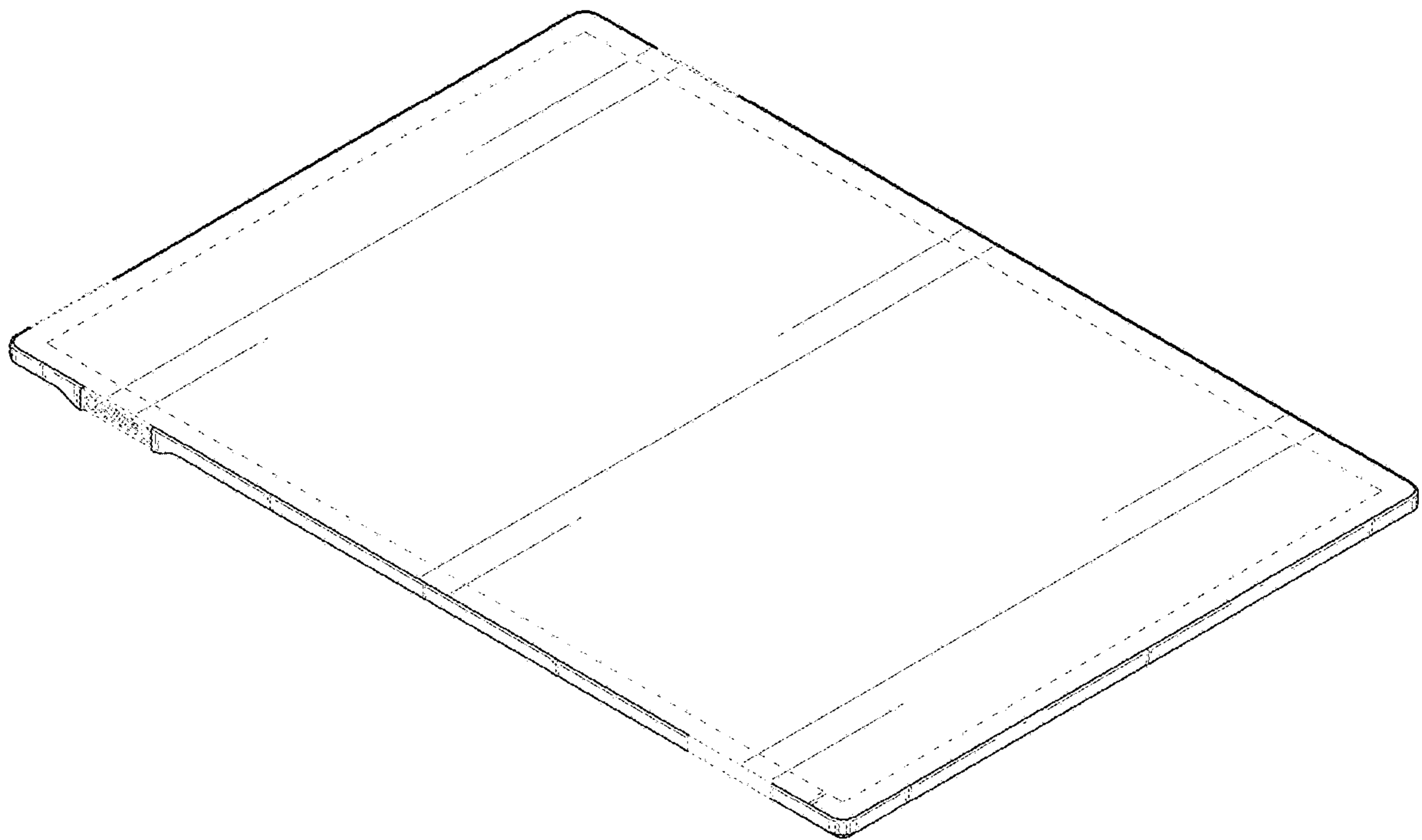


FIG. 13

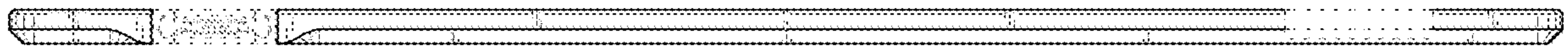


FIG. 14

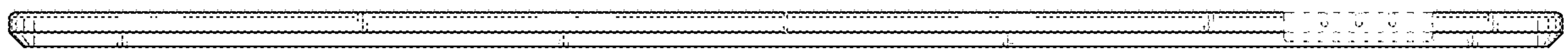


FIG. 15

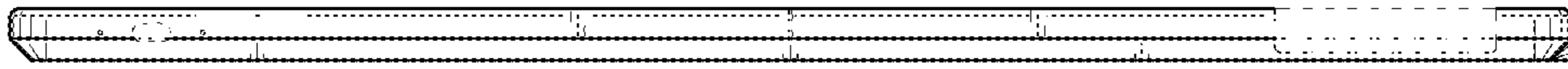


FIG. 16

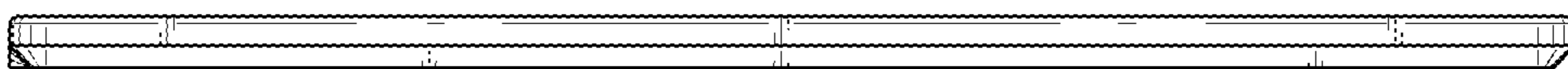


FIG. 17

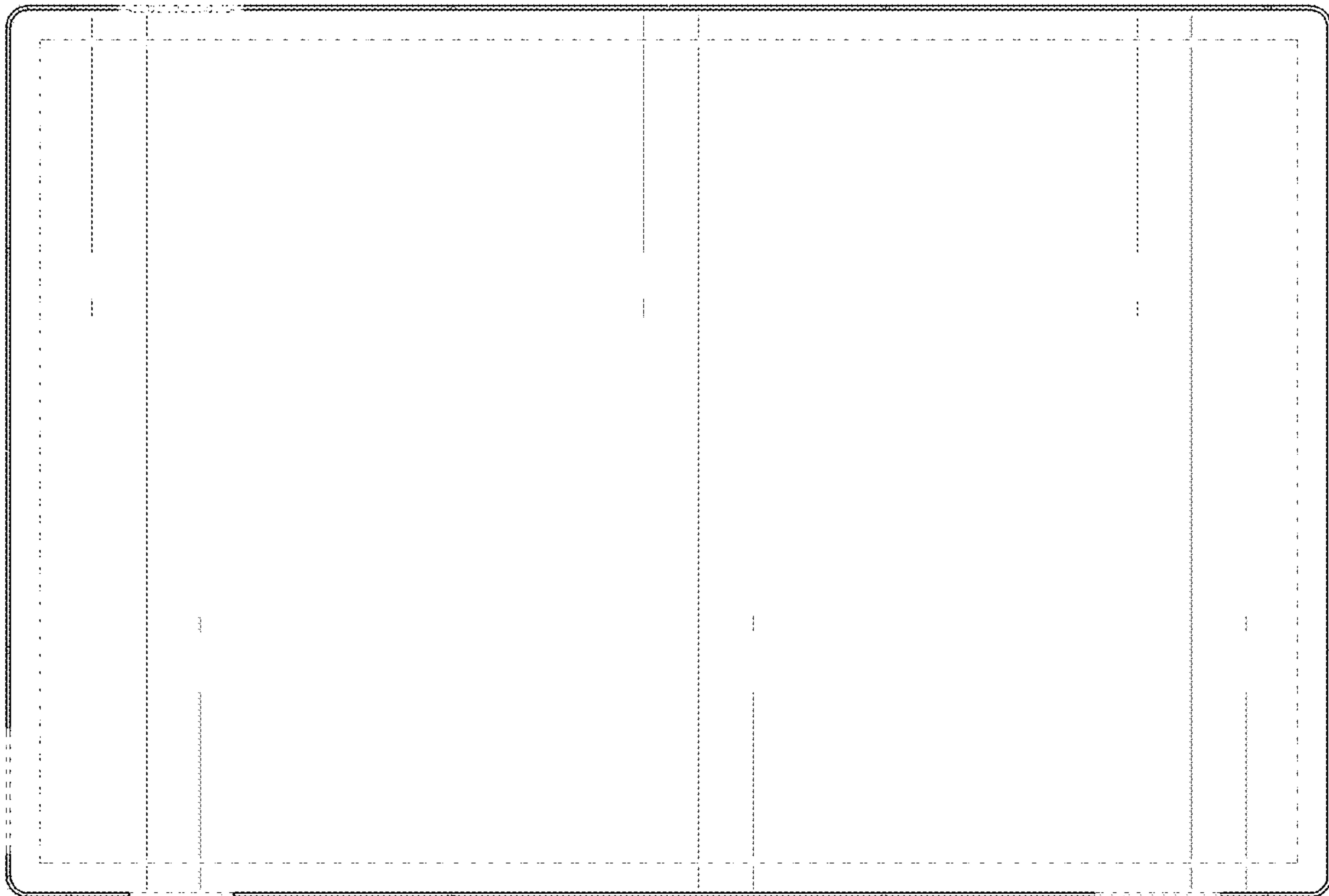


FIG. 18

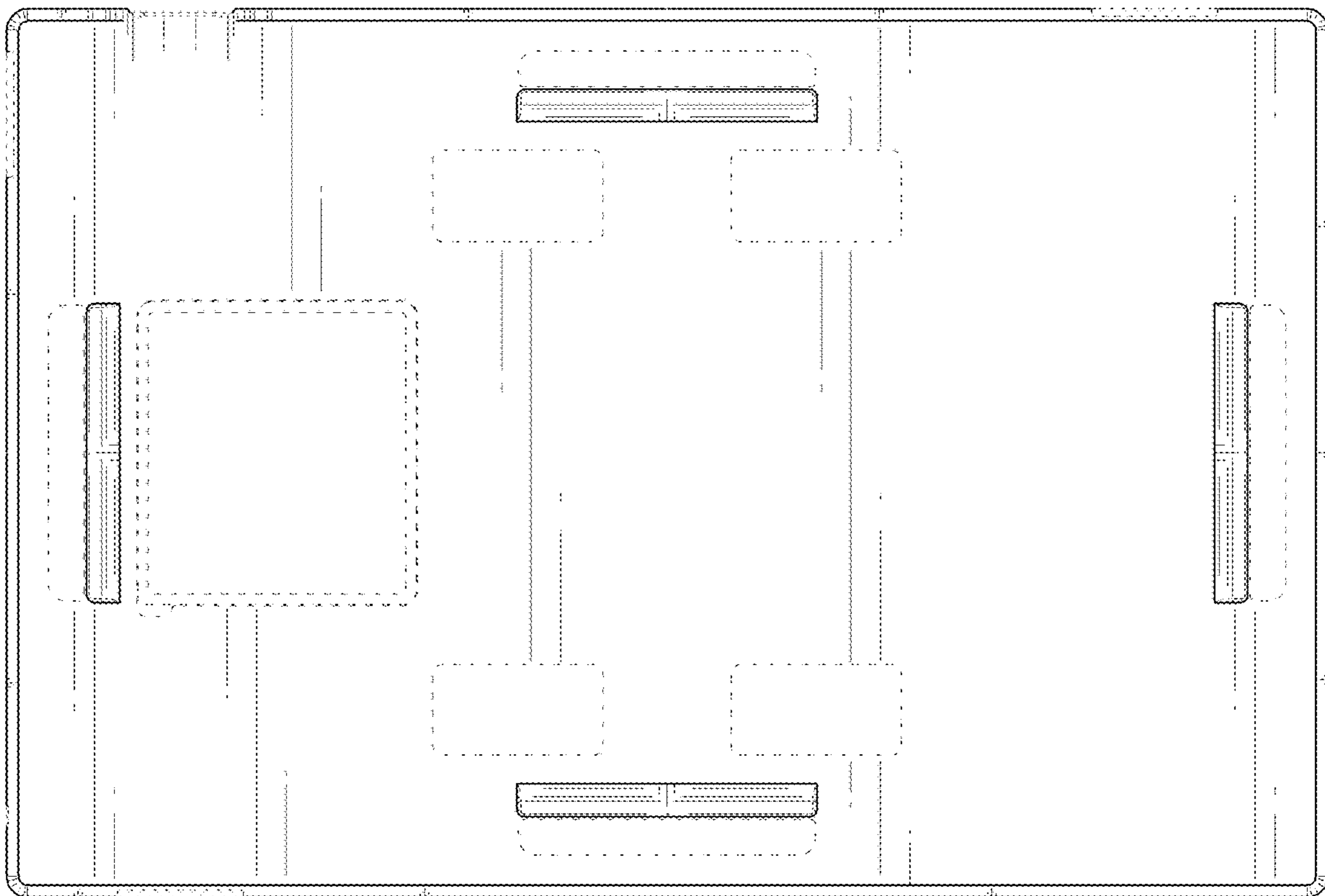




FIG. 19

