



US00D871572S

(12) **United States Design Patent** (10) **Patent No.:** **US D871,572 S**
Lacy et al. (45) **Date of Patent:** **** Dec. 31, 2019**

(54) **RECEPTACLE AREA OF INFUSION PUMP**

FOREIGN PATENT DOCUMENTS

(71) Applicant: **Smiths Medical ASD, Inc.**, Plymouth, MN (US)

WO WO 2010/023915 4/2010
WO WO 2016/196098 12/2016

(72) Inventors: **Christopher Lacy**, Arden Hills, MN (US); **Grant Adams**, Anoka, MN (US); **Harshad Borgaonkar**, Shoreview, MN (US); **Sameer Pai**, Plymouth, MN (US); **Daniel Adamson**, Blaine, MN (US); **Michael Acker**, Saint Paul, MN (US); **Jonathan Sanborn**, Saint Louis Park, MN (US); **Erik Jagger**, Deephaven, MN (US)

OTHER PUBLICATIONS

Application and File History for U.S. Appl. No. 29/586,038, filed Nov. 30, 2016, inventors Lacy, et al.

Primary Examiner — Sheryl Lane
Assistant Examiner — Calvin E Vansant
(74) *Attorney, Agent, or Firm* — Patterson Thuent Pedersen, P.A.

(73) Assignee: **Smiths Medical ASD, Inc.**, Plymouth, MN (US)

(57) **CLAIM**

We claim the ornamental design for receptacle area of infusion pump, as shown and described.

(**) Term: **15 Years**

DESCRIPTION

(21) Appl. No.: **29/661,949**

(22) Filed: **Aug. 31, 2018**

Related U.S. Application Data

(63) Continuation of application No. 29/586,038, filed on Nov. 30, 2016, now Pat. No. Des. 830,546.

(51) **LOC (12) Cl.** **24-02**

(52) **U.S. Cl.**
USPC **D24/127; D24/111**

(58) **Field of Classification Search**
USPC D24/108, 112, 114, 127, 128, 129, 130, D24/133, 141, 146, 147, 152, 186, 214,
(Continued)

(56) **References Cited**

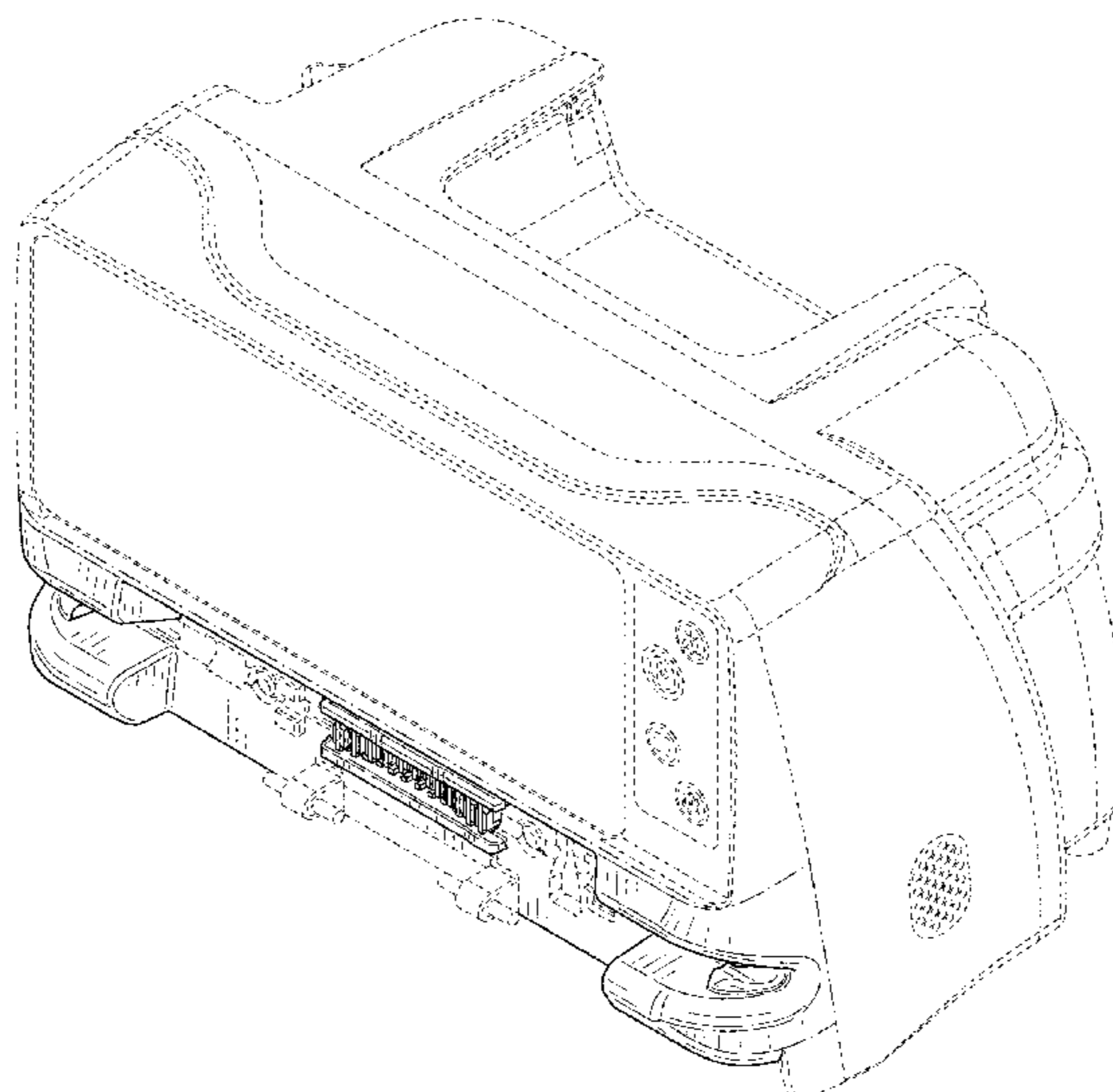
U.S. PATENT DOCUMENTS

4,756,706 A 7/1988 Kerns et al.
5,364,364 A 11/1994 Kasvikis et al.

(Continued)

FIG. 1 is a perspective view of the receptacle area of infusion pump according to an embodiment of the invention. FIG. 2 is a front elevation view of the receptacle area of infusion pump. FIG. 3 is a rear elevation view of the receptacle area of infusion pump. FIG. 4 is a side elevation view of the receptacle area of infusion pump. FIG. 5 is another side elevation view of the receptacle area of infusion pump, from the side opposite that in FIG. 4. FIG. 6 is a top plan view of the receptacle area of infusion pump. FIG. 7 is a bottom plan view of the receptacle area of infusion pump. FIG. 8 is another perspective view of the receptacle area of infusion pump; and, FIG. 9 is another front view of the receptacle area of infusion pump. Items shown in broken lines depict portions of the infusion pump that form no part of the claimed invention. The dash-dot lines represent the bounds of the claimed design.

1 Claim, 9 Drawing Sheets



(58) **Field of Classification Search**

USPC D24/215; D8/93, 97, 300, 310, 311;
 D23/129, 223, 249, 259, 262; D16/202;
 D14/171, 196
 CPC A61B 1/00094; A61M 2005/1583; A61M
 2005/1586; A61M 2005/3277; A61M
 5/158; A61M 5/1582; A61M 5/3243;
 A61M 25/0606; A61M 25/0612; A61M
 25/0631; A61M 25/0637; A61M 5/14228;
 A61M 5/142; A61F 2002/9517; F04B
 43/082; F04B 43/1223

See application file for complete search history.

(56) **References Cited**

U.S. PATENT DOCUMENTS

D367,527 S	2/1996	Marston et al.	
D390,654 S	2/1998	Alsberg et al.	
D586,463 S	2/2009	Evans et al.	
8,499,108 B2	7/2013	Edwards et al.	
D730,514 S	5/2015	Boaz et al.	
D765,832 S	9/2016	Hochman et al.	
D801,519 S	10/2017	Sabin et al.	
D803,386 S	11/2017	Sabin et al.	
D803,387 S	11/2017	Bodwell et al.	
D812,218 S *	3/2018	Lacy	A61M 5/1452
			D24/111
D830,546 S *	10/2018	Lacy	D24/127
2009/0043252 A1	2/2009	Haylor et al.	
2015/0314066 A1	11/2015	Shimzu	
2017/0258985 A1 *	9/2017	Adams	A61M 5/1452
2018/0140770 A1 *	5/2018	Hetchler	A61M 5/142

* cited by examiner

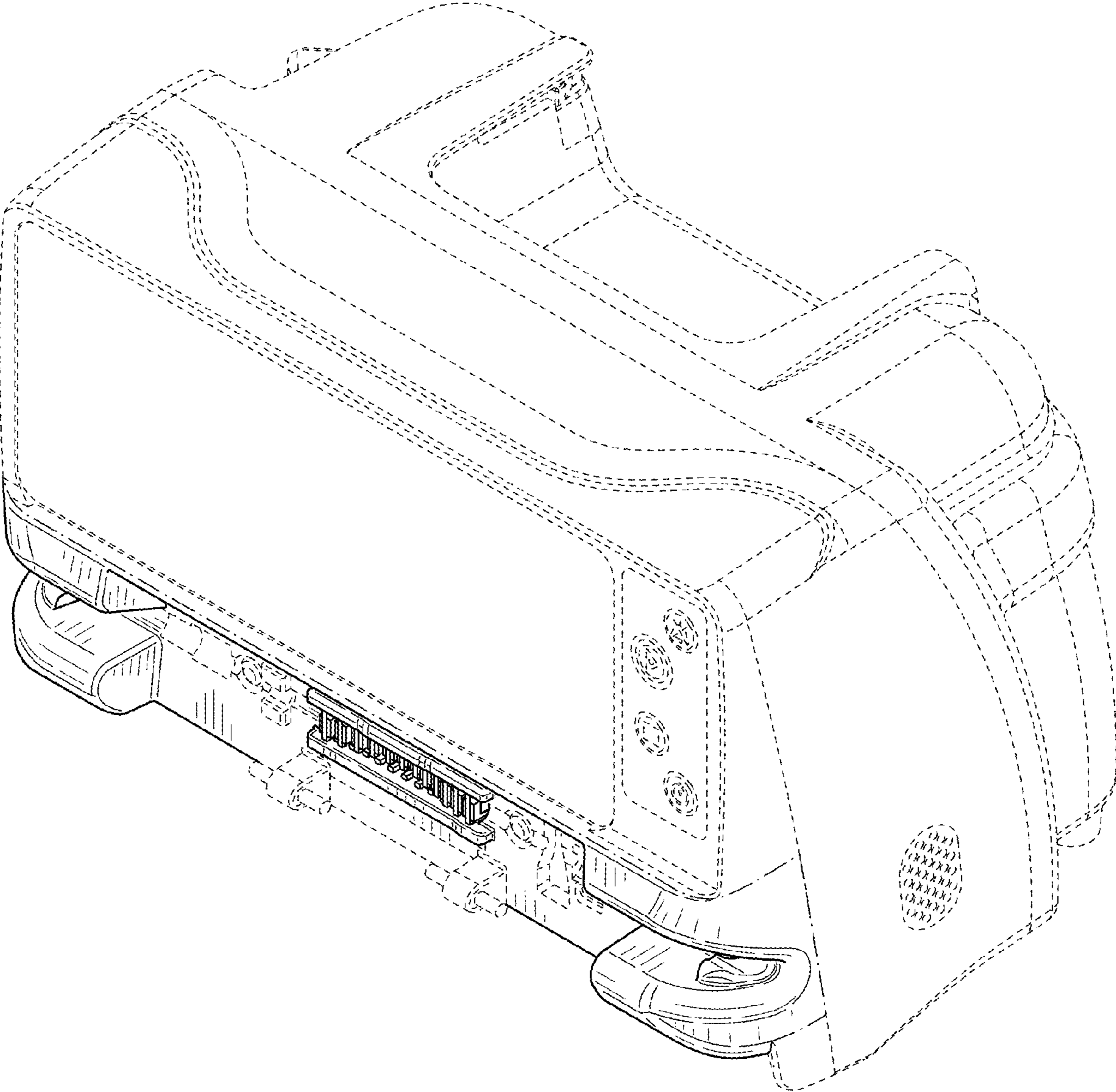


FIG. 1

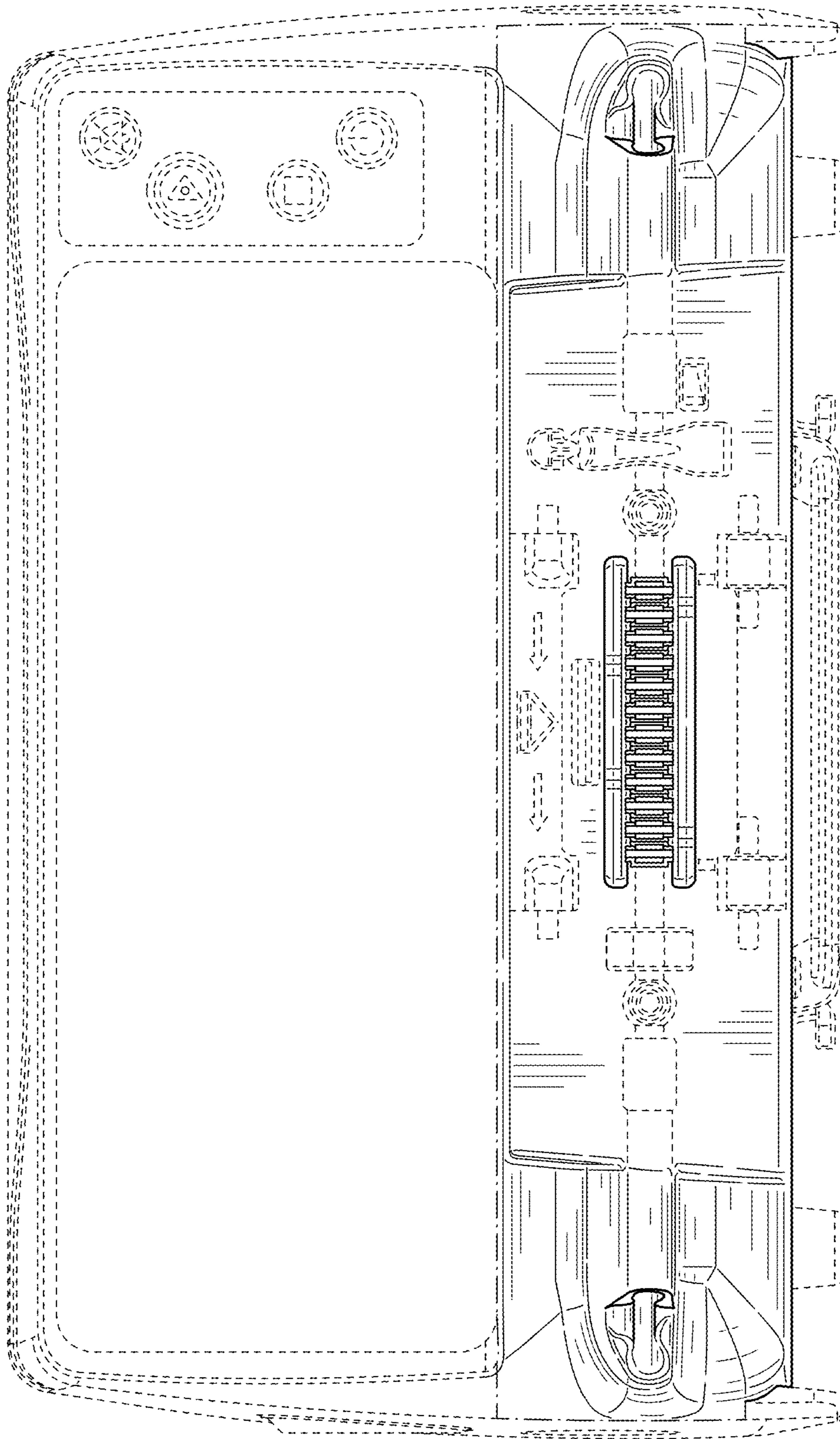


FIG. 2

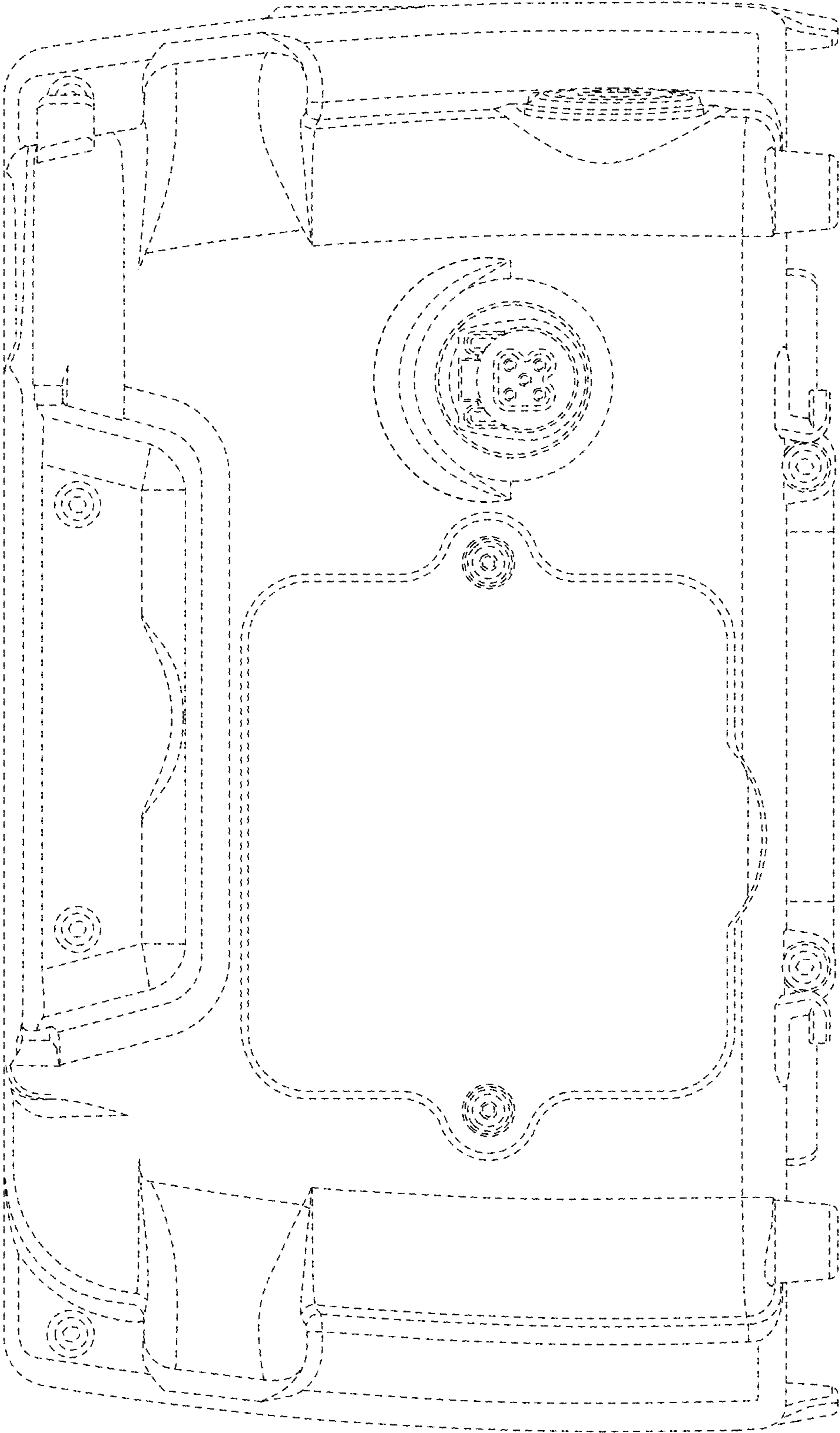


FIG. 3

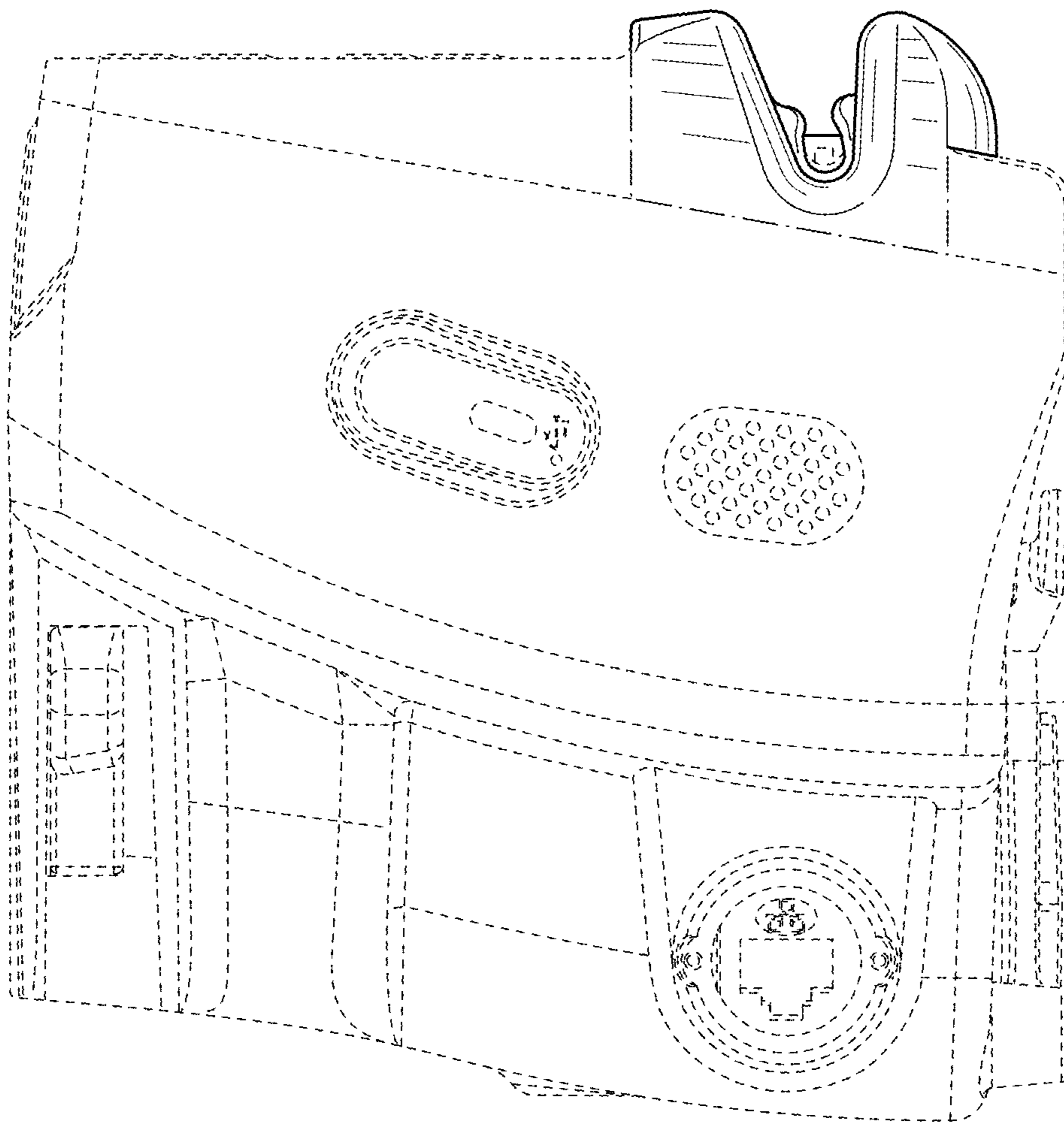


FIG. 4

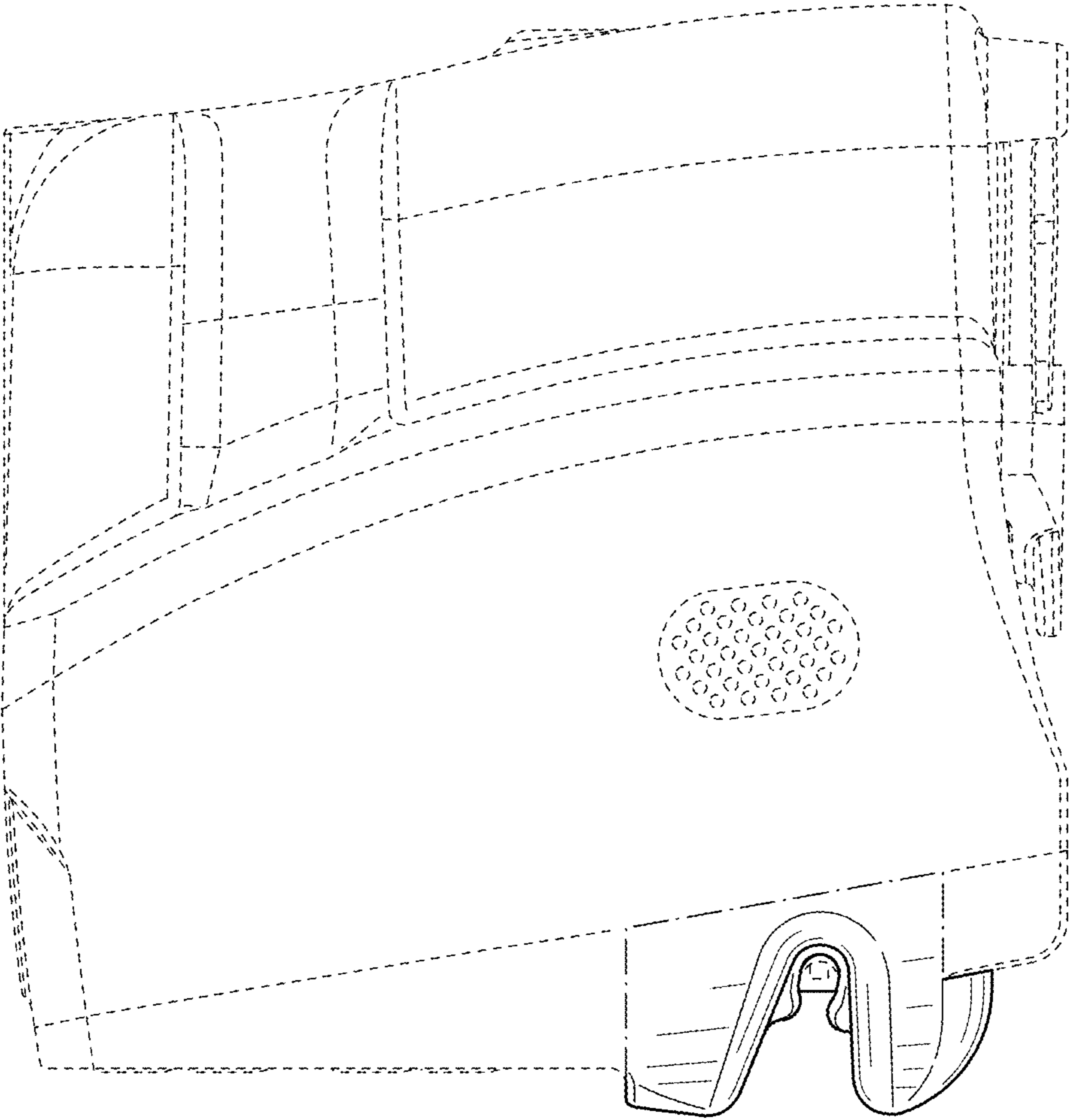


FIG. 5

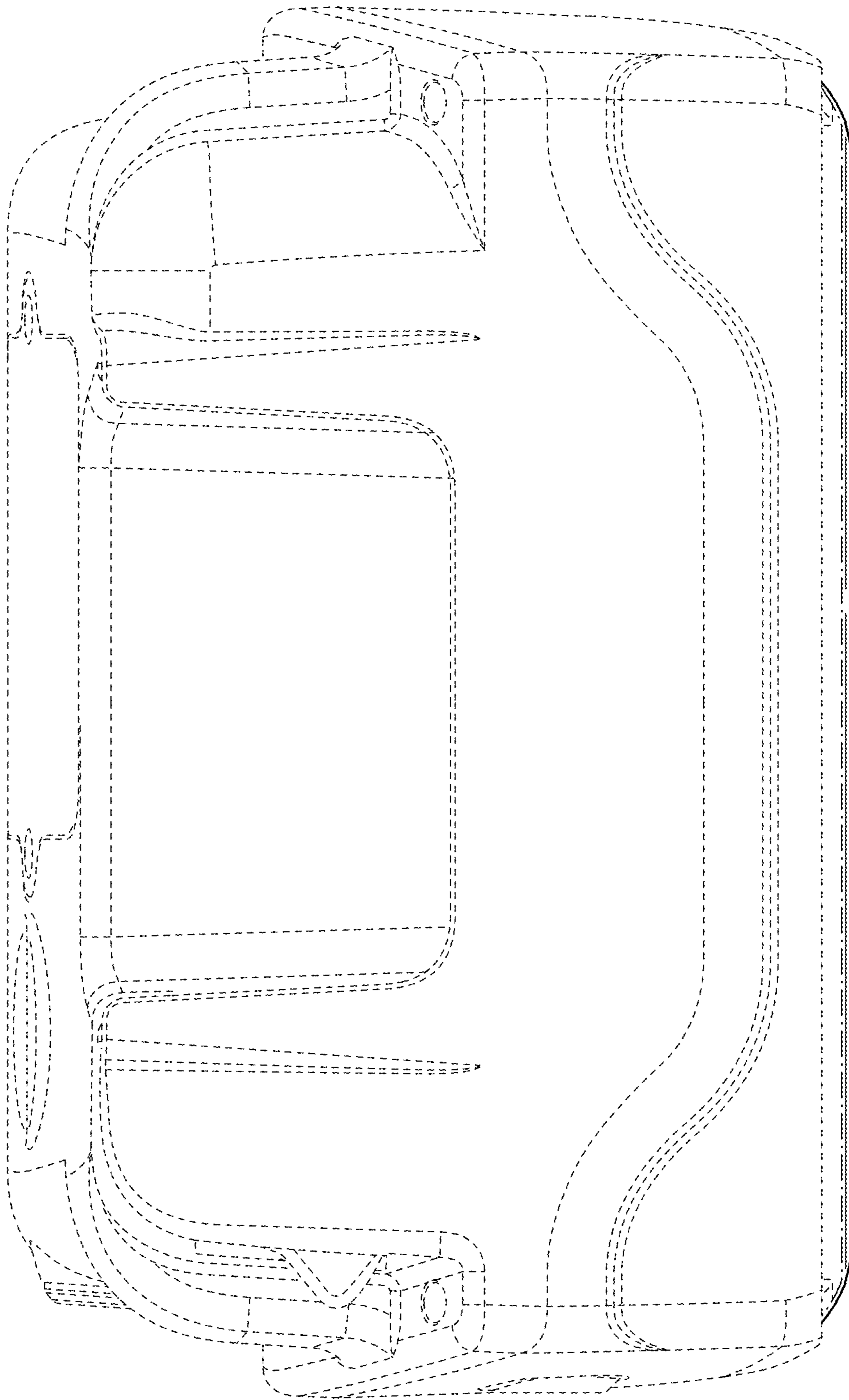


FIG. 6

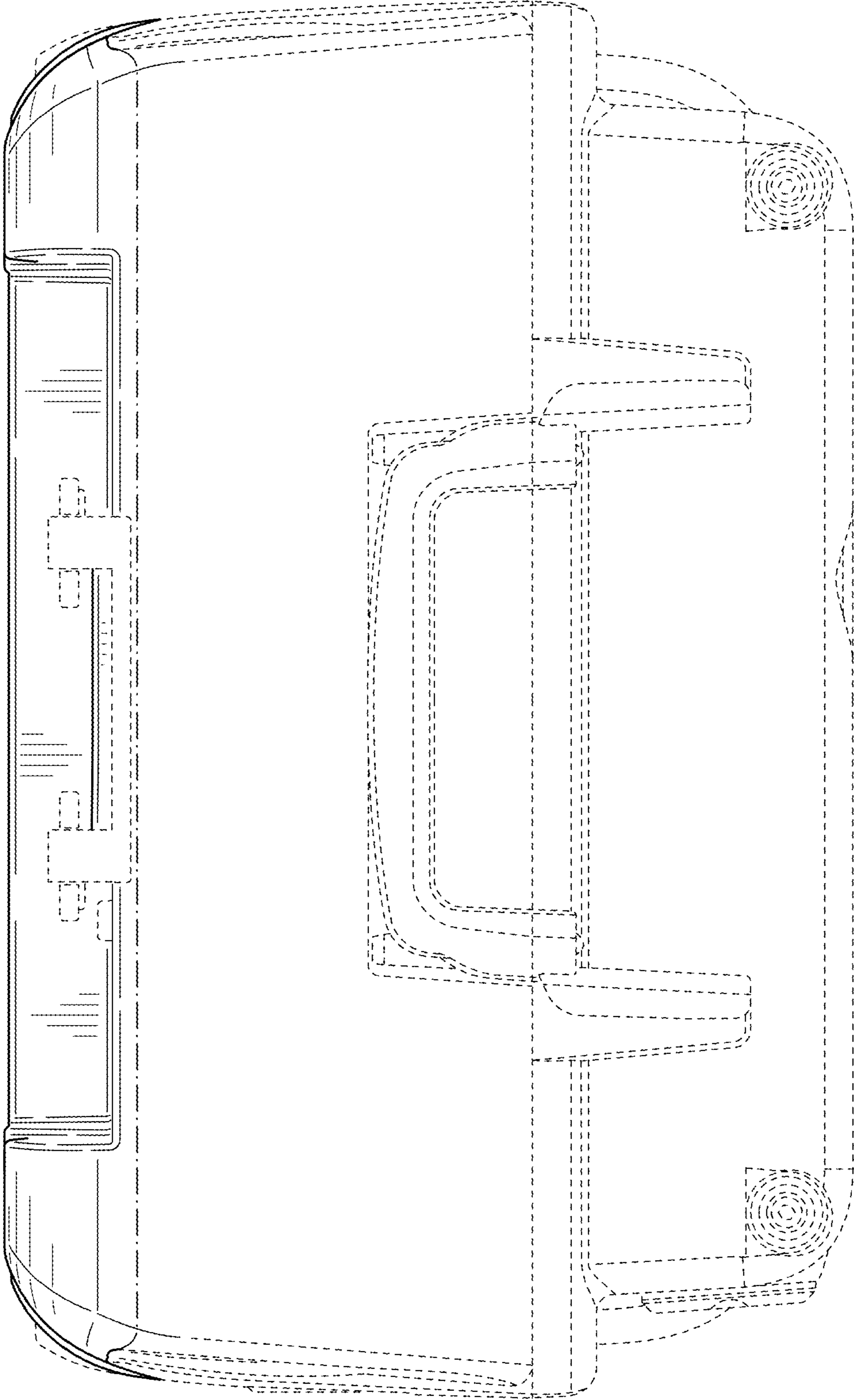


FIG. 7

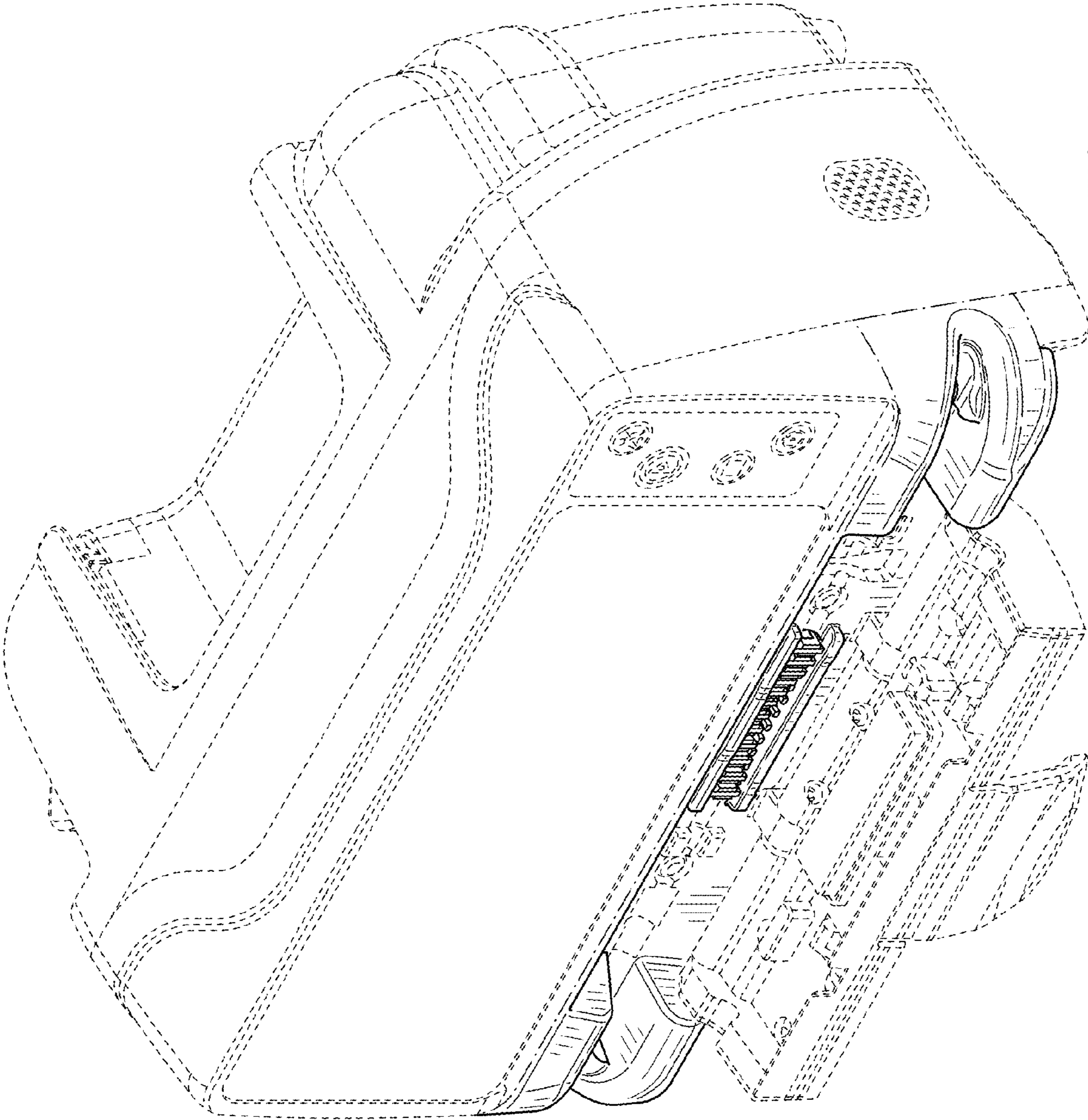


FIG. 8

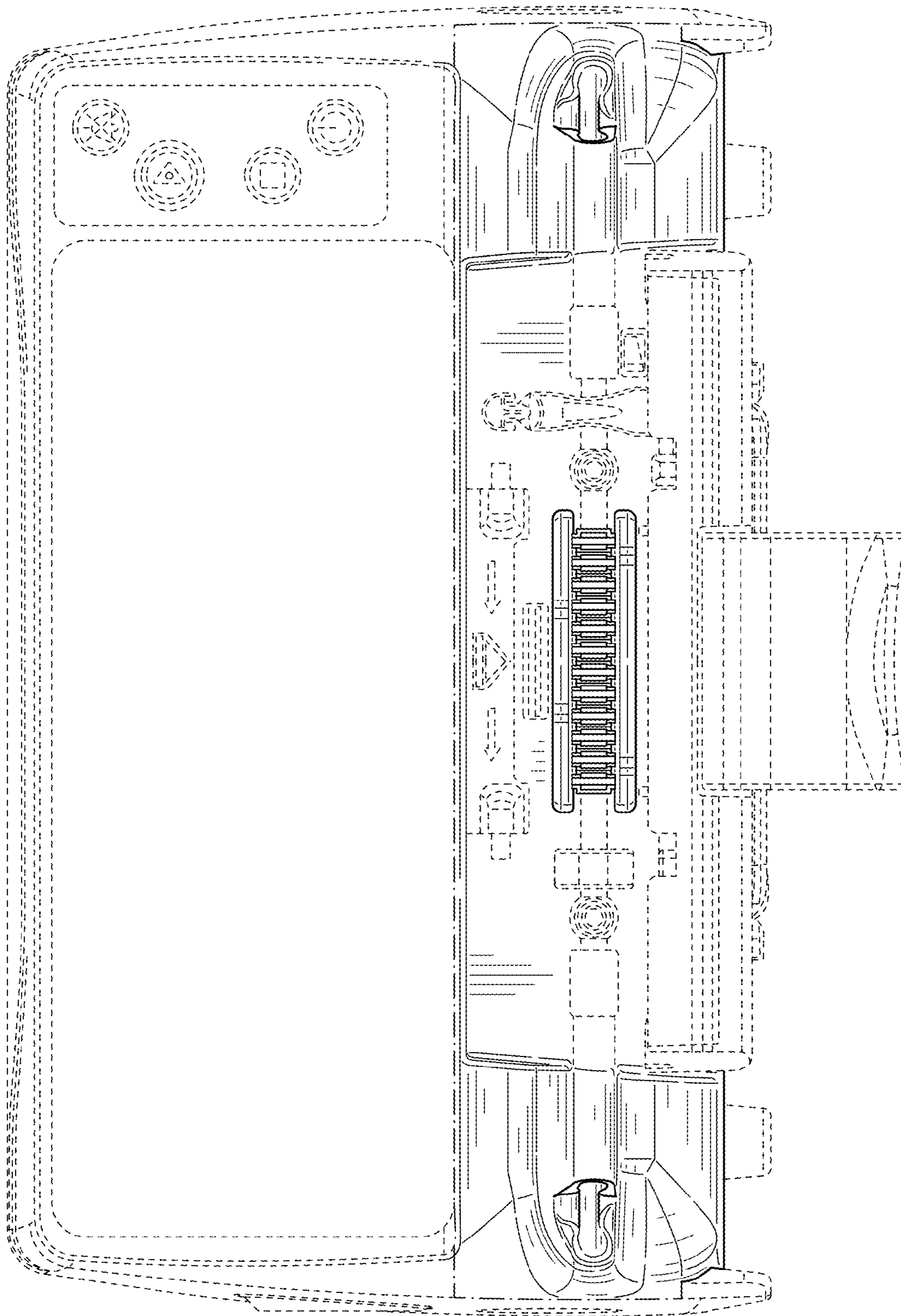


FIG. 9