



US00D871570S

(12) **United States Design Patent** (10) **Patent No.:** **US D871,570 S**
Pang et al. (45) **Date of Patent:** **** Dec. 31, 2019**

(54) **DIVING MASK**

(71) Applicant: **Guangzhou Baitai Sports Products Co., Ltd.**, Guangzhou, Guangdong (CN)

(72) Inventors: **Guangfu Pang**, Guangdong (CN); **Bingwei Ge**, Guangdong (CN)

(73) Assignee: **Guangzhou Baitai Sports Products Co., Ltd.**, Guangzhou (CN)

(**) Term: **15 Years**

(21) Appl. No.: **29/665,367**

(22) Filed: **Oct. 2, 2018**

(30) **Foreign Application Priority Data**

Sep. 19, 2018 (CN) 2018 3 0527610

(51) **LOC (12) Cl.** **29-02**

(52) **U.S. Cl.**
USPC **D24/110.2; D24/110.4**

(58) **Field of Classification Search**
USPC D24/110-110.6; D29/110
CPC B63C 11/205; B63C 11/16; B63C 11/186;
B63C 11/12
See application file for complete search history.

(56) **References Cited**

U.S. PATENT DOCUMENTS

D775,722 S *	1/2017	Caprice	D24/110.2
D838,358 S *	1/2019	Xu	D24/110.2
D839,408 S *	1/2019	Hu	D24/110.2
D849,932 S *	5/2019	Caprice	D24/110.2
D852,265 S *	6/2019	Liao	D24/110.2
D852,266 S *	6/2019	Liao	D24/110.2
D859,642 S *	9/2019	Xiong	D24/110.2
D860,436 S *	9/2019	Chen	D24/110.2
2016/0297505 A1 *	10/2016	Caprice	B63C 11/16

2017/0096204 A1 *	4/2017	Cucchia	B63C 11/12
2018/0065719 A1 *	3/2018	Liao	B63C 11/14
2018/0297676 A1 *	10/2018	Zheng	B63C 11/16
2019/0023366 A1 *	1/2019	Liao	B63C 11/16
2019/0039702 A1 *	2/2019	Gamberini	B63C 11/12
2019/0224506 A1 *	7/2019	Palmieri	A62B 9/02

(Continued)

FOREIGN PATENT DOCUMENTS

EM	004739191-0001	*	3/2018
EM	005454006-0003	*	7/2018
EM	005454006-0004	*	7/2018

(Continued)

OTHER PUBLICATIONS

Thenice Children Snorkeling Mask. ChinaGlobalMall.com. Date accessed: Oct. 4, 2019. Retrieved from internet: <http://www.chinaglobalmall.com/products/570590691019> (Year: 2019).*

Primary Examiner — Lilyana Bekic

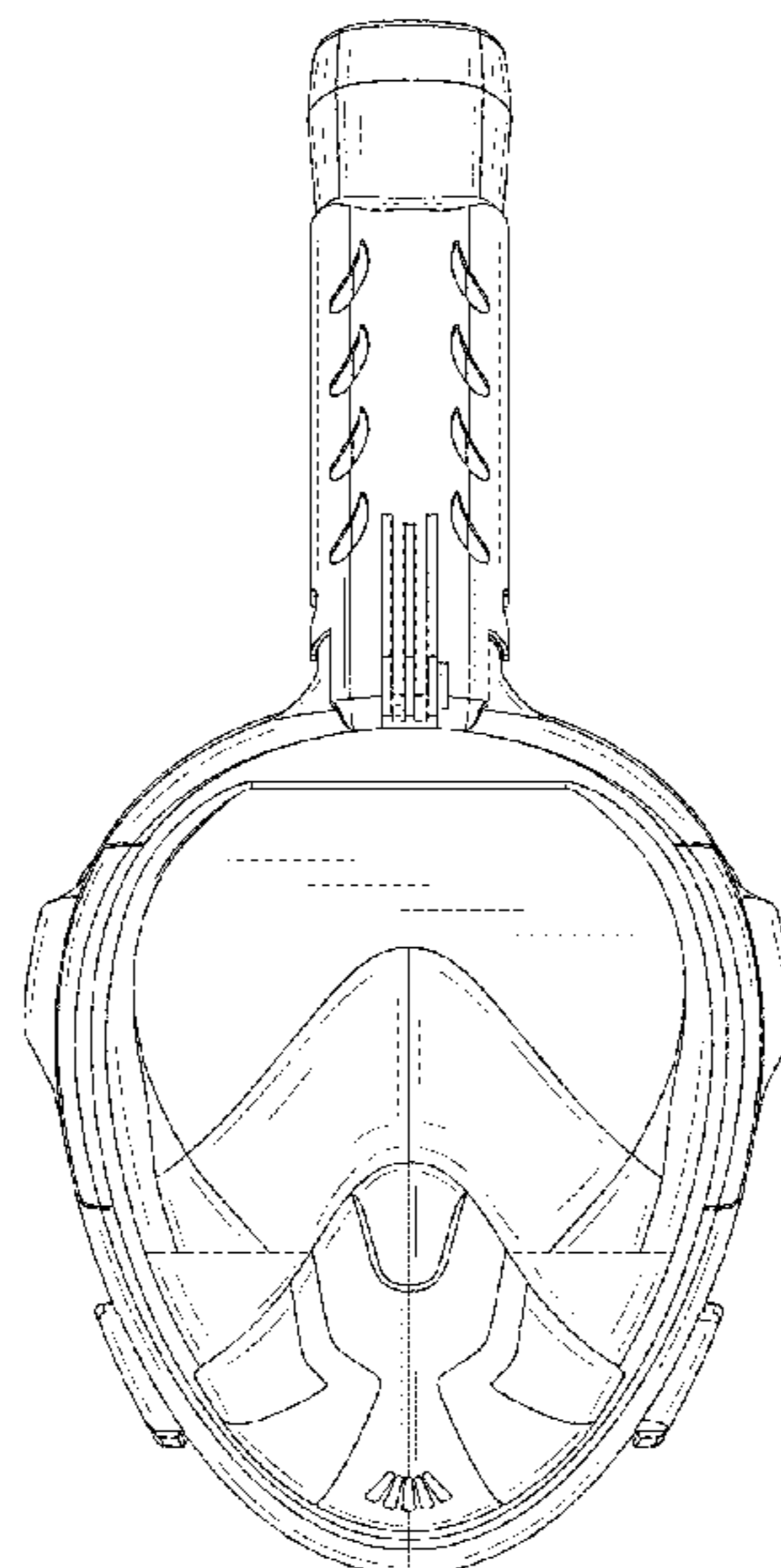
(57) **CLAIM**

The ornamental design for a diving mask, as shown and described.

DESCRIPTION

FIG. 1 is a front elevational view of a diving mask showing our new design;
FIG. 2 is a rear elevational view thereof;
FIG. 3 is a left side view thereof;
FIG. 4 is a right side view thereof;
FIG. 5 is a top plan view thereof;
FIG. 6 is a bottom plan view thereof;
FIG. 7 is a top, front and right side perspective view thereof;
FIG. 8 is a bottom, rear and left side perspective view thereof; and,
FIG. 9 is a top, front and right side perspective view showing the diving mask in a disassembled state.

1 Claim, 9 Drawing Sheets



(56)

References Cited

U.S. PATENT DOCUMENTS

2019/0225311 A1* 7/2019 Barone B63C 11/16

FOREIGN PATENT DOCUMENTS

EM	005940749-0001	*	1/2019
EM	006260204-0001	*	2/2019
GB	6029162	*	3/2018

* cited by examiner

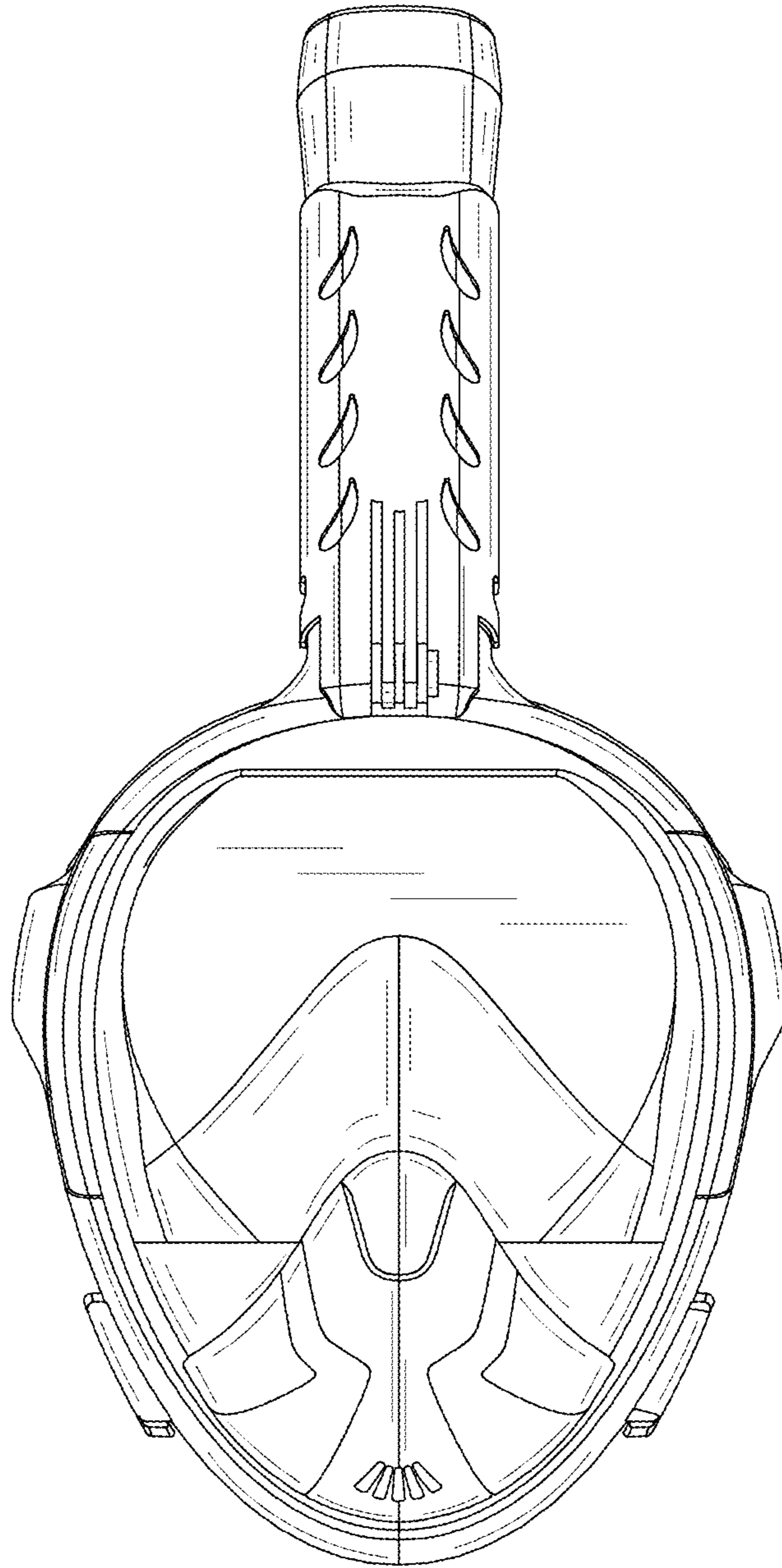


FIG. 1

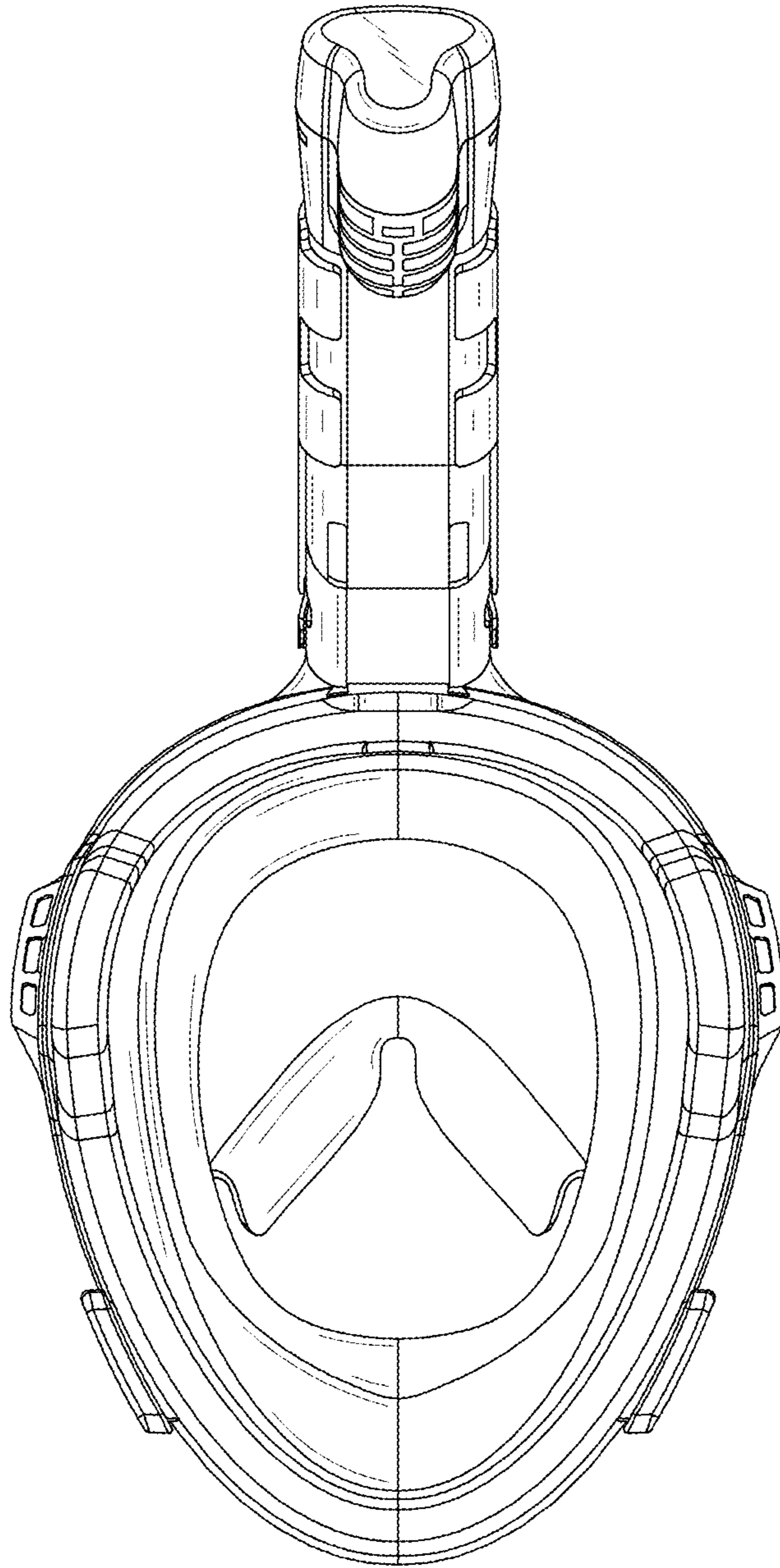


FIG.2

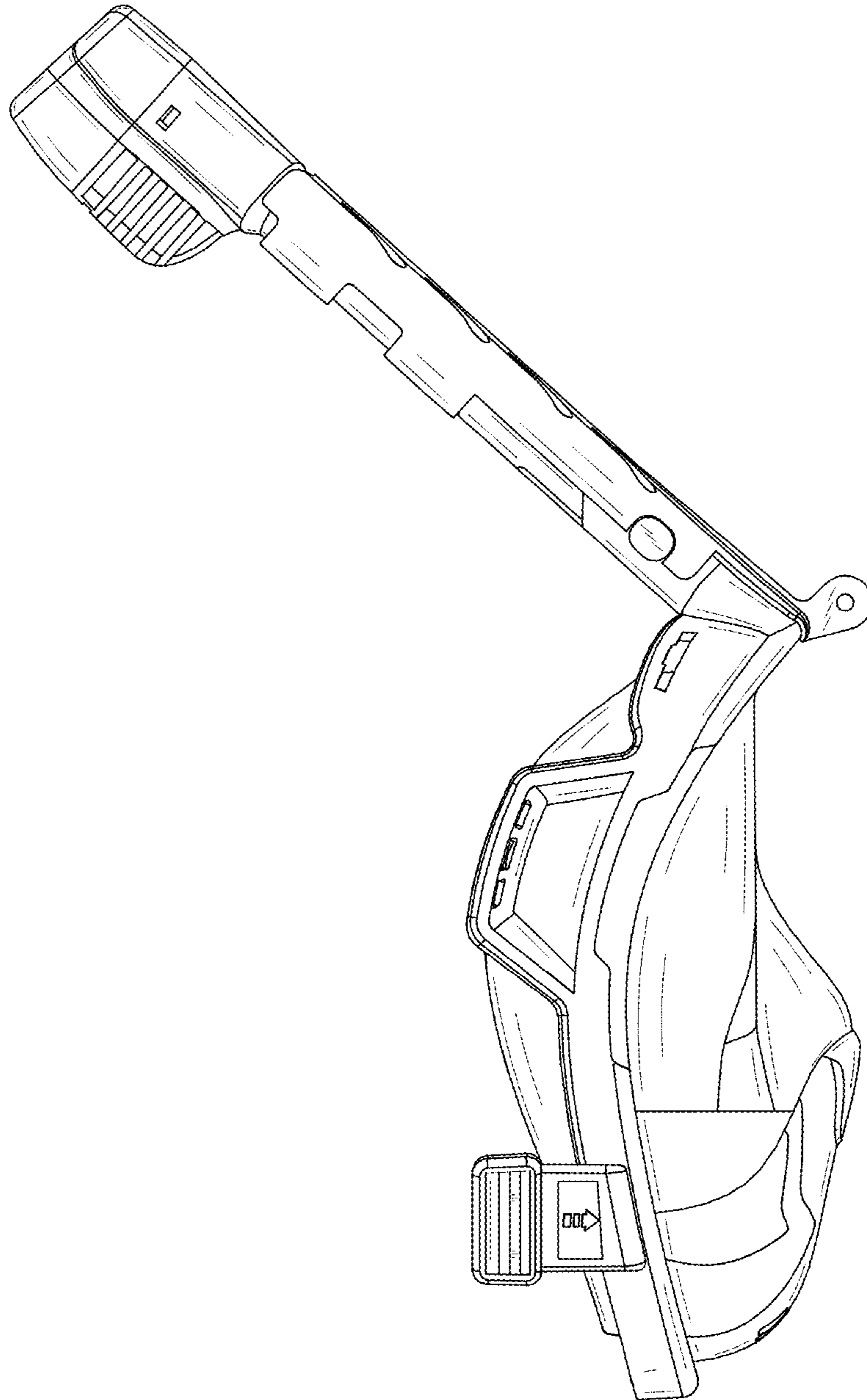


FIG.3

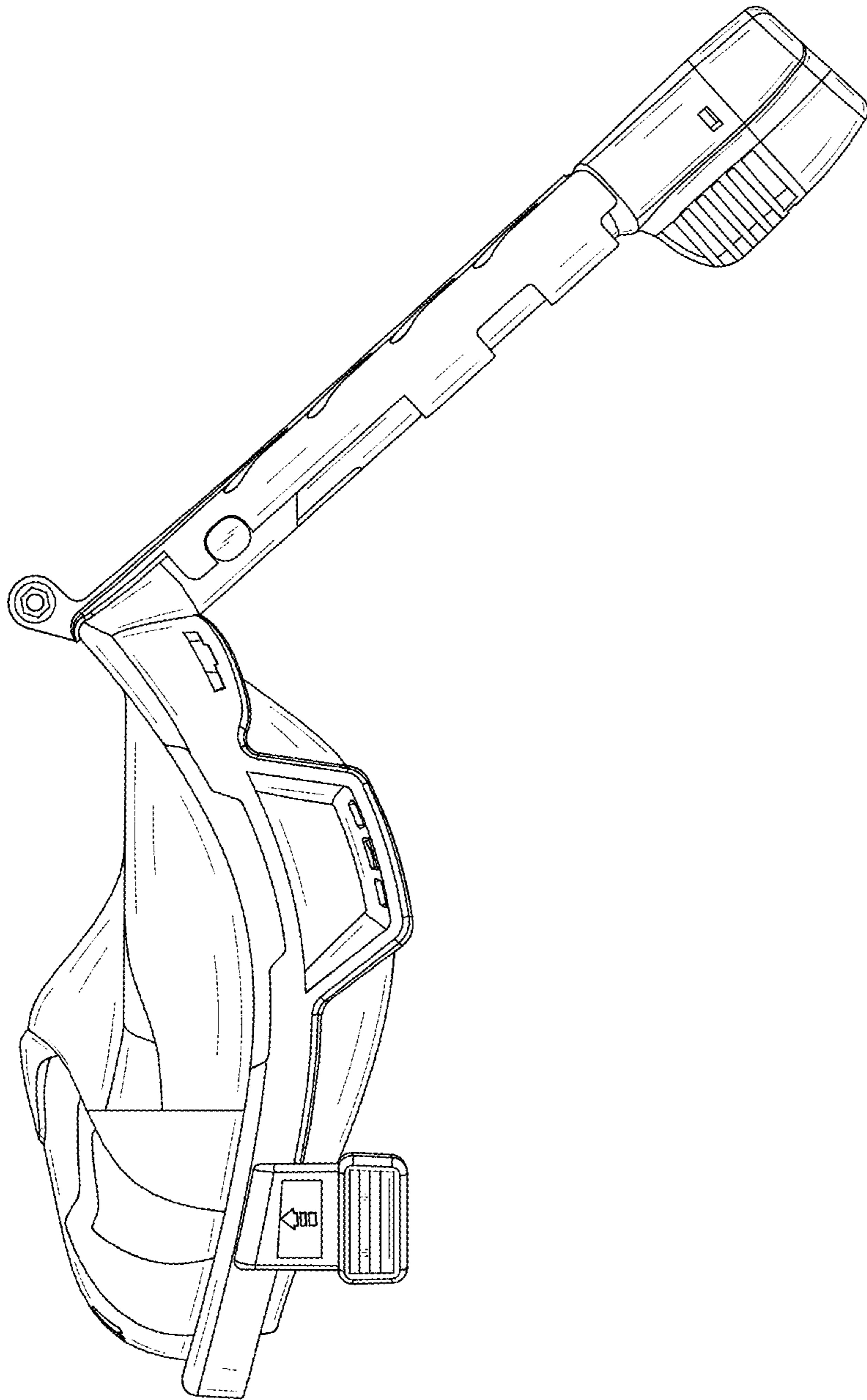


FIG.4

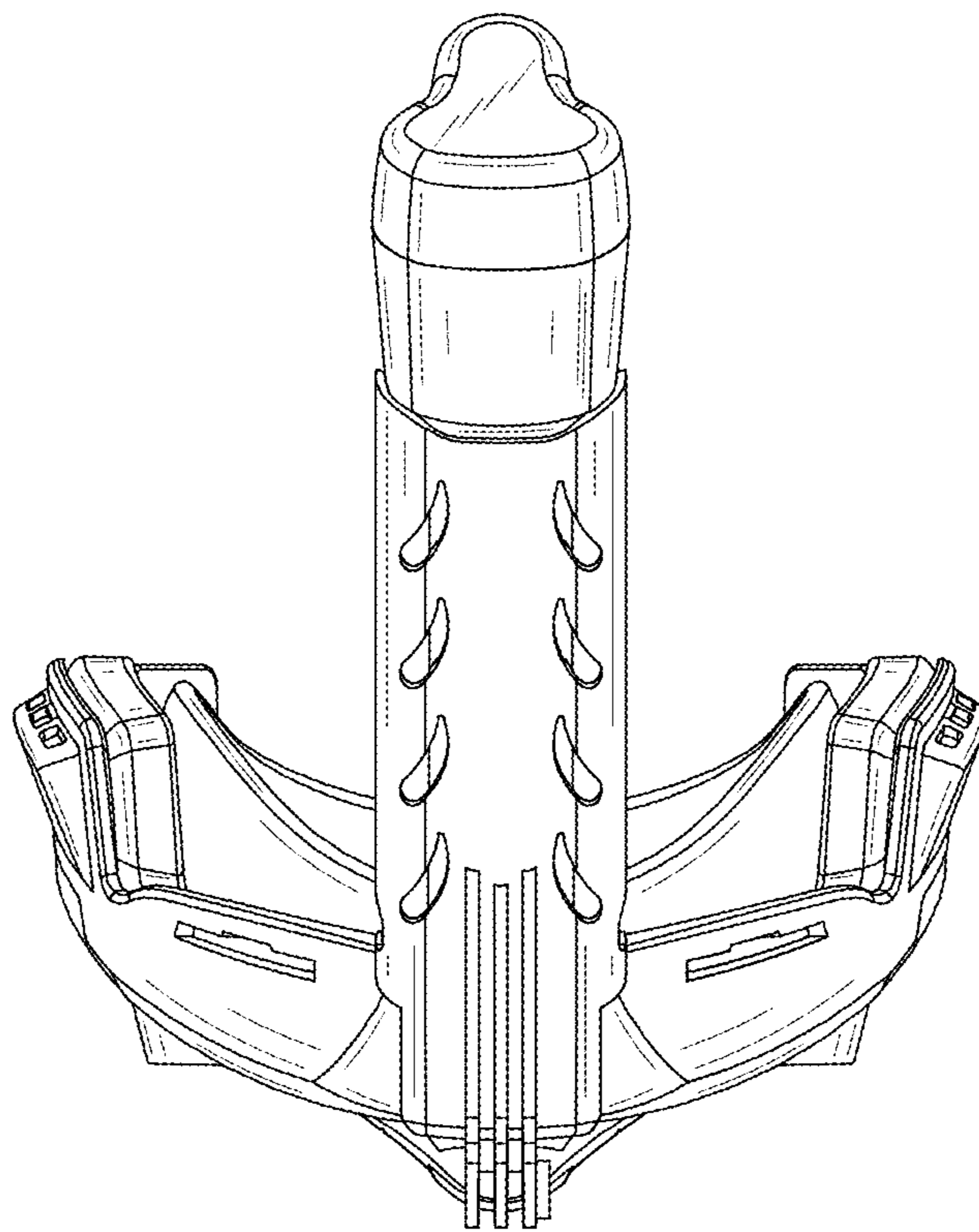


FIG.5

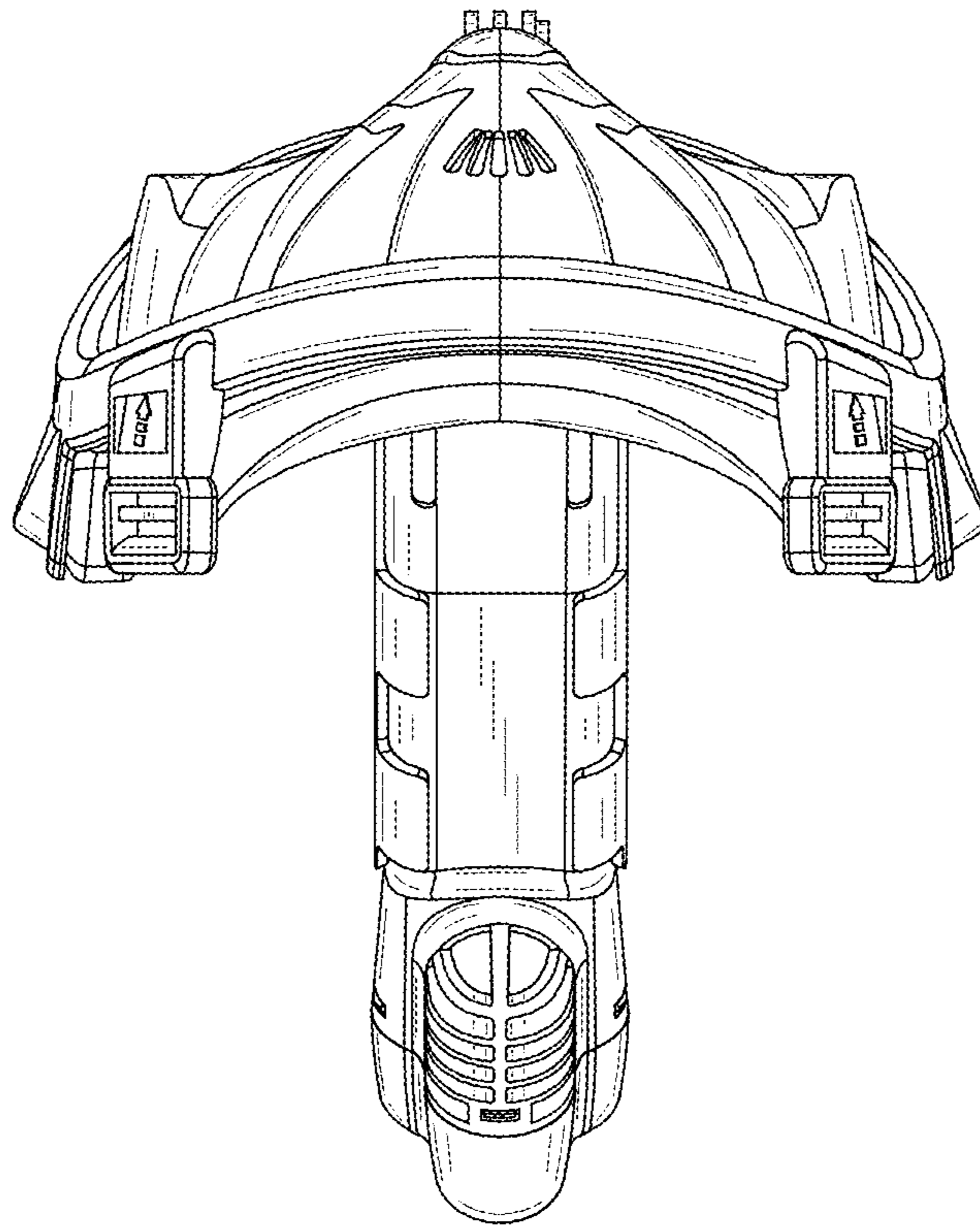


FIG.6

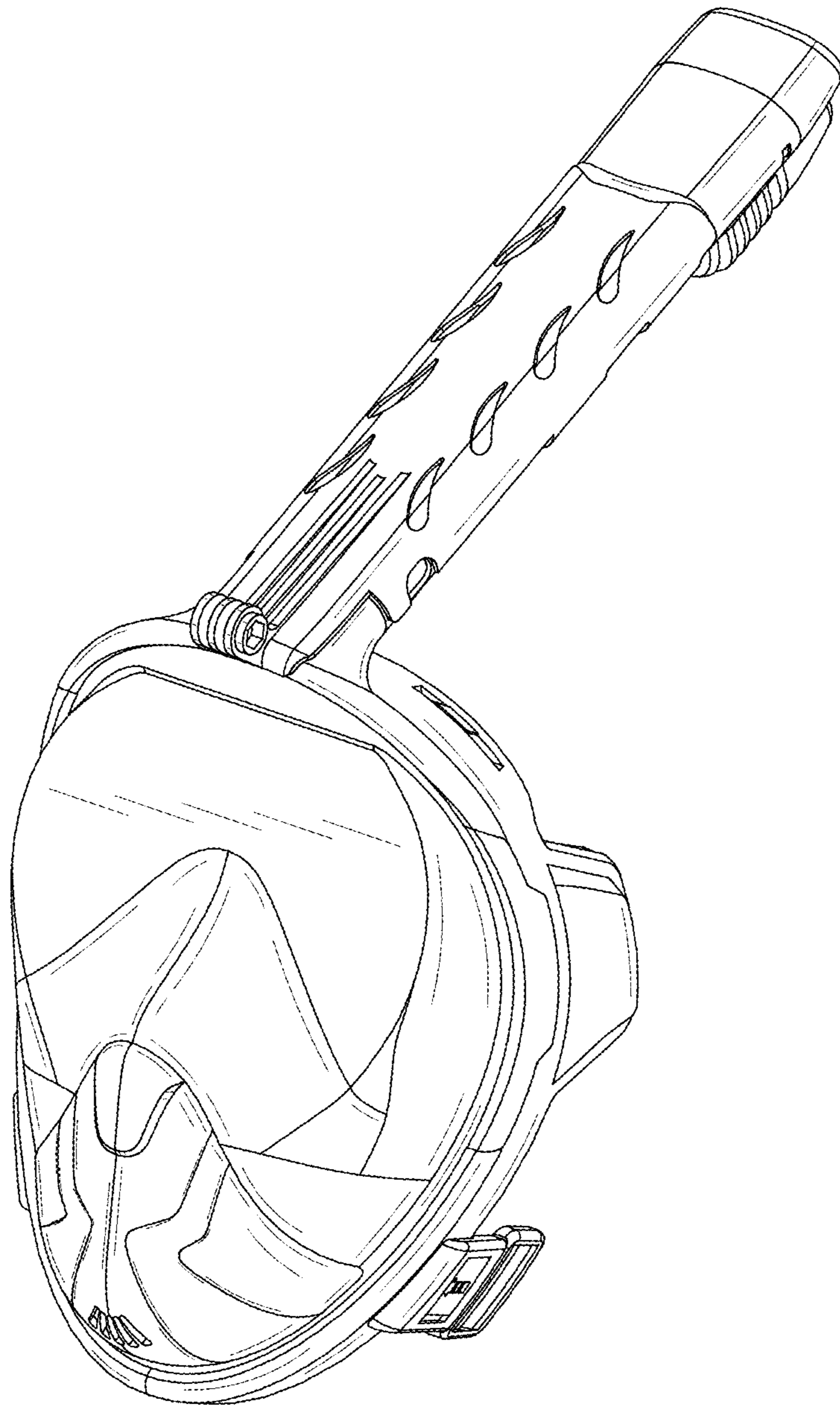


FIG. 7

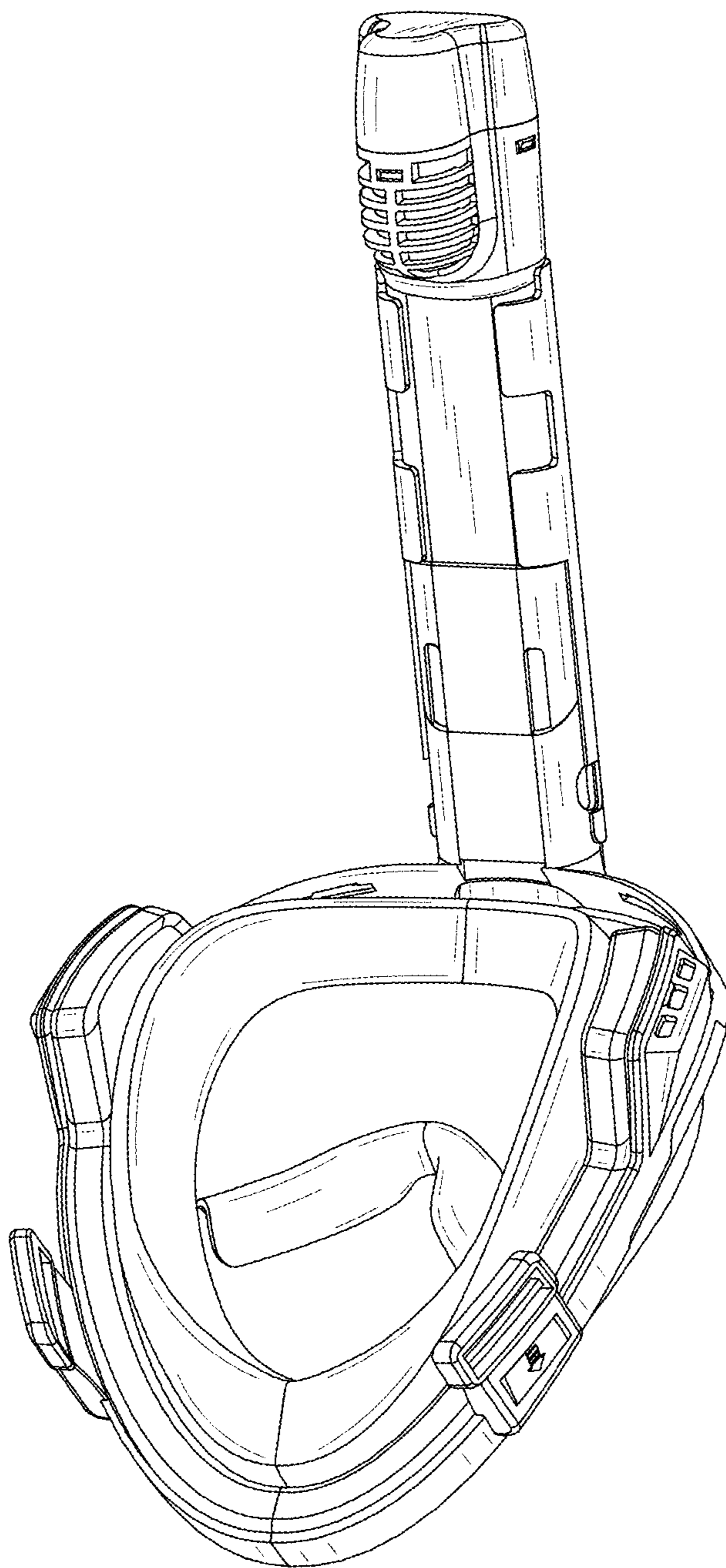


FIG.8

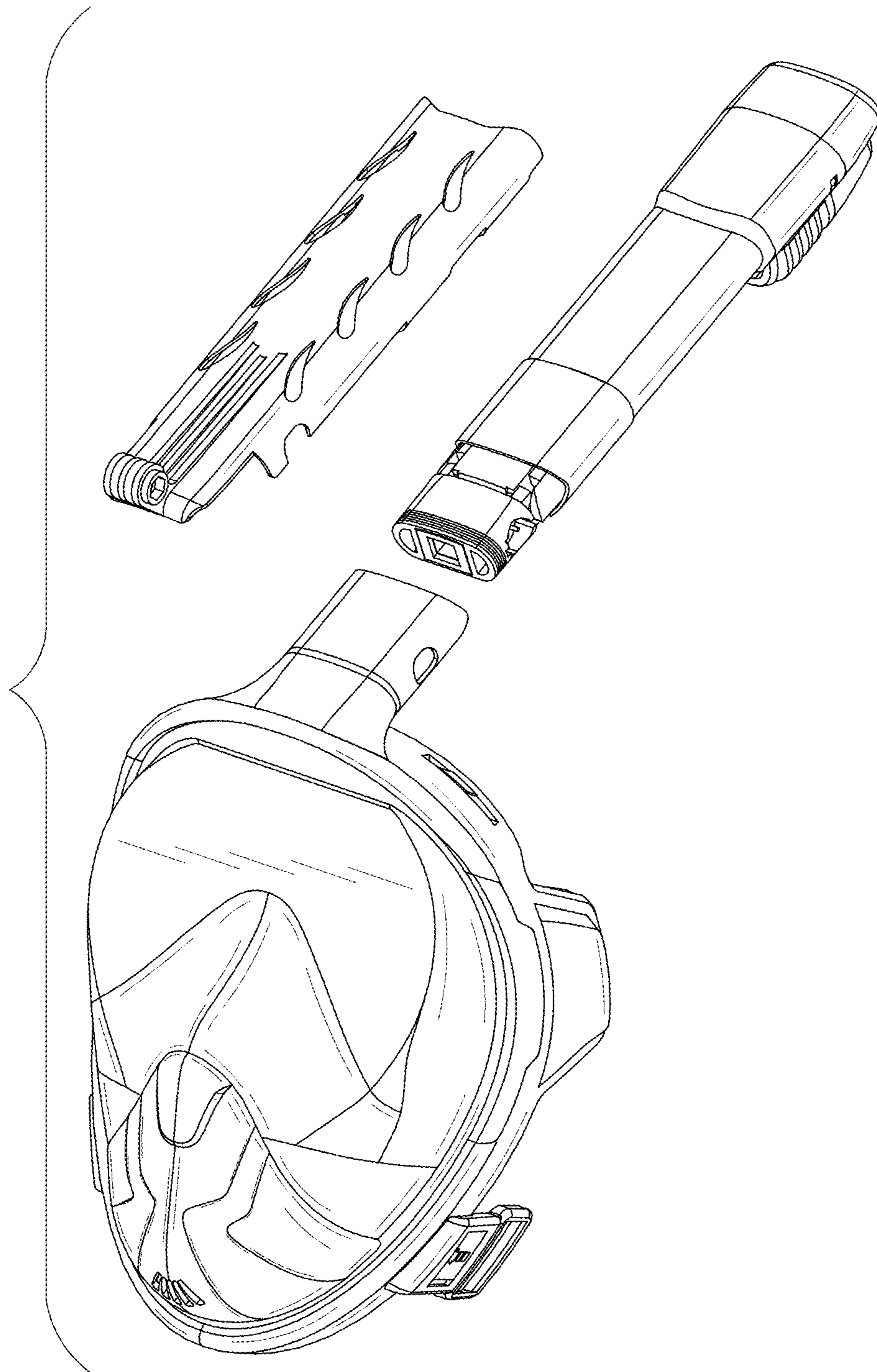


FIG.9