



US00D871568S

(12) **United States Design Patent**
Pratt et al.

(10) **Patent No.:** **US D871,568 S**

(45) **Date of Patent:** **** Dec. 31, 2019**

(54) **NEGATIVE PRESSURE APPARATUS
MODULE**

D810,299 S * 2/2018 Milligan D24/164
D812,192 S * 3/2018 Lamiable D23/235
2016/0045647 A1* 2/2016 Croizat A61M 1/0001
604/319

(71) Applicant: **KCI Licensing, Inc.**, San Antonio, TX
(US)

* cited by examiner

(72) Inventors: **Benjamin Andrew Pratt**, Poole (GB);
James Killingworth Seddon, Ferndown
(GB); **Justin Rice**, San Antonio, TX
(US)

Primary Examiner — Lilyana Bekic
Assistant Examiner — Aula Soroush

(73) Assignee: **KCI Licensing, Inc.**, San Antonio, TX
(US)

(57) **CLAIM**

The ornamental design for a negative pressure apparatus module, as shown and described.

(**) Term: **15 Years**

(21) Appl. No.: **29/586,334**

DESCRIPTION

(22) Filed: **Dec. 2, 2016**

(51) **LOC (12) Cl.** **29-02**

(52) **U.S. Cl.**
USPC **D24/110**

(58) **Field of Classification Search**
USPC D24/107–108, 110–114, 127, 162, 164,
D24/185–186

CPC A62B 18/00; A62B 18/02; A62B 18/025;
A62B 18/10; A62B 18/08; A62B 23/02
See application file for complete search history.

FIG. 1 is a top and front isometric view of a negative pressure apparatus module, shown in an environment of use; FIG. 2 is a bottom and front isometric view thereof; FIG. 3 is a front elevation view of the negative pressure apparatus module; FIG. 4 is a right side view thereof; FIG. 5 is a left side view thereof; FIG. 6 is a bottom plan view thereof; FIG. 7 is a bottom and front isometric view thereof; and, FIG. 8 is a top and rear isometric view thereof.

The broken line showing of the negative pressure apparatus in FIGS. 1-2 depicts environmental structure and forms no part of the claimed design. All other broken lines in the drawings depict portions of the negative pressure apparatus module that form no part of the claimed design.

(56) **References Cited**

U.S. PATENT DOCUMENTS

D660,409 S * 5/2012 Taggerty D24/108
D797,275 S * 9/2017 Evans D24/108

1 Claim, 7 Drawing Sheets





FIG. 1

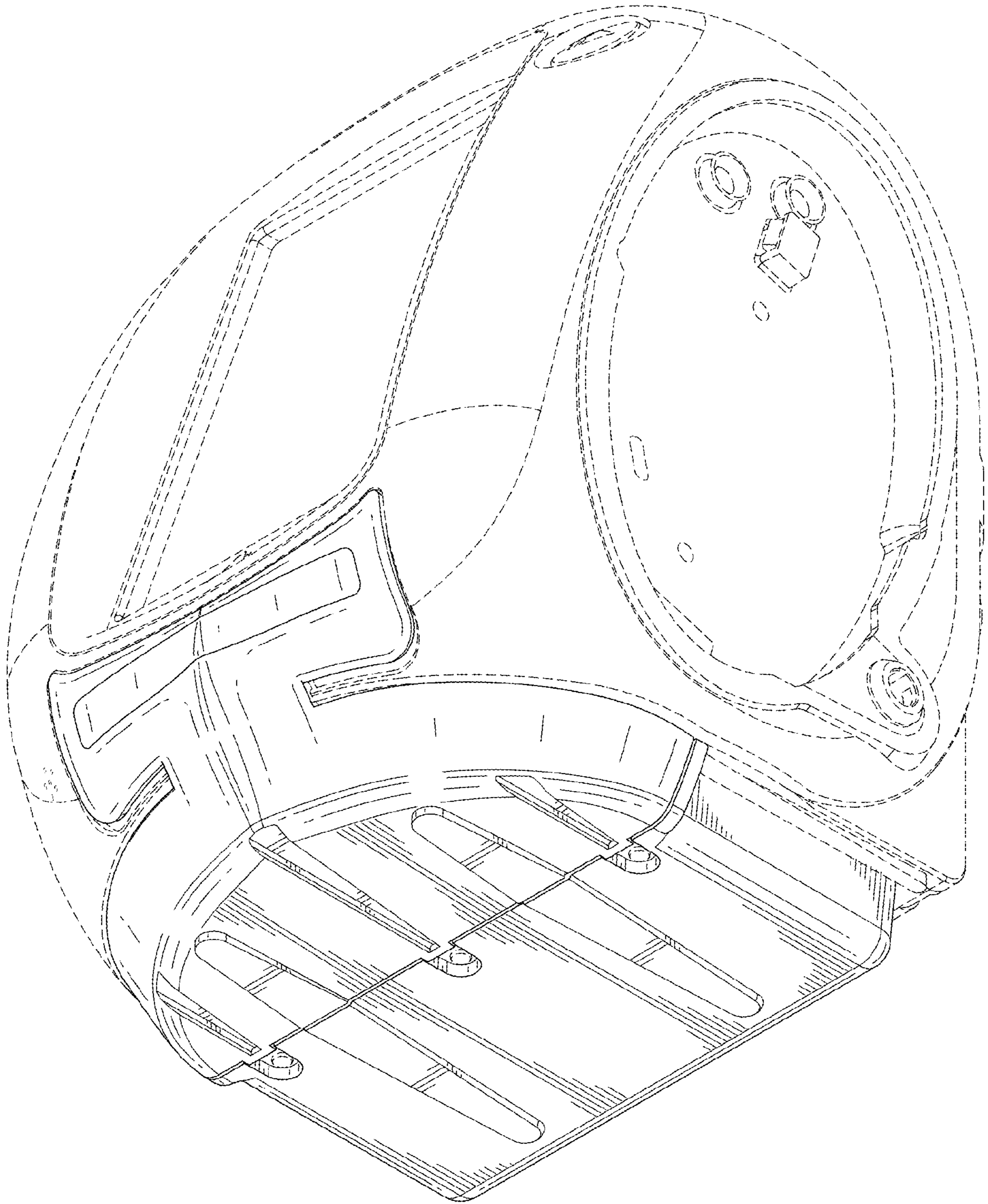


FIG. 2

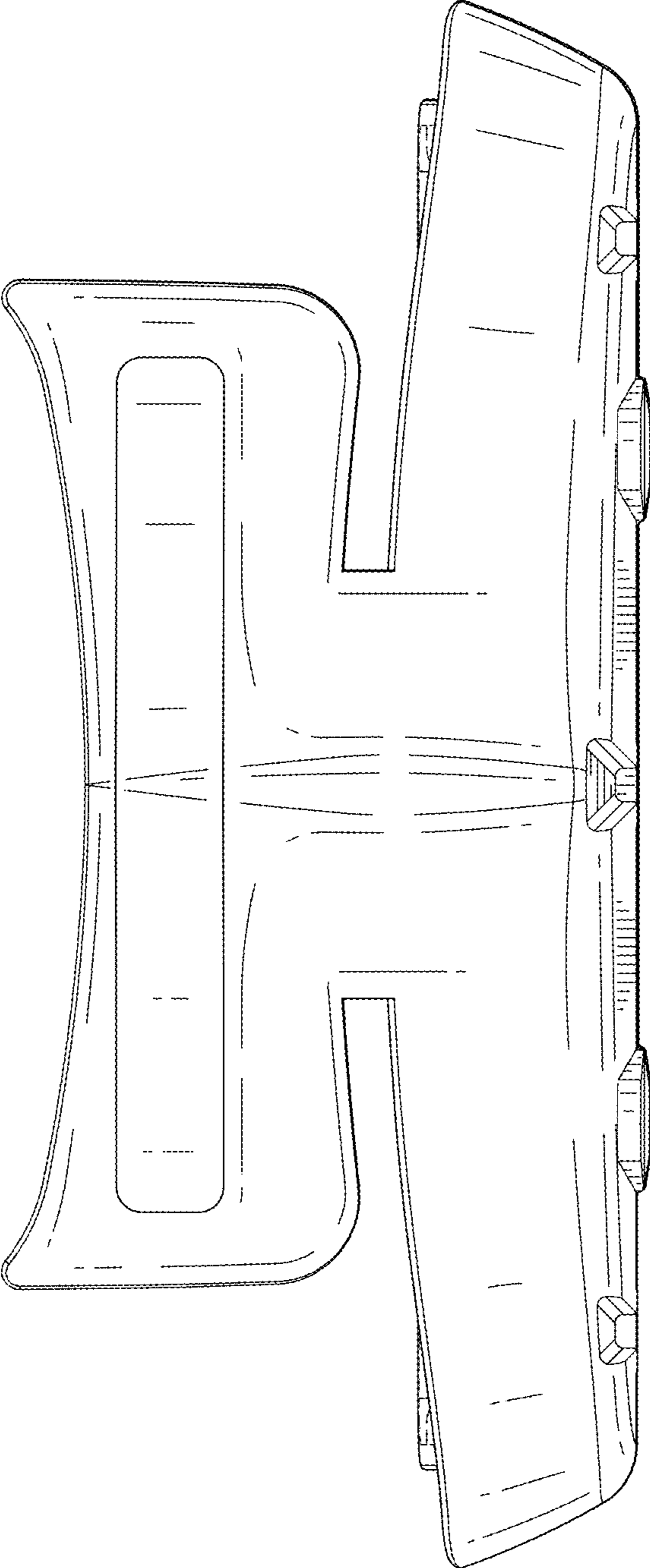


FIG. 3

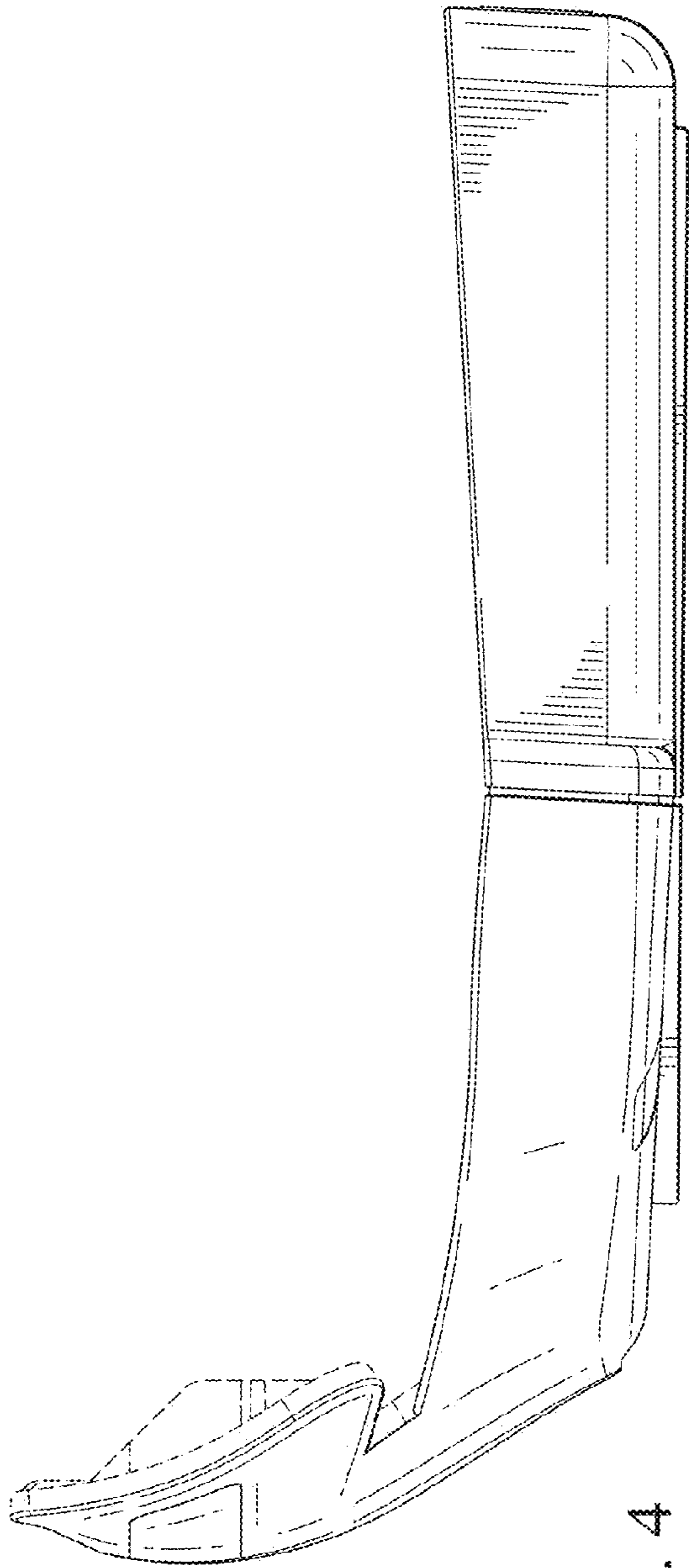


FIG. 4

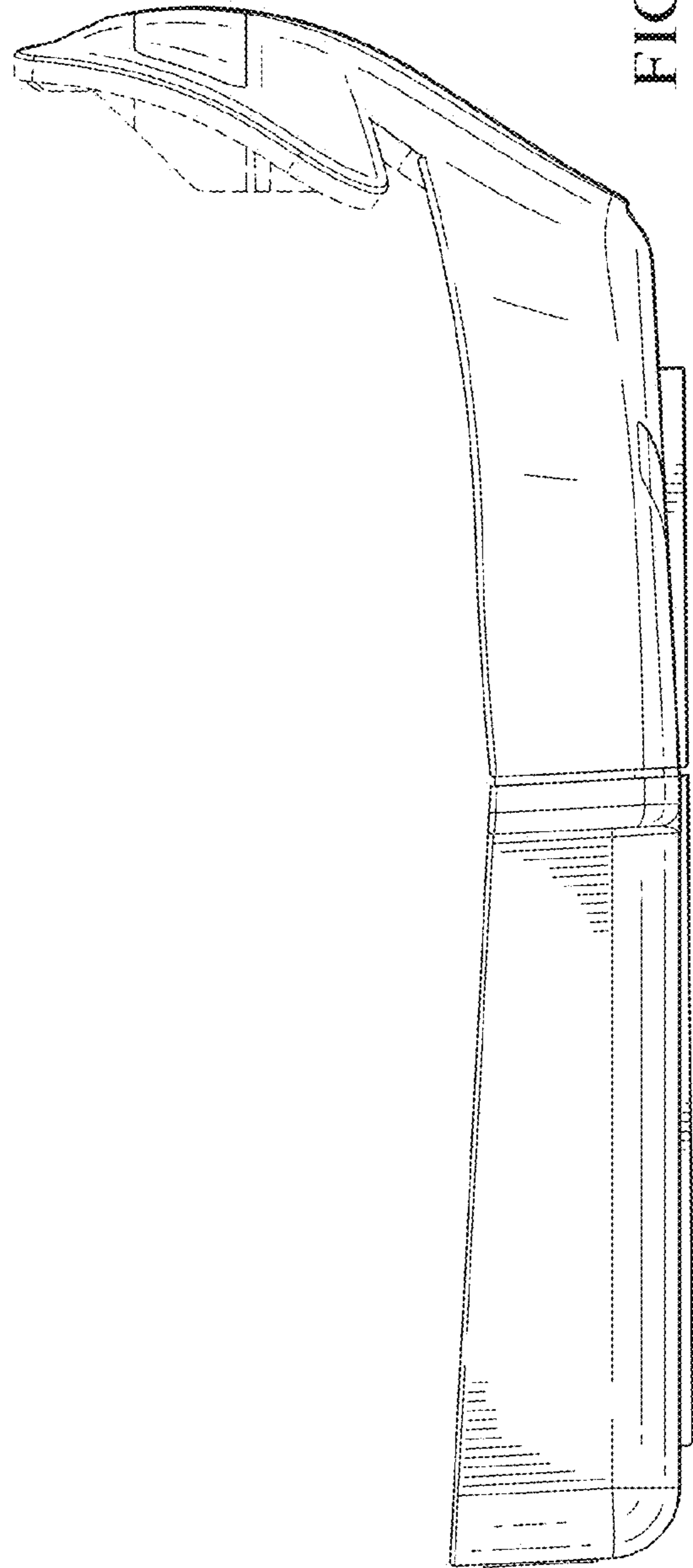


FIG. 5

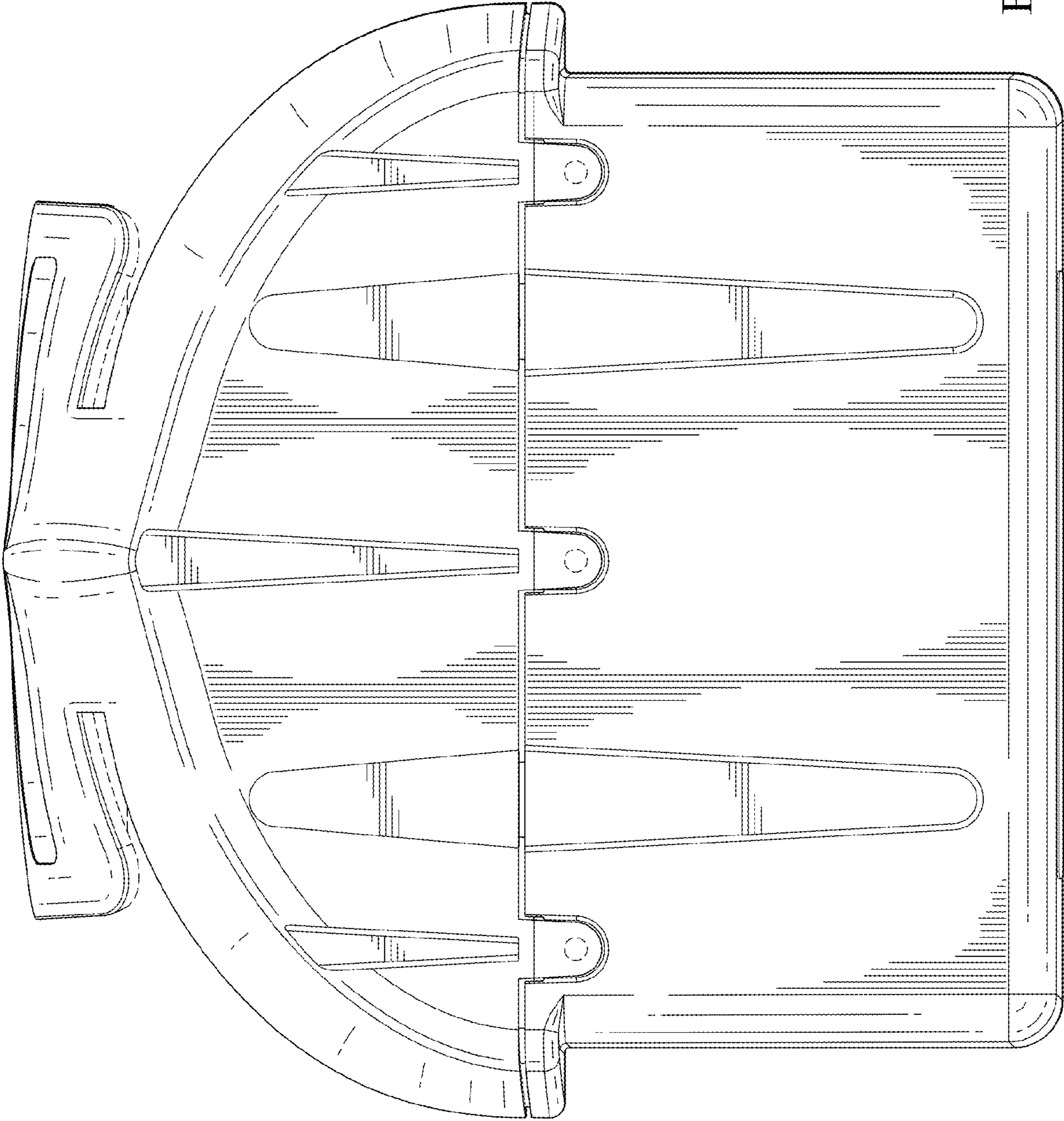


FIG. 6

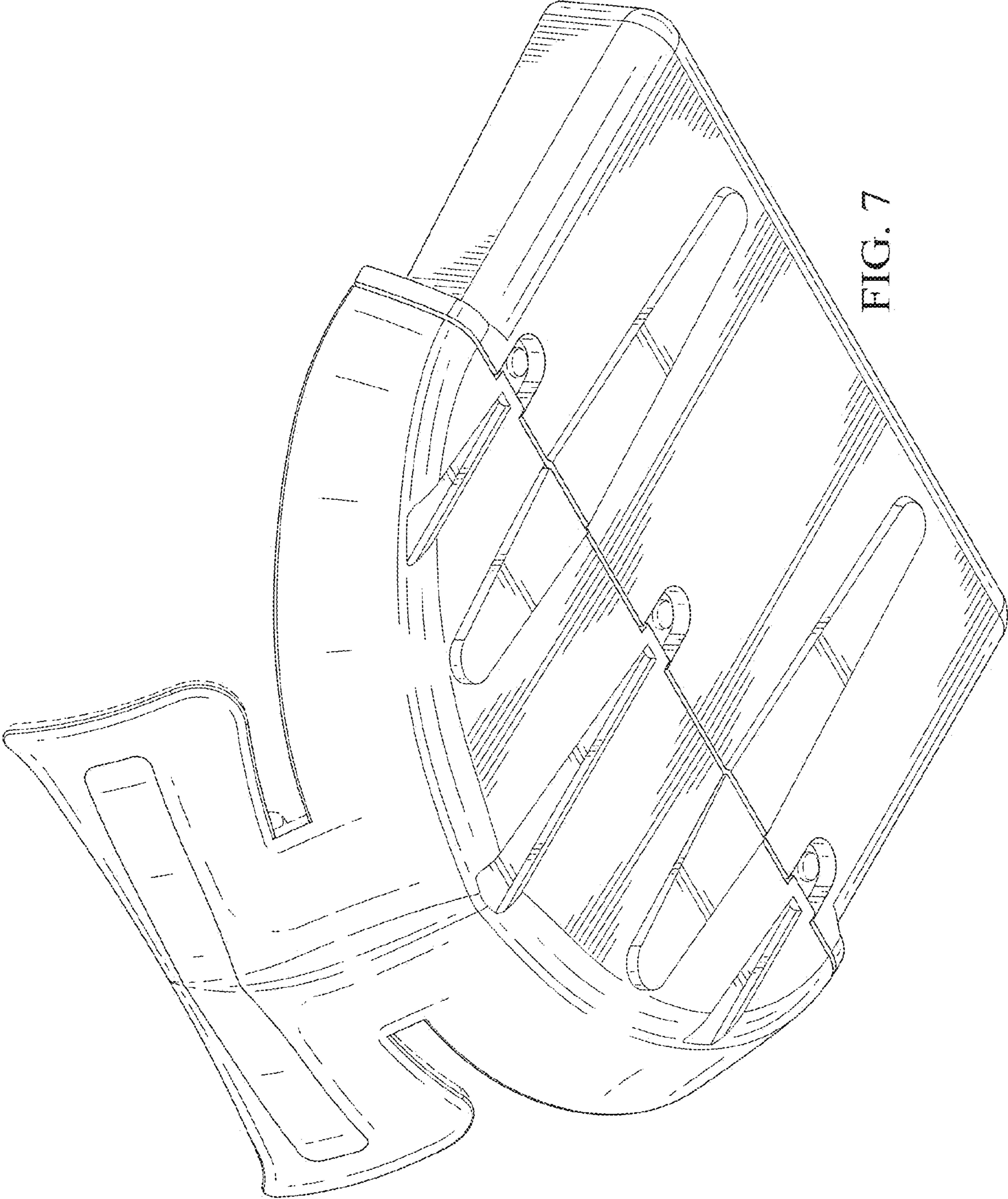


FIG. 7

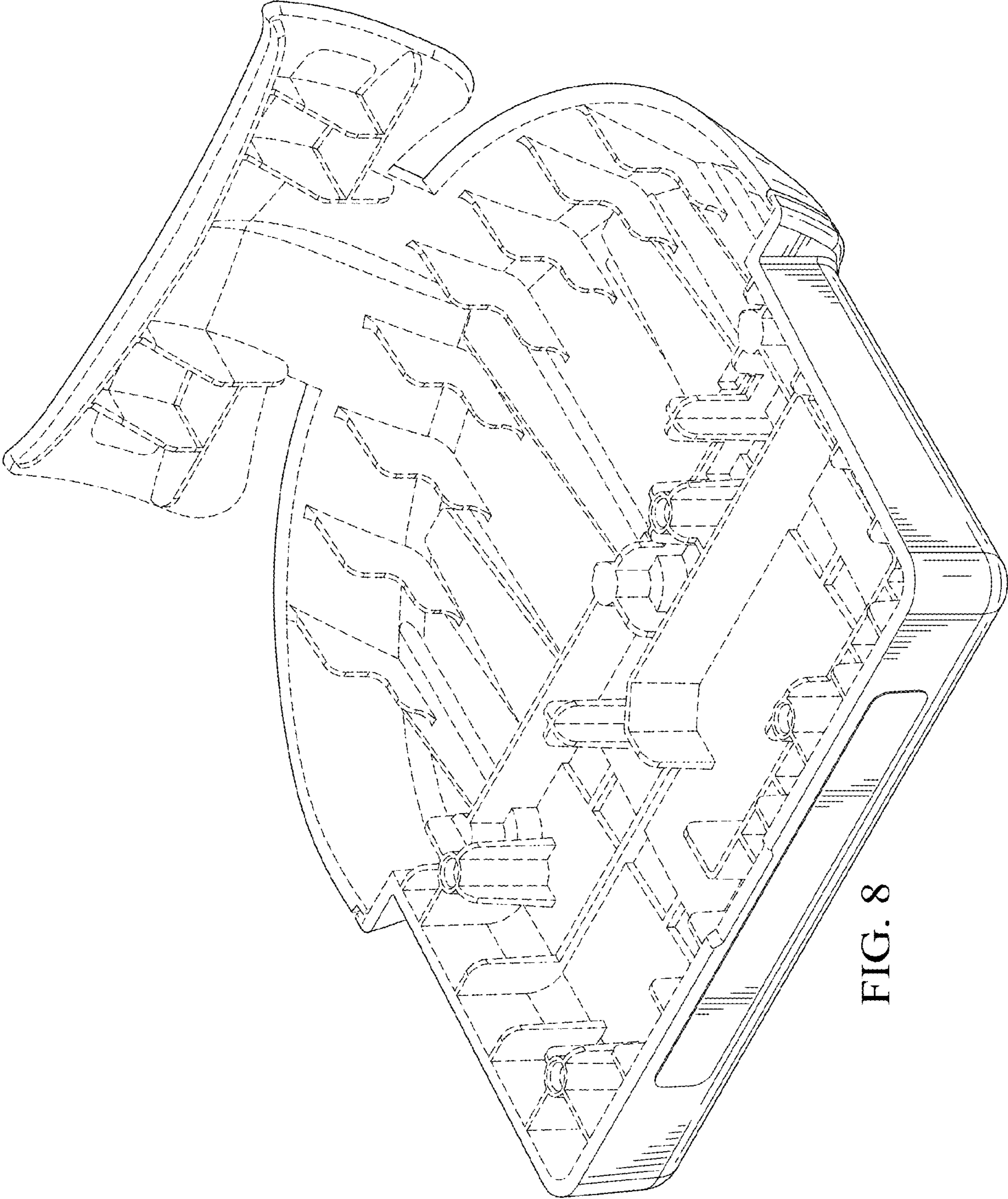


FIG. 8