



US00D871567S

(12) **United States Design Patent**
Pieters et al.

(10) **Patent No.:** **US D871,567 S**

(45) **Date of Patent:** **** Dec. 31, 2019**

(54) **INHALER**

(71) Applicant: **CIPLA EUROPE NV**, Antwerp (BE)

(72) Inventors: **Frank Pieters**, Antwerp (BE); **Xerxes Rao**, Mumbai (IN)

(73) Assignee: **CIPLA EUROPE NV**, Antwerp (BE)

(**) Term: **15 Years**

(21) Appl. No.: **29/553,932**

(22) Filed: **Feb. 5, 2016**

(30) **Foreign Application Priority Data**

Aug. 7, 2015 (IN) 274275

(51) **LOC (12) Cl.** **29-02**

(52) **U.S. Cl.**
USPC **D24/110**

(58) **Field of Classification Search**
USPC D24/107, 108, 110, 110.5, 127, 164
CPC A61M 15/0001; A61M 15/00; A61M
15/0065; A61M 15/0091; A61M 15/0026;
A61M 11/00; A61M 11/02; A61M 11/04;
A61M 15/0068; A61M 15/0071

See application file for complete search history.

(56) **References Cited**

U.S. PATENT DOCUMENTS

D455,208 S * 4/2002 Bacon D24/110
D473,640 S * 4/2003 Cuffaro D24/110
D509,898 S * 9/2005 Bunce D24/110
D582,543 S * 12/2008 Lucking D24/110

D598,536 S * 8/2009 Parkes D24/110
2008/0017188 A1 * 1/2008 Pardonge A61M 15/009
128/200.14
2008/0156321 A1 * 7/2008 Bowman A61M 15/009
128/200.23
2010/0012115 A1 * 1/2010 Bacon A61M 15/0065
128/200.23
2015/0040901 A1 * 2/2015 Parkes G06M 3/02
128/203.15
2016/0015914 A1 * 1/2016 Parkes A61M 15/0065
128/203.15
2017/0095626 A1 * 4/2017 Pieters A61M 15/009
2017/0151395 A1 * 6/2017 Bacon A61M 15/0091

* cited by examiner

Primary Examiner — Lilyana Bekic

(74) *Attorney, Agent, or Firm* — Knobbe, Martens, Olson & Bear, LLP

(57) **CLAIM**

The ornamental design for an inhaler, as shown and described.

DESCRIPTION

FIG. 1 is a perspective view of an inhaler showing our new design.

FIG. 2 is a front elevational view thereof.

FIG. 3 is rear elevational view thereof.

FIG. 4 is a right side elevational view thereof.

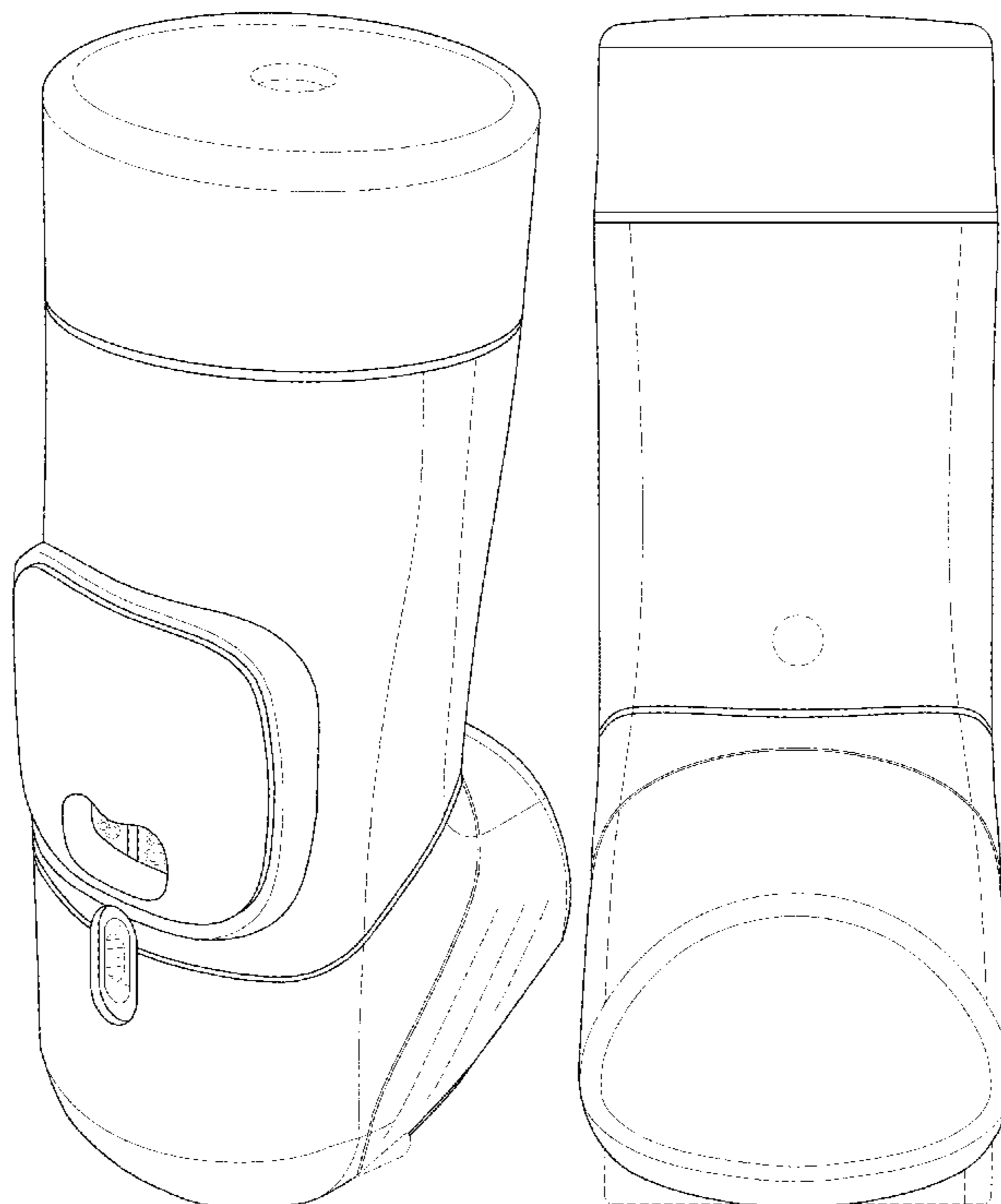
FIG. 5 is a left side elevational view thereof.

FIG. 6 is a bottom plan view thereof; and,

FIG. 7 is a top plan view thereof.

The broken lines in the drawings depict portions of the inhaler that form no part of the claimed design.

1 Claim, 6 Drawing Sheets



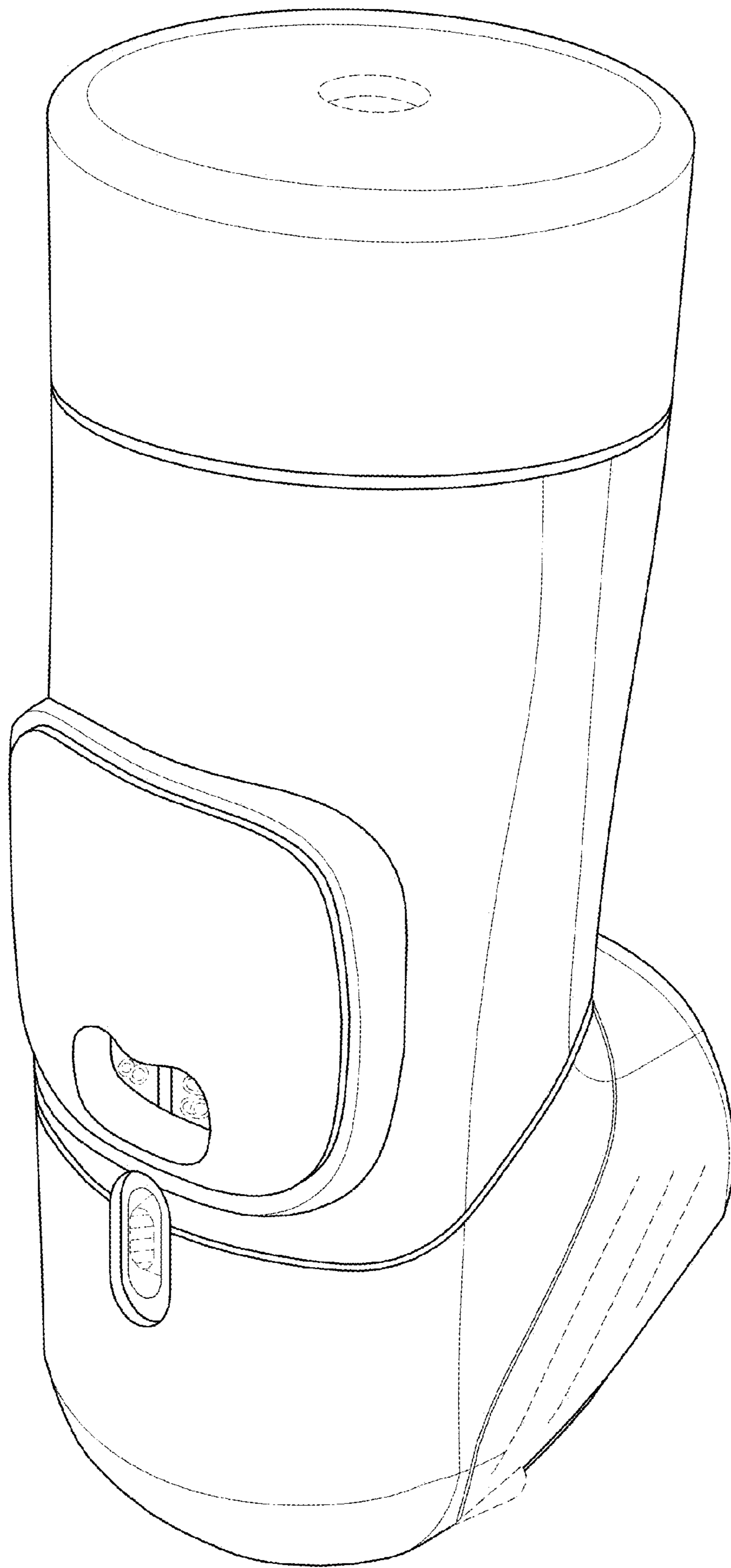


FIG. 1

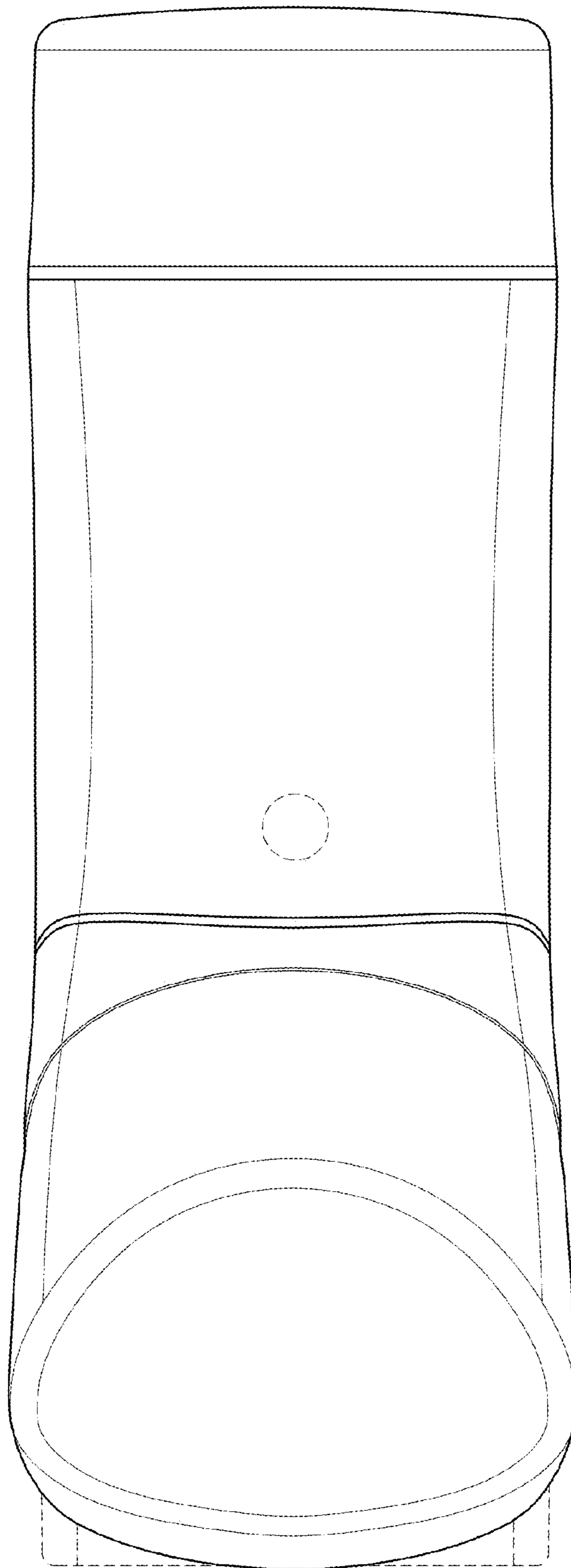


FIG. 2

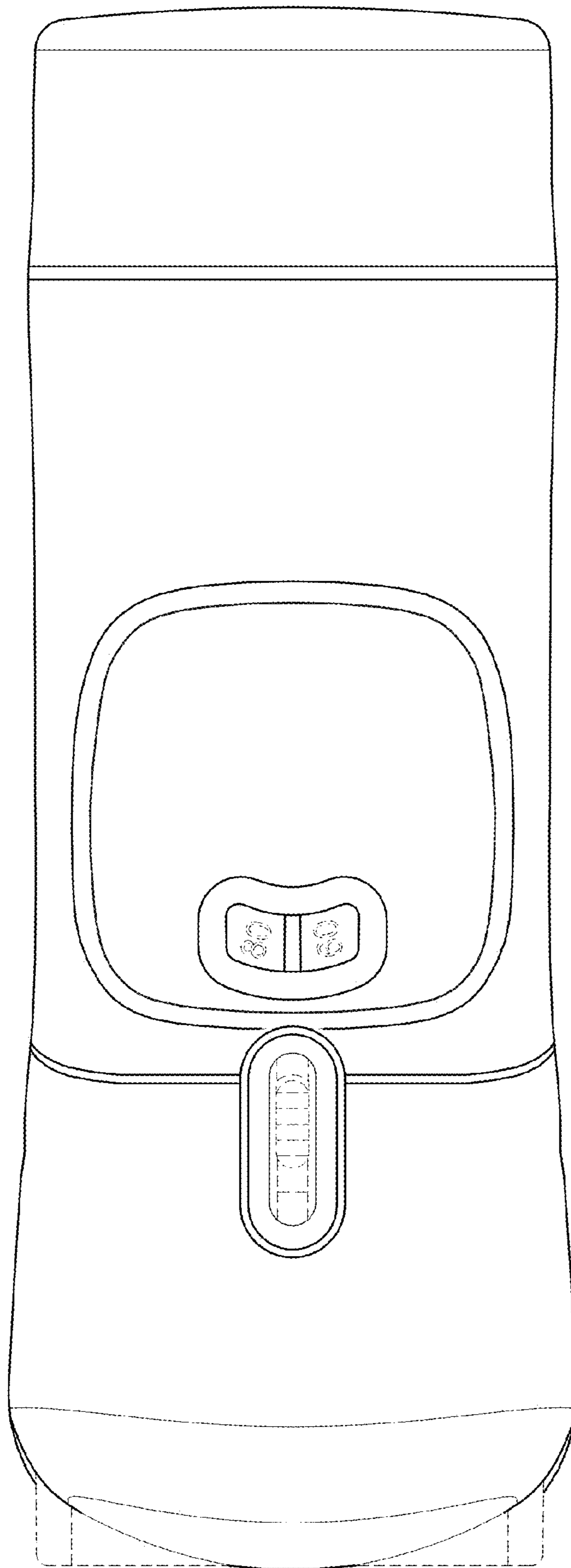


FIG. 3

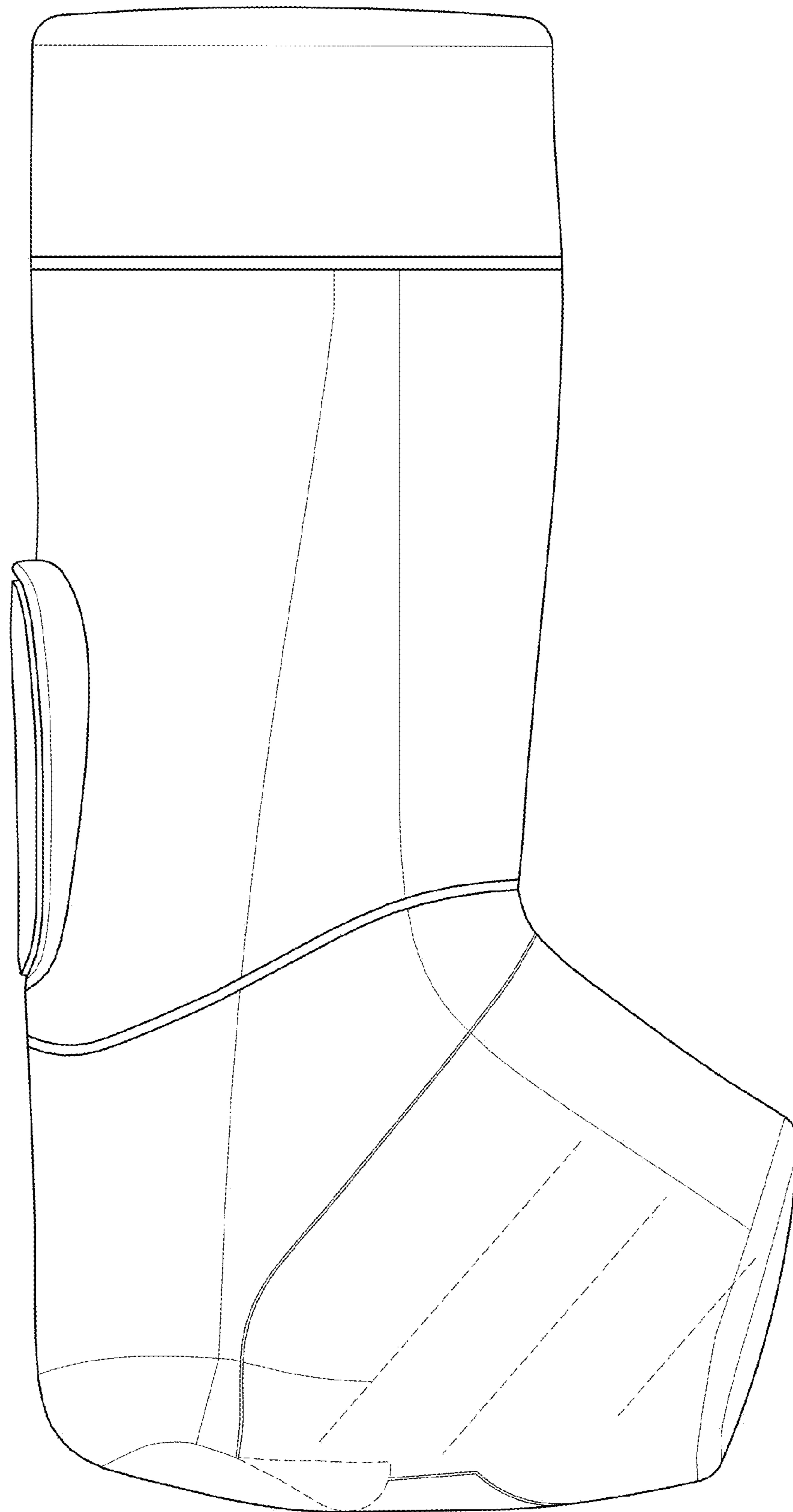


FIG. 4

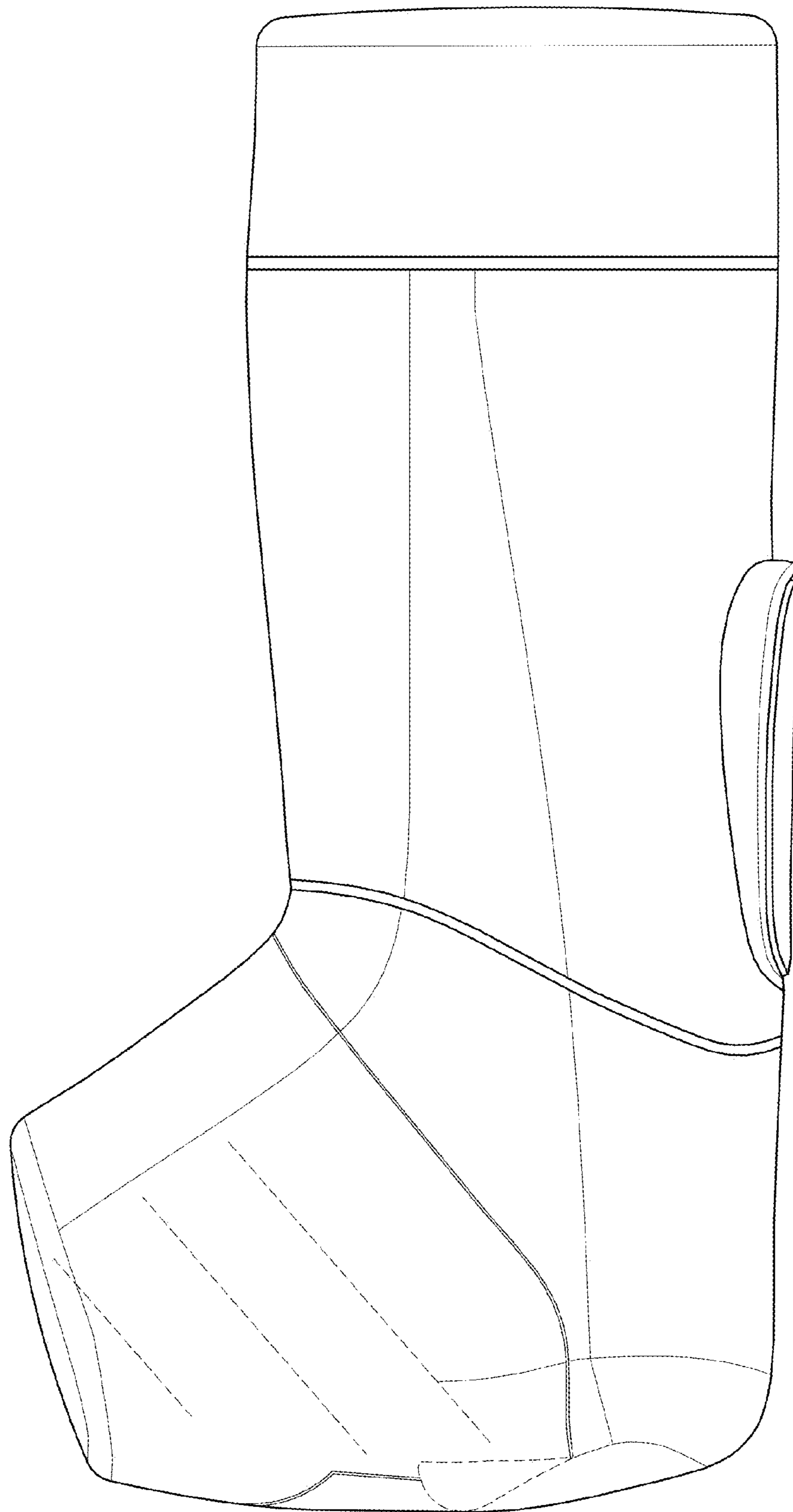


FIG. 5

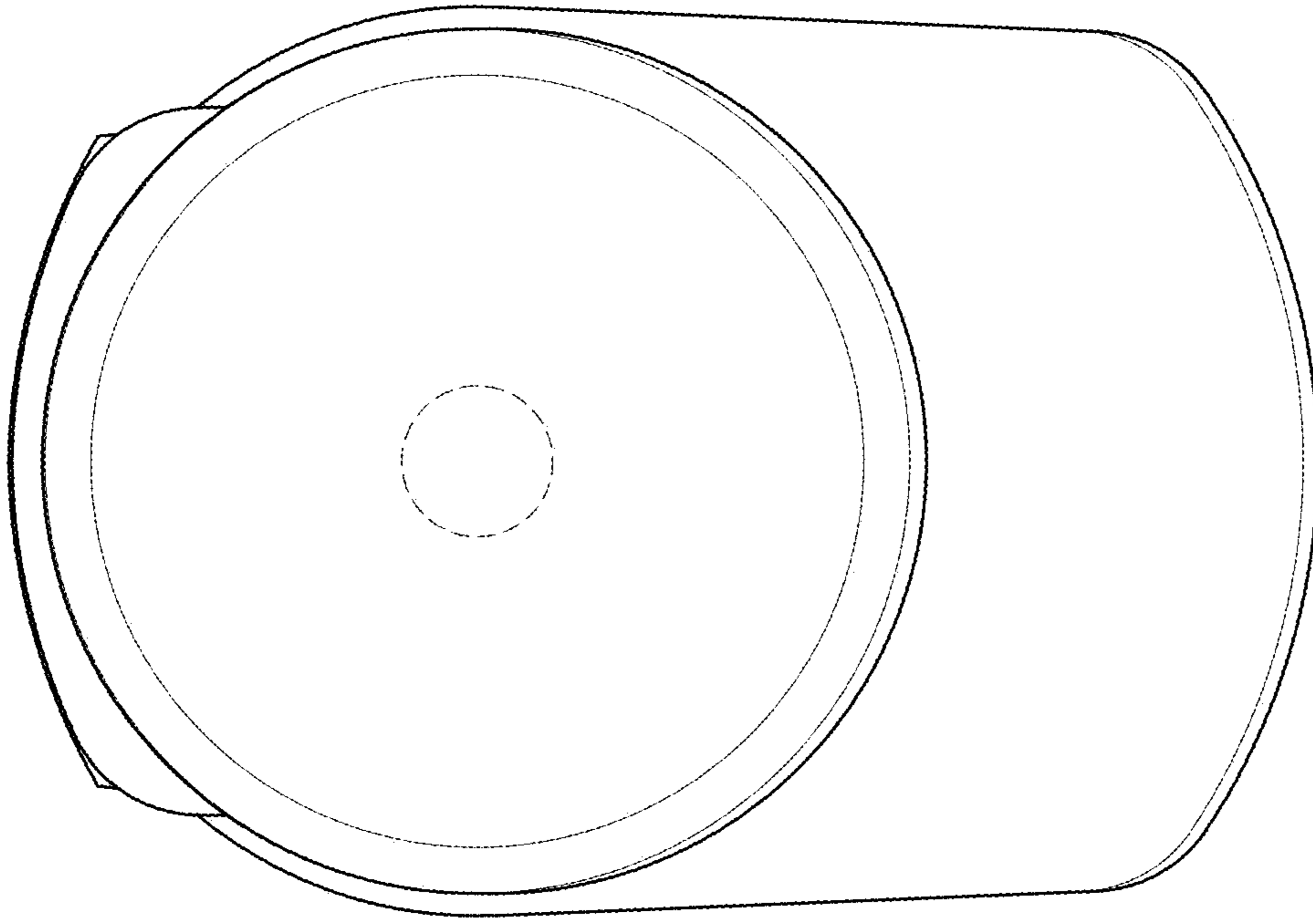


FIG. 7

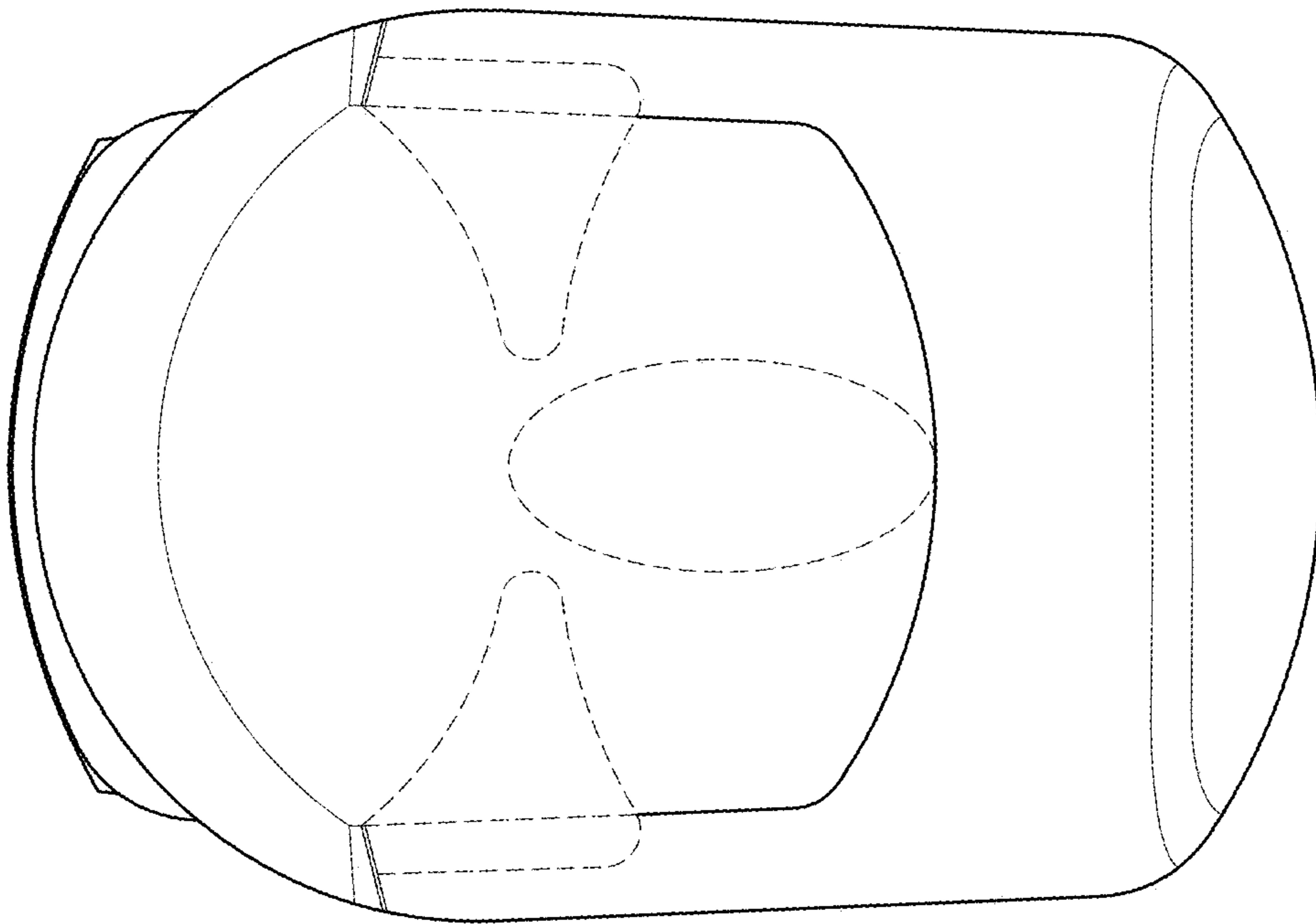


FIG. 6