



US00D871565S

(12) **United States Design Patent** (10) **Patent No.:** **US D871,565 S**
Ma (45) **Date of Patent:** **** Dec. 31, 2019**

(54) **FAN**
(71) Applicant: **Shaowei Ma**, Guangdong (CN)
(72) Inventor: **Shaowei Ma**, Guangdong (CN)
(**) Term: **15 Years**
(21) Appl. No.: **29/640,208**
(22) Filed: **Mar. 12, 2018**
(51) **LOC (12) Cl.** **23-04**
(52) **U.S. Cl.**
USPC **D23/382**; D23/332
(58) **Field of Classification Search**
USPC D23/314, 317, 324, 328, 332-337, 342,
D23/351, 352, 355, 356, 359, 362, 364,
D23/370-376, 378, 379, 381-385,
D23/411-414
CPC F04D 25/08; F04D 29/38; F04D 29/384;
F04D 29/386; F04D 29/646
See application file for complete search history.

(56) **References Cited**

U.S. PATENT DOCUMENTS

2,041,897 A * 5/1936 Benson F24H 3/0417
392/361
2,067,303 A * 1/1937 Thomas F24F 6/06
261/92
D104,096 S * 4/1937 Friedman D23/370
2,246,069 A * 6/1941 Harry F24F 6/06
219/472
D207,812 S * 5/1967 Bass et al. D23/383
D221,653 S * 8/1971 Meng et al. D23/317
D281,272 S * 11/1985 Lynch, Jr. D23/364
D324,907 S * 3/1992 Cook D23/328
D347,683 S * 6/1994 Chiu D23/332
D384,734 S * 10/1997 Ellwood D23/335
D440,883 S * 4/2001 Wilson, Jr. D10/2

D458,361 S * 6/2002 Melwani D23/379
D501,919 S * 2/2005 Hsin-Mao D23/364
D760,370 S * 6/2016 Herbst D23/370
D768,838 S * 10/2016 Ritch D23/324
D801,507 S * 10/2017 Kelnhofer D23/366
2013/0108481 A1 * 5/2013 Hoyer F04D 25/084
417/234
2019/0022677 A1 * 1/2019 Zhang B05B 7/0081

OTHER PUBLICATIONS

Lumbar fan, Application No. 201730611777, application date Dec. 5, 2017, date published Jun. 12, 2018, site visited Mar. 15, 2019, available at www.orbit.com.*

Xcellent Global Mini High Power Portable Belt Clip USB Fan, date first reviewed Mar. 14, 2019, amazon.com, site visited Mar. 17, 2019, Copyright © 1996-2019, Available from Internet, <<https://www.amazon.com/Xcellent-Global-Portable-Camping-Activities/dp/B07F1CWWR5?th=1>>.*

* cited by examiner

Primary Examiner — Cathron C Brooks

Assistant Examiner — Sharon S Oum

(57) **CLAIM**

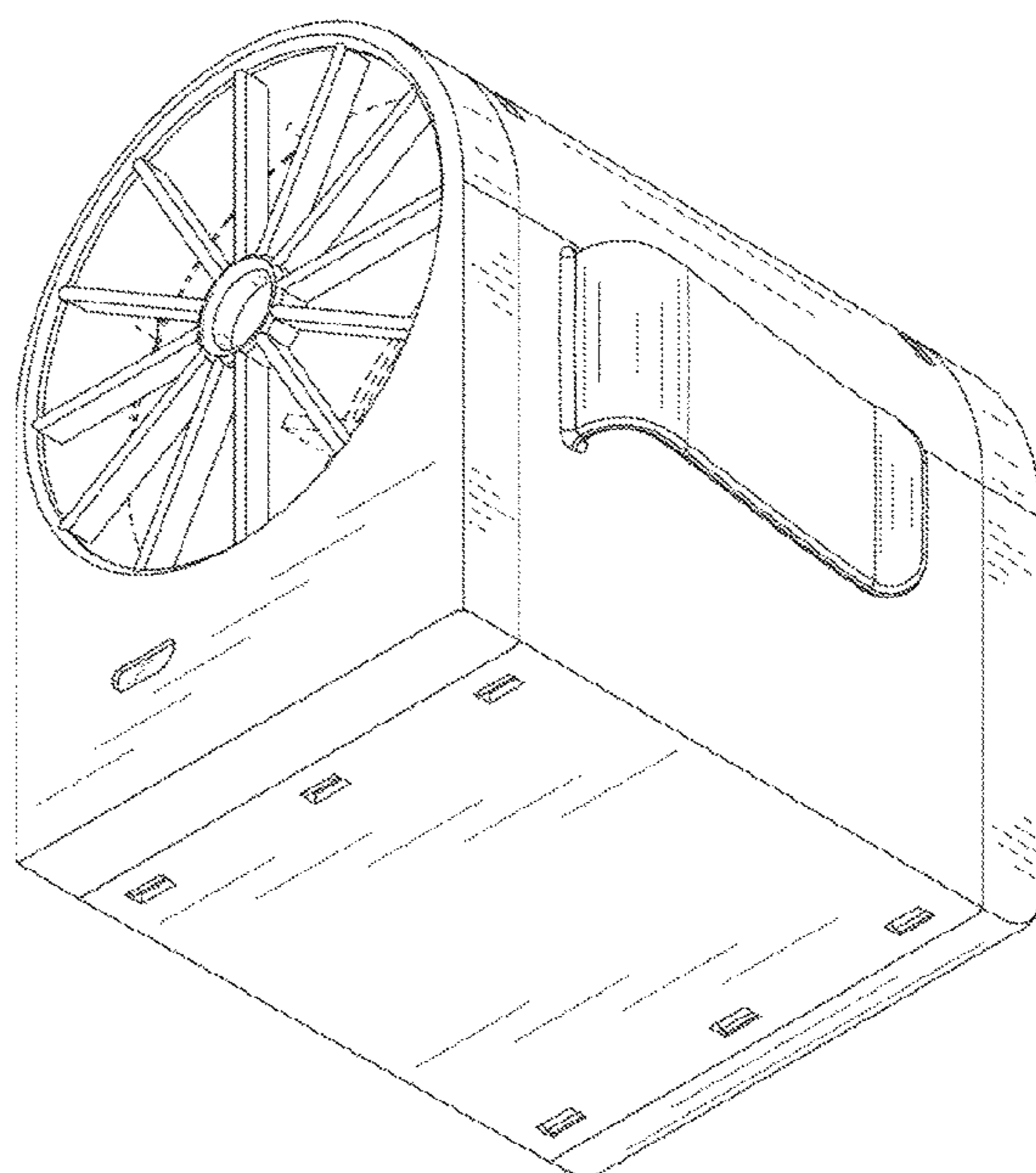
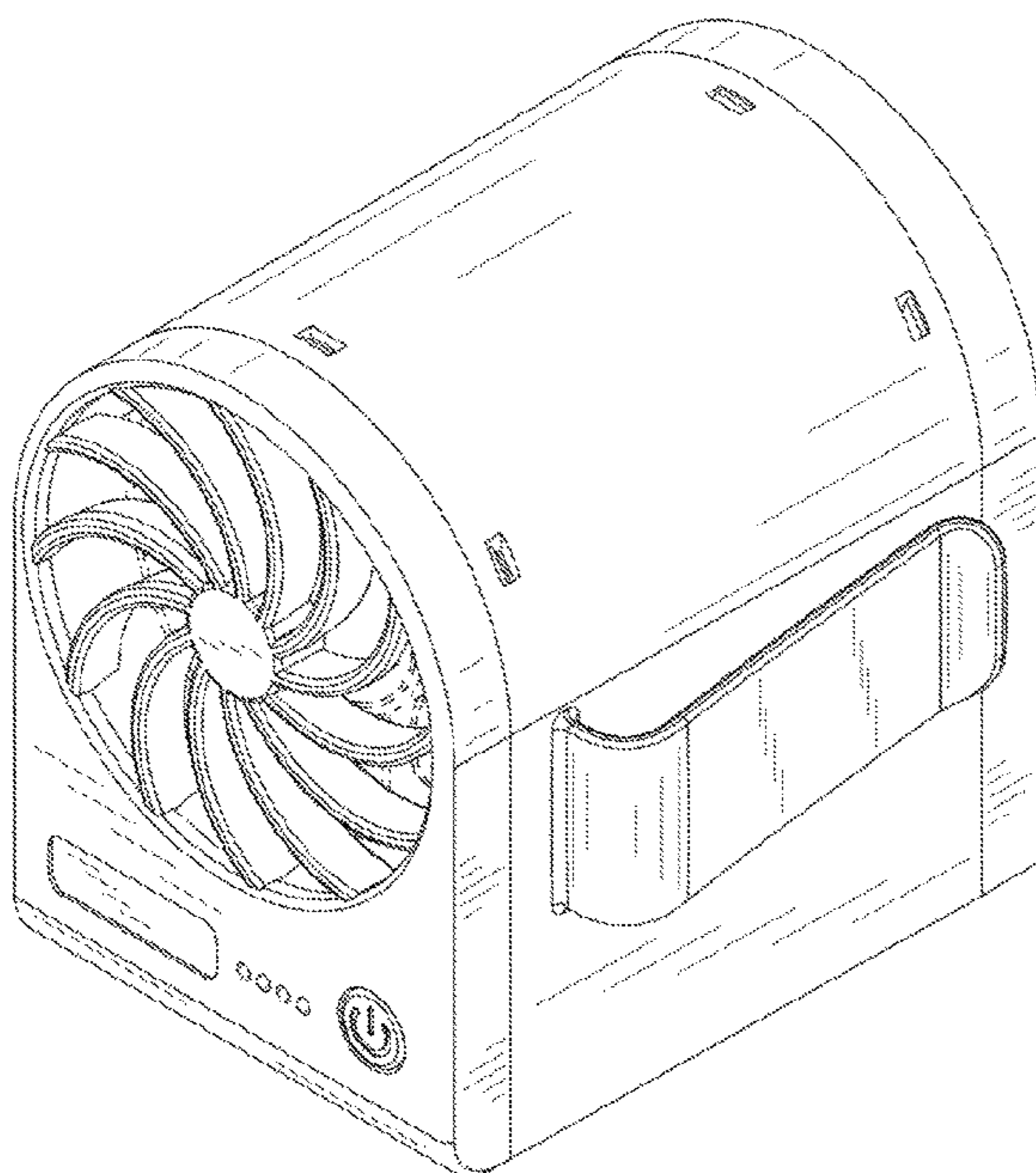
The ornamental design for the fan, as shown and described.

DESCRIPTION

FIG. 1 is a front view of the fan showing my new design; FIG. 2 is a back view thereof; FIG. 3 is a left side view thereof; FIG. 4 is a right side view thereof; FIG. 5 is a top view thereof; FIG. 6 is a bottom view thereof; FIG. 7 is a perspective view thereof; and, FIG. 8 is another perspective view thereof.

The broken lines show portions of the fan that form no part of the claimed design.

1 Claim, 8 Drawing Sheets



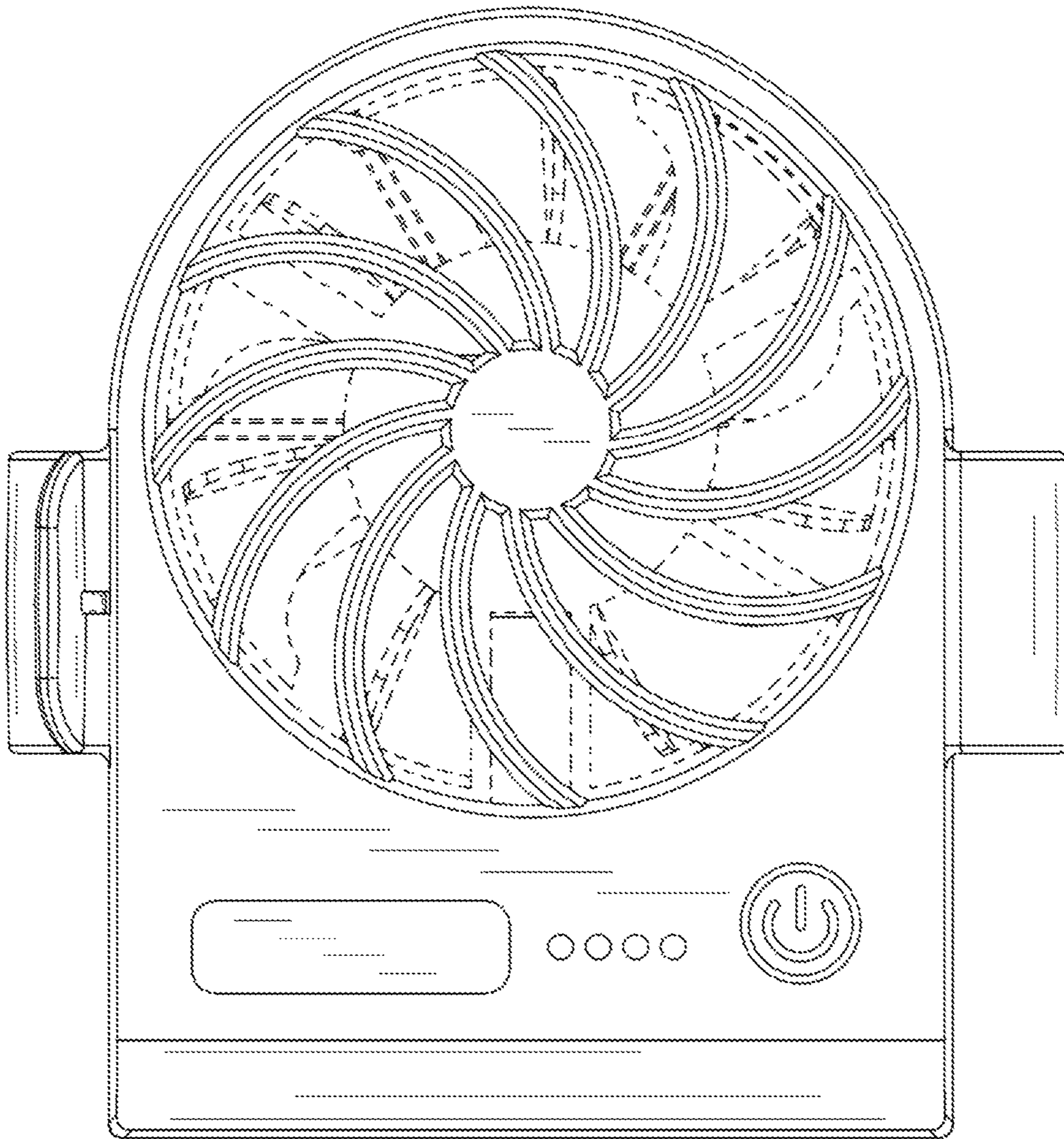


Fig.1

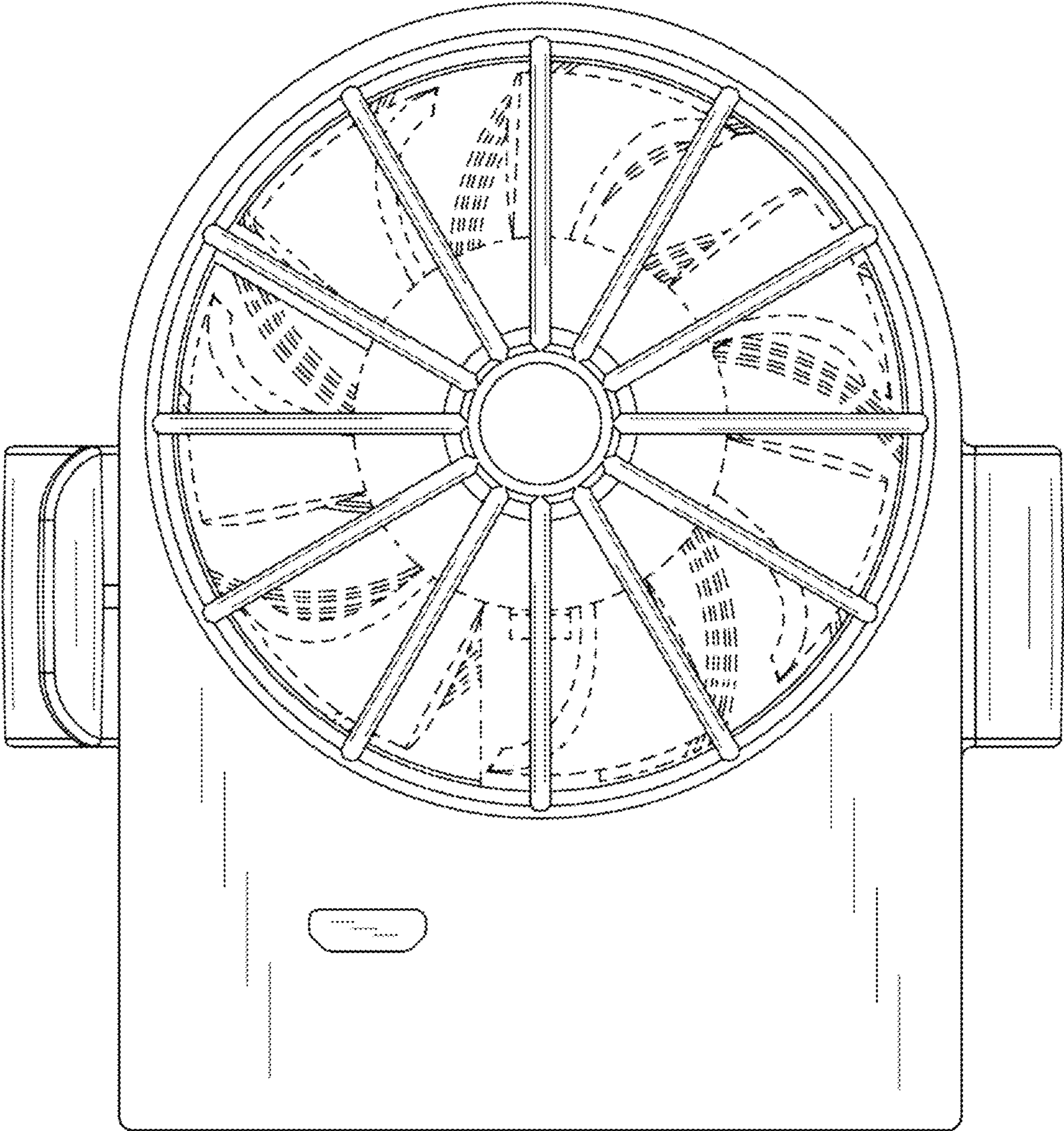


Fig.2

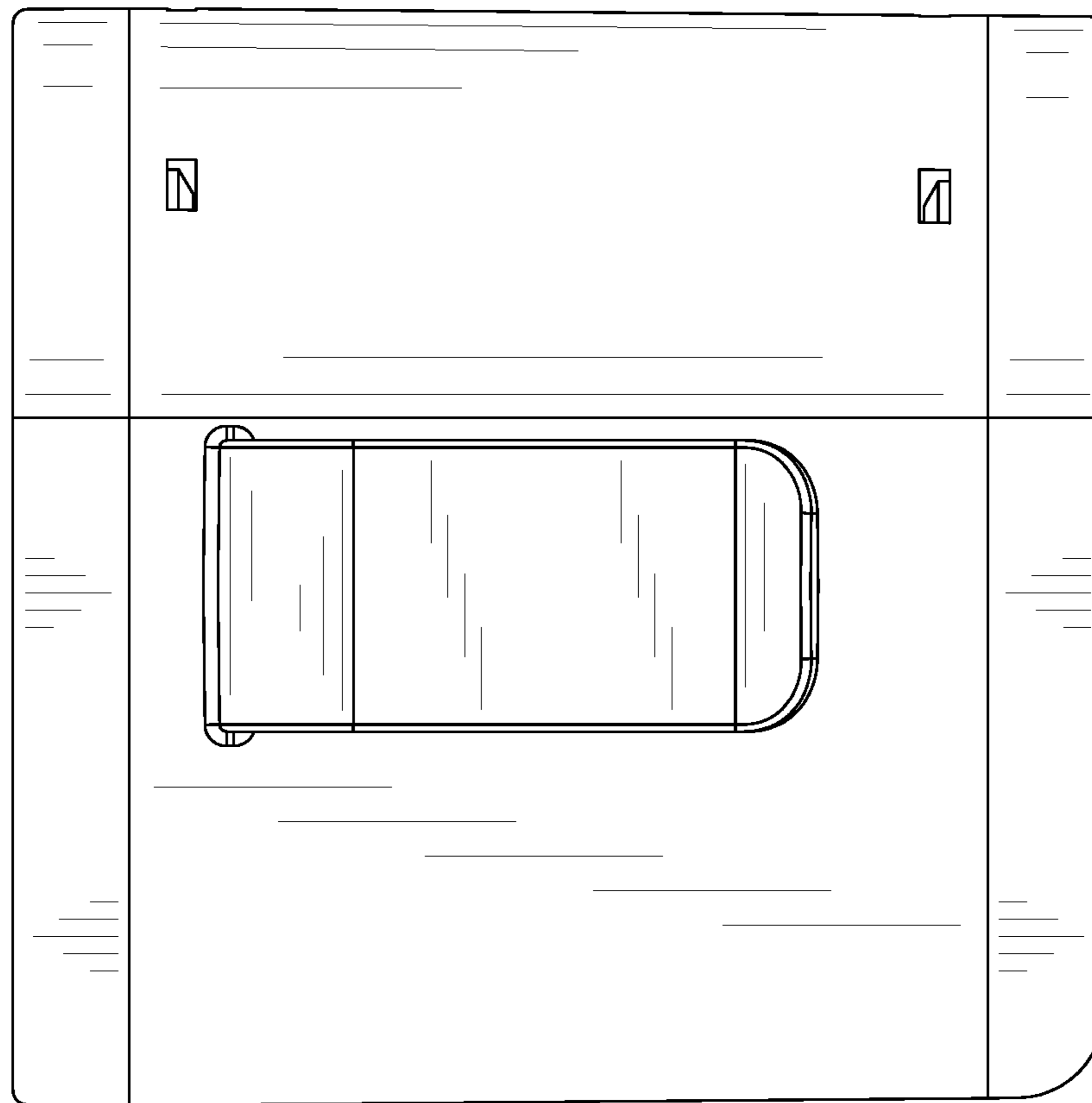


Fig3

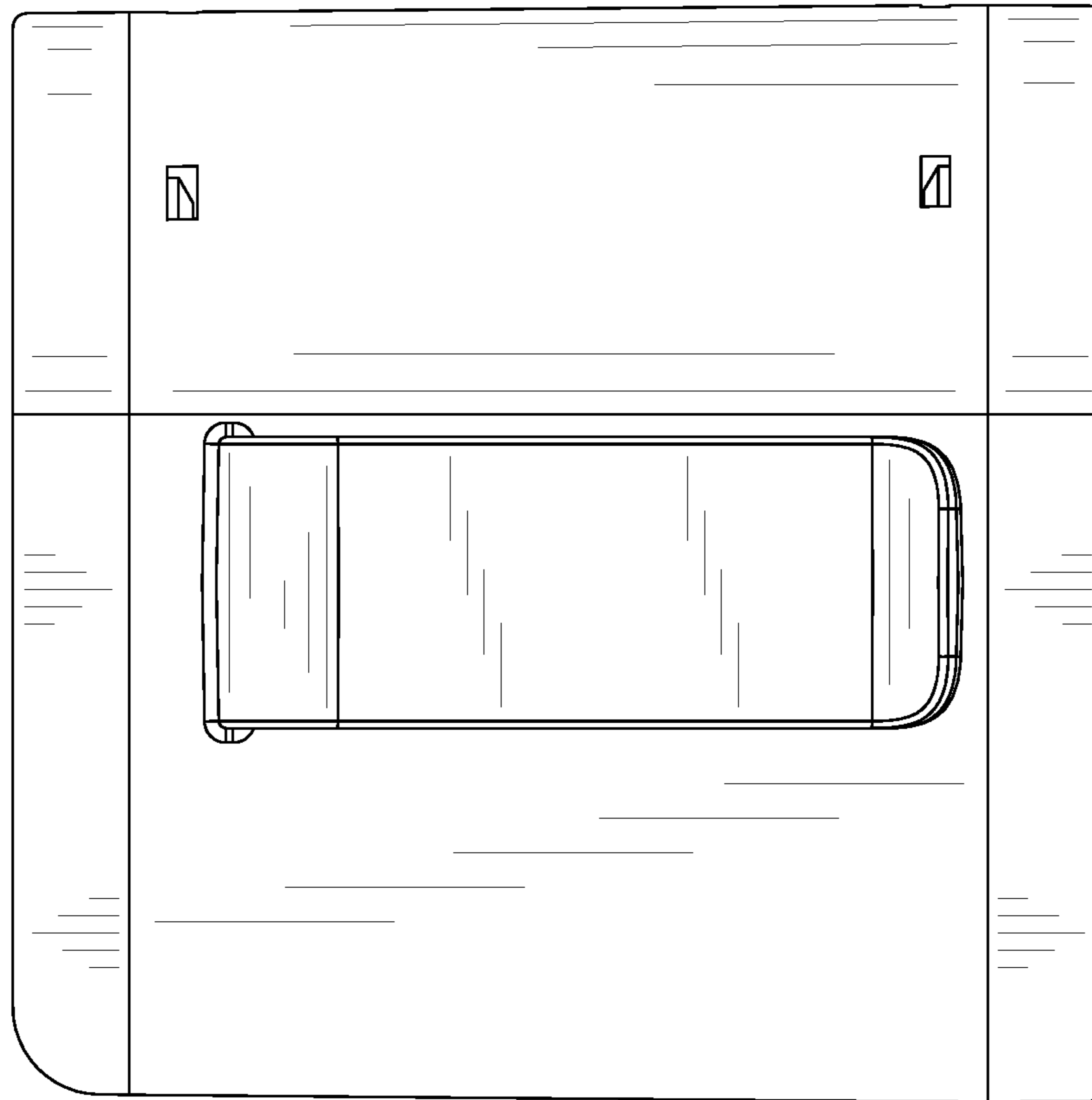


Fig.4

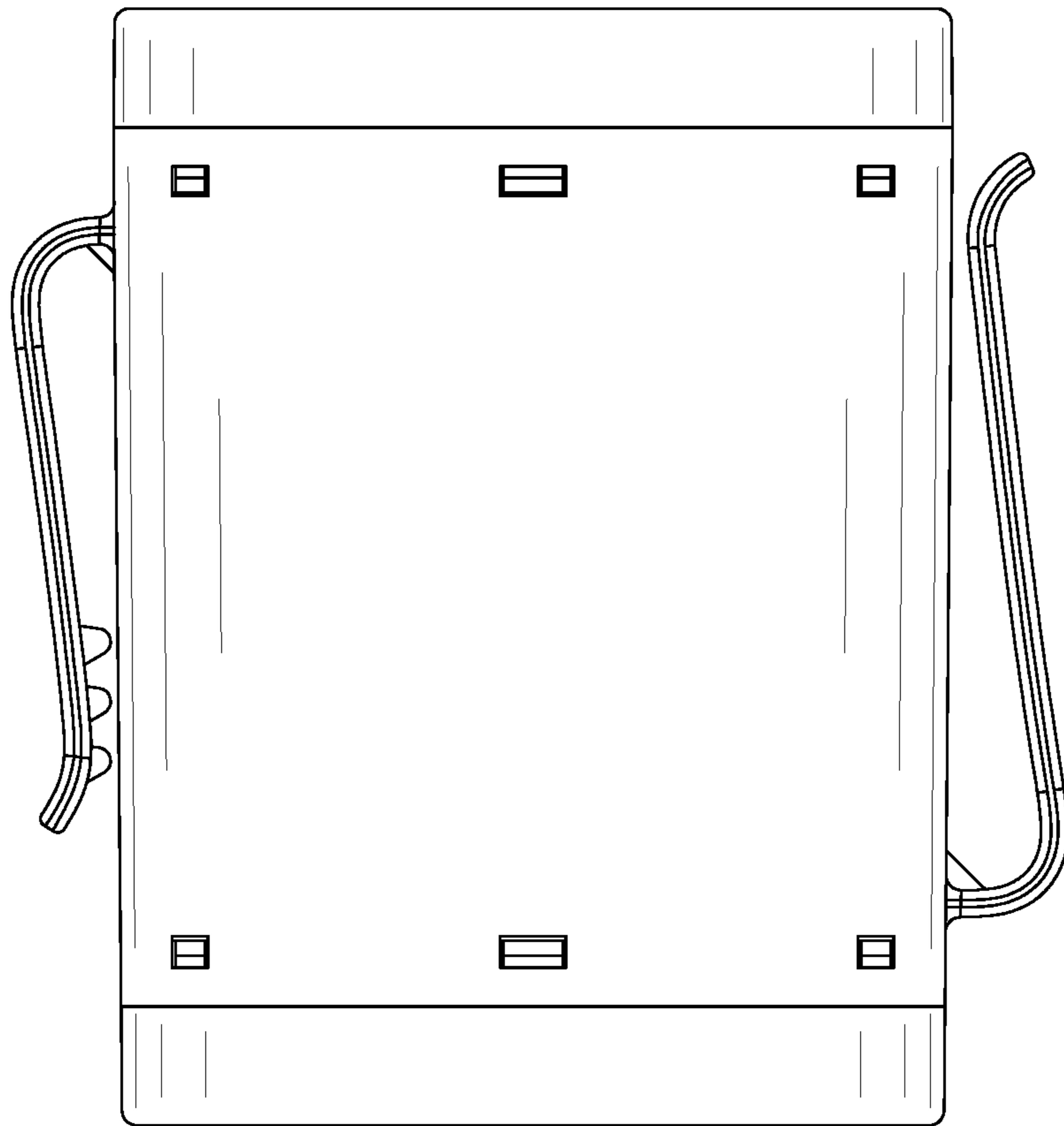


Fig.5

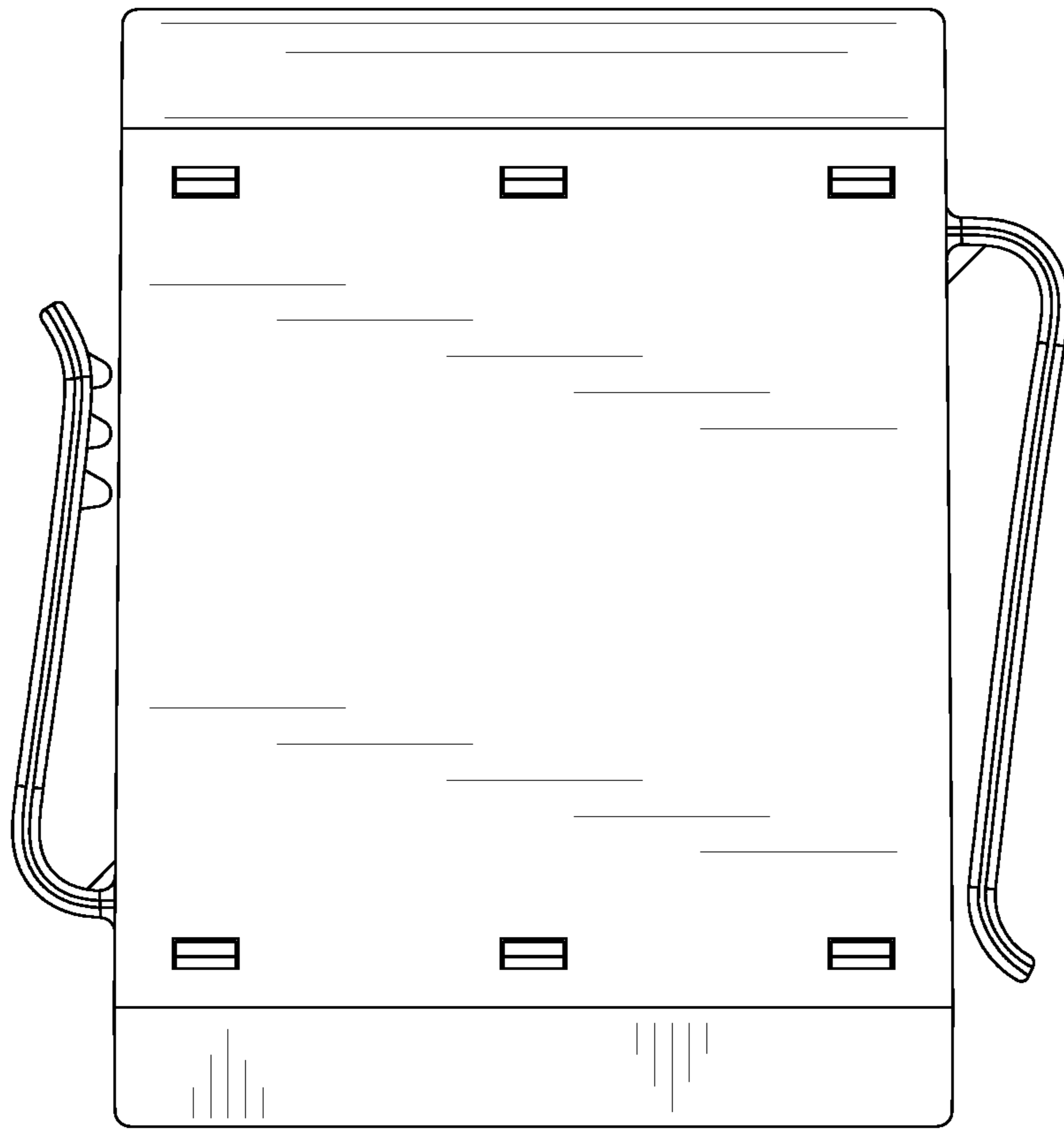


Fig.6

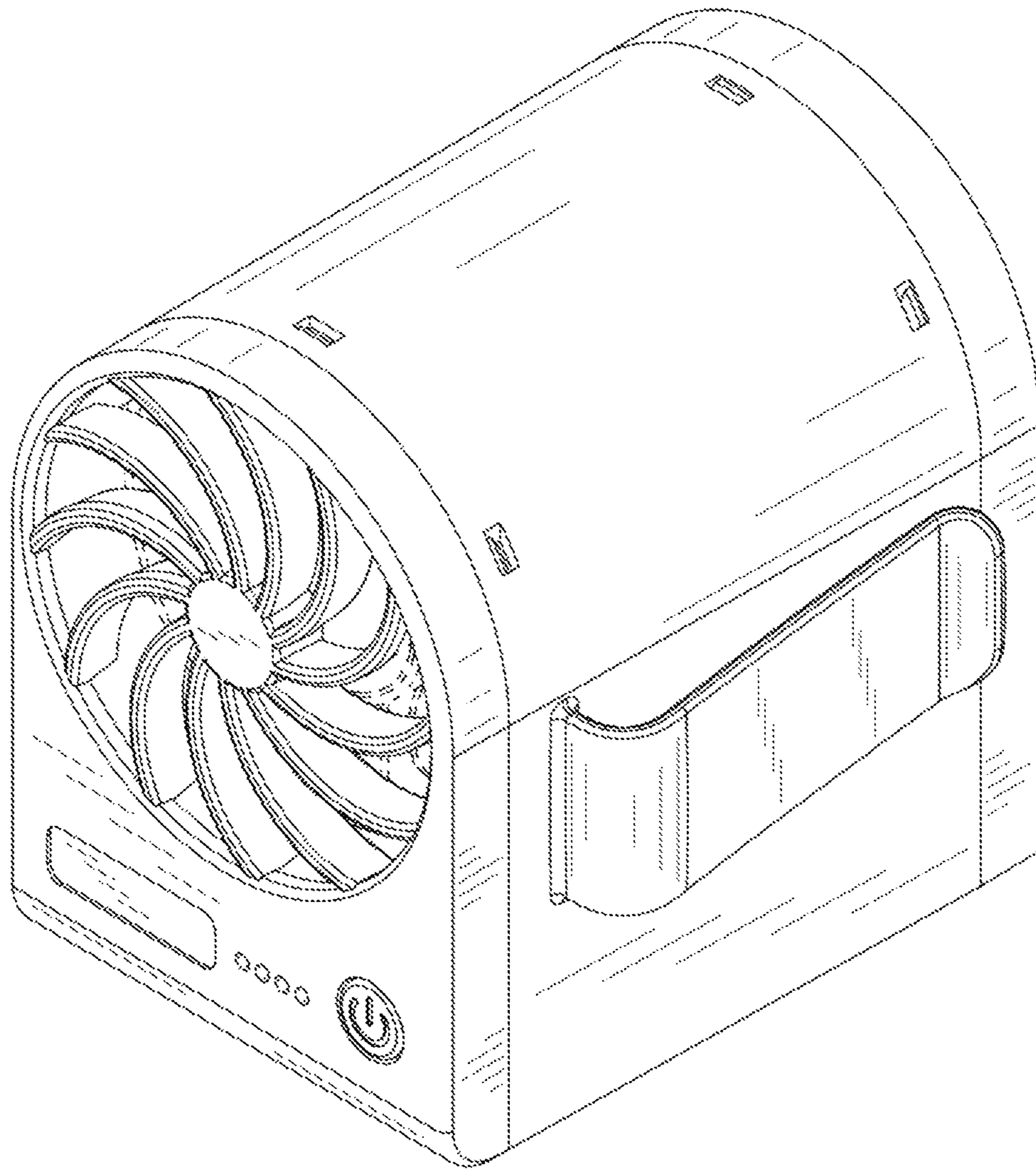


Fig.7

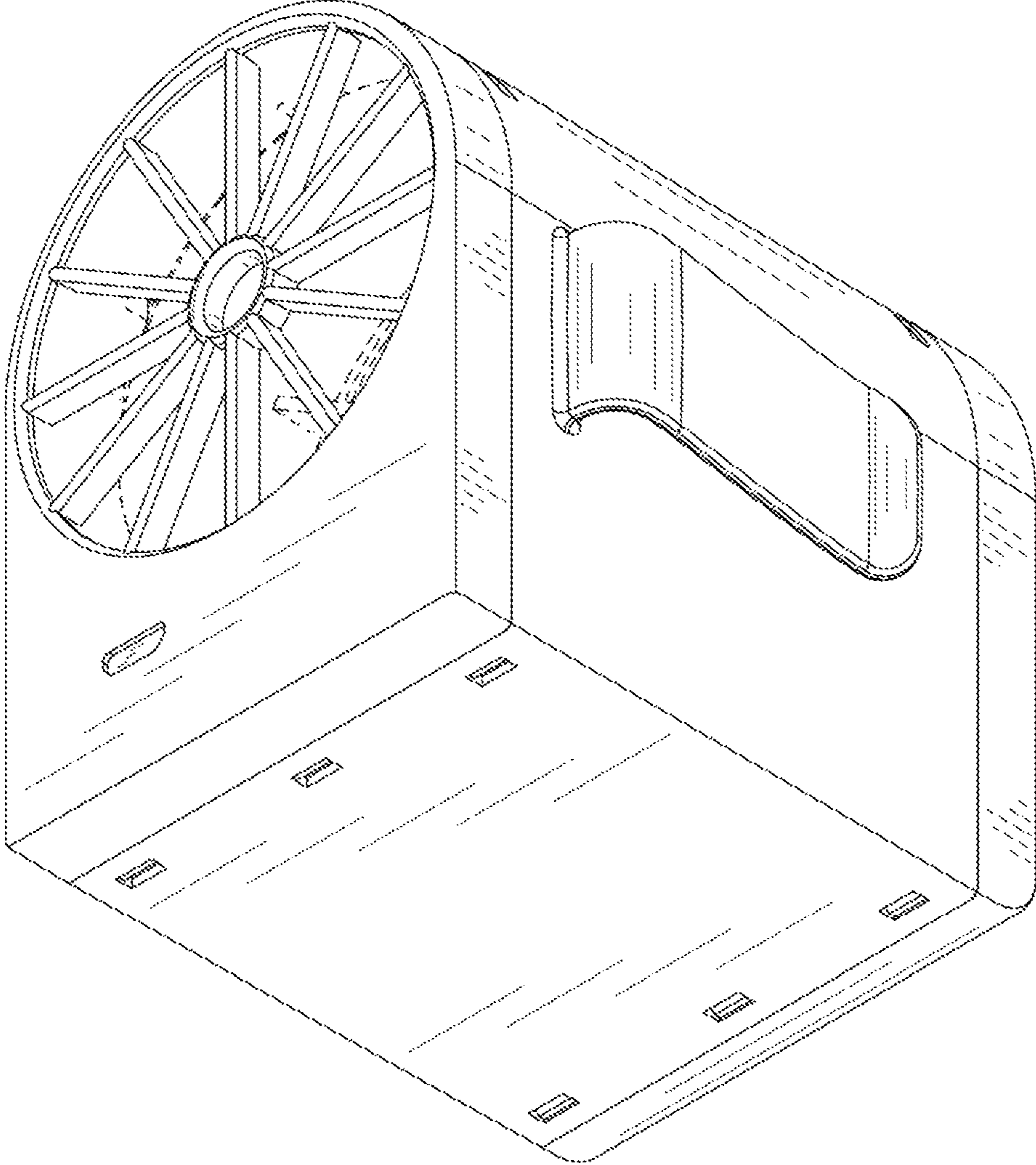


Fig.8