



US00D871564S

(12) **United States Design Patent** (10) **Patent No.:** **US D871,564 S**
Brandenburg et al. (45) **Date of Patent:** **** Dec. 31, 2019**

- (54) **AIR-FRESHENER VENT CLIP**
- (71) Applicant: **Brandywine Product Group International, Inc.**, Wilmington, DE (US)
- (72) Inventors: **Kyle Brandenburg**, Middletown, DE (US); **Daniel R. Hoffman**, Mantua, NJ (US)
- (73) Assignee: **Brandywine Product Group International, Inc.**, Wilmington, DE (US)
- (**) Term: **15 Years**
- (21) Appl. No.: **29/665,974**
- (22) Filed: **Oct. 9, 2018**
- (51) **LOC (12) Cl.** **23-04**
- (52) **U.S. Cl.**
USPC **D23/366**
- (58) **Field of Classification Search**
USPC D23/208, 355-369; D14/209.1, 212-213; D8/1, 391
CPC A61L 9/02; A61L 9/03; A61L 9/12; A61L 9/035; A61L 9/125; A61L 2209/15; A61L 2209/16
See application file for complete search history.

D544,594 S 6/2007 Zobebe
 D552,343 S 10/2007 Brandenburg
 7,400,822 B2 7/2008 Ballesteros
 (Continued)

OTHER PUBLICATIONS

Febreze Car Air Freshener; <https://www.febreze.com/en-us/products-by-type/car-vent-clip-freshener>; website accessed Oct. 2, 2018.

Primary Examiner — Sheryl Lane
Assistant Examiner — Calvin E Vansant
 (74) *Attorney, Agent, or Firm* — Rogowski Law LLC

(57) **CLAIM**

The ornamental design for an air freshener vent clip, as shown and described.

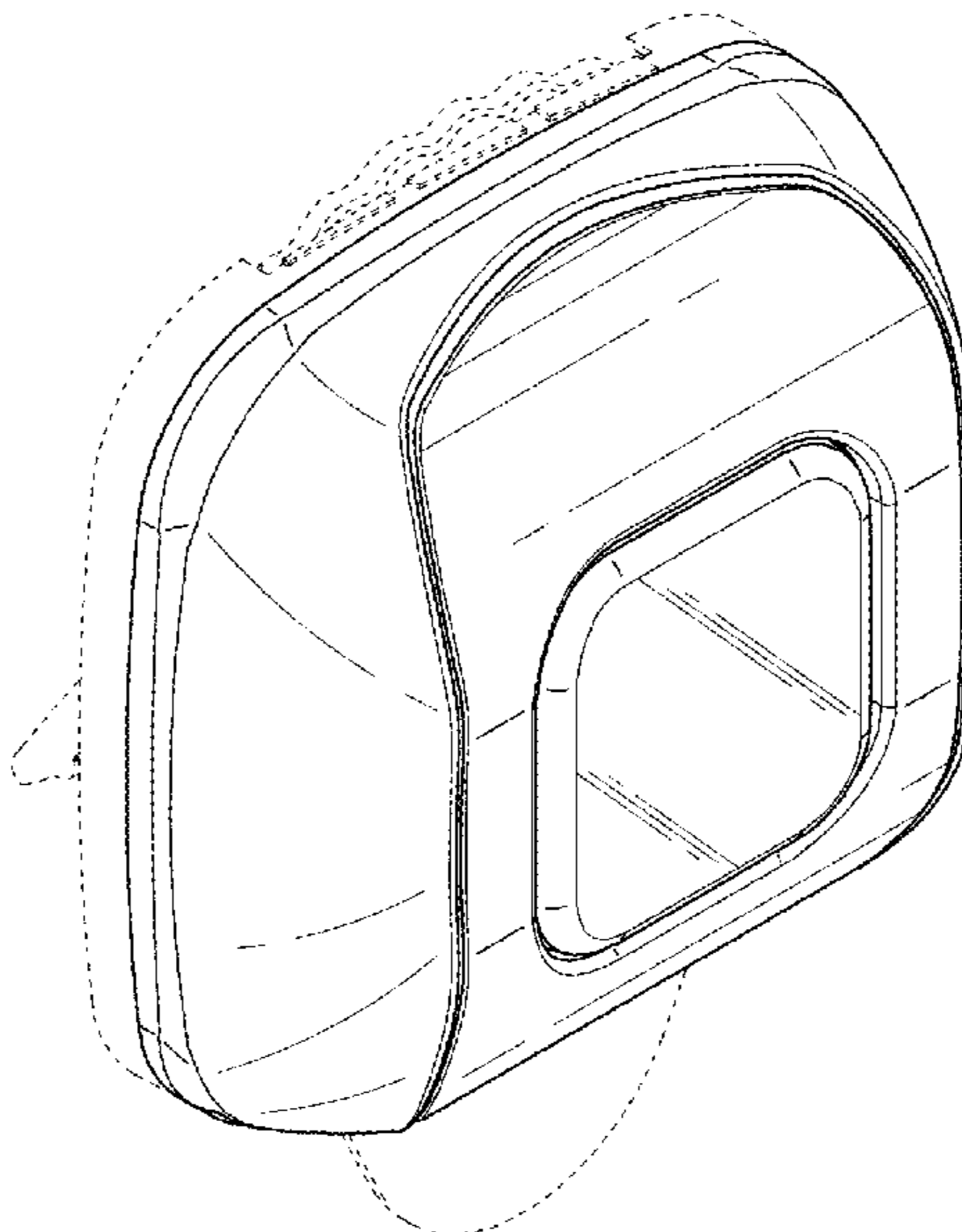
DESCRIPTION

FIG. 1 is a left top perspective view of an air freshener vent clip;
 FIG. 2 is a left bottom perspective view of the air freshener vent clip of FIG. 1;
 FIG. 3 is a left rear perspective view of the air freshener vent clip of FIG. 1;
 FIG. 4 is a left rear bottom perspective view of the air freshener vent clip of FIG. 1;
 FIG. 5 is a front elevational view of the air freshener vent clip of FIG. 1;
 FIG. 6 is a rear elevational view of the air freshener vent clip of FIG. 1;
 FIG. 7 is top view of the air freshener vent clip of FIG. 1;
 FIG. 8 is a bottom view of the air freshener vent clip of FIG. 1;
 FIG. 9 is a left side elevational view of the air freshener vent clip of FIG. 1; and,
 FIG. 10 is a right side elevational view of the air freshener vent clip of FIG. 1.
 In the drawings, the broken lines depict environmental subject matter only and form no part of the claimed design.

1 Claim, 5 Drawing Sheets

(56) **References Cited**
 U.S. PATENT DOCUMENTS

- D621,922 S 8/2000 Sabate
- D481,787 S 11/2003 Millan
- D483,460 S 12/2003 Millan
- D503,973 S 4/2005 Millan
- D523,129 S 6/2006 Caserta
- 7,070,172 B2 7/2006 Fabrega
- D532,893 S 11/2006 Wu
- D544,592 S 6/2007 Caserta



(56)

References Cited

U.S. PATENT DOCUMENTS

D586,900 S	2/2009	Weggelaar	D655,485 S	8/2012	Vetu	
D608,435 S	1/2010	Zobebe	D667,151 S *	9/2012	Arslanian	D26/9
D611,584 S	3/2010	Gruenbacher	8,455,454 B2	6/2013	Wang	
D613,388 S	4/2010	Koenig	D692,549 S *	10/2013	Wirz	D23/366
D618,329 S	6/2010	Koenig	D694,382 S	11/2013	Brandenburg	
D621,021 S	8/2010	Koenig	D696,762 S	12/2013	Lin	
D621,923 S	8/2010	Koenig	D698,018 S	1/2014	Choi	
D621,926 S	8/2010	Christensen	D698,431 S *	1/2014	Garbusi	D23/366
D628,284 S	11/2010	Ko	D709,172 S	7/2014	Brandenburg	
D629,500 S	12/2010	Koenig	D712,572 S *	9/2014	Dai	D26/26
D629,881 S	12/2010	Valentino	D729,368 S	5/2015	Marwick	
D631,954 S	2/2011	Bertassi	D794,765 S	8/2017	Brandenburg	
D633,610 S	3/2011	Wu	D804,006 S *	11/2017	Gobber	D23/366
D642,668 S	8/2011	Lablaine	D819,798 S *	6/2018	Hwang	A61L 9/125
D647,186 S	10/2011	Chan				D23/364
D664,246 S	7/2012	Irvin	D826,390 S *	8/2018	Brandenburg	D23/366
			D835,307 S *	12/2018	Thompson	D26/26
			D849,221 S *	5/2019	Brandenburg	D23/366
			2017/0112955 A1 *	4/2017	Bourne	A61L 9/125

* cited by examiner

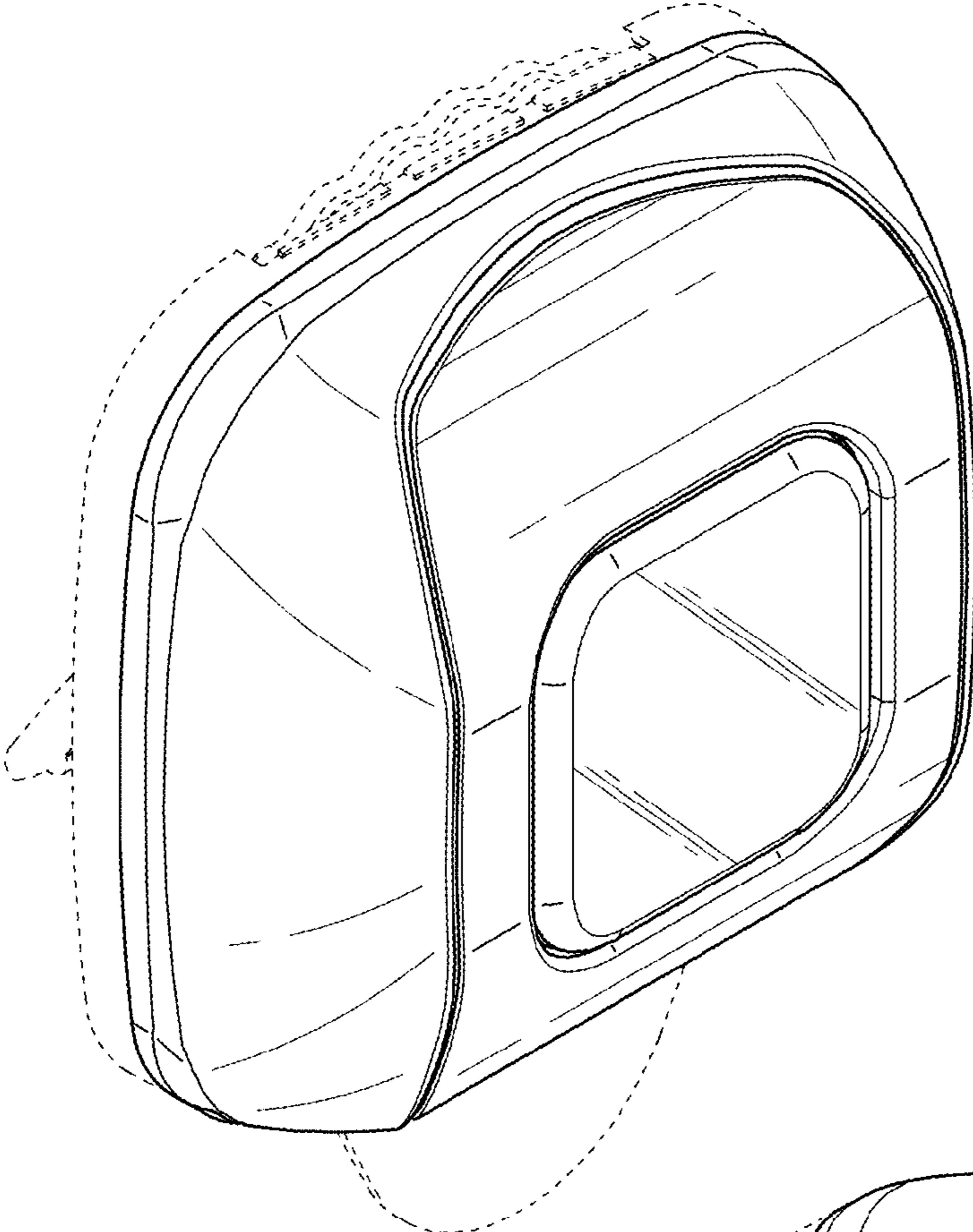
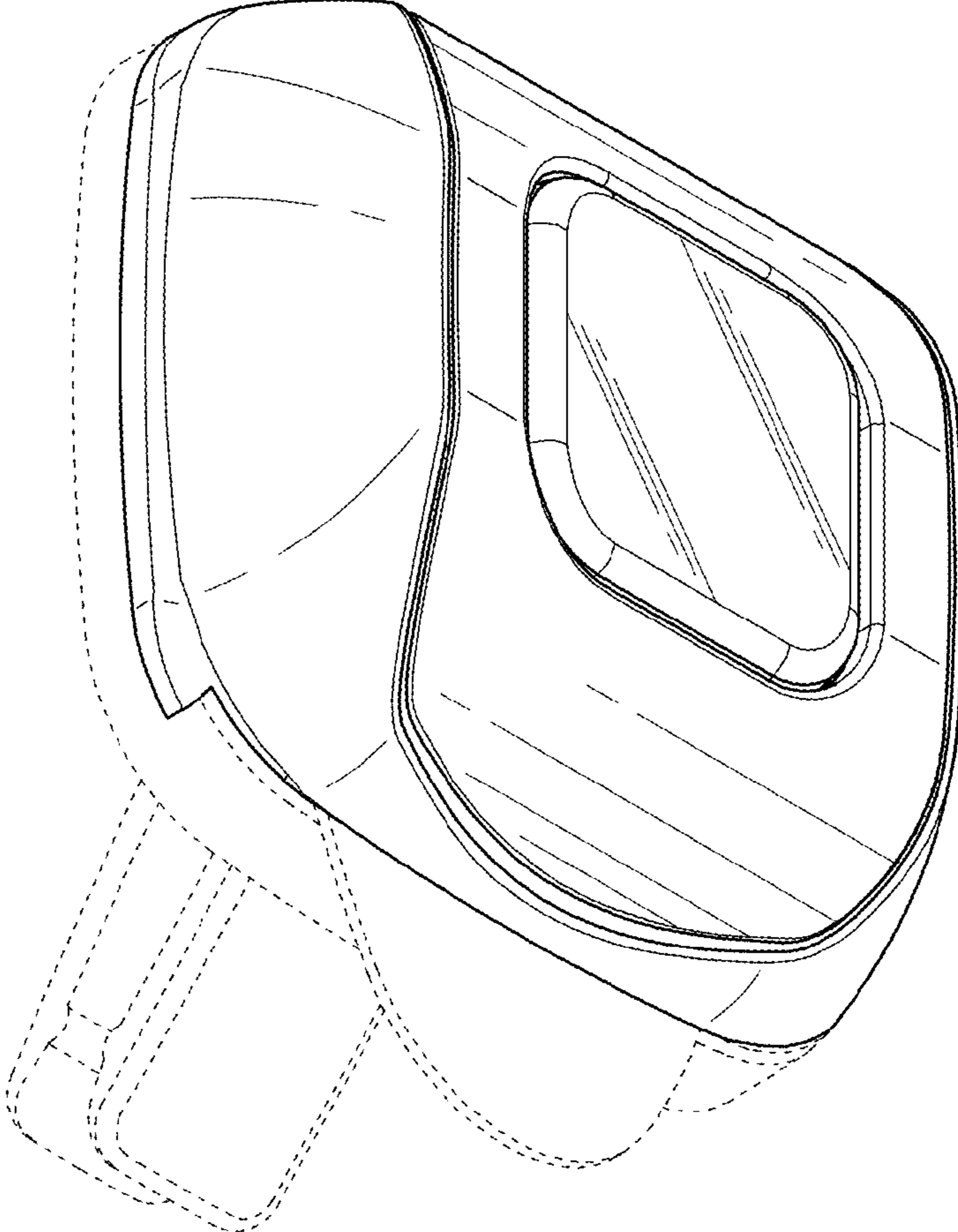


FIG. 1

FIG. 2



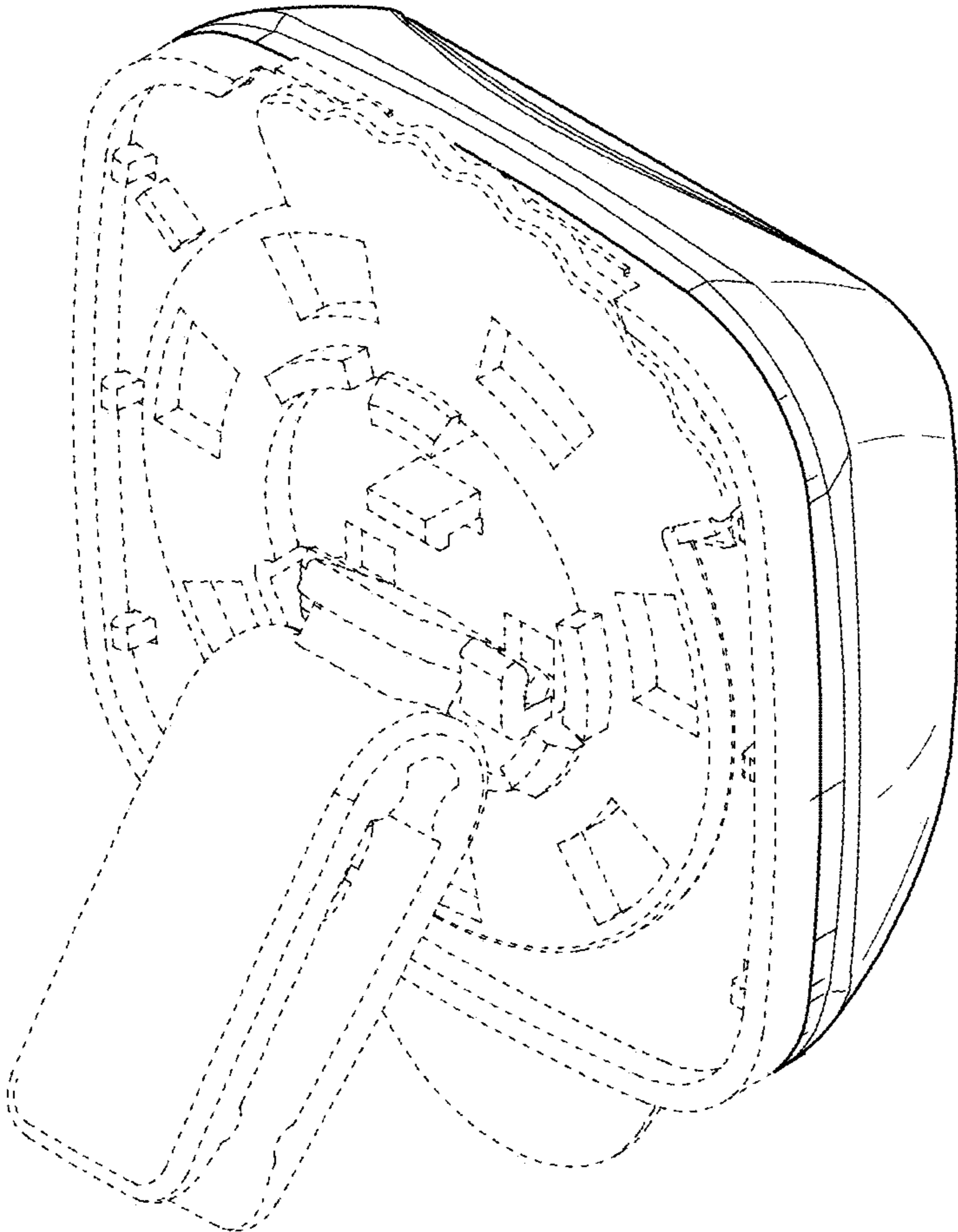


FIG. 3

FIG. 4

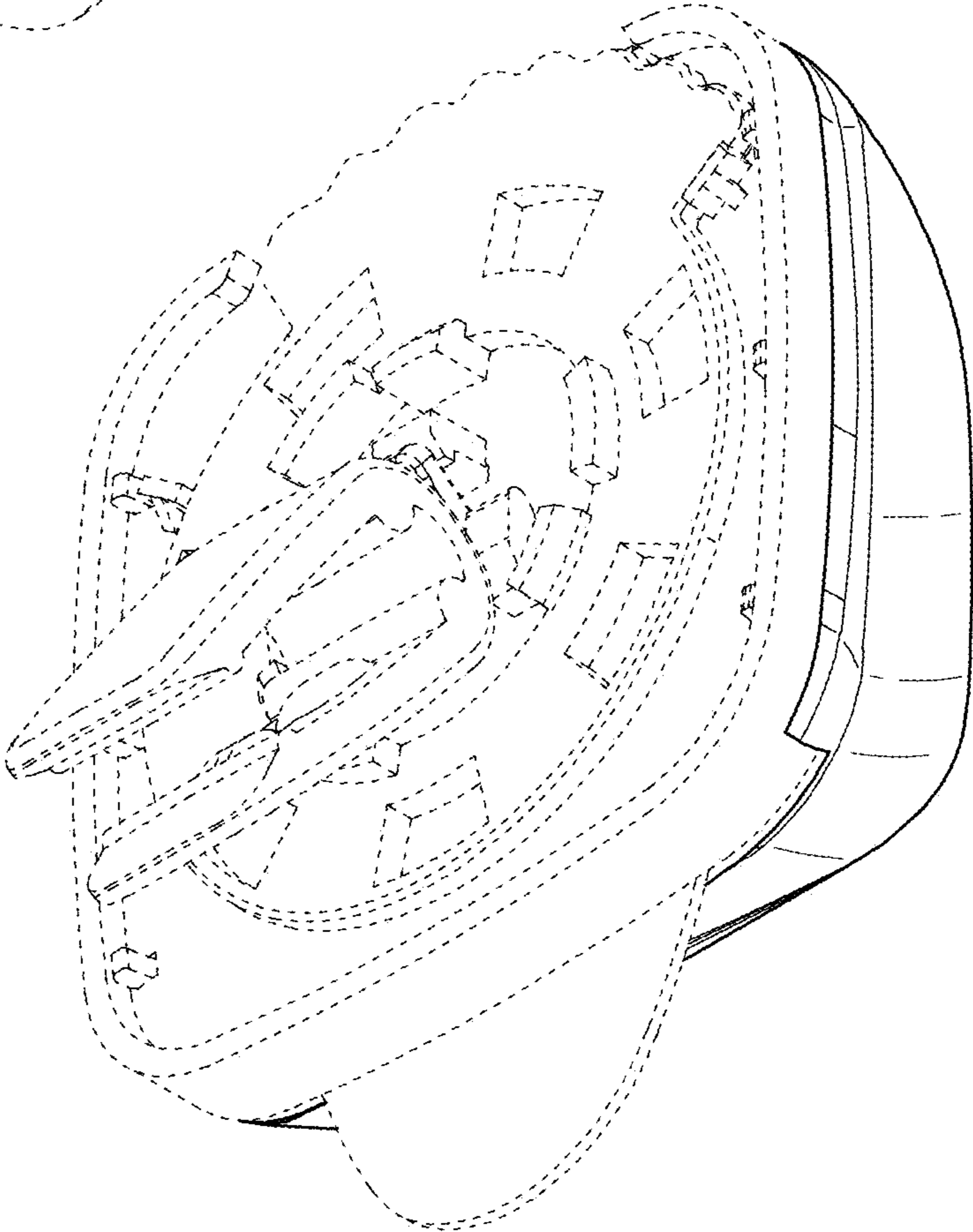


FIG. 5

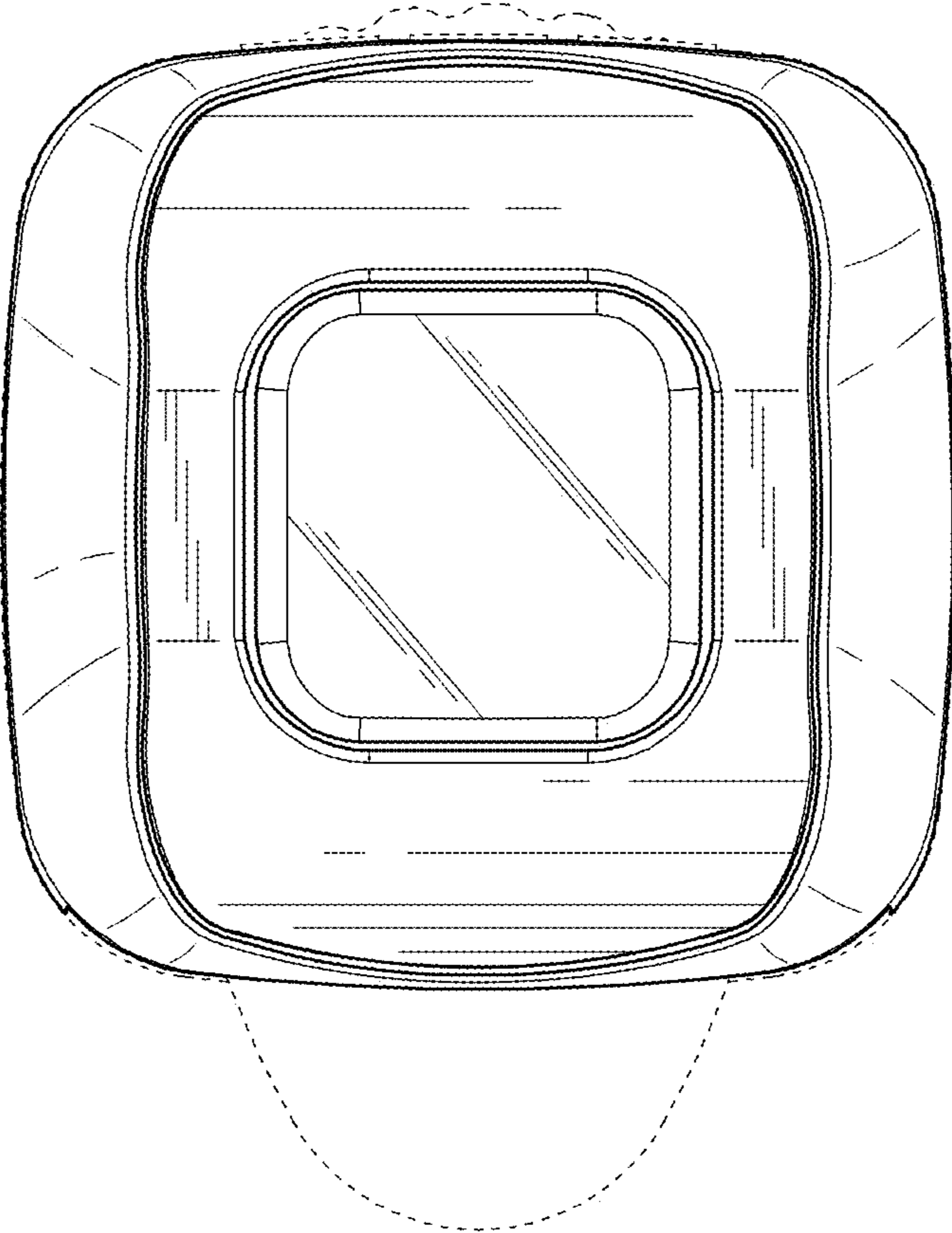
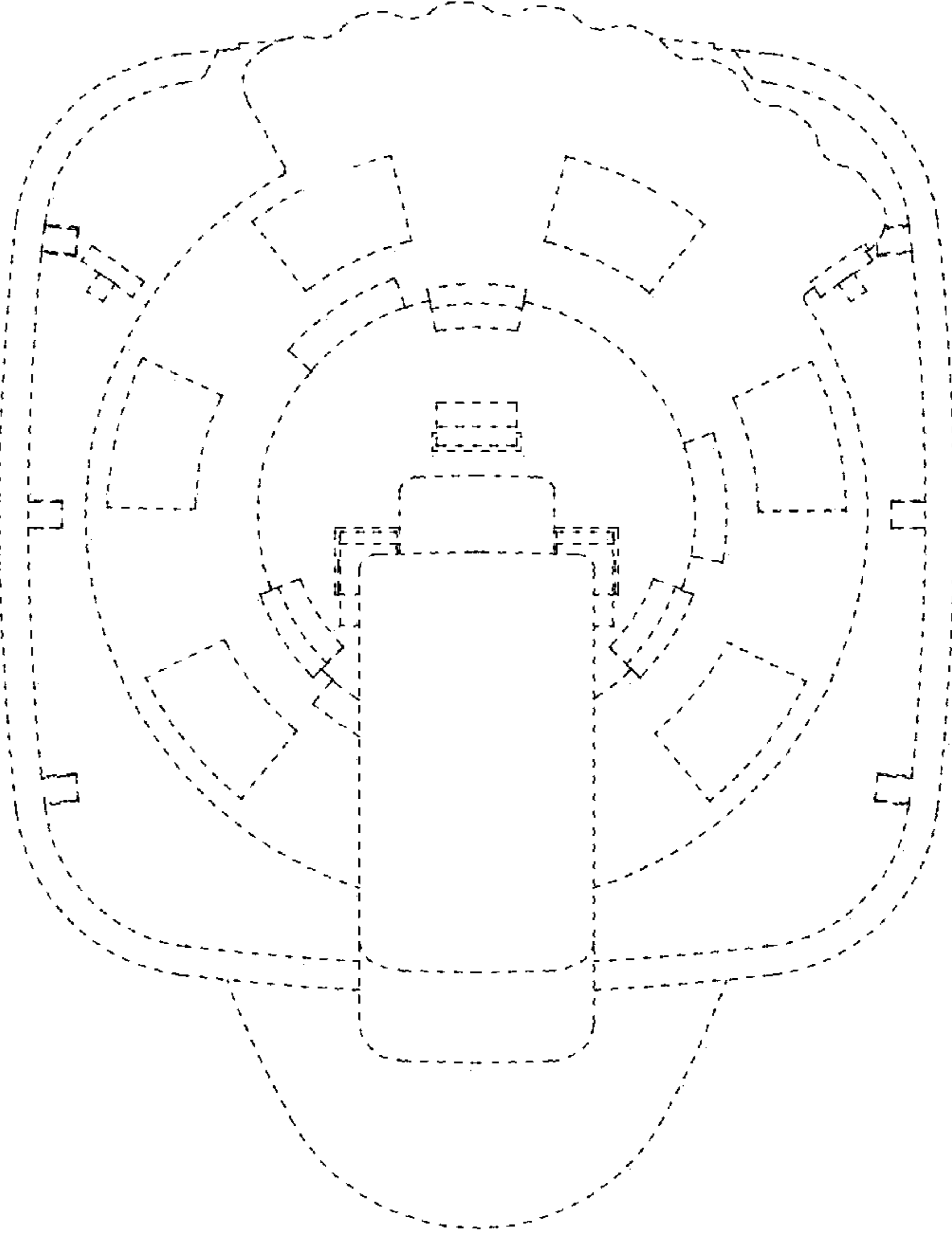


FIG. 6



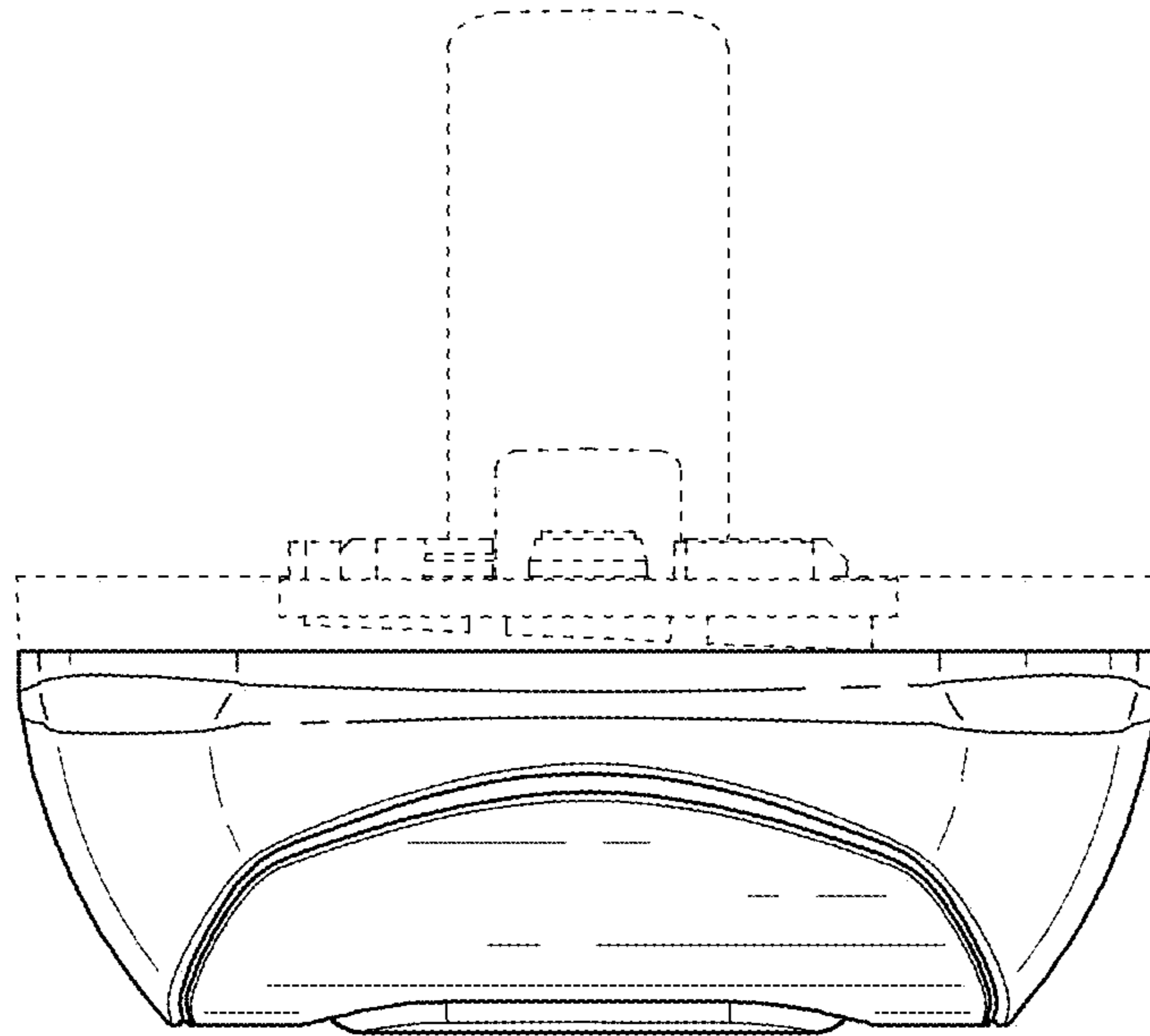


FIG. 7

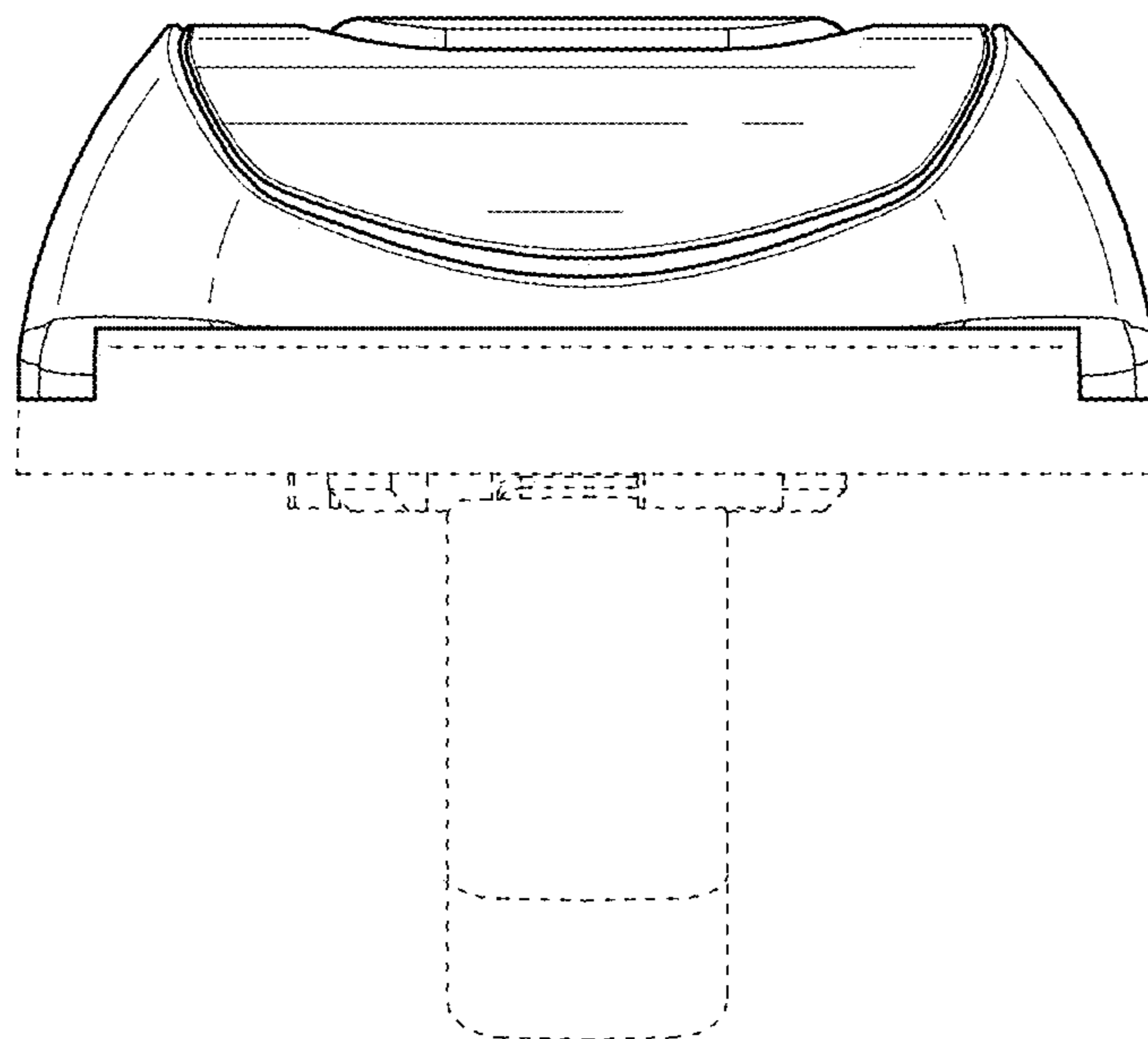


FIG. 8

FIG. 9

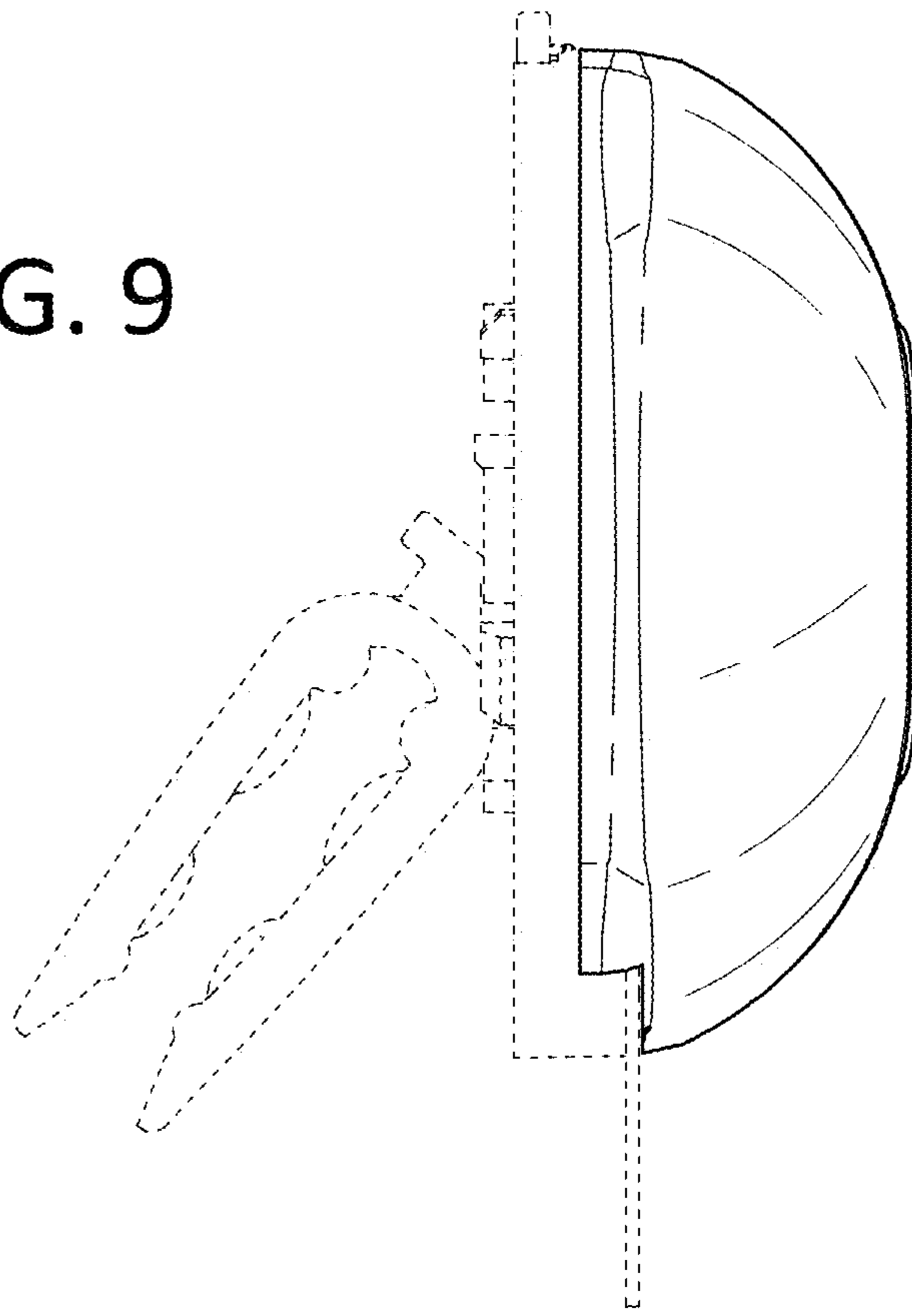


FIG. 10

